



Engine SN-85
VERSION 2017-8
SPARE PARTS MANUAL



PARTS LIST CATALOGUE

NORMS TO PLACE AN ORDER:

For fast and more efficient service, please specify the following information on spare parts orders that must be preferably done by FAX or e-mail as specified below:

- 1- Engine model: As shown in identification plate
- 2- Engine serial number: As shown in identification plate and stamped on crankcase
- 3- Item description + part number + quantity required

Spare parts requests must be addressed to:

recambios@solediesel.com

Telf.: +34 93 775 44 05

Fax: +34 93 775 30 13

The components shown in the catalog have:

- Figure: Number by which they are represented in scheme
 - Description: Trade name of the component
 - Quantity: Total number of parts used in the assembly of the part represented (may differ from the total minimum quantities)
- Hoses, indicates the total length in meters
-

The diagrams shown in this catalog of spare parts, have only the purpose to identify the piece in question, its representation is not meaningful and may differ from the actual piece.

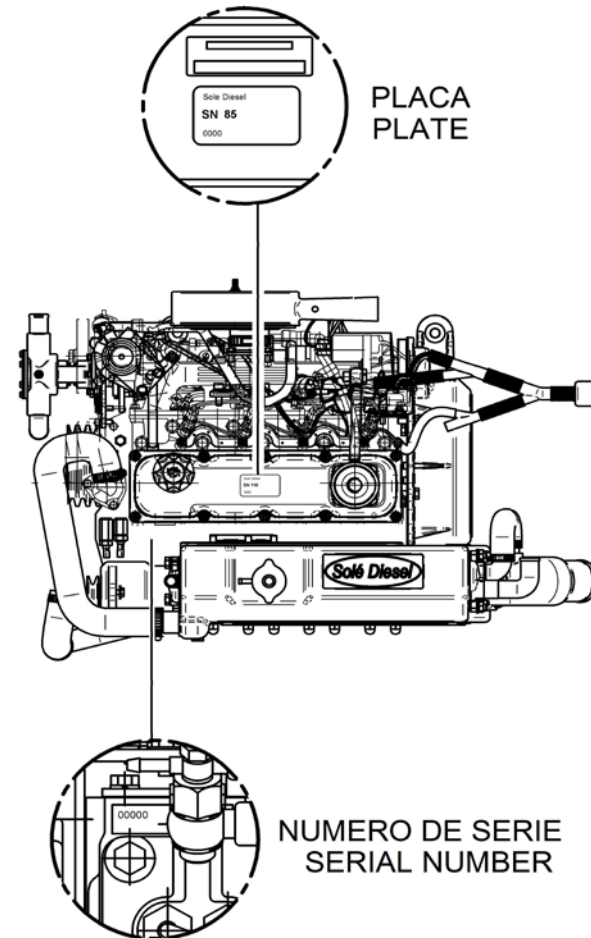
In case of doubt, contact Solé Diesel, or your authorized dealer.

The parts i / or references in this catalog are subject to change without notice.

SOLÉ, S.A.

C-243b, Km, 2 - P.O. BOX 15
08760 Martorell (Barcelona) Spain

Download the latest version of this manual [HERE](#)



Contents



Engine Body

Cylinder Head & Rocker Cover
Timing Parts
Timing Gear Case
Crankcase
Piston & Connecting Rod
Crankshaft & Flywheel
Oil System
Oil Pan & Pump
Engine Brackets
Bracket, Engine Control
Oil Cooler

Inlet & Exhaust

Inlet

Cooling System

Water Pump
Cooler Pipes
Water Cooler

Fuel System

Fuel Pipe
Injection Nozzle
Fuel Filter

12V Electrical System

Kit Alternator 12V/70A
Kit Alternator 14V/110A
Parts Starter
12V Electrical Wiring
Panel SN-85/110 (SN-85 N° < 717845)
Panel SN-85/110 (SN-85 N° > 717844)
Deluxe Instrument Panel 12V

Maintenance Kit

Gasket Kit

Kit Dry Exhaust With Flexible Pipe

Kit Gearbox

Kit Bobtail
Kit GearBox TM-93
Kit GearBox TM-345/A

Kit GearBox BORG WARNER

Kit GearBox ZF-63

Kit SPROP60 for SN-85

Kit GearBox TMC-260

Electrical System

Kit 2nd Alternator 28V/55A

Kit Water Leak Sensor & Alarm SP60 12V

Other Kits

Kit Trolling Valve for TM-93

Kit Trolling Valve for TM-345/A

Exhaust System

Exhaust Flange (S)

Kit Dry Exhaust Flexible Pipe & Silencer

Power Take-off Pulley

Kit Pulley & Power Take-off 3A

Kit Power Take-off D40

Kit Power Take-off D30

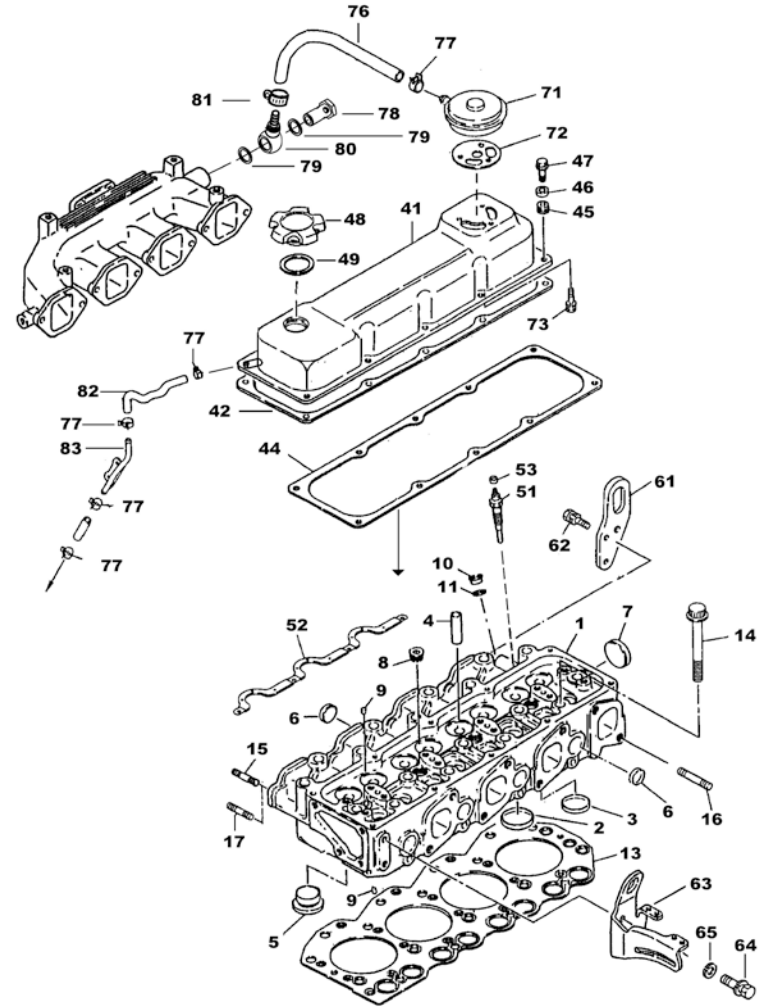
Kit Keel Cooling

Kit Refroid. Quille et Esc.Sec TM-93/345

Kit Instrument Panel SVT

Kit 2nd Panel SVT 40 SN-85/110 12V

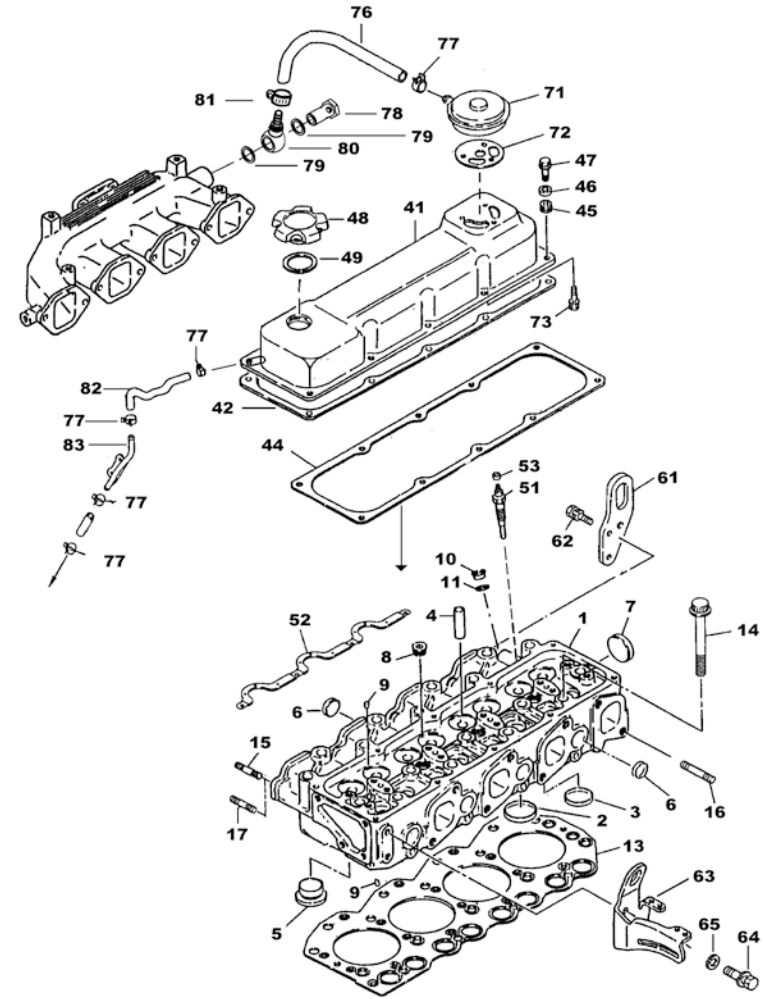
D_SN85_1_1		Cylinder Head & Rocker Cover			
FIG.	REF.	QTY	DESCR.	FROM	UPTO
1-11	18321001	1	Head Assy Cylinder		
2	18321061	4	Seat Valve,Intake		
3	18321062A	4	Seat Valve Exhaust +0,2		
3	18321062B	4	Seat Valve Exhaust +0,4		
3	18321062	4	Seat Valve,Exhaust		
4	18221002	8	Guide Valve		
5	18321016	4	CHAMBER Assy COMBUSTION		
6	18220022	7	Cap Sealing [NP]		
7	18220016	2	Plug		
8	18221014	3	Plug		
9	18221019	2	Plug		
10	18321018	4	PROTECTOR Nozzle		
11	18221015	4	Gasket		
13	18321006	1	Gasket Cylinder Head GRADE 3		
13	18321005	1	Gasket Cylinder Head GRADE 2		
13	18321004	1	Gasket Cylinder Head GRADE 1		
14	18221013	18	Bolt,cylinder head		
15	18221023	2	Stud [NP]		
41	18321009	1	Cover Assy Valve		
42	18221010	1	Gasket Cover		
45	18221059	10	Rocker Cover Washer		
46	18221058	10	Washer		
47	18221012	10	Bolt Cover		
48-49	18221003	1	Cap Oil FILLER		
49	18221017	1	Gasket Oil Filler		
51	18227017	4	Plug Glow		
52	18227018	1	CABLE Assy		
53	18227019	4	Nut,flange-glow plug [NP]		
61	18321011	1	SLINGER Engine		
62	18221008	2	Bolt		
63	18227007	1	BRACE Generator [NP]		
64	18227005	2	Bolt		
65	18221069	2	Washer		
71	18221066	1	Valve Assy Air [NP]		
72	18221065	1	Gasket		



[NP] Not provided

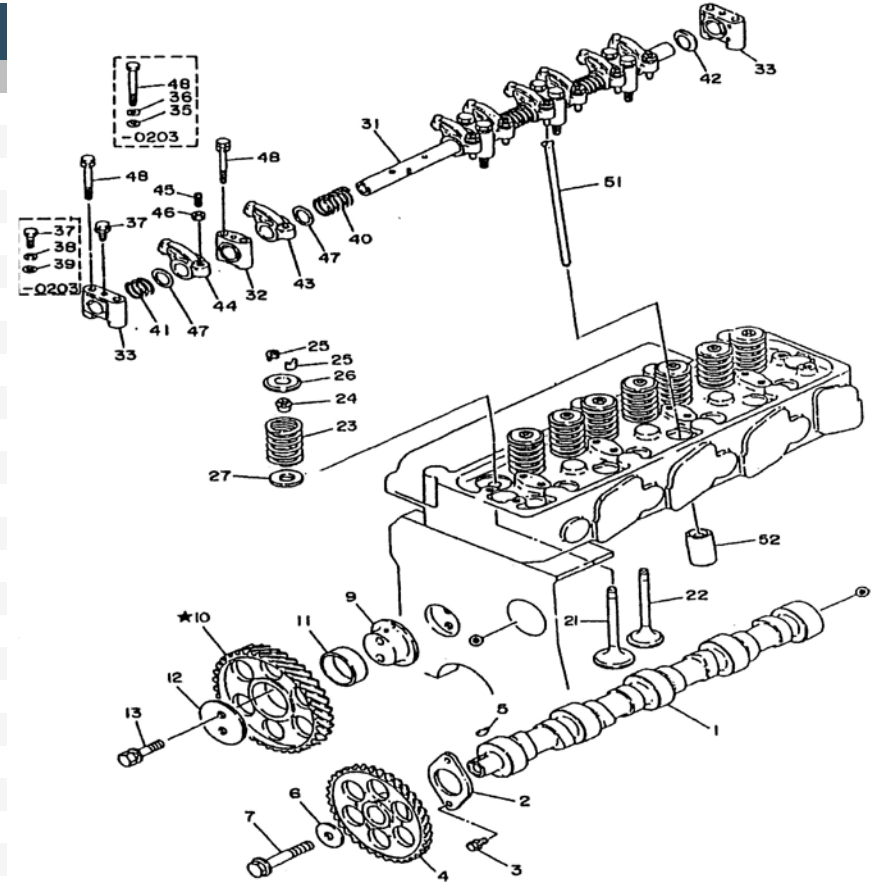


D_SN85_1_1		Cylinder Head & Rocker Cover			
FIG.	REF.	QTY	DESCR.	FROM	UPTO
73	18221024	3	Bolt		
74	18220098	1	Clamp		
75	18220063	1	Bolt		
76	18220096	1	Hose 9-17-185		
77	18220099	2	Clamp		
78	16514022	1	Coupling,screw		
79	57000378	1	Washer 18-24-1,5		
80	18210015	1	COLLAR Union		
81	54081008	1	Clamp DIN 3017 8-16 W4		
84	54081008	1	Clamp DIN 3017 8-16 W4		

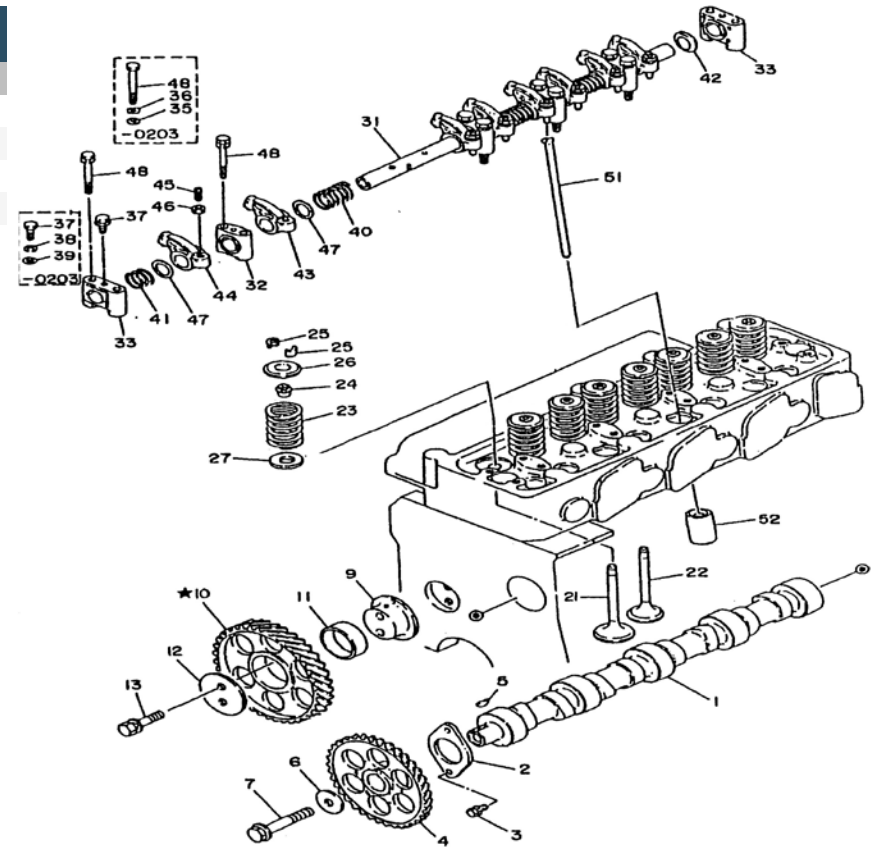




D_SN85_1_4		Timing Parts			
FIG.	REF.	QTY	DESCR.	FROM	UPTO
1	18222035	1	CamShaft Assy		
2	18222074	1	Plate,CamShaft		
3	18222070	2	Bolt		
4	18222037	1	Gear CamShaft		
5	18222069	1	KEY		
6	18222025	1	Washer Plain		
7	18222071	1	Bolt		
8	18221069	1	Washer		
9	18222066	1	INTERMEDIATE Shaft		
10-11	18222065	1	Gear IDLER		
11	18222036	1	Bush		
12	18222067	1	Plate IDLER Gear		
13	18222072	2	Bolt		
21	18322055	4	Intake Valve		
22	18322056	4	Exhaust Valve		
23	18222057	8	Spring Valve		
24	18222054	8	Seal Oil,Valve		
25	18222059	16	COLLET Valve		
26	18222058	8	Retainer Valve Spring		
27	18222052	8	Seat Valve Spring,INNER		
31	18222046	1	Shaft Rocker		
32	18222050	4	Bracket Rocker Shaft		
33	18222051	2	Bracket Rocker Shaft		
35	18222064	12	Washer		
36	18222063	12	Washer		
37	18222034	2	Bolt		
38	18222038	2	Washer		
39	18222039	2	Washer		
40	18222047	3	Spring Shaft Rocker INSIDE		
41	18222048	1	Spring Rocker		
42	18222049	1	Retainer Rocker Shaft		
43	18222042	4	Rocker Valve		
44	18222043	4	Rocker Valve		
45	18222044	8	Screw Adjusting		
46	18222045	8	Nut LOCK Rocker PIVOT Screw		

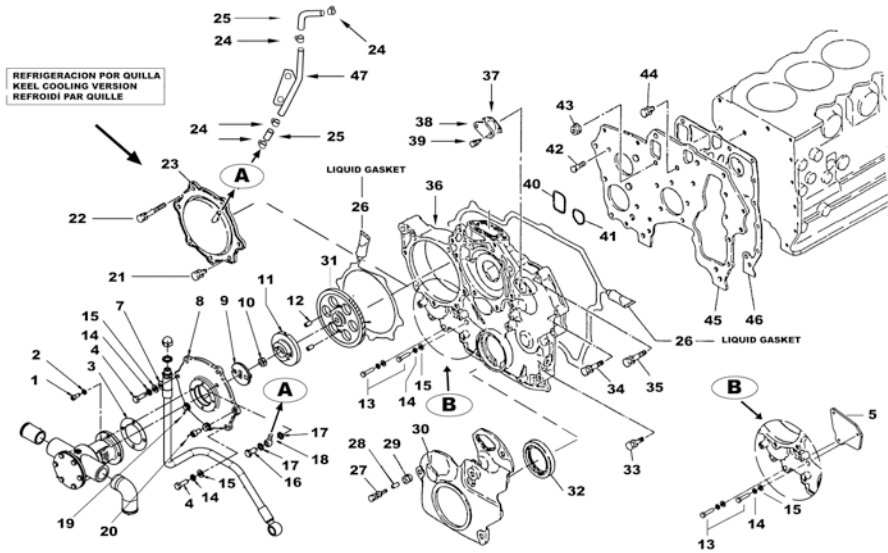


D_SN85_1_4		Timing Parts			
FIG.	REF.	QTY	DESCR.	FROM	UPTO
47	18222073	8	Washer PIVOT		
48	18222062	12	Bolt		
51	18222041	8	Gauge ROD PUSH		
52	18222040	8	LIFTER Valve		



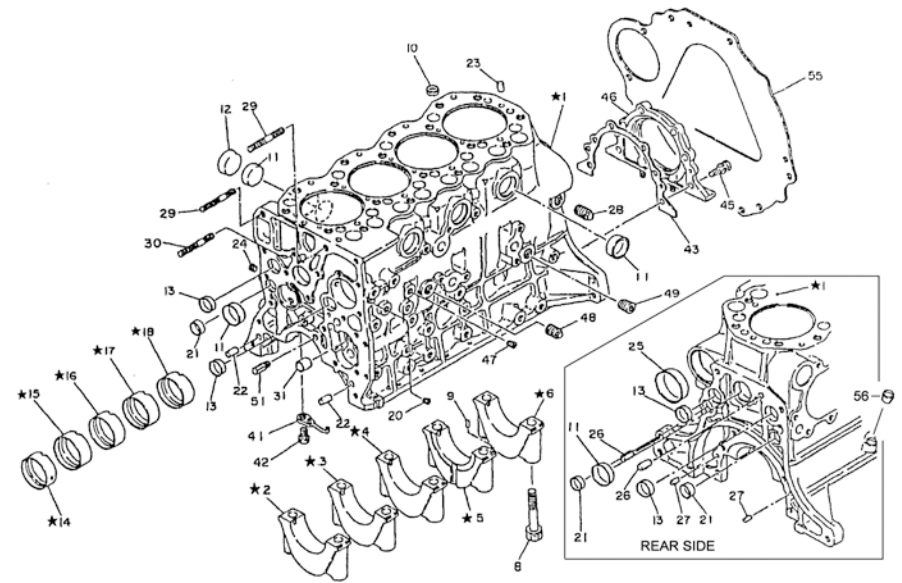


D_SN85_1_5		Timing Gear Case			
FIG.	REF.	QTY	DESCR.	FROM	UPTO
1	52103156	4	Bolt DIN 912 M6-16 8.8		
2	53033006	4	Washer GROWER DIN 127-6		
3	13310013	1	Gasket,water pump		
4	52102258	3	Bolt DIN 933 M8-25 8.8		
5	18210014	1	Cover		
7	18220098	1	Clamp		
8	18210010	1	Block,Water Pump		
9	15310072	1	CrossHead		
10	18225004	1	Nut		
11	15310072	1	CrossHead		
12	18210072	2	Shaft		
13	52102260	2	Bolt DIN 933 M8-35 8.8		
14	53033008	6	Washer GROWER DIN 127-8		
15	51030008	6	Washer DIN 125-8		
16	16713009	1	Bolt,eye		
17	56000061	1	Washer 10-16-1,5		
18	18210009	1	Coupling Ball		
19	52101166	1	Bolt DIN 931 M6-65 8.8		
20	52103258	1	Bolt DIN 912 M8-25 8.8		
21	52103258	1	Bolt DIN 912 M8-25 8.8		
23	18220046	1	Cover		
24	18220099	3	Clamp		
26	NU028.75	1	NURAL 28 ORANGE 75ML		
31	18222068	1	Gear Injection Pump		
32	18220039	1	Seal Oil		
34	18220066	3	Bolt		
35	18220065	3	Bolt		
36	18220048	1	Case Front Cover		
38	18220071	1	Cover Front		
40	18220068	1	Gasket		
41	18220069	1	Gasket		
43	18220082	1	Nut		
44	18220063	9	Bolt		
45	18220035	1	Plate, Front		
46	18220019	1	Gasket Plate		





D_SN85_1_6		Cranckcase			
FIG.	REF.	QTY	DESCR.	FROM	UPTO
1	18320001	1	Block Assy-Cylinder		
8	18220009	10	Bolt Bearing Cap		
9	18220053	1	Pin		
10	18220015	8	Plug		
11	18220016	11	Plug		
12	18220021	1	Plug		
13	18220022	4	Cap Sealing [NP]		
14-18	18220055	1	Bush Set -0,25		
14-18	18220056	1	Bush Set -0,50		
14-18	18220057	1	Bush Set -0,75		
14-18	18220054	1	Bush Set STD.		
20	18220045	1	Plug		
21	18220015	3	Plug		
22	18220014	2	Pin		
23	18220012	2	Pin		
24	18220045	2	Plug		
25	18220023	1	Plug-WELCH		
26	18220014	2	Pin		
27	18220013	2	Pin		
29	18220036	2	Stud		
30	18220058	1	Stud Oil Filter		
31	18220060	1	Bush Oil Pump		
32	18320044	1	Plug		
33	18320045	1	Plug		
41	18320051	4	JET Assy,Oil		
42	18220052	4	Bolt		
43	18220017	1	Gasket,Retainer		
45	18220037	6	Bolt		
46	18220018	1	Seal Oil,CrankShaft		
47	18220045	1	Plug		
51	18220059	1	JET Oil,TIMING Chain		
55	18320047	1	Cover Front		
56	18220049	1	Plug		
61	18220044	1	Plug		
NS	18220024	1	Plate,Engine REAR [NS]		

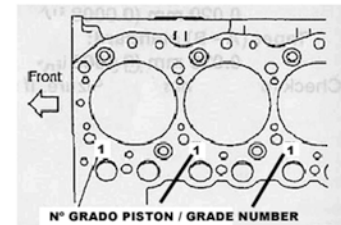
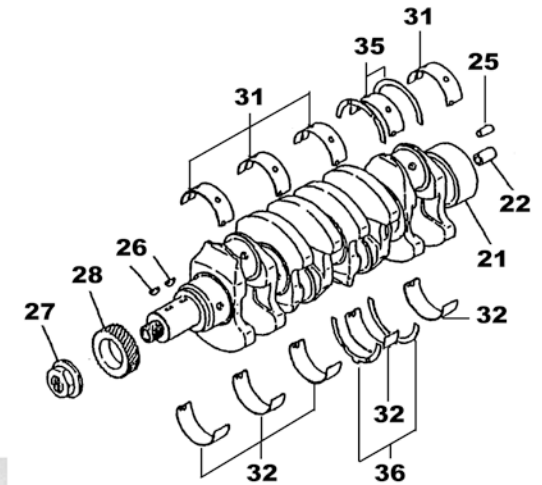
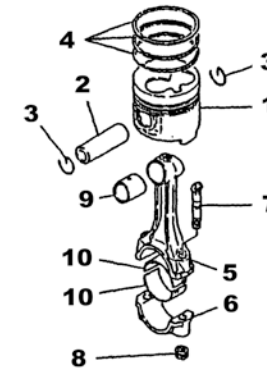


[NP] Not provided
 [NS] Not shown





D_SN85_1_8		Piston & Connecting Rod			
FIG.	REF.	QTY	DESCR.	FROM	UPTO
1-3	18322003	4	Piston With Pin		
3	18322009	8	Ring SNAP		
4	18322007	1	Ring Set,Piston		
4	18322006	1	Ring Set,Piston		
5-9	18322012	4	ROD Complet,CONNECTING		
7	18222013	8	Bolt,connecting rod		
8	18222011	8	Nut,connecting rod		
9	18322033	4	Bush Piston Pin		
*1-3	18322001	4	Piston With Pin GRADE 1		
*1-3	18322002	4	Piston With Pin GRADE 2		
10	18222015	8	Bearing Connecting Rod -0,25		
10	18222016	8	Bearing Connecting Rod -0,50		
10	18222014	8	Bearing Connecting Rod STD.		
10	18222019	8	Bearing Connecting Rod -1,00		
10	18222017	8	Bearing Connecting Rod -0,75		
21-22	18322018	1	CrankShaft Assy		
22	18222030	1	Bushing CrankShaft		
25	18222028	1	Pin		
26	18222020	2	KEY		
27	18222026	1	Nut Pulley,CrankShaft		
28	18222021	1	SPROCKET CrankShaft		
31-32	18220004	1	Bearing Set CrankShaft -0,25		
31-32	18220006.1	1	Bearing Set,CrankShaft -1,00		
31-32	18220006	1	Bearing Set,CrankShaft -0,75		
31-32	18220003	1	Bearing Set CrankShaft STD.		
31-32	18220005	1	Bearing Set,CrankShaft -0,50		
35-36	18220028	1	Washer Set,THRUST +0,20		
35-36	18220025	1	Washer Set,THRUST T=2,325		
35-36	18220028.1	1	Washer Set,THRUST +0,40		
35-36	18220027	1	Washer Set,THRUST T=2,375		
35-36	18220026	1	Washer Set,THRUST T=2,350		

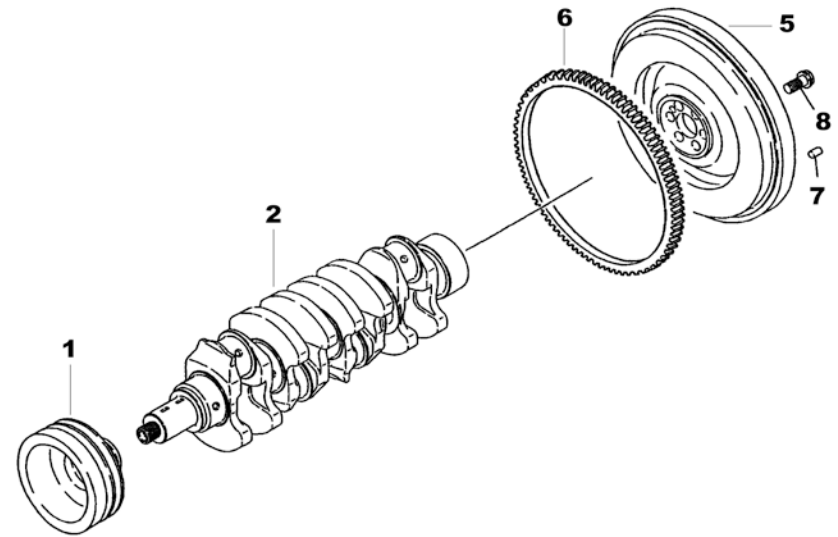


(*) Número grabado en bloque motor. Pedir recambio según este número. Desmontar junta y culata para ver este número.
 (*) Number writted at the top Block Assy-cylinder. Order the piston depending this number. Dismantle the cylinder head and its joint to read the number.





D_SN85_1_9		Crankshaft & Flywheel			
FIG.	REF.	QTY	DESCR.	FROM	UPTO
1	18222024	1	Pulley CrankShaft [NP]		
2	18322018	1	CrankShaft Assy		
5-6	18322027.1	1	Flywheel		
6	18222029	1	Gear Ring		
7	18220013	3	Pin		
8	18222031	6	Bolt Flywheel		

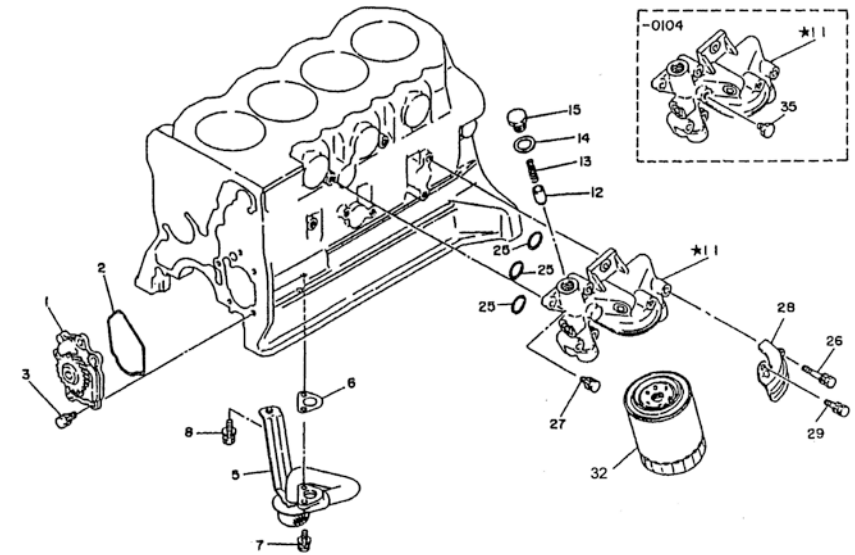


[NP] Not provided





D_SN85_1_10		Oil Sysem				
FIG.	REF.	QTY	DESCR.	FROM	UPTO	
1	18324040	1	Pump Assy Oil			
2	18224041	1	Gasket Oil Pump			
3	18221008	5	Bolt			
5	18324052	1	STrainer Assy Oil			
6	18224053	1	Gasket Oil STrainer			
7	18221008	2	Bolt			
8	18220063	1	Bolt			
11-15	18324056	1	Bracket Oil Filter [NP]			
12	18224043	1	Valve Assy Oil REGULATOR			
13	18324044	1	Spring Valve			
14	18224057	1	Washer			
15	18224045	1	Plug			
25	18224076	3	O-Ring D. 24X3,5			
26	18220065	3	Bolt			
27	18221008	4	Bolt			
28	18224058	1	Protection Filter			
29	18220063	1	Bolt			
32	18224051	1	Filter,oil			

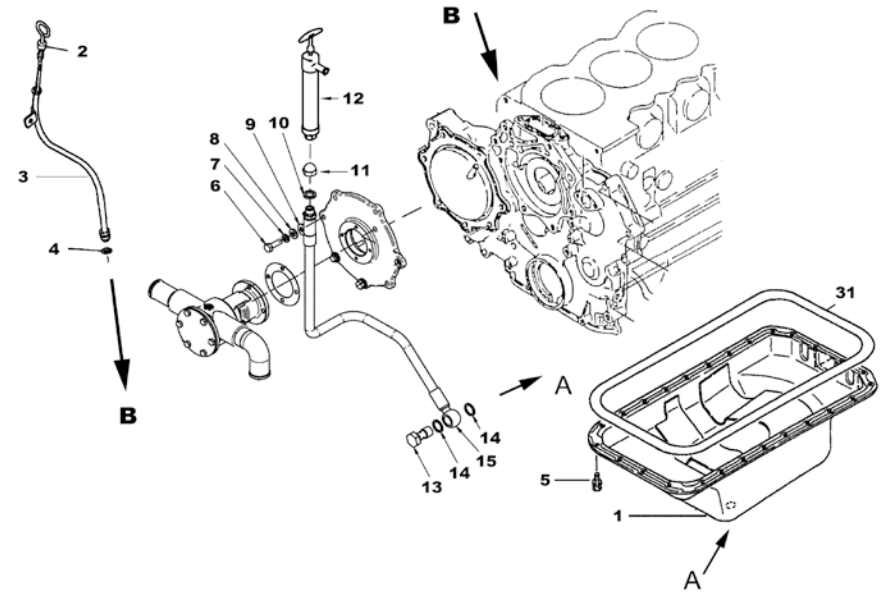


[NP] Not provided





D_SN85_1_11		Oil Pan & Pump				
FIG.	REF.	QTY	DESCR.	FROM	UPTO	
1	18320030	1	PAN,Assy Oil [NP]			
2	18320029	1	Gauge Oil LEVEL			
3	18220007	1	Guide Oil LEVEL Gauge			
4	18220029.1	1	DIPSTICK Oil O-Ring			
5	18220038	26	Bolt			
6	52102258	1	Bolt DIN 933 M8-25 8.8			
7	53033008	1	Washer GROWER DIN 127-8			
8	51030008	1	Washer DIN 125-8			
9	18220098	1	Clamp			
10	56000219	1	Washer 14-20-3			
11	16514020	1	Plug			
12	14714001	1	Pump,oil Suction			
13	14712015	1	Bolt,Coupling pipe oil			
14	57000375	2	Washer 17-22-1,5			
15	18214021	1	ExtraCTION, Hose			
31	18220033	1	Gasket,Oil PAN			

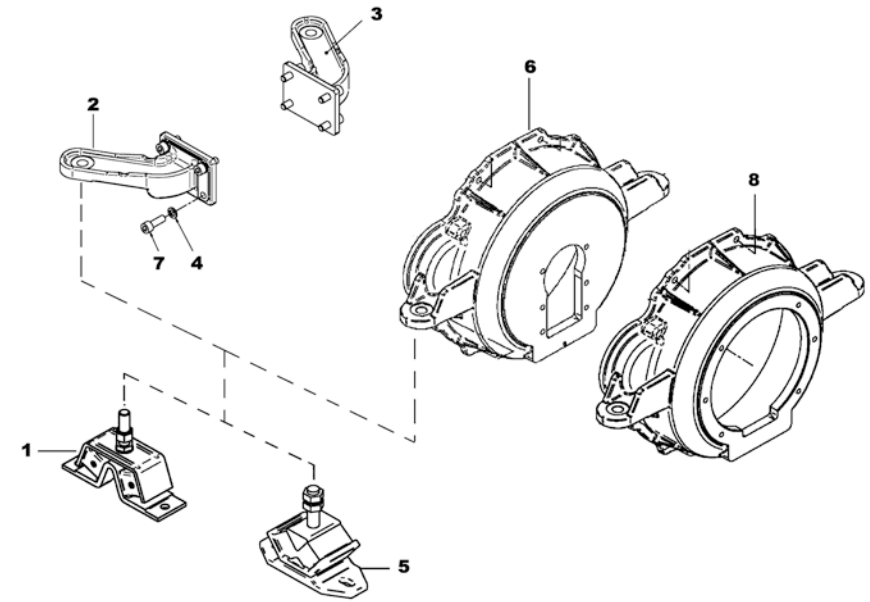


[NP] Not provided



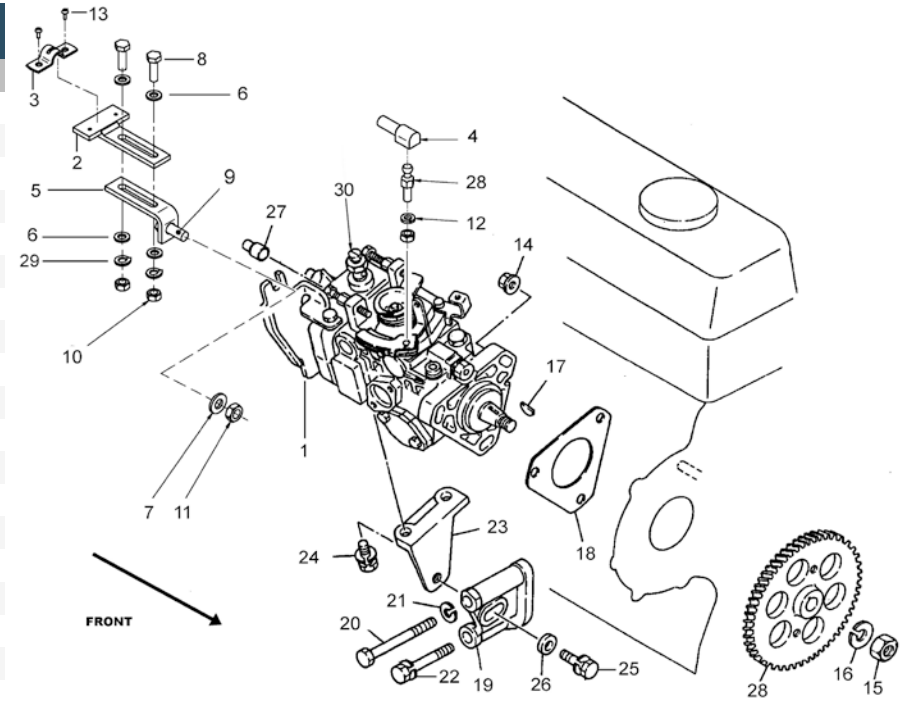


D_SN85_1_12		Engine Brackets			
FIG.	REF.	QTY	DESCR.	FROM	UPTO
1	61682000	4	Anti Vibration Mount Type E 75SHA		
2	18210002	1	Bracket Front,LEFT		
3	18210001	1	Bracket Front,RIGHT		
4	53033010	8	Washer GROWER DIN 127-10		
5	61685000	4	Anti Vibration Mount Type B 63SHA		
6	18210012	1	CARCASSE Type HURTH		
7	52103309	8	Bolt DIN 912 M10-30 8.8		
8	18210013	1	SAE 7 Bell Housing		



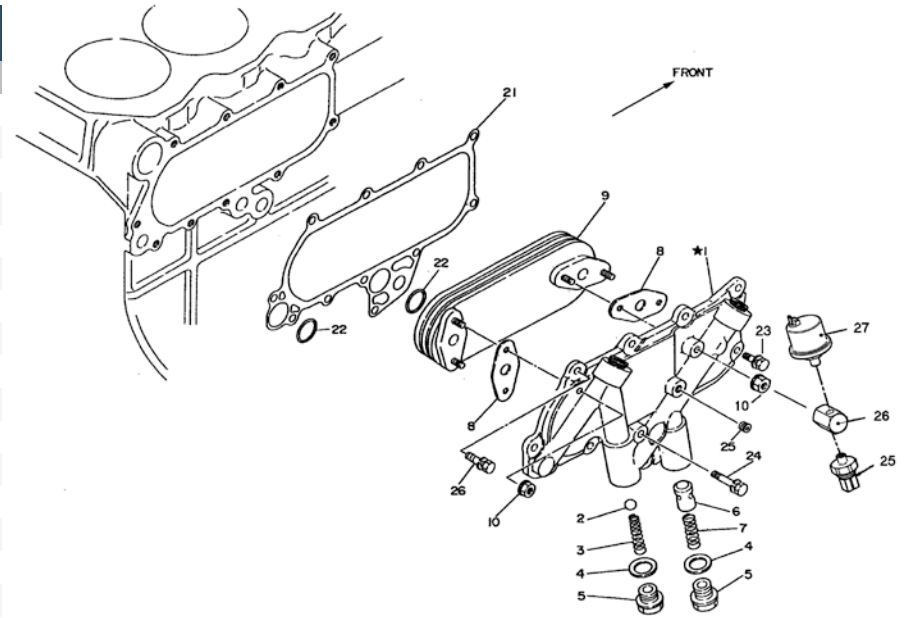


D_SN85_1_13		Bracket, Engine Control			
FIG.	REF.	QTY	DESCR.	FROM	UPTO
1	18325001	1	Pump Assy,Fuel Injection		
2	13319004	1	Bracket,adjustment morse engin		
3	14719013	1	Clamp,cable		
4	15119015	1	CABLE Holder Ball		
5	18219001	1	Bracket,Morse		
6	51030006	4	Washer DIN 125-6		
7	51030008	1	Washer DIN 125-8		
8	52102157	2	Bolt DIN 933 M6-20 8.8		
9	52102257	1	Bolt DIN 933 M8-20 8.8		
10	52120006	3	Nut DIN 934 M6 8.8		
11	52120008	1	Nut DIN 934 M8 8.8		
12	53033006	1	Washer GROWER DIN 127-6		
13	55307104	2	Bolt DIN 86 W3/16-10		
17	18225006	1	KEY		
18	18225007	1	Gasket		
19	18325008	1	Bracket,Pump		
20	18325009	1	Bolt		
21	18221069	1	Washer		
22	18325010	1	Bolt		
23	18225011	1	Bracket,Pump		
24	18220041	2	Bolt		
26	18325011	1	Bolt		
28	11114122	1	Ball JOINT		
28	18322068	1	Gear Drive		
29	53033006	2	Washer GROWER DIN 127-6		
30	18225300	1	Valve Assy		



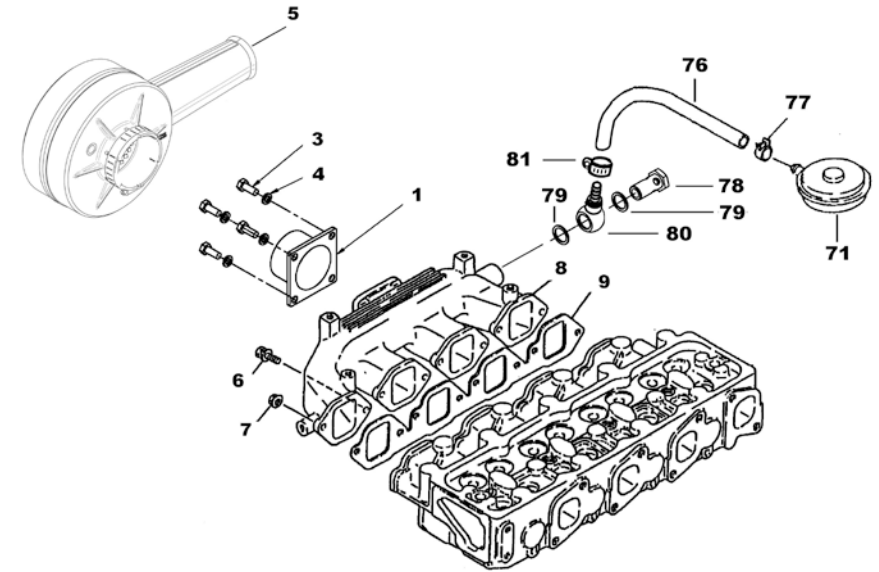


D_SN85_1_14		Oil Cooler				
FIG.	REF.	QTY	DESCR.	FROM	UPTO	
1-10	18222110	1	Cooler Assy Oil			
2	18224046	1	Valve			
3	18224044	1	Spring Oil REGULATOR			
4	18324047	2	Packing			
5	18224048	2	Plug			
6	18224049	1	Valve Assy RELIEF			
7	18224050	1	Spring Valve Oil			
8	18222112	2	Seal			
9	18222111	1	Element Oil Cooler			
10	18221033	4	Nut			
21	18322112	1	Gasket Oil Cooler			
22	18224076	2	O-Ring D. 24X3,5			
23	18221008	10	Bolt			
24	18220065	1	Bolt			
25	18227027	1	SWITCH Oil Pressure			
26	13417051	1	Bell Housing			
27	60900785	1	Oil Pressure Sender 12-24 V			
27*	60900985	1	Pressure Sensor			





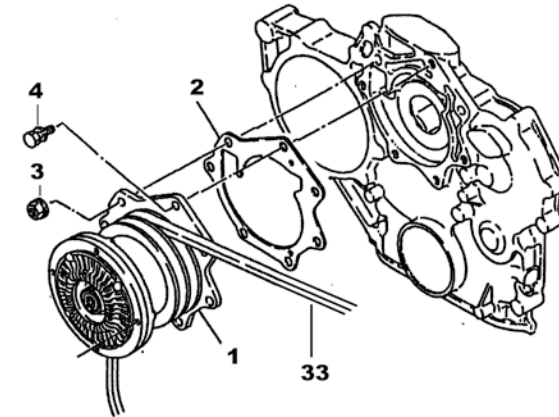
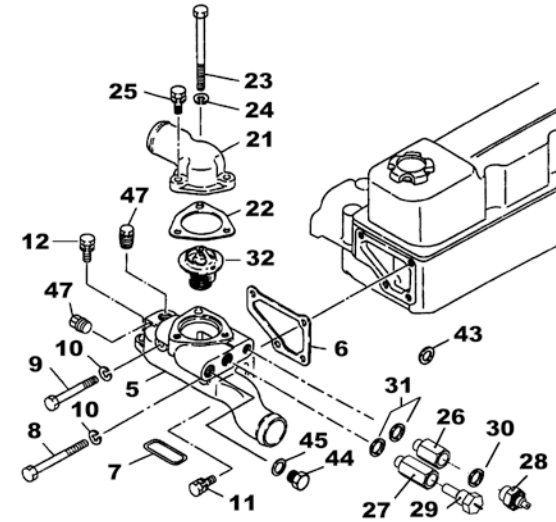
D_SN85_2_1		Inlet				
FIG.	REF.	QTY	DESCR.	FROM	UPTO	
1	18210020	1	Spacer, Air Filter			
3	52102257	4	Bolt DIN 933 M8-20 8.8			
4	53033008	4	Washer GROWER DIN 127-8			
5	18210030	1	Air Filter			
6	18220037	6	Bolt			
7	18221033	2	Nut			
8	18221030	1	MANIFOld Intake			
9	18221032	1	Gasket MANIFOld			
71	18221066	1	Valve Assy Air [NP]			
72	18221065	1	Gasket			
73	18221024	3	Bolt			
74	18220098	1	Clamp			
75	18220063	1	Bolt			
76	18220096	1	Hose 9-17-185			
77	18220099	2	Clamp			
78	16514022	1	Coupling,screw			
79	57000378	1	Washer 18-24-1,5			
80	18210015	1	COLLAR Union			
81	54081008	1	Clamp DIN 3017 8-16 W4			



[NP] Not provided



D_SN85_3_1		Water Pump				
FIG.	REF.	QTY	DESCR.	FROM	UPTO	
1	18321020	1	Pump Assy Water			
2	18221022	1	Gasket Water Pump			
3	18221026	2	Nut			
4	18221008	2	Bolt			
5	18321037	1	Housing Thermostat			
6	18221038	1	Gasket Thermostat Housing			
7	18221039	1	Gasket			
8	18221029	1	Bolt			
9	18221041	1	Screw			
10	18221042	2	Washer GROWER DIN 127-8 [NP]			
11	18221008	2	Bolt			
12	18220037	1	Bolt			
21	18221021	1	Outlet Water			
22	18221049	1	Gasket Water Outlet			
23	18221050	1	Bolt			
24	18221042	1	Washer GROWER DIN 127-8 [NP]			
25	18220037	2	Bolt			
26	18217015	1	Adapter			
27	18217014	1	Adapter			
28	60900070	1	Thermo-Switch 97°C			
29	60900780	1	Temperature SENDER 12 V			
29*	60900980	1	Temperature Sensor			
30	57000375	1	Washer 17-22-1,5			
31	56000015	2	Washer 12-19-2			
32	18221027	1	Thermostat 82°			
33	18221028	1	Belt Type A 43 1100			
47	18220044	1	Plug			

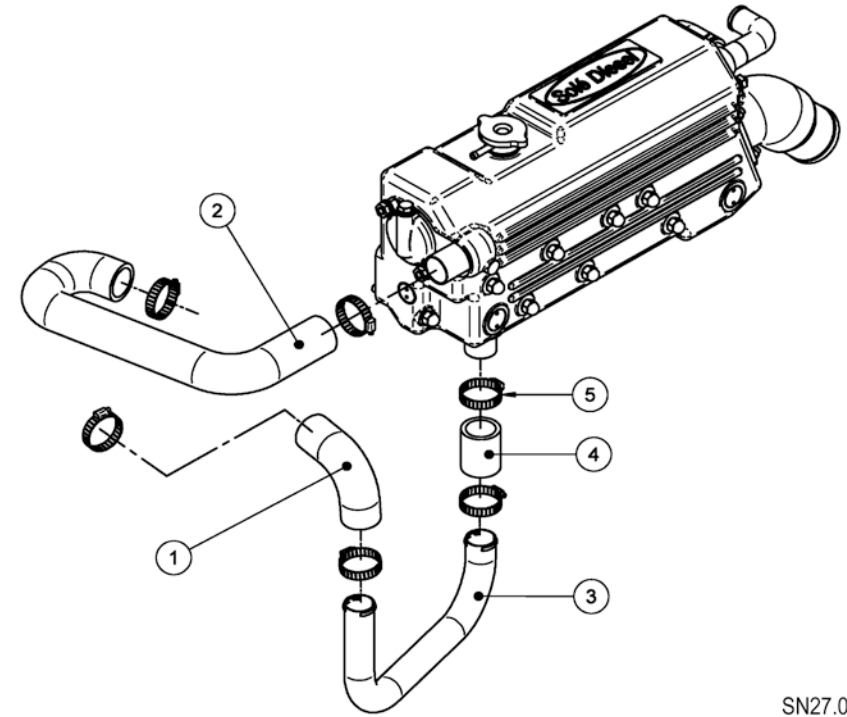


[NP] Not provided





D_SN85_3_2		Cooler Pipes				
FIG.	REF.	QTY	DESCR.	FROM	UPTO	
1	17111022	1	Elbow			
2	18211013	1	Pipe			
3	18211016	1	Pipe			
4	18211021	6	Pipe 38-50-60			
5	54082032	1	Clamp DIN 3017 32-50/12 W4			

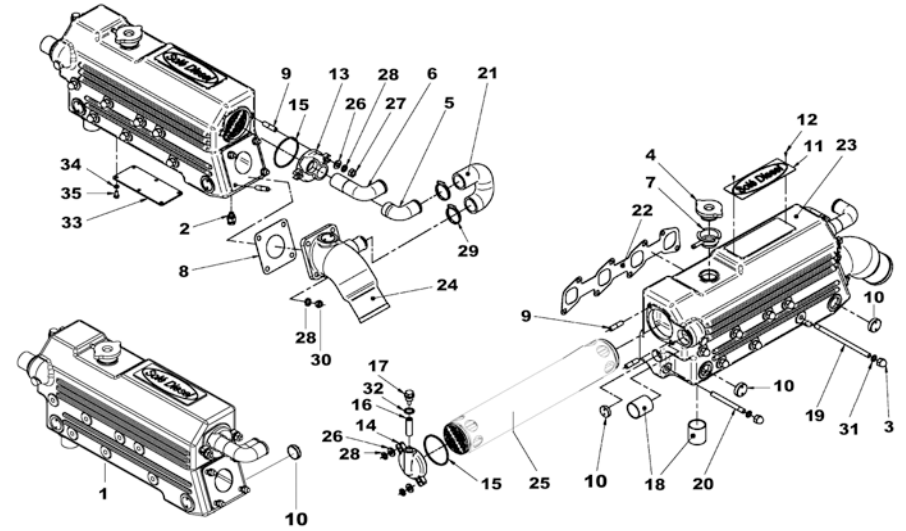


SN27.0





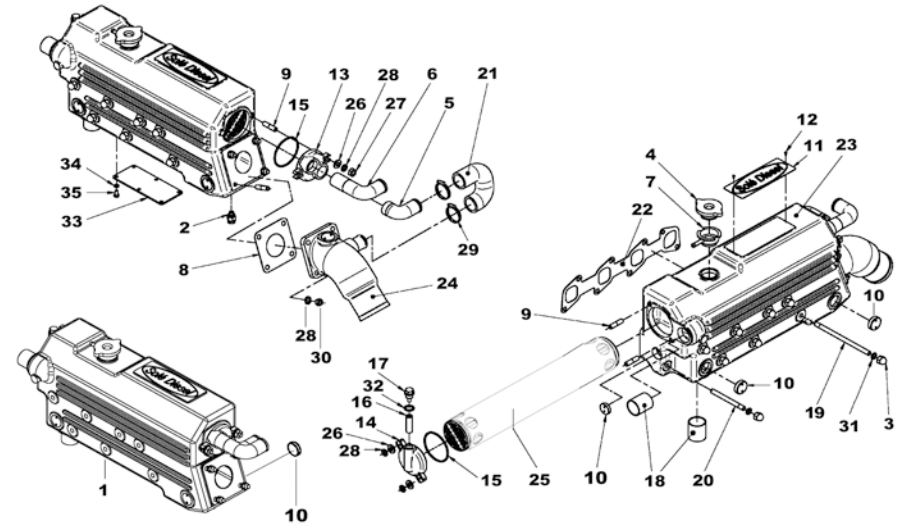
D_SN85_3_3		Water Cooler			
FIG.	REF.	QTY	DESCR.	FROM	UPTO
1	18211000	1	Water Cooler		
2	13111038	1	Bolt DIN 933 M10-15 8.8		
3	13511013	8	Nut DIN 1587 M10		
4	14711003	1	Cap [NP]		18/01/2017
4	14711003.1	1	Cap	19/01/2017	
5	14711021	1	Hose N° 1		
6	14711028	1	Hose N° 4		
7	15111002R	1	Cap,mouth		
8	16513002	1	Exhaust Elbow Gasket		
9	16511007	8	Stud		
10	16513004	4	Plug 1"		
11	17111060	1	Plate "SOLE Diesel" [NP]		
12	17111062	2	Bolt		
13	17411003	1	Cover, water cooler		
14	18011002	1	Cover Front,water cooler		
15	18011008	2	O-Ring D. 72X3		
16	18011031	1	Engine Anode		
17	18011009	1	Anode Plug		
18	18211012	2	Outlet Coupling 1 1/4"		
19	18211015	7	Stud		
20	18211015.1	1	Stud		
21	18211034	1	Pipe,Rubber		
22	18221035	1	Gasket, Exhaust		
23	18211001	1	Body,Water Cooler [NP]		
24	18213015	1	Wet,Bend		
25	19011004	1	Element,water cooler		
26	51030010	4	Washer DIN 125-10		
27	52120010	4	Nut DIN 934 M10 8.8		
28	53033010	8	Washer GROWER DIN 127-10		
29	54082032	2	Clamp DIN 3017 32-50/12 W4		
30	55120110	4	Nut DIN 934 M10		
31	56000061	8	Washer 10-16-1,5		
32	56000073	1	Copper Washer 16-23-1,5		
33	18211002	1	Cover		
34	53033006	6	Washer GROWER DIN 127-6		



[NP] Not provided

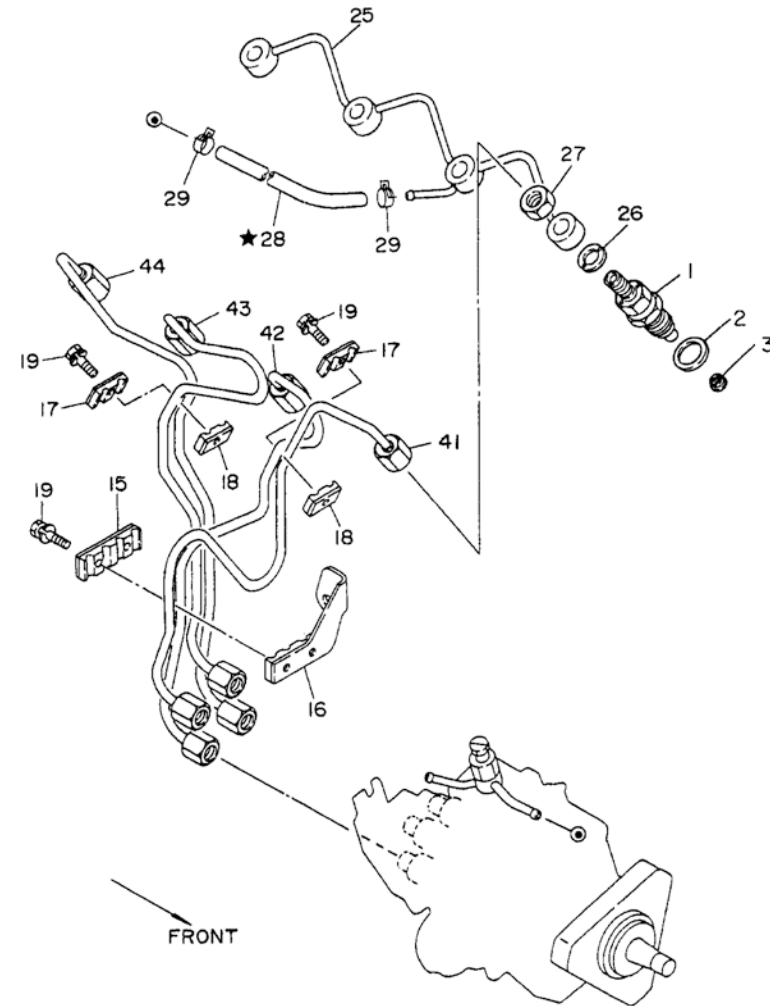


D_SN85_3_3		Water Cooler			
FIG.	REF.	QTY	DESCR.	FROM	UPTO
35	52102155	6	Bolt DIN 933 M6-12 8.8		
36	52102155	6	Bolt DIN 933 M6-12 8.8		





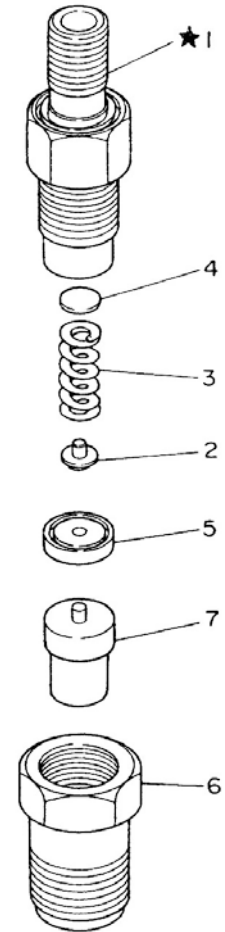
D_SN85_4_1		Fuel Pipe				
FIG.	REF.	QTY	DESCR.	FROM	UPTO	
1	18226001	4	Nozzle Holder			
2	18224012	4	Injector Washer [NP]			
3	18224014	4	Gasket Nozzle			
15	18224031	1	Support-Injection Tube			
16	18224032	1	Support-Injection Tube			
17	18224033	2	Support-Injection Tube			
18	18224034	2	Support-Injection Tube			
19	18224035	4	Bolt			
25	18224005	1	Tube Gas-Oil Spill			
26	18224013	4	Injector Gasket [NP]			
27	18224006	4	Nut-SPILL			
28	18224004	1	Tube Gas-Oil SPILL			
29	18224036	2	Clamp			
30	18224037	1	Clip			
31	18224038	1	INSERT Rubber			
32	18224039	1	Bolt			
41	18224015	1	Pipe Injection N.1			
42	18224016	1	Pipe Injection N.2			
43	18224017	1	Pipe Injection N.3			
44	18224018	1	Pipe Injection N.4			
NS	18224008	1	Hose Fuel [NS]			
NS	18224007	2	Gasket [NS]			



[NP] Not provided
 [NS] Not shown



D_SN85_4_2		Injection Nozzle			
FIG.	REF.	QTY	DESCR.	FROM	UPTO
1-6	18226002	4	Holder Nozzle		
1-7	18226001	4	Nozzle Holder		
2	18226003	4	PUSH ROD		
3	18226004	4	Spring		
4	18226014	0	Washer 0,50 [VAR]		
4	18226012	0	Washer 0,30 [VAR]		
4	18226013	0	Washer 0,40 [VAR]		
4	18226010	0	Washer 0,10 [VAR]		
4	18226016	0	Washer 0,54 [VAR]		
4	18226017	0	Washer 0,56 [VAR]		
4	18226019	0	Washer 0,58 [VAR]		
4	18226020	0	Washer 0,80 [VAR]		
4	18226011	0	Washer 0,20 [VAR]		
4	18226015	0	Washer 0,52 [VAR]		
5	18226007	4	PIECE DISTANCE		
6	18226006	4	RETAINING Nut		
7	18226018	4	Nozzle Assy		

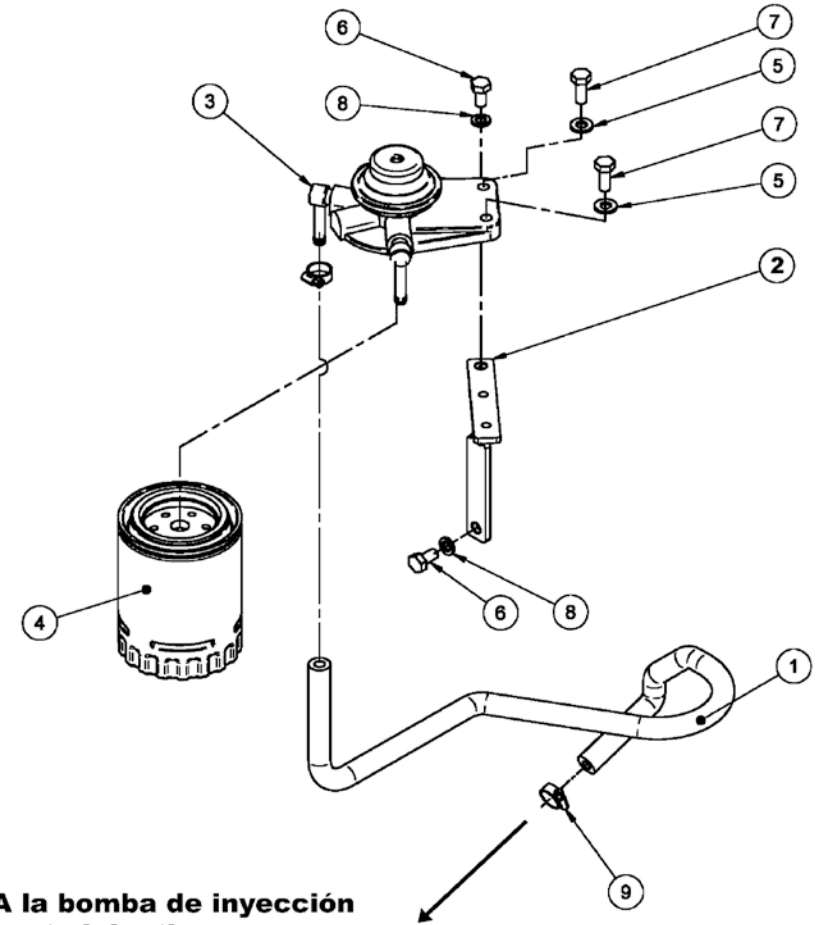


[VAR] Variable according to repair





D_SN85_4_5		Fuel Filter				
FIG.	REF.	QTY	DESCR.	FROM	UPTO	
1	18214005	1	Fuel Pipe			
2	18214001	1	Bracket, Gas-Oil Filter			
3	18224021	1	Cover, Upper			
3-4	18224020	1	Filter Assy Fuel [NP]			
4	18224022	1	Filter Fuel			
5	51030008	2	Washer DIN 125-8			
6	52102256	2	Bolt DIN 933 M8-15 8.8			
7	52102257	2	Bolt DIN 933 M8-20 8.8			
8	53033008	2	Washer GROWER DIN 127-8			
9	54081008	2	Clamp DIN 3017 8-16 W4			

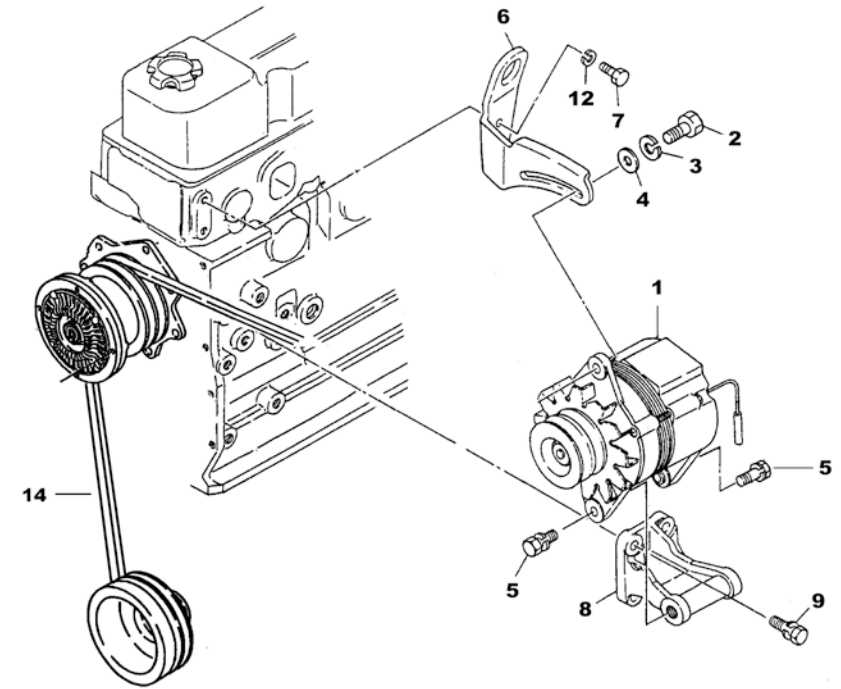


**A la bomba de inyección
to injection pump
a la pompe d'injection**

[NP] Not provided



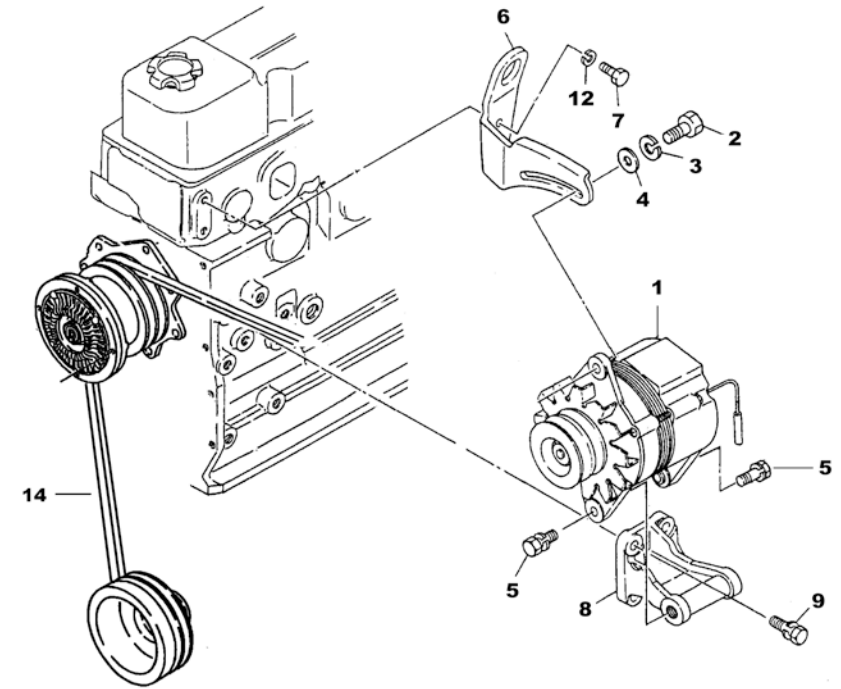
D_SN85_5_1		Kit Alternator 12V/70A			
FIG.	REF.	QTY	DESCR.	FROM	UPTO
1	18017010.1	1	Alternator 14/70A		
2	52102260	1	Bolt DIN 933 M8-35 8.8		
3	53033008	1	Washer GROWER DIN 127-8		
4	51031008	1	Washer DIN 9021 8		
5	18227004	2	Bolt		
6	18227007	1	BRACE Generator [NP]		
7	18227005	2	Bolt		
8	18227002	1	Bracket Alternator		
9	18325011	3	Bolt		
12	18221069	2	Washer		
14	18221028	1	Belt Type A 43 1100		



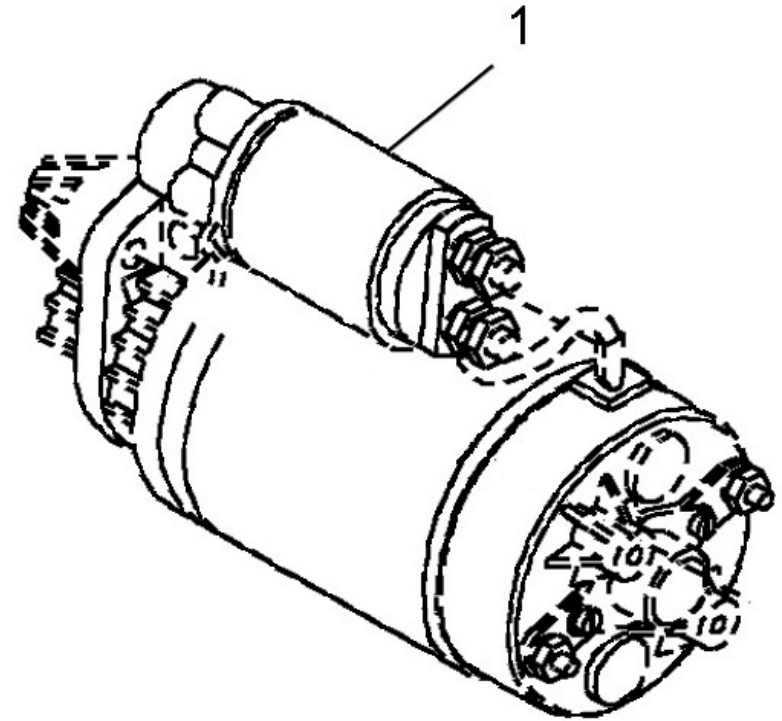
[NP] Not provided



D_SN85_5_3		Kit Alternator 14V/110A			
FIG.	REF.	QTY	DESCR.	FROM	UPTO
1	18217019	1	ALT. 110A/14V With Pulley		
2	52102260	1	Bolt DIN 933 M8-35 8.8		
3	53033008	1	Washer GROWER DIN 127-8		
4	51031008	1	Washer DIN 9021 8		
5	18227004	2	Bolt		
6	18227007.2	1	BRACE Generator		
7	18227005	2	Bolt		
8	18227002.2	1	Bracket Alternator		
9	18325011	3	Bolt		
12	18221069	2	Washer		
14	18221028	1	Belt Type A 43 1100		

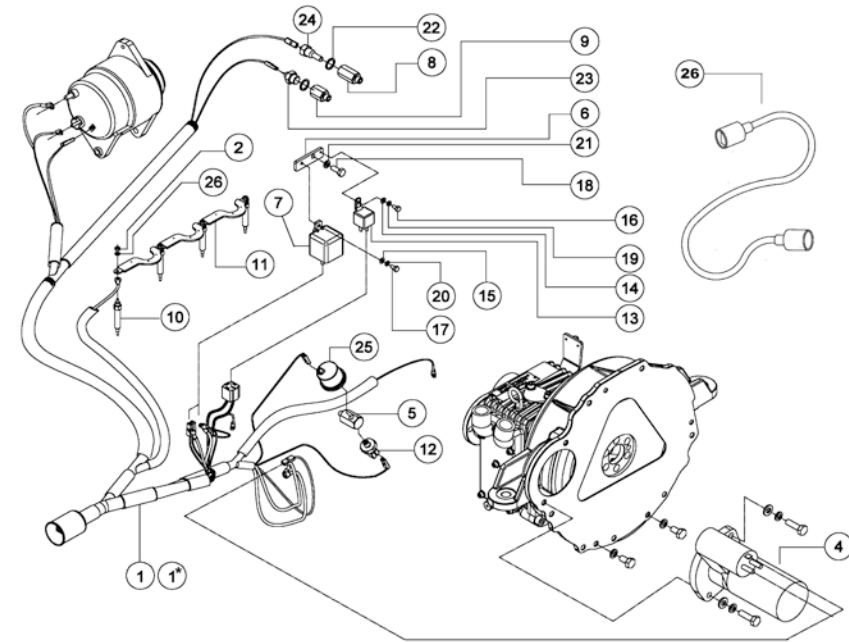


D_SN85_5_5 Parts Starter						
FIG.	REF.	QTY	DESCR.	FROM	UPTO	
1	18227001	1	Starter Motor 12V			





D_SN85_5_6		12V Electrical Wiring			
FIG.	REF.	QTY	DESCR.	FROM	UPTO
1	60982201R	1	SN-110 Electrical Wiring		
1*	60982200R	1	SN-110 Electrical Wiring		
1**	60982201R.2	1	SN-110 Electrical Wiring ISKRA		
2	18227019	4	Nut, flange-glow plug [NP]		
4	18227001	1	Starter Motor 12V		
5	13417051	1	Bell Housing		
6	18217001	1	Support		
7	18217005	1	Relay 12V 12-100		
8	18217014	1	Adapter		
9	18217015	1	Adapter		
10	18227017	1	Plug Glow		
11	18227018	1	CABLE Assy		
12	18227027	1	SWITCH Oil Pressure		
13	18517005.1	1	Relay 12-6V		
14	51030005	1	Washer DIN 125-5		
15	51030006	1	Washer DIN 125-6		
16	52102104	1	Bolt DIN 933 M5-10 8.8		
17	52102155	1	Bolt DIN 933 M6-12 8.8		
18	52102257	1	Bolt DIN 933 M8-20 8.8		
19	53033005	1	Washer GROWER DIN 127-5		
20	53033006	1	Washer GROWER DIN 127-6		
21	53033008	1	Washer GROWER DIN 127-8		
22	57000375	2	Washer 17-22-1,5		
23	60900070	1	Thermo-Switch 97°C		
24	60900980	1	Temperature Sensor		
24*	60900780	1	Temperature SENDER 12 V		
25	60900985	1	Pressure Sensor		
25*	60900785	1	Oil Pressure Sender 12-24 V		
26	60985210	1	Engine Wiring Ext. 4 M.		



- * Aplicable en moteurs con n° serie ≥ 230357 (SN110) y ≥ 798381 (SN85)
- * Available in engines with serial no. ≥ 230357 (SN110) and ≥ 798381 (SN85)
- * Équipée des moteurs avec n° de serie ≥ 230357 (SN110) et ≥ 978381 (SN85)

- ** Aplicable en moteurs con n° serie ≥ 278657 (SN110)
- ** Available in engines with serial no. ≥ 278657 (SN110)
- ** Équipée des moteurs avec n° de serie ≥ 278657 (SN110)

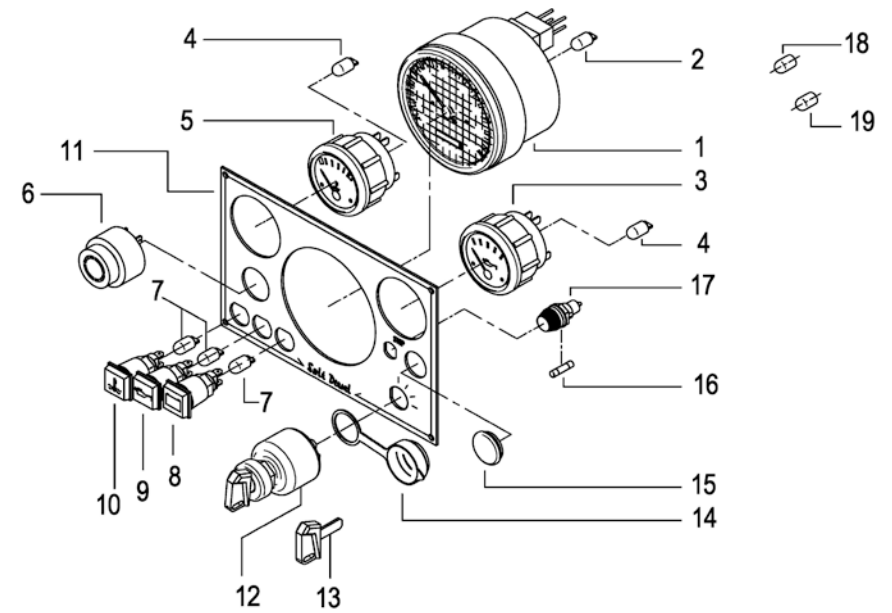
[NP] Not provided





D_SN85_5_7		Panel SN-85/110 (SN-85 N° < 717845)			
FIG.	REF.	QTY	DESCR.	FROM	UPTO
1	60982710	1	TACHOMETER		
2	60900830	1	Bulb Holder 12V-1,2W R.P.M.		
3	60900820	1	Oil PRESURE Gauge 12 V		
4	60900829	2	Bulb Holder 12V		
5	60900815	1	Water Gauge 12 V		
6	60900060	1	Alarm, SWITCH		
7	60900045A	3	Bulb 12V 3W Connector JKL		
8	60900051A	1	LAMP, charge		
9	60900050A	1	LAMP, oil press.		
10	60900052A	1	LAMP, water temp.		
11	60938001R	1	Panel		
12	60900031	1	Key-Locking Switch		
13	60900033	1	KEY,starter switch		
14	60900035	1	Cover,key		
15	60900506	1	Shutter 22		
16	60900118	1	Fuse 10 A.		
17	60900121	1	FuseHolder, panel		
18	60900112	2	DIODE 1 A.		
19	60900111	1	DIODE 6 A.		
20	60982010R	1	Panel INSTRUMENTS SN-110		
NS	60982125	1	Panel SN-85/110 [NS]		

17/11/2016

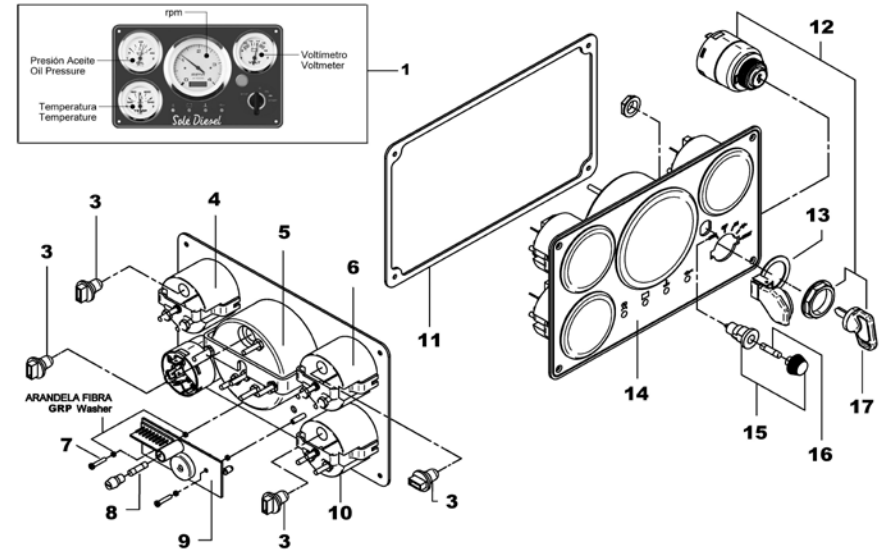


[NS] Not shown



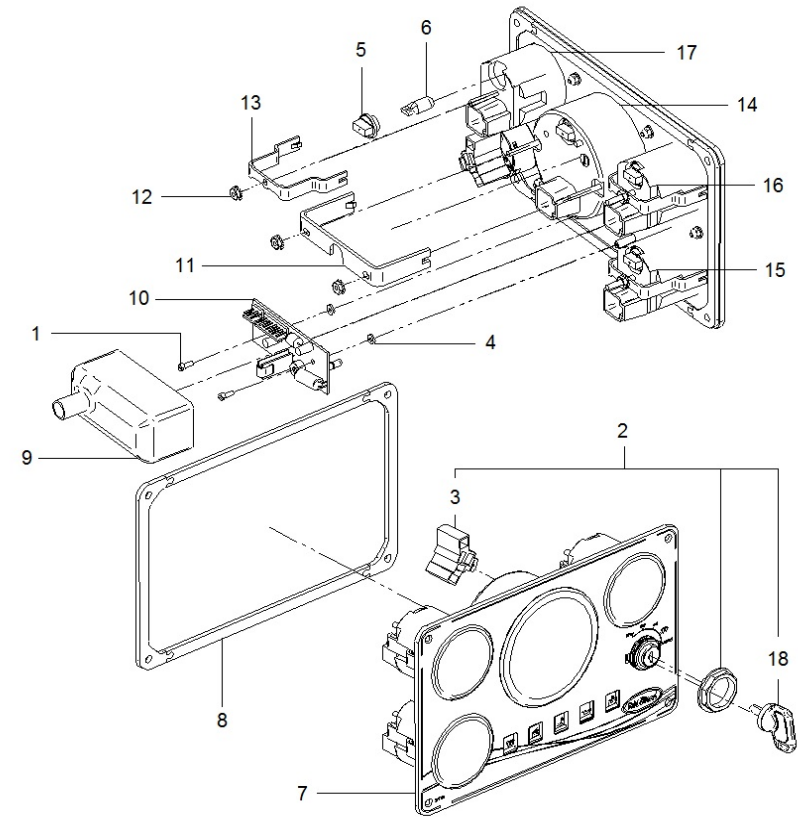


D_SN85_5_8 Panel SN-85/110 (SN-85 N° > 717844)					
FIG.	REF.	QTY	DESCR.	FROM	UPTO
1	60982130R	1	SVT 30 SN-85/110 Panel (Repl.)		
3	60900929	4	Bulb 12V		
4	60900925	1	VOLTMETER 12 V		
5	60982910	1	TACHOMETER SN-85/110		
6	60900920	1	Oil Pressure Gauge 12 V		
7	54108003	1	Bolt DIN 84 M3-8 INOX.		
8	60900119	1	Fuse 0.5A		
9	60900301	1	Integrated Circuit Plate 12V		
10	60900915	1	Water Gauge 12 V		
11	60990006	1	Gasket Panel		
12	60900037	1	Key-Locking		
13	60900038	1	Cover,KEY		
14	60990005	1	Panel N.3		
15	60900121	1	FuseHolder, panel		
16	60900118	1	Fuse 10 A.		
17	60900036	1	Key,Starter Switch		



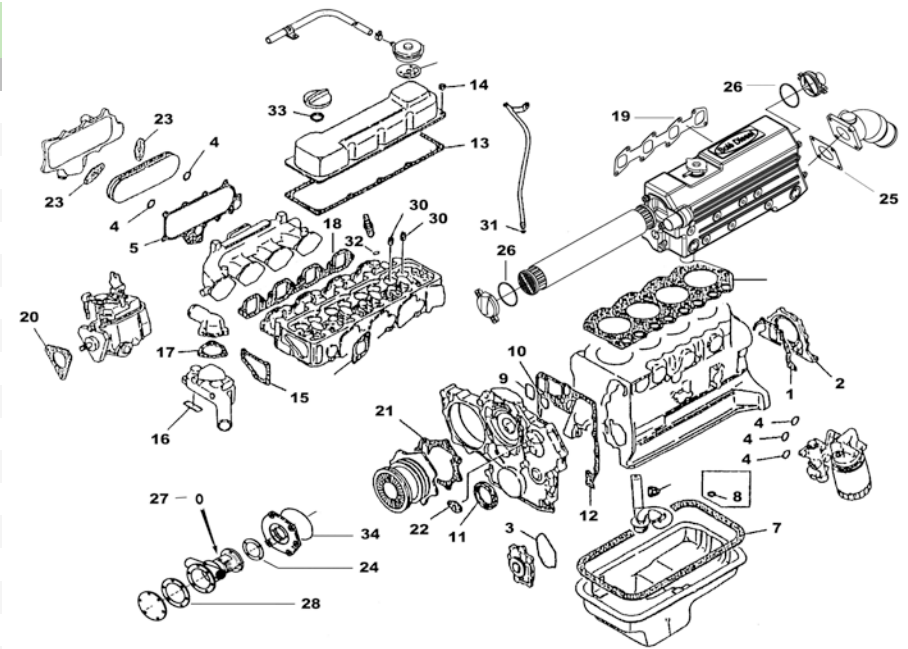


D_60910004		Deluxe Instrument Panel 12V			
FIG.	REF.	QTY	DESCR.	FROM	UPTO
1	54108003	2	Bolt DIN 84 M3-8 INOX.		
2	60900037	1	Key-Locking		
3	60900037.2	1	Connector		
5	60900931	4	SOCKET,WEDGE BASE		
6	60900929	4	Bulb 12V		
7	60990005.1	1	Panel N.3		
8	60990006	1	Gasket Panel		
9	60900096	1	Cover Plate for Motor Propeller		
10	60900301.2	1	Integrated Circuit Plate 12V Protection		
11	60900910.1	1	MTG Bracket 3" LG GA AMEGA		
12	60900910.2	5	Nut 8-32 W/CapTIVE STAR Washer		
13	60900915.2	3	MTG Bracket		
14	60900935	1	TACHO/HOURMETER 4000 12V		
15	60900937	1	Water Gauge 12 V		
16	60900939	1	Oil Pressure Gauge 12V		
17	60900941	1	VOLTMETER 12V		
18	60900036	1	Key,Starter Switch		

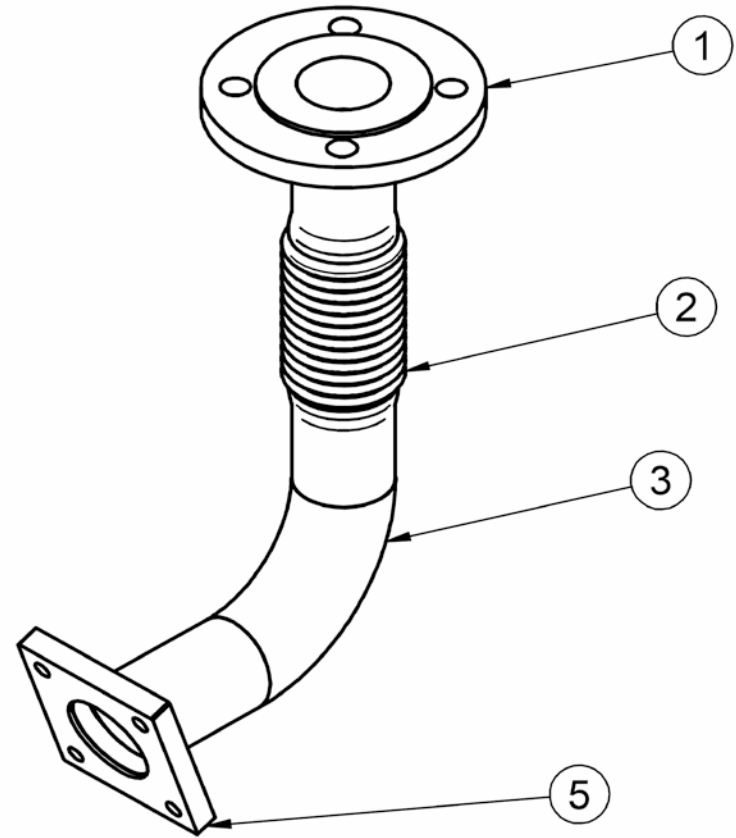




D_18220101		Gasket Kit			
FIG.	REF.	QTY	DESCR.	FROM	UPTO
1	18220017	1	Gasket,Retainer		
2	18220018	1	Seal Oil,CrankShaft		
3	18224041	1	Gasket Oil Pump		
4	18224076	5	O-Ring D. 24X3,5		
5	18322112	1	Gasket Oil Cooler		
6	18220102	1	Gasket Kit-Valve REGRIND.		
7	18220033	1	Gasket,Oil PAN		
8	18224053	1	Gasket Oil STrainer		
9	18220068	1	Gasket		
0	18220101	1	Gasket Kit		
10	18220069	1	Gasket		
11	18220039	1	Seal Oil		
12	18220019	1	Gasket Plate		
13	18221010	1	Gasket Cover		
14	18221058	10	Washer		
15	18221038	1	Gasket Thermostat Housing		
16	18221039	1	Gasket		
17	18221049	1	Gasket Water Outlet		
18	18221032	1	Gasket MANIFOld		
19	18221035	1	Gasket, Exhaust		
20	18225007	1	Gasket		
21	18221022	1	Gasket Water Pump		
22	18221065	1	Gasket		
23	18222112	2	Seal		
24	13310013	1	Gasket,water pump		
25	16513002	1	Exhaust Elbow Gasket		
26	18011008	2	O-Ring D. 72X3		
27	33311013	1	O-Ring D. 15X2		
28	34711003	1	Gasket Cover		
29	18220094	1	Gasket		
30	18222054	8	Seal Oil,Valve		
31	18220029.1	1	DIPSTICK Oil O-Ring		
32	18224014	4	Gasket Nozzle		
33	18221017	1	Gasket Oil Filler		
34	NU028.75	1	NURAL 28 ORANGE 75ML		



18213115 Kit Dry Exhaust With Flexible Pipe					
FIG.	REF.	QTY	DESCR.	FROM	UPTO
1	51068060	1	Flange		
2	19013017	1	Expansion,compensator		
3	51066060	1	KNEE 90 FIG. 6002/5 2"		
5	18013016	1	Exhaust Flange (S)		

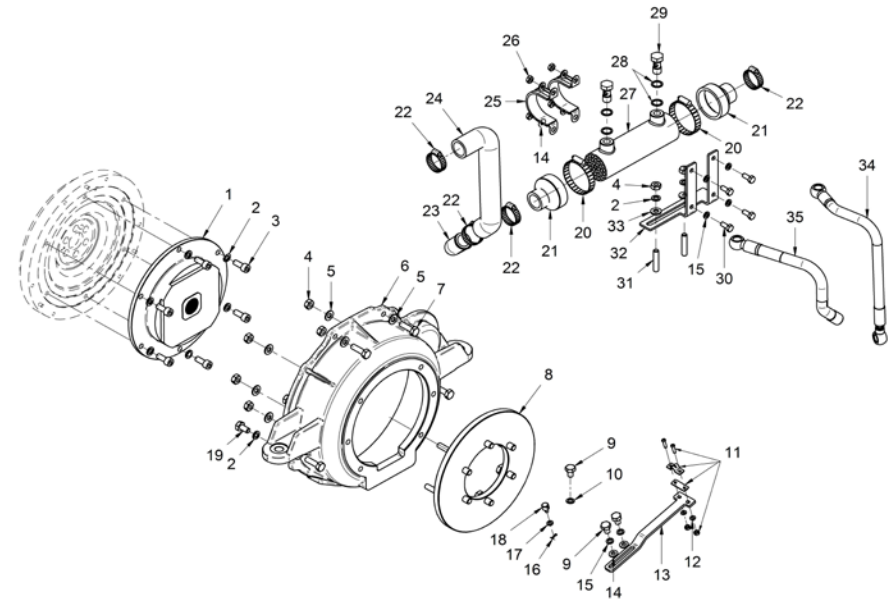


18210240		Kit Bobtail				
FIG.	REF.	QTY	DESCR.	FROM	UPTO	
1	14711022	1	Hose N° 2			
2	54082025	2	Clamp DIN 3017 25-40/12 W4			
3	58088281	1	Pastic Cable Zip Tie			
4	M87503242	1	Water Intake Hose (HQ) D. 32-42			



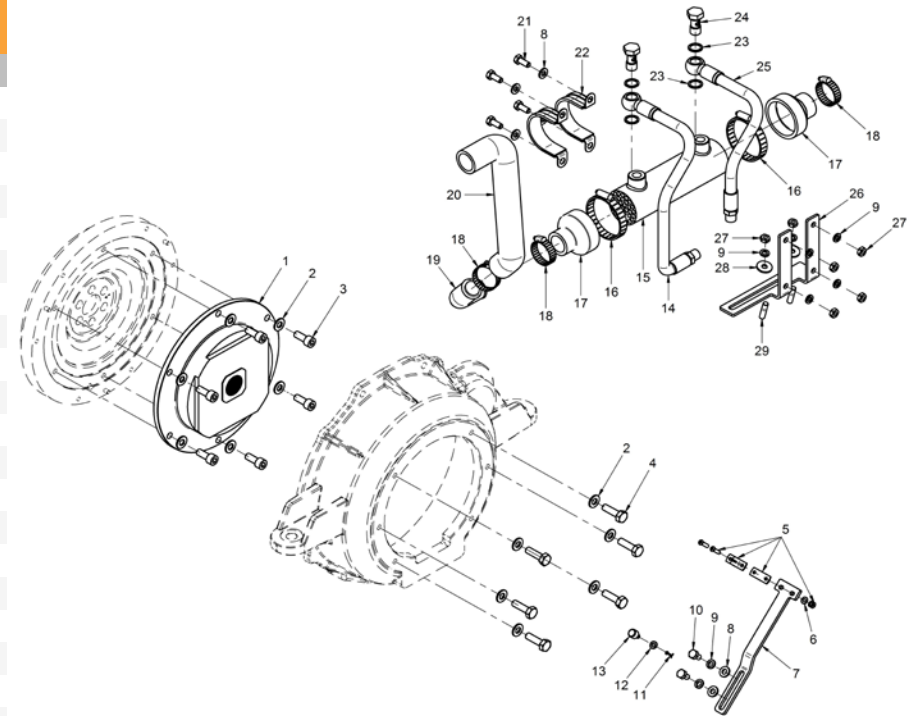


18310200		Kit GearBox TM-93			
FIG.	REF.	QTY	DESCR.	FROM	UPTO
1	18310171	1	Flexible Coupling Type B SAE 8" BW		
2	53033010	8	Washer GROWER DIN 127-10		
3	52103308	6	Bolt DIN 912 M10-25 8.8		
5	53038010	6	Washer DIN 6798-A 10		
9	24870021	1	BW Housing TM-93/170/485/545		
10	52102306	1	Bolt DIN 933 M10-15 8.8	06/06/2007	
11	56000061	1	Washer 10-16-1,5		
12	24810913	1	Clamp,CABLE		
13	51030005	2	Washer DIN 125-5		
14	18619020	1	Bracket,Gear box control		
15	51030008	6	Washer DIN 125-8		
17	51051107	1	Pin DIN-94 1,6-16		
18	51030006	4	Washer DIN 125-6		
19	ALLPA.93	1	Coupling,cable	23/05/2017	
21	54082050	2	Clamp DIN 3017 50-70/12 W4		
22	15312007	2	Cover, water cooler D 30		
23	54082025	4	Clamp DIN 3017 25-40/12 W4		
24	15212022	1	Elbow	15/02/2017	
25	18211019	1	Pipe		
26	59072604	2	Clamp	29/03/2014	
27	52120008	4	Nut DIN 934 M8 8.8		
28	14712051	1	Cooler,oil		
29	57000375	4	Washer 17-22-1,5		
30	14712015	2	Bolt,Coupling pipe oil		
31	52102257	4	Bolt DIN 933 M8-20 8.8		
32	53033008	6	Washer GROWER DIN 127-8		
34	13912041	1	Bracket,TM Oil Cooler		
35	51030010	8	Washer DIN 125-10		
36	52120010	8	Nut DIN 934 M10 8.8		





18310210		Kit GearBox TM-345/A			
FIG.	REF.	QTY	DESCR.	FROM	UPTO
1	18310171	1	Flexible Coupling Type B SAE 8" BW		
2	53038010	11	Washer DIN 6798-A 10		
3	52103308	6	Bolt DIN 912 M10-25 8.8		
5	24810913	1	Clamp,CABLE		
6	51030005	2	Washer DIN 125-5		
7	18619020	1	Bracket,Gear box control	02/10/2004	
8	51030008	6	Washer DIN 125-8		
9	53033008	8	Washer GROWER DIN 127-8		
10	52102256	2	Bolt DIN 933 M8-15 8.8		
11	51051107	1	Pin DIN-94 1,6-16		
13	ALLPA.93	1	Coupling,cable	23/05/2017	
14	17012024	1	Pipe		
15	14712051	1	Cooler,oil		
16	54082050	2	Clamp DIN 3017 50-70/12 W4		
17	15312007	2	Cover, water cooler D 30		
18	54082025	4	Clamp DIN 3017 25-40/12 W4		
19	15212022	1	Elbow	15/02/2017	
20	18211019	1	Pipe		
21	52102257	4	Bolt DIN 933 M8-20 8.8		
22	59072604	2	Clamp	29/03/2014	
23	57000375	4	Washer 17-22-1,5		
24	14712015	2	Bolt,Coupling pipe oil		
25	18512024	1	Pipe		
26	13912041	1	Bracket,TM Oil Cooler		
27	52120008	6	Nut DIN 934 M8 8.8		
28	51031008	2	Washer DIN 9021 8		
29	12120018	2	Stud		
NS	51030006	3	Washer DIN 125-6 [NS]		
NS	52102307	5	Bolt DIN 933 M10-20 8.8 [NS]		



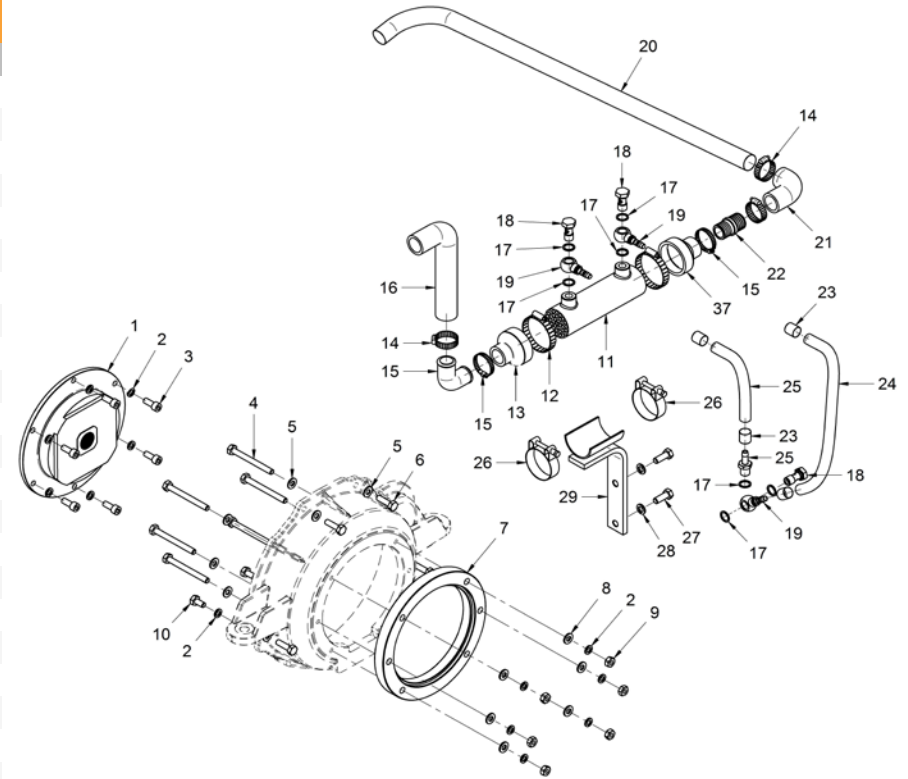
[NS] Not shown





18310217 Kit GearBox BORG WARNER

FIG.	REF.	QTY	DESCR.	FROM	UPTO
1	18310171	1	Flexible Coupling Type B SAE 8" BW		
2	53033010	2	Washer GROWER DIN 127-10		
4	52101323	6	Bolt DIN 931 M10-100 8.8		
5	53038010	18	Washer DIN 6798-A 10		
7	16510004	1	Spacer, bell housing		
8	51030010	6	Washer DIN 125-10		
10	52102307	6	Bolt DIN 933 M10-20 8.8		
11	14712051	1	Cooler, oil		
12	54082050	2	Clamp DIN 3017 50-70/12 W4		
13	15312007	2	Cover, water cooler D 30		
14	54082025	2	Clamp DIN 3017 25-40/12 W4		
15	15212022	2	Elbow	15/02/2017	
16	18211023	1	Pipe		
17	57000375	7	Washer 17-22-1,5		
18	14712015	3	Bolt, Coupling pipe oil		
19	14712035	3	Collar, Union		
20	18211027	1	Pipe		
21	18211018	1	Rubber		
22	18011026	1	Pipe		
23	14712031	4	Retainer		
24	M84501019	0	LOW Pressure Hose D. 10-19 [VAR]		
25	14712032	1	Coupling, ball pipe oil		
26	51083060	2	Clamp "P" 59-63		
27	52302309	2	Bolt DIN 933 W7/16-30 8.8		
28	53033012	2	Washer GROWER DIN 127-12		
29	17112019	1	Bracket, Cooler Oil		
NS	13319004	1	Bracket, adjustment morse engin [NS]		
NS	14719013	1	Clamp, cable [NS]		
NS	14719032	1	SPLIT, piece [NS]		
NS	14719034	1	Pin [NS]		
NS	51030006	3	Washer DIN 125-6 [NS]		
NS	51051107	1	Pin DIN-94 1,6-16 [NS]		
NS	52102154	2	Bolt DIN 933 M6-10 8.8 [NS]		



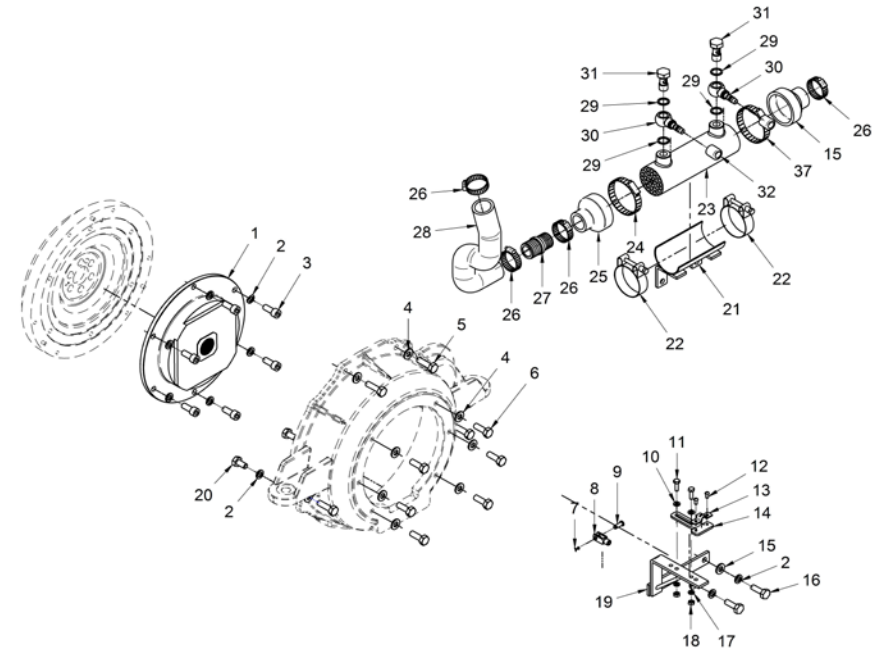
[NS] Not shown

[VAR] Variable according to repair





18310218		Kit GearBox ZF-63			
FIG.	REF.	QTY	DESCR.	FROM	UPTO
1	18310171	1	Flexible Coupling Type B SAE 8" BW		
2	53033010	2	Washer GROWER DIN 127-10		
3	52103308	6	Bolt DIN 912 M10-25 8.8		
4	53038010	12	Washer DIN 6798-A 10		
6	52102308	4	Bolt DIN 933 M10-25 8.8		
7	51051107	1	Pin DIN-94 1,6-16		
8	14719032	1	SPLIT,piece		
9	14719034	1	Pin		
10	51030006	6	Washer DIN 125-6		
11	52102158	2	Bolt DIN 933 M6-25 8.8		
12	55307104	2	Bolt DIN 86 W3/16-10		
13	14719013	1	Clamp,cable		
14	13319004	1	Bracket,adjustment morse engin		
15	51030010	2	Washer DIN 125-10		
16	52302258	2	Bolt DIN 933 W3/8-25 8.8		
17	53033006	2	Washer GROWER DIN 127-6		
18	52120006	2	Nut DIN 934 M6 8.8		
19	16519020	1	Bracket, Gear box control		
21	16512010	1	Bracket,oil cooler		
22	51083060	1	Clamp "P" 59-63		
23	14712051	1	Cooler,oil		
24	54082050	2	Clamp DIN 3017 50-70/12 W4		
25	15312007	2	Cover, water cooler D 30		
26	54082025	4	Clamp DIN 3017 25-40/12 W4		
27	18011026	1	Pipe		
28	17411018	1	Hose SMI-R3		
29	57000375	4	Washer 17-22-1,5		
30	14712035	2	Collar, Union		
31	14712015	2	Bolt,Coupling pipe oil		
32	14712031	4	Retainer		
NS	M84501019	0	LOW Pressure Hose D. 10-19 [NS] [VAR]		23/10/2008
NS	14712032	2	Coupling,ball pipe oil [NS]		

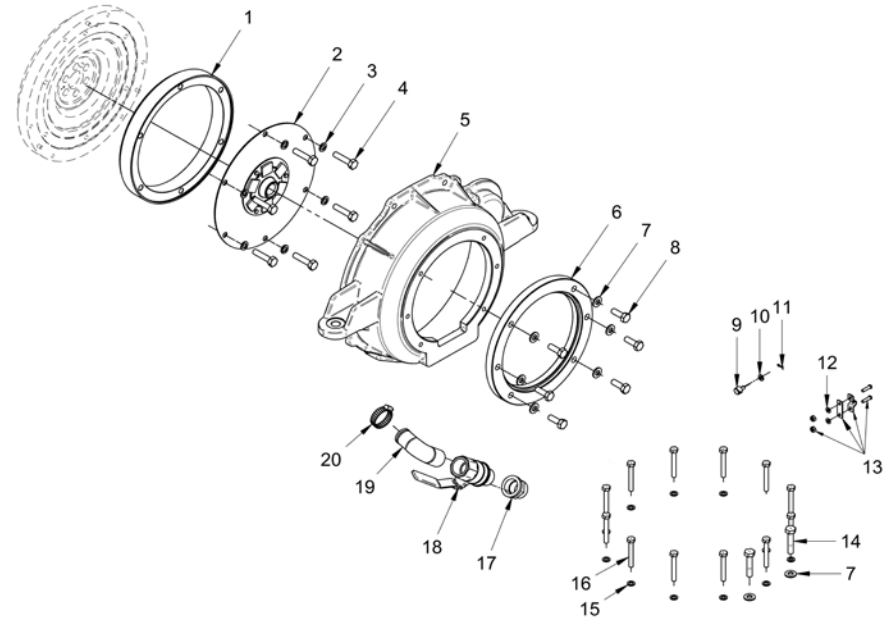


[NS] Not shown
 [VAR] Variable according to repair





18310219		Kit SPROP60 for SN-85			
FIG.	REF.	QTY	DESCR.	FROM	UPTO
1	18310014	1	Suplement,Flywheel		
2	18210070	1	Flexible Coupling Type A SAE 8"		
3	53033010	6	Washer GROWER DIN 127-10		
4	52102312	12	Bolt DIN 933 M10-45 8.8		
5	18310013	1	SAE 7 Bell Housing		
6	17110013	1	Spacer		
7	53038010	16	Washer DIN 6798-A 10		
8	52102309	8	Bolt DIN 933 M10-30 8.8		
9	ALLPA.93	1	Coupling,cable	23/05/2017	
10	51030006	4	Washer DIN 125-6		
11	51051107	1	Pin DIN-94 1,6-16	08/11/2011	
12	51030005	2	Washer DIN 125-5		
14	52101313	2	Bolt DIN 931 M10-50 8.8		
15	53038008	12	Washer DIN 6798-A 8		
16	52101265	12	Bolt DIN 931 M8-60 8.8		
17	17111006	1	Racord 1" M-H		
18	17111005	1	Water Trainer 1" M-H		
20	54082025	4	Clamp DIN 3017 25-40/12 W4		
NS	M87503242	3	Water Intake Hose (HQ) D. 32-42 [NS]		
NS	24813501	1	BW Bell Housing [NS]		
NS	58088280	1	Pastic Cable Zip Tie [NS]		

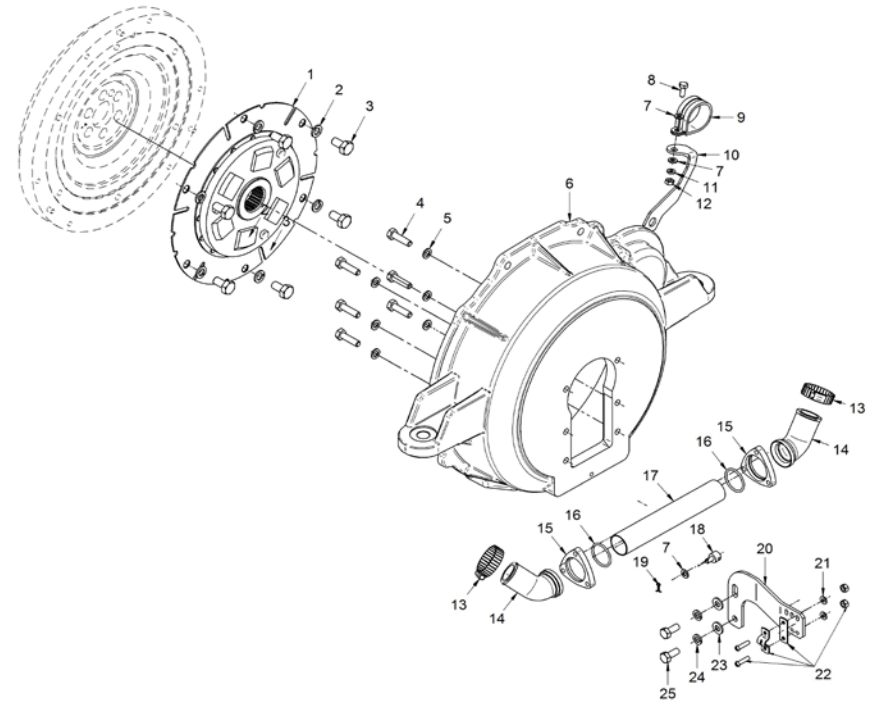


[NS] Not shown





18310227		Kit GearBox TMC-260			
FIG.	REF.	QTY	DESCR.	FROM	UPTO
1	14910010.1	1	Flexible Coupling Type A SAE 8"		
2	53033010	6	Washer GROWER DIN 127-10		
3	52102307	6	Bolt DIN 933 M10-20 8.8		
4	52102259	6	Bolt DIN 933 M8-30 8.8		
5	53038008	6	Washer DIN 6798-A 8		
6	18210012	1	CARCASSE Type HURTH		
7	51030006	6	Washer DIN 125-6		
8	52102156	1	Bolt DIN 933 M6-16 8.8		
9	59071383	1	Clamp TYP.1 38/15 W1		
10	17610008	1	HANGER,Engine		
11	53033006	1	Washer GROWER DIN 127-6		
12	52120006	1	Nut DIN 934 M6 8.8		
13	54082025	4	Clamp DIN 3017 25-40/12 W4		
14	24890053	2	Elbow		
15	24890051	2	Cover		
16	24890052	2	O-Ring D. 32X2,5		
17	24890054	1	Cooler Pipe		
18	ALLPA.93	1	Coupling,cable	23/05/2017	
19	51051107	1	Pin DIN-94 1,6-16		
20	24880901	1	Bracket, GearBox Control		
21	51030005	2	Washer DIN 125-5		
22	24810913	1	Clamp,CABLE		
23	51030008	2	Washer DIN 125-8		
24	53033008	2	Washer GROWER DIN 127-8		
25	52102257	2	Bolt DIN 933 M8-20 8.8		
NS	M87503242	1	Water Intake Hose (HQ) D. 32-42 [NS]		
NS	13611038	1	Pipe 30-40-75 [NS]		
NS	14711022	1	Hose N° 2 [NS]		

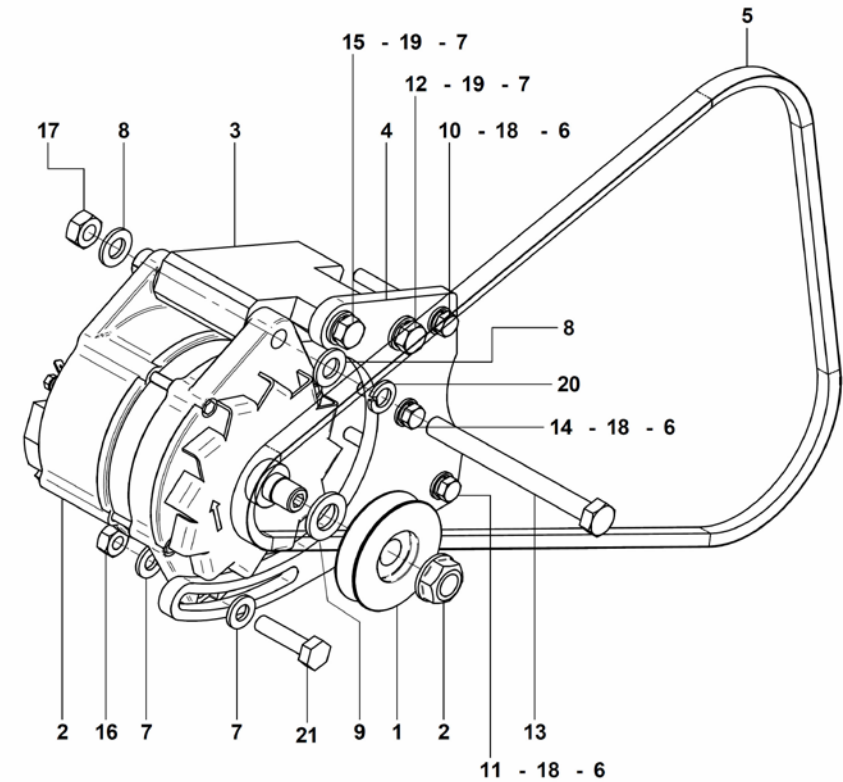


[NS] Not shown





18217100		Kit 2nd Alternator 28V/55A			
FIG.	REF.	QTY	DESCR.	FROM	UPTO
1	17417020	1	Pulley Alternator		
2	17417027	1	Alt. 28V/55A Mahle	16/03/2016	
3	18217020	1	Bracket Alternator		
4	18217021	1	BRACE Generator		
5	18217022	1	Belt Type SPAX 1282		
6	51030008	3	Washer DIN 125-8		
7	51030010	4	Washer DIN 125-10		
8	51030012	2	Washer DIN 125-12		
9	51030016	1	Washer DIN 125-16		
10	52101267	1	Bolt DIN 931 M8-70 8.8		
11	52101269	1	Bolt DIN 931 M8-80 8.8		
12	52101321	1	Bolt DIN 931 M10-90 8.8		
13	52101376	1	Bolt DIN 931 M12-130 8.8		
15	52102309	1	Bolt DIN 933 M10-30 8.8		
16	52120010	1	Nut DIN 934 M10 8.8		
17	52120012	1	Nut DIN 934 M12 8.8		
18	53033008	3	Washer GROWER DIN 127-8		
19	53033010	2	Washer GROWER DIN 127-10		
20	53033012	1	Washer GROWER DIN 127-12		
21	52101311	1	Bolt DIN 931 M10-40 8.8		
NS	M87503242	0	Water Intake Hose (HQ) D. 32-42 [NS] [VAR]		
NS	13310013	1	Gasket,water pump [NS]		
NS	13817011	1	Bracket [NS]		
NS	14711022	1	Hose N° 2 [NS]		
NS	15212022	1	Elbow [NS]	15/02/2017	
NS	52120008	1	Nut DIN 934 M8 8.8 [NS]		

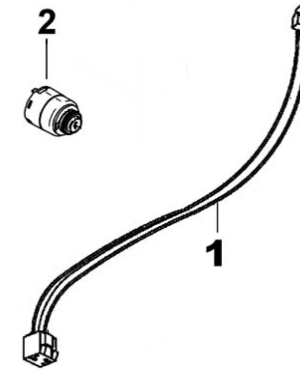


[NS] Not shown

[VAR] Variable according to repair

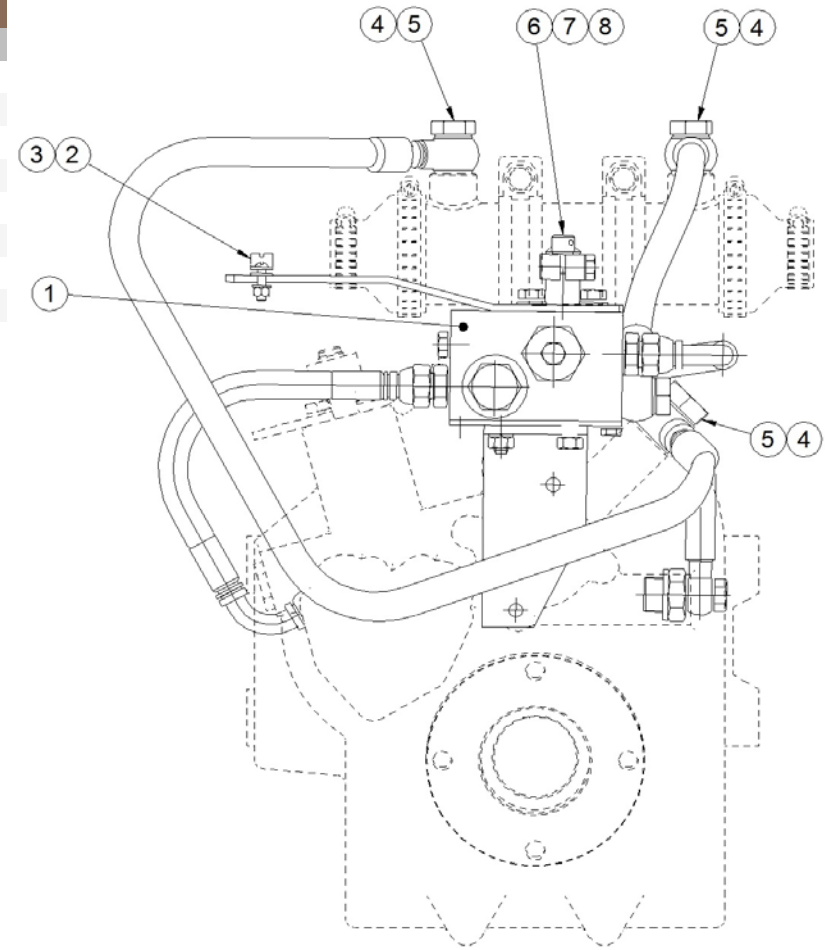


24813510 Kit Water Leak Sensor & Alarm SP60 12V					
FIG.	REF.	QTY	DESCR.	FROM	UPTO
1	60938203	1	SPROP60 Water SYStem Alarm SYSTEM		
2	24813504	1	Water Alarm Sensor		





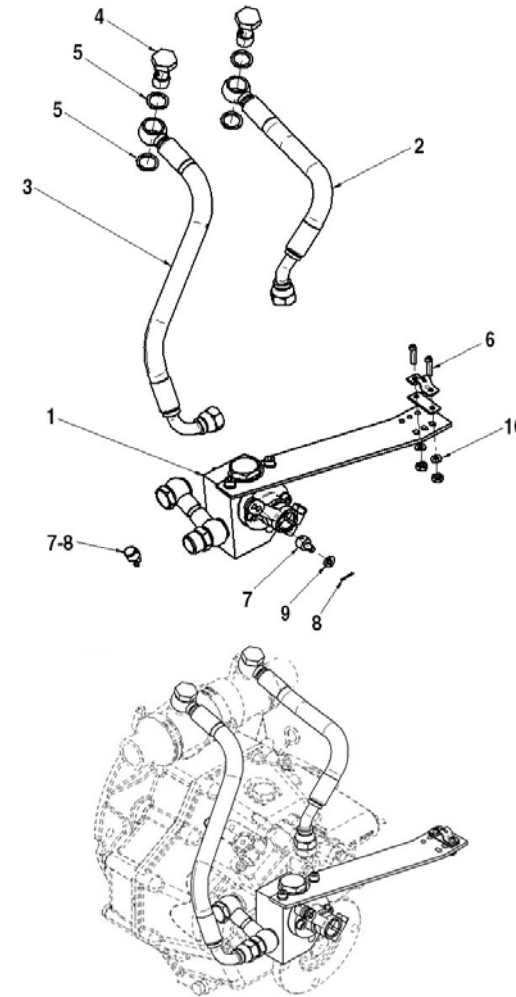
17012093		Kit Trolling Valve for TM-93			
FIG.	REF.	QTY	DESCR.	FROM	UPTO
1	24810050	1	Trolling Valve TM-93		
2	24810913	1	Clamp, CABLE		
3	51030005	2	Washer DIN 125-5		
4	57000375	6	Washer 17-22-1,5		
5	14712015	3	Bolt, Coupling pipe oil		
6	14719115	2	Coupling, cable		
7	51030006	4	Washer DIN 125-6		
8	51051107	2	Pin DIN-94 1,6-16		
NS	17112024	2	Pipe, rev.oil Cooler [NS]		



[NS] Not shown

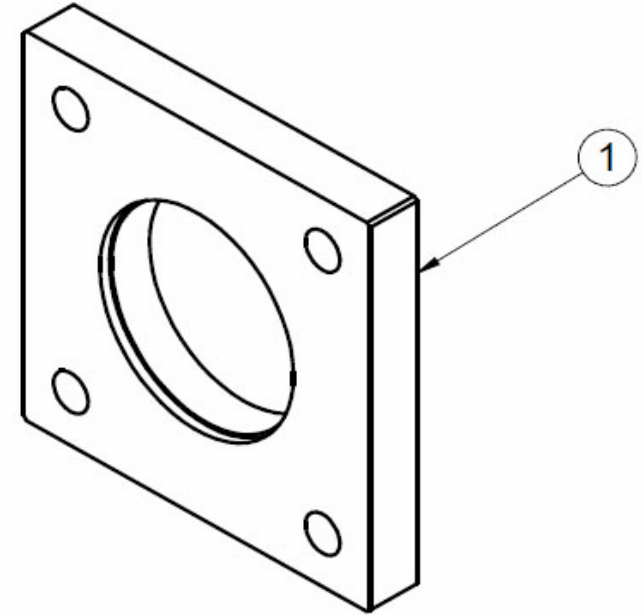


17012345		Kit Trolling Valve for TM-345/A			
FIG.	REF.	QTY	DESCR.	FROM	UPTO
1	24850050	1	Trolling Valve TM-345A		
2	17012024	1	Pipe		
3	17512017	1	Pipe, rev.oil Cooler		
4	14712015	2	Bolt,Coupling pipe oil		
5	57000375	4	Washer 17-22-1,5		
6	24810913	1	Clamp,CABLE		
7	14719115	2	Coupling,cable		
8	51051107	2	Pin DIN-94 1,6-16		
9	51030006	1	Washer DIN 125-6		
10	51030005	2	Washer DIN 125-5		

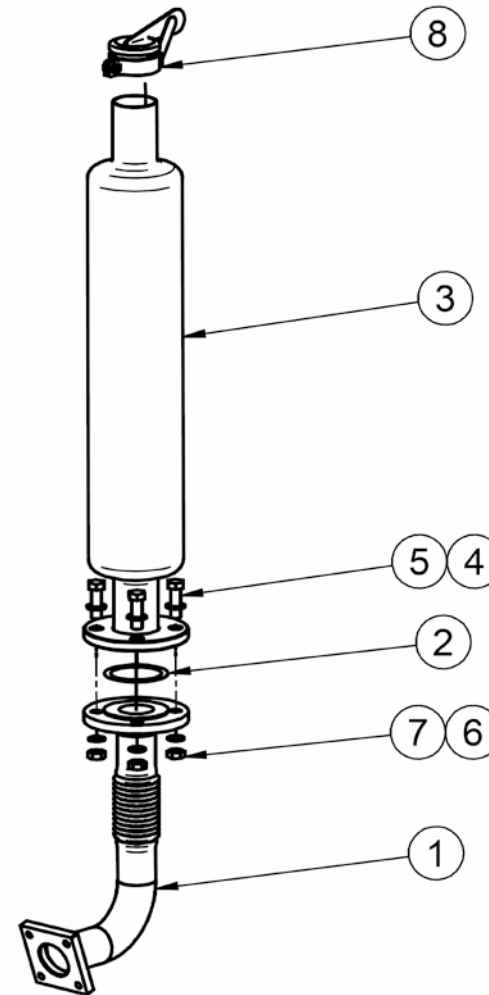




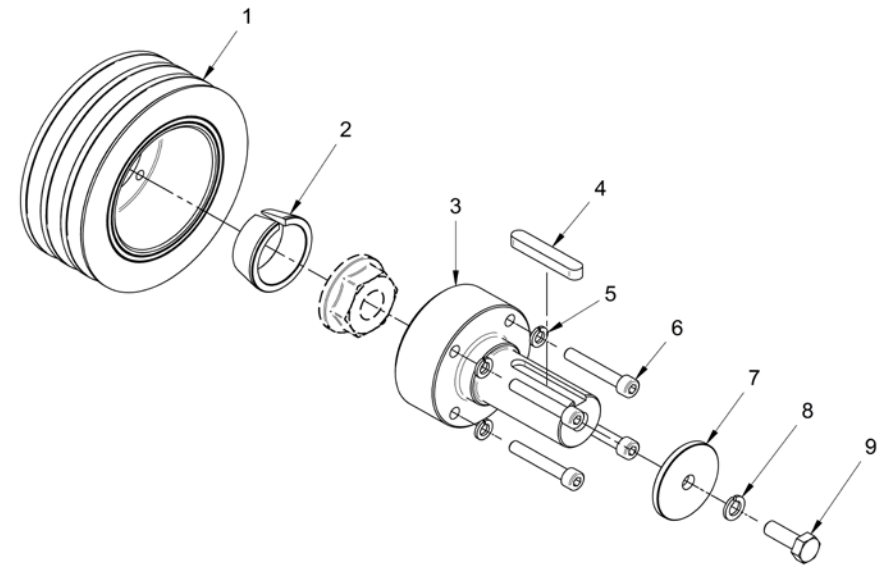
18013016 Exhaust Flange (S)						
FIG.	REF.	QTY	DESCR.	FROM	UPTO	
1	18013016.1	1	Exhaust Flange			



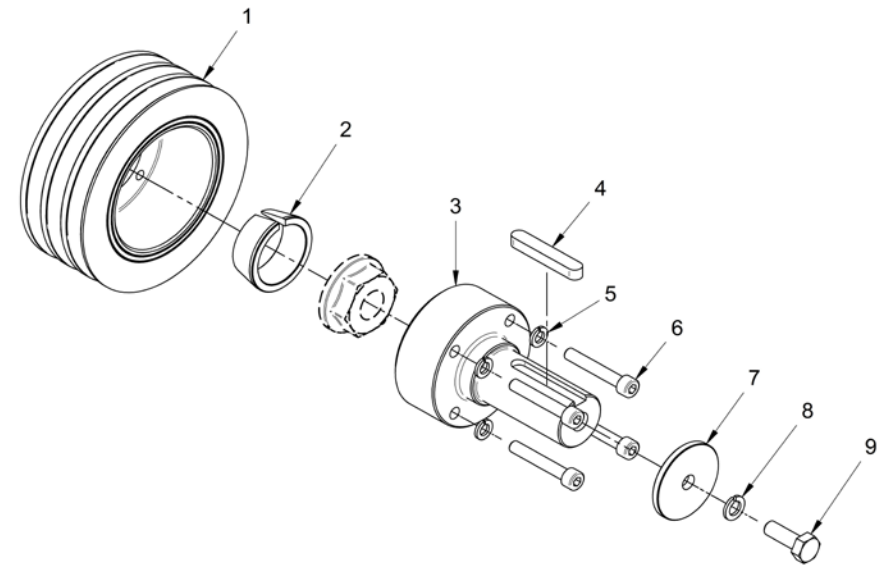
18213118		Kit Dry Exhaust Flexible Pipe & Silencer			
FIG.	REF.	QTY	DESCR.	FROM	UPTO
1	18213115	1	Kit Dry Exhaust With Flexible Pipe		
2	19013020	1	Gasket		
3	17413018	1	Exhaust Muffler		
4	51030016	4	Washer DIN 125-16		
5	52101463	4	Bolt DIN 931 M16-50 8.8		
6	53033016C	4	Washer	10/12/2009	
7	52120016	4	Nut DIN 934 M16 8.8		
8	17413019	1	RAINCover		



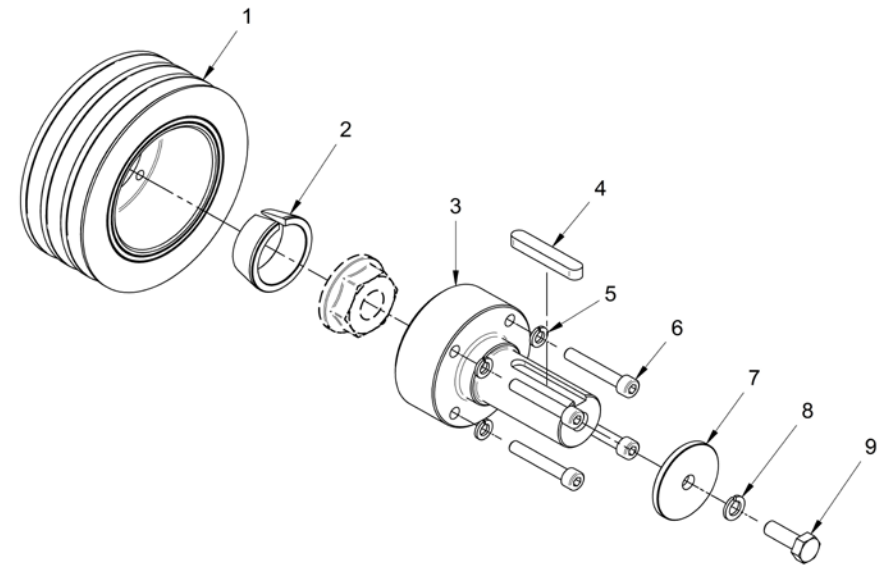
18210121		Kit Pulley & Power Take-off 3A			
FIG.	REF.	QTY	DESCR.	FROM	UPTO
1	18222024.1	1	Pulley		
2	18210034	1	Crankshaft Cone		
3	18210080	1	Shaft 1 1/2"		
4	18210081	1	KEY DIN 6885A 10-8-60		
5	53033008	4	Washer GROWER DIN 127-8		
6	52103263	4	Bolt DIN 912 M8-50 8.8		
7	60500064	1	BUTT Washer		
8	53033010	1	Washer GROWER DIN 127-10		
9	52102309	1	Bolt DIN 933 M10-30 8.8		



18210122		Kit Power Take-off D40			
FIG.	REF.	QTY	DESCR.	FROM	UPTO
	18210034	1	Crankshaft Cone	14/11/2016	
1	18222024.1	1	Pulley		
3	18210082	1	Shaft 40 MM.		
4	18210083	1	KEY DIN 6885A 12-8-60		
5	53033008	4	Washer GROWER DIN 127-8		
6	52103263	4	Bolt DIN 912 M8-50 8.8		
7	60500064	1	BUTT Washer		
8	53033010	1	Washer GROWER DIN 127-10		
9	52102309	1	Bolt DIN 933 M10-30 8.8		

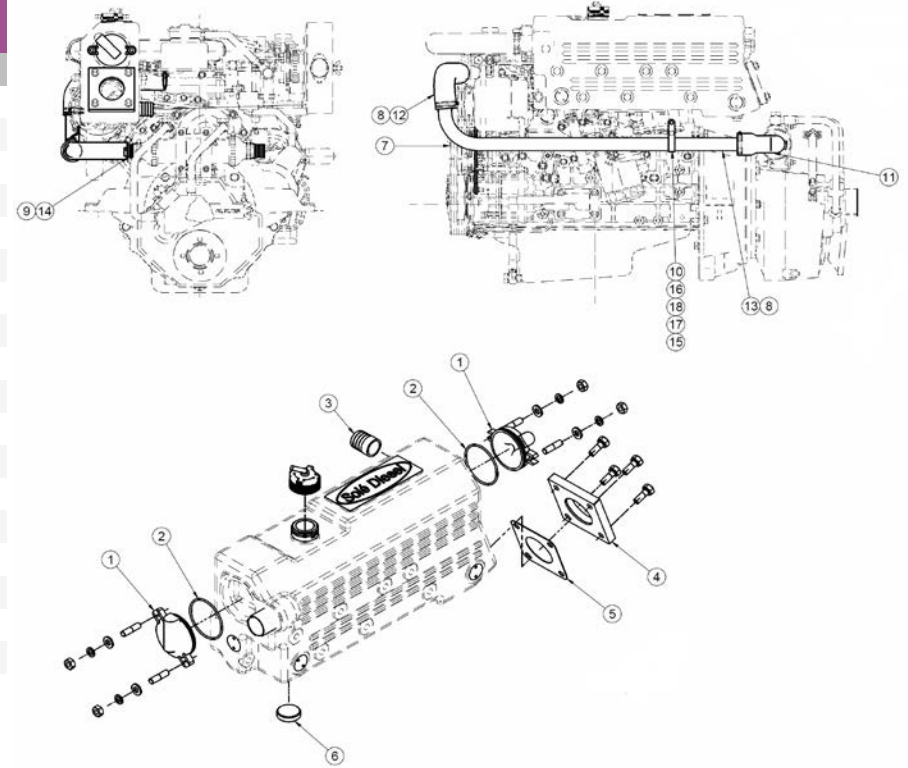


18210123		Kit Power Take-off D30			
FIG.	REF.	QTY	DESCR.	FROM	UPTO
1	18222024.1	1	Pulley		
2	18210034	1	Crankshaft Cone		
3	18210084	1	Power Take-off Shaft, D30MM		
4	18210085	1	KEY DIN 6885A 8-7-55		
5	53033008	4	Washer GROWER DIN 127-8		
6	52103263	4	Bolt DIN 912 M8-50 8.8		
7	60500064	1	BUTT Washer		
8	53033010	1	Washer GROWER DIN 127-10		
9	52102309	1	Bolt DIN 933 M10-30 8.8		





18211200		Kit Refroid. Quille et Esc.Sec TM-93/345			
FIG.	REF.	QTY	DESCR.	FROM	UPTO
1	18011102	2	Cover,Water Cooler		
2	18011008	2	O-Ring D. 72X3		
3	60180007	1	Outlet Coupling	20/02/2014	
4	18013016	1	Exhaust Flange (S)		
5	16513002	1	Exhaust Elbow Gasket		
6	18211008	1	Plug		
7	18220047	1	Cover Front		
8	54082032	2	Clamp DIN 3017 32-50/12 W4		
9	54082025	1	Clamp DIN 3017 25-40/12 W4		
10	18211010	1	Clamp		
11	18211009	1	Pipe		
12	16711034	1	Elbow 40-200-200		
13	17411011	1	Pipe		
14	18011026	2	Pipe		
15	52120006	1	Nut DIN 934 M6 8.8		
16	51030006	1	Washer DIN 125-6		
17	53033006	1	Washer GROWER DIN 127-6		
18	52102155	1	Bolt DIN 933 M6-12 8.8		
NS	58088280	2	Pastic Cable Zip Tie [NS]		



[NS] Not shown





60982133		Kit 2nd Panel SVT 40 SN-85/110 12V			
FIG.	REF.	QTY	DESCR.	FROM	UPTO
1	60982130	1	SVT 30 SN-85/110 Panel	15/06/2016	
2	60982132	1	SVT 40 SN-85/110 Panel	15/06/2016	
3	60900210.2	1	T Double Panel DERIVATION	15/06/2016	

