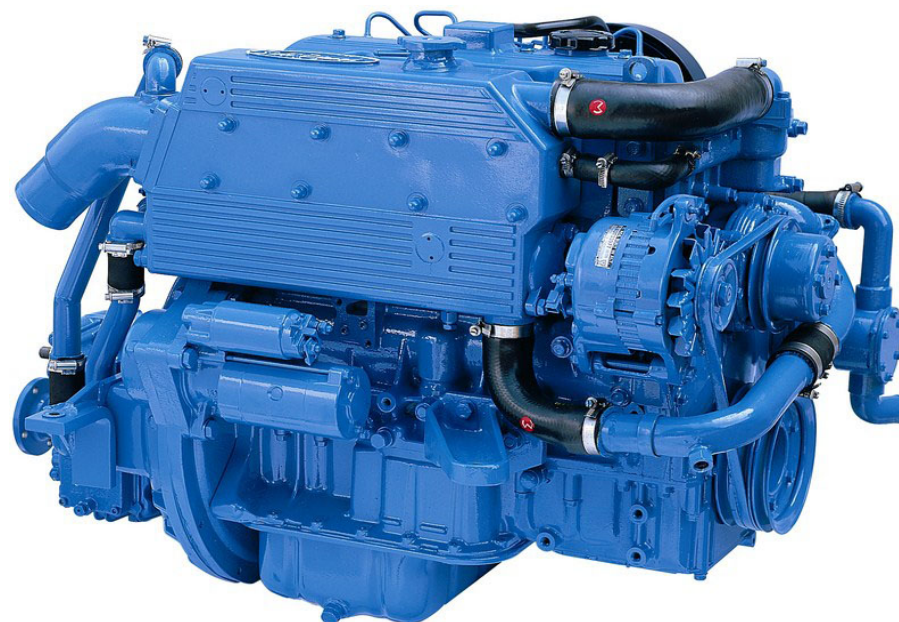




Engine SM-75
VERSION 2017-8
SPARE PARTS MANUAL



PARTS LIST CATALOGUE

NORMS TO PLACE AN ORDER:

For fast and more efficient service, please specify the following information on spare parts orders that must be preferably done by FAX or e-mail as specified below:

- 1- Engine model: As shown in identification plate
- 2- Engine serial number: As shown in identification plate and stamped on crankcase
- 3- Item description + part number + quantity required

Spare parts requests must be addressed to:

recambios@solediesel.com

Telf.: +34 93 775 44 05

Fax: +34 93 775 30 13

The components shown in the catalog have:

- Figure: Number by which they are represented in scheme
 - Description: Trade name of the component
 - Quantity: Total number of parts used in the assembly of the part represented (may differ from the total minimum quantities)
- Hoses, indicates the total length in meters

The diagrams shown in this catalog of spare parts, have only the purpose to identify the piece in question, its representation is not meaningful and may differ from the actual piece.

In case of doubt, contact Solé Diesel, or your authorized dealer.

The parts i / or references in this catalog are subject to change without notice.

[SOLE, S.A.](#)

C-243b, Km, 2 - P.O. BOX 15
08760 Martorell (Barcelona) Spain

Download the latest version of this manual [HERE](#)

Contents



Engine Body

Cylinder Head
Timing Parts
Crankcase
Pisnton & Crankshaft & Flywheel
Oil Sysem
Oil Pan
Engine Brackets
Bracket, Engine Control & Pump,oil Sucti

Inlet & Exhaust

Inlet

Cooling System

Water Pump
Cooler Pipes
Wet Exhaust

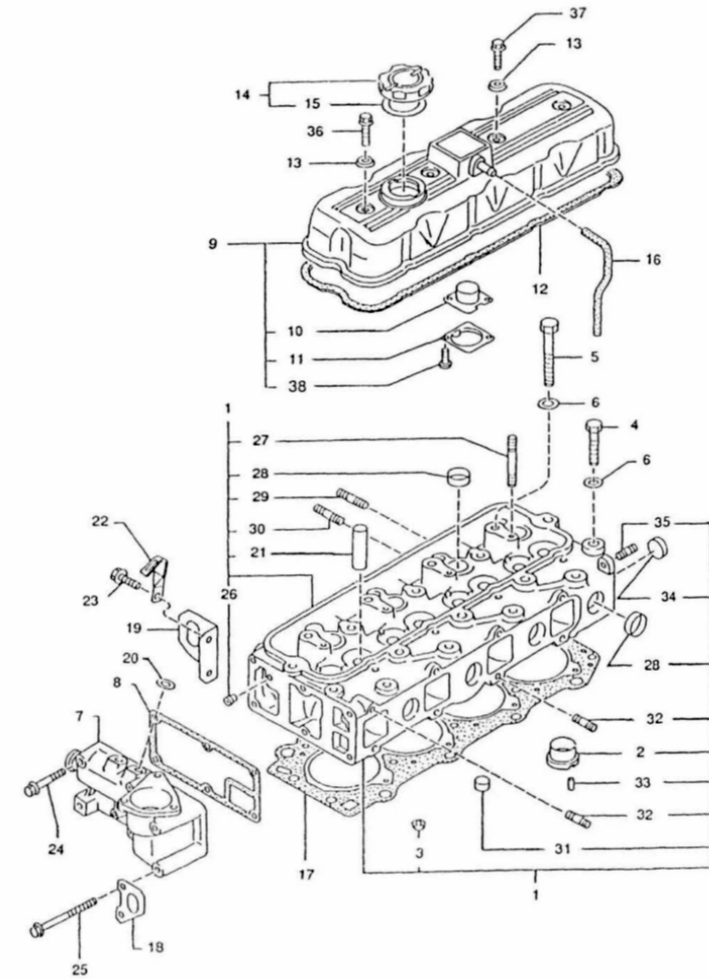
Fuel System

Fuel Pipe
Injection Nozzle
Fuel Injection Pump 1
Fuel Injection Pump 2
Fuel Injection Pump 3
Fuel Filter

12V Electrical System

12V Electrical Wiring
Deluxe Instrument Panel

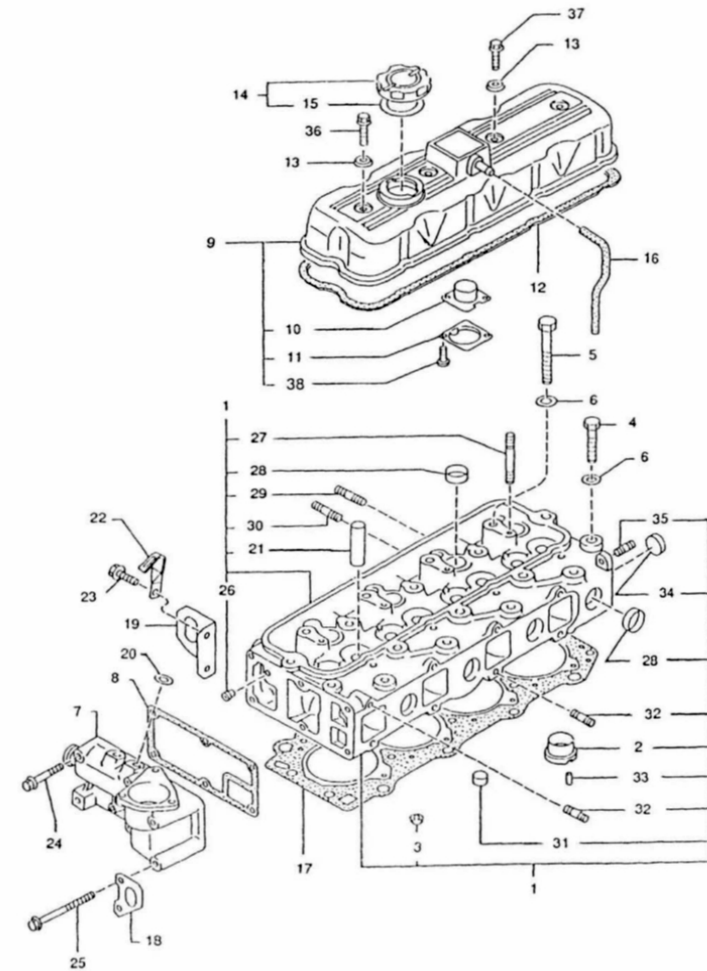
D_SM75_1_1		Cylinder Head			
FIG.	REF.	QTY	DESCR.	FROM	UPTO
1	18121001	1	Head,cylinder		
2	18121016	4	Insert		
3	18021017	4	Washer,welch		
4	18021005	11	Bolt,cylinder head		
5	18021013	7	Bolt,cylinder head		
6	18021007	18	Washer,plain		
7	18021037	1	CASING,thermostat		
8	18021033	1	Gasket,thermostat		
9	18021009	1	Cover,cylinder head		
10	18021015	1	Plate,baffle		
11	18021012	1	Plate,oil baffle		
12	18021010	1	Gasket,head cover		
13	18021008	4	Washer,sealing head cover		
14	18021003	1	Cap Oil Filler		
15	18021022	1	Gasket		
16	18021026	1	Hose,BREATHER [NP]		
17	18121004	1	Gasket,cylinder head		
18	18021011	1	Hanger,engine		
19	18021019	1	Hanger,engine front		
20	18021070	1	O-Ring		
21	18021002	8	Guide,valve		
22	18021038	1	Clip		
23	18021063	2	Bolt		
24	18021062	4	Bolt		
25	18021061	2	Bolt		
26	18021064	1	Plug-Hex.Socket		
27	18021080	4	Stud		
28	18021060	1	Cap, Sealing [NP]		
29	18021065	4	Stud		
30	18021066	4	Stud		
31	18021059	1	Cap Sealing [NP]		
32	18021058	8	Stud		
33	18021081	1	Pin		
34	18021057	1	Plug [NP]		
35	18021082	1	Stud		



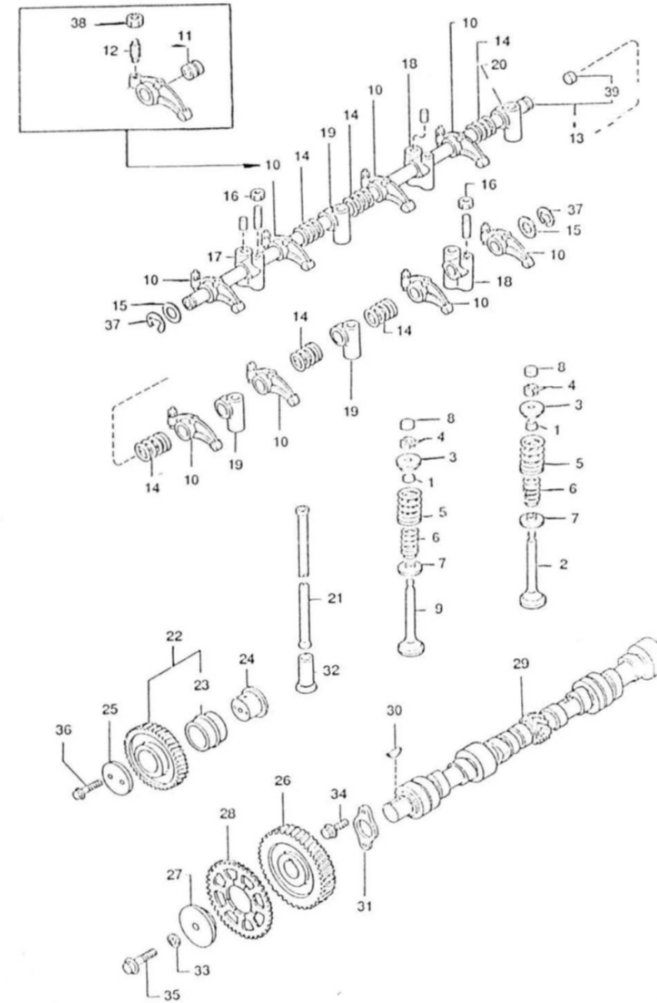
[NP] Not provided



D_SM75_1_1		Cylinder Head			
FIG.	REF.	QTY	DESCR.	FROM	UPTO
36	18021069	2	Bolt		
37	18021068	2	Bolt		
38	18021067	2	Bolt		



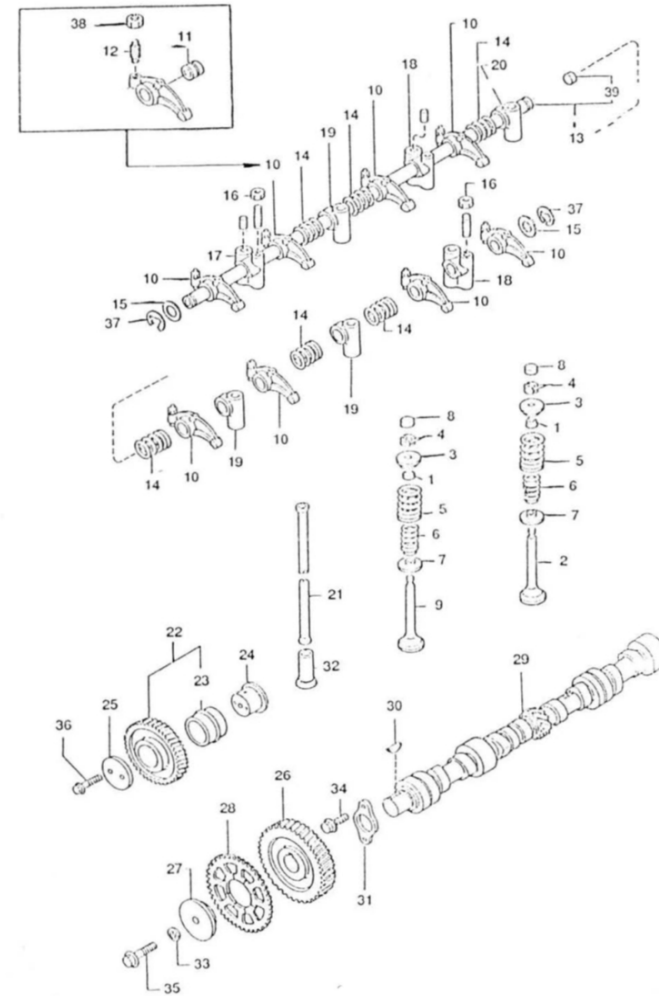
D_SM75_1_4		Timing Parts				
FIG.	REF.	QTY	DESCR.	FROM	UPTO	
1	18122054	4	Seal, valve			
1	18122068	4	Seal, valve			
2	18122055	4	Intake Valve			
3	18022058	8	Seat, valve spg-up			
4	18022059	16	COTTER, valve			
5	18022057	8	Spring, out-valve			
6	18022157	8	Spring, valve-in			
7	18022158	8	Seat, valve spg-lwr			
8	18022159	8	Valve Plug			
9	18122056	4	Exhaust Valve			
10	18022054	8	ARM, rocker			
11	18022070	8	Bush, rocker arm			
12	18022044	8	Screw, tapped adjust [NP]			
13	18022046	1	Shaft, rocker arm-in			
14	18022047	6	Spring, rocker arm			
15	18022010	2	Washer			
16	18022045	2	Nut			
17	18022053	1	Bracket, rocker			
18	18022052	2	Bracket, rocker			
18	18021060	3	Cap, Sealing [NP]			
19	18022050	3	Bracket, rocker			
20	18022051	1	Bracket, rocker			
21	18022041	8	Rod, push			
22	18022043	1	Gear, idle			
23	18022071	1	Bush, idle Gear			
24	18022072	1	Spindle, idle Gear			
25	18022074	1	Plate, thrust			
26	18022037	1	Gear, cam			
27	18022076	1	Washer, lock			
28	18122066	1	Gear, friction			
29	18022035	1	CamShaft			
30	18022120	1	KEY, woodruff			
31	18022075	1	Plate, thrust			
32	18022078	8	Tappet			
33	18022092	1	Washer, plain [NP]			



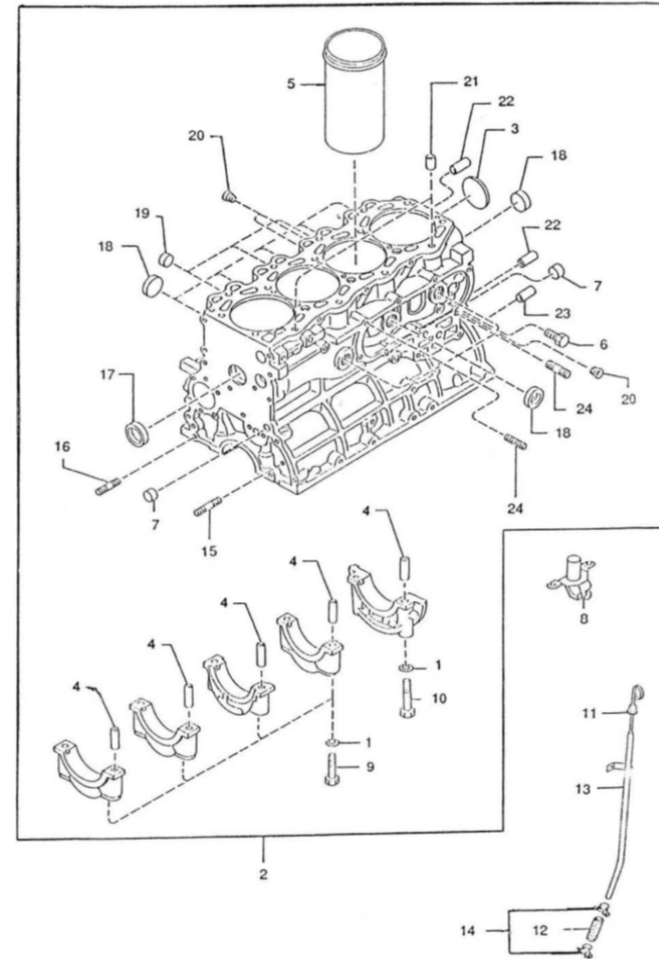
[NP] Not provided



D_SM75_1_4		Timing Parts				
FIG.	REF.	QTY	DESCR.	FROM	UPTO	
34	18021069	1	Bolt			
35	18022090	1	Bolt			
36	18020090	1	Bolt			
37	18022084	2	Circlip			
38	18022082	8	Nut			
39	18020059	1	Plug			



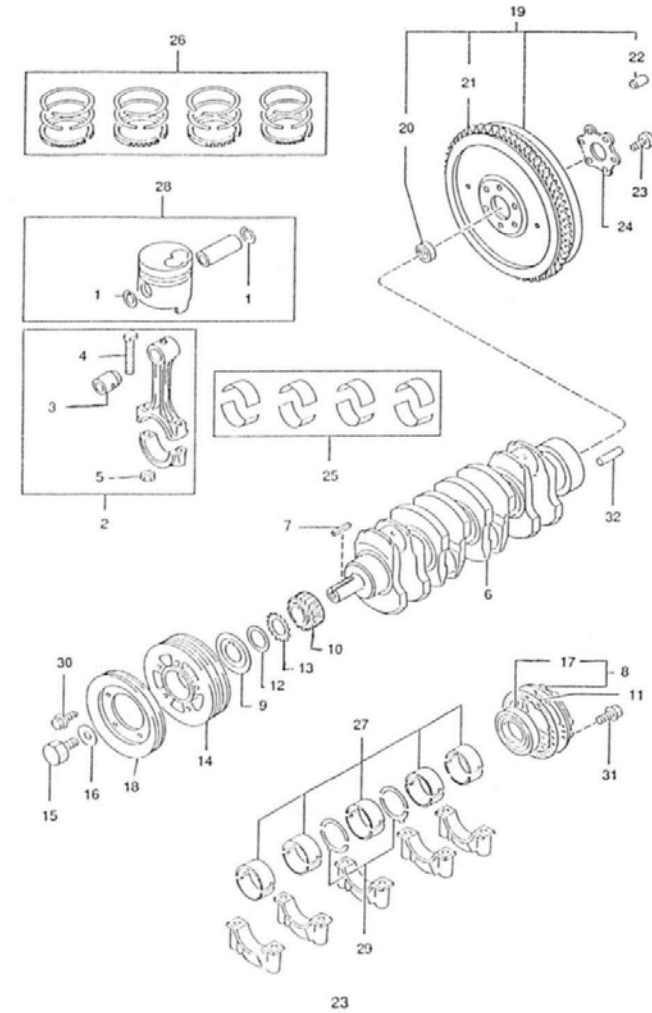
D_SM75_1_6		Cranckcase				
FIG.	REF.	QTY	DESCR.	FROM	UPTO	
1	*	10	Not available [NP]			
2	18120001	1	Block,cylinder			
3	18020013	1	Plug,camShaft [NP]			
4	18020002	10	Pin,tubular			
5	18120050	4	Liner,cylinder			
6	18020012	1	Plug			
7	18020023	2	Plug,blind [NP]			
8	18020021	1	Pipe,seal [NP]			
9	18020009	8	Bolt Bearing Cap			
10	18020019	2	Bolt [NP]			
11	18120029	1	Gauge Oil Level			
12	18020027	1	Holder,gauge pipe [NP]			
14	18020068	2	Clam			
15	18020056	1	Stud			
16	18020070	1	Stud			
17	18020053	1	Cap,SealING [NP]			
18	18021060	3	Cap, SealING [NP]			
19	18021059	1	Cap Sealing [NP]			
20	18021064	2	Plug-Hex.Socket			
21	18020062	1	Pin,tubular			
22	18020057	2	Knock Pin			
23	18020061	1	Knock Pin			
24	18020060	2	Stud			
13	18020007	1	Pipe,oil gauge			



[NP] Not provided



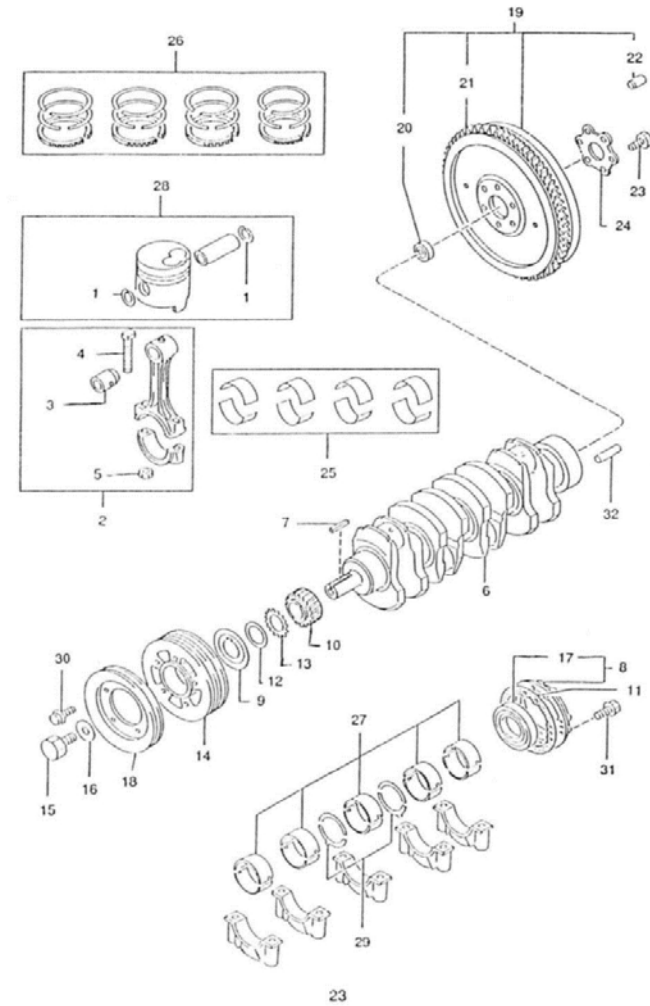
D_SM75_1_9		Pisnton & Crankshaft & Flywheel				
FIG.	REF.	QTY	DESCR.	FROM	UPTO	
1	18122032	8	Ring,retaining			
2	18122012	4	Rod,connecting			
3	18122033	4	Bush,connecting rod			
4	18122013	8	Bolt,connecting rod [NP]			
5	18022011	8	Nut,connecting rod			
6	18122018	1	CrankShaft			
7	18022020	1	Key [NP]			
8	18020045	1	Cap,oil seal			
9	18022034	1	Plate,baffle			
10	18022021	1	Gear,crankShaft			
11	18020046	1	Gasket,oil seal cap			
12	18120028	1	Spring,friction Gear			
13	18120038	1	Gear,friction			
14	18022024	1	Pulley CrankShaft			
15	18022026	1	Bolt,pulley			
16	18022025	1	Washer,plain			
17	18020008	1	Seal,oil			
18	18022019	1	Pulley			
19	18022027	1	Flywheel Assy			
20	18022042	1	Ball Bearing 6202-Z			
21	18022029	1	Gear,ring flywheel			
22	18022065	2	Pin,knok			
23	18022031	6	Bolt,lock flywheel			
24	18022028	1	Washer,plain			
25A	18122014	1	Metal Set,conn. rod std.			
25B	18122016	1	Metal Set,conn. rod 0.508			
25C	18122017	1	Metal Set,conn. rod 0.762			
25D	18122015	1	Metal Set,conn. rod 0.254			
26	18122006	1	Ring Set,piston std.			
27A	18120003	1	Bearing Set,crank std.			
27B	18120004	1	Bearing Set,crank 0.254			
27C	18120005	1	Bearing Set,crank 0.508			
27D	18120006	1	Bearing Set,crank 0.762			
28	18122001	4	Piston Set,std			
29A	18120025	1	Metal Set,thrust std.			



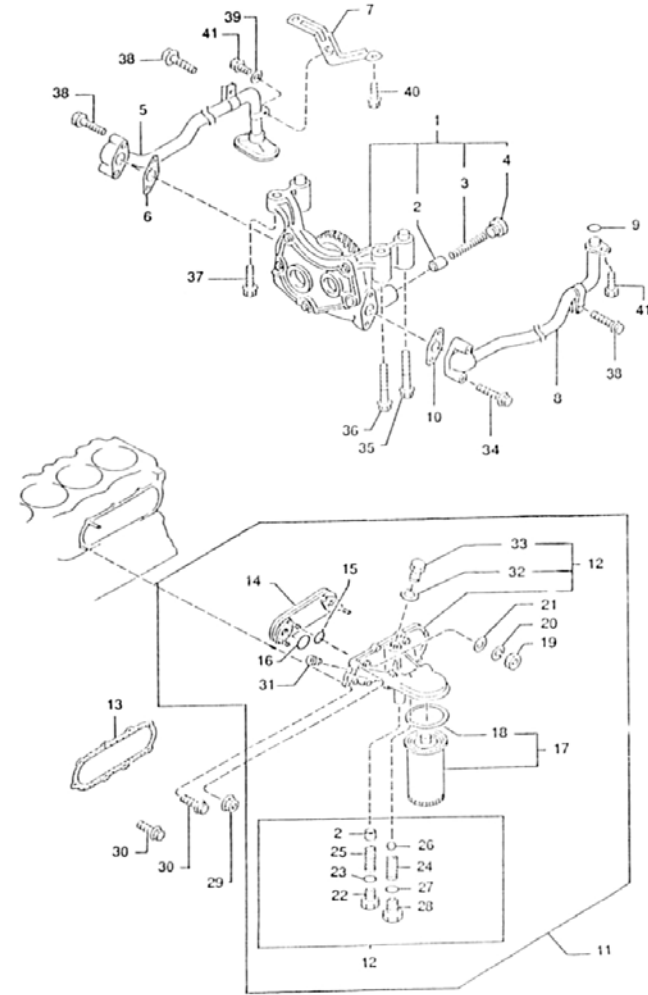
[NP] Not provided



D_SM75_1_9		Pisnton & Crankshaft & Flywheel			
FIG.	REF.	QTY	DESCR.	FROM	UPTO
29B	18120026	1	Metal Set,thrust o.s.		
30	18022049	1	Bolt		
31	18020080	1	Bolt		
32	18020103	1	Pin,dowel		



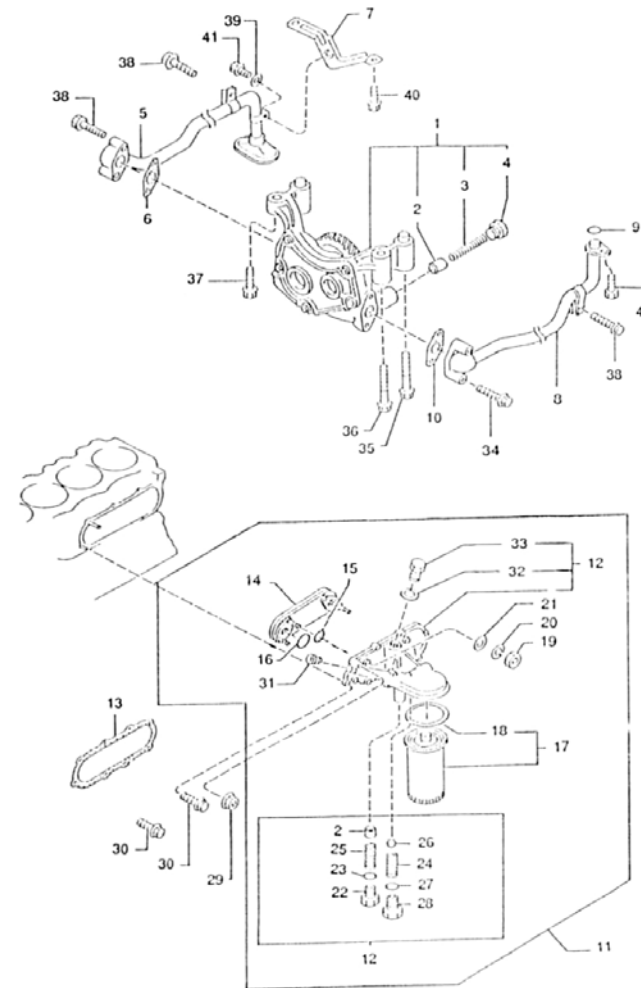
D_SM75_1_10		Oil Sysem				
FIG.	REF.	QTY	DESCR.	FROM	UPTO	
1	18024040	1	Pump,oil			
2	18024065	2	Plunger,control [NP]			
3	18024064	1	Spring,pressure			
4	18024063	1	Plug			
5	18024062	1	Strainer,oil			
6	18024067	1	Gasket,oil strainer asbestos			
7	18024068	1	Bracket,oil strainer			
8	18024069	1	Pipe,oil			
9	18024059	1	O-Ring D. 17x2,5			
10	18024001	1	Gasket,oil pipe asbestos [NP]			
11	18024057	1	Filter,oil			
12	18024056	1	Filter,oil [NP]			
13	18024033	1	Gasket			
14	18024070	1	Cooler,oil			
15	18024071	4	O-Ring D. 11X2			
16	18024072	2	O-Ring D. 26X3,5			
17	18024051	1	Oil Filter Element [NP]			
18	18124073	1	Joint			
19	18024153	4	Nut DIN 934 M10-1,25 EXA.14			
20	18024008	4	Washer GROWER DIN 127-10			
21	18024074	4	Washer DIN 433 10			
22	18024075	1	Plug			
23	18024076	1	O-Ring D. 14X2,4			
24	18024077	1	Spring			
25	18024078	1	Spring,valve			
26	18024143	1	Ball,steel 1/2"			
27	18024100	1	O-Ring D. 16X2,5			
28	18024103	1	Plug			
29	18020082	1	Nut DIN 934 M8 8.8			
30	18020087	2	Bolt			
31	18024111	1	Plug			
32	18024113	1	Washer,plain			
33	18024112	1	Screw			
34	18024106	1	Bolt [NP]			
35	18024109	1	Bolt [NP]			



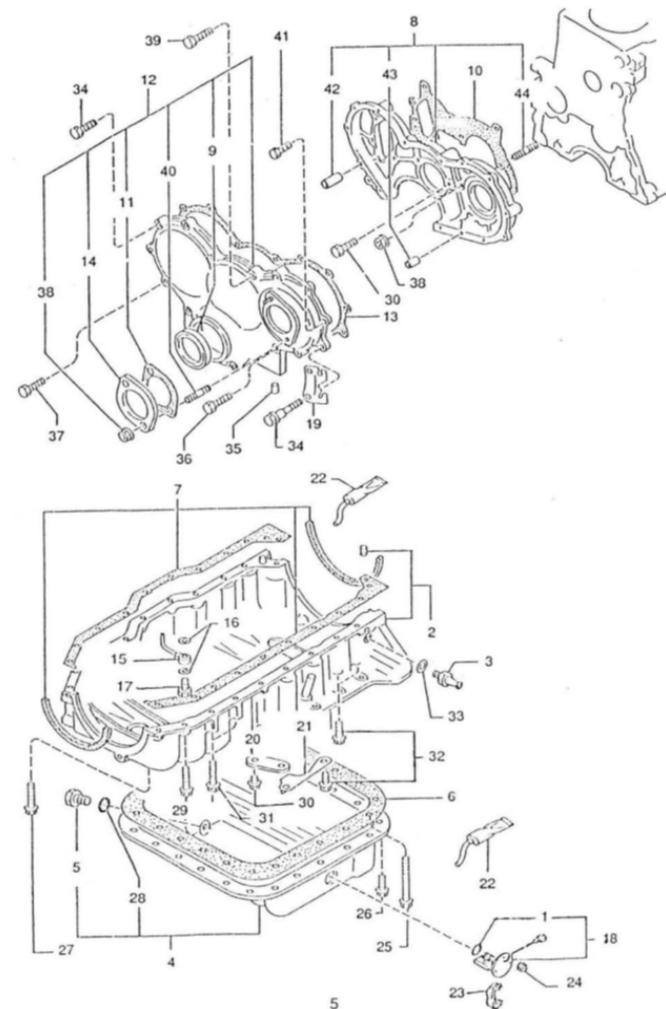
[NP] Not provided



D_SM75_1_10		Oil Sysem			
FIG.	REF.	QTY	DESCR.	FROM	UPTO
36	18024108	1	Bolt [NP]		
37	18024107	1	Bolt [NP]		
38	18024105	3	Bolt [NP]		
39	18024110	1	Washer		
40	18024104	1	Bolt [NP]		
41	18024077	1	Spring		



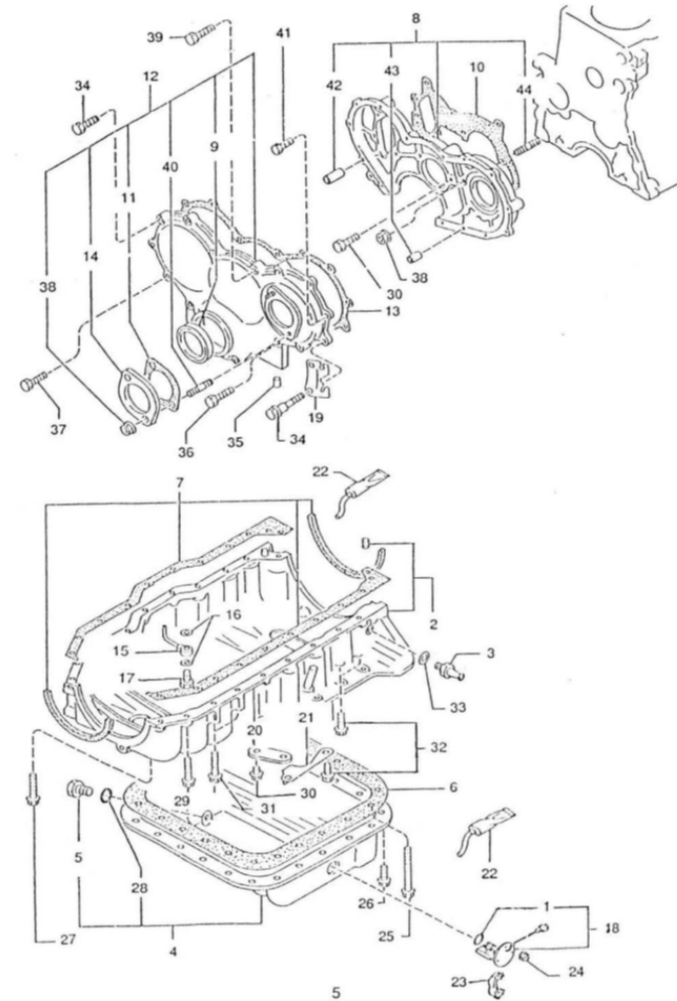
D_SM75_1_11		Oil Pan			
FIG.	REF.	QTY	DESCR.	FROM	UPTO
1	18120013	1	O-Ring D. 32X1,5		
2	18120031	1	Block,pan oil up		
3	18020032	1	Pipe,connector		
4	18120030	1	Pan,oil		
5	18020034	1	Plug [NP]		
6	18020135	1	Gasket,oil pan [NP]		
7	18020133	1	Gasket Set,oil pan [NP]		
8	18020035	1	Case,timing Gear		
9	18020039	1	Seal,oil		
10	18020018	1	Gasket,timing case		
11	18020047	1	Gasket,Gear cover		
12	18020048	1	Case Gear		
13	18020040	1	Gasket,timing cover		
14	18020015	1	Cover,injection pump		
15	18020049	4	JET,oil		
16	18020052	8	Gasket,oil jet [NP]		
17	18020051	4	Valve,oil jet		
18	18120040	1	Sensor,oil level		
19	18020071	1	Bracket,accel cable		
20	18020073	1	Bracket,strainer		
21	18020074	1	Bracket,oil pipe		
22	18020075	1	Tube, silicon		
23	18120070	2	Clip		
24	18020076	1	Nut DIN 934 M6 8.8		
25	18020096	1	Bolt		
26	18020089	1	Bolt		
27	18020097	1	Bolt		
28	18020086	1	Washer 14,3-22-1 [NP]		
29	18020087	1	Bolt		
30	18020077	2	Bolt		
31	18020090	1	Bolt		
32	18020088	2	Bolt		
33	18020092	1	Washer		
34	18020080	2	Bolt		
35	18020098	1	Pin,dowl		



[NP] Not provided

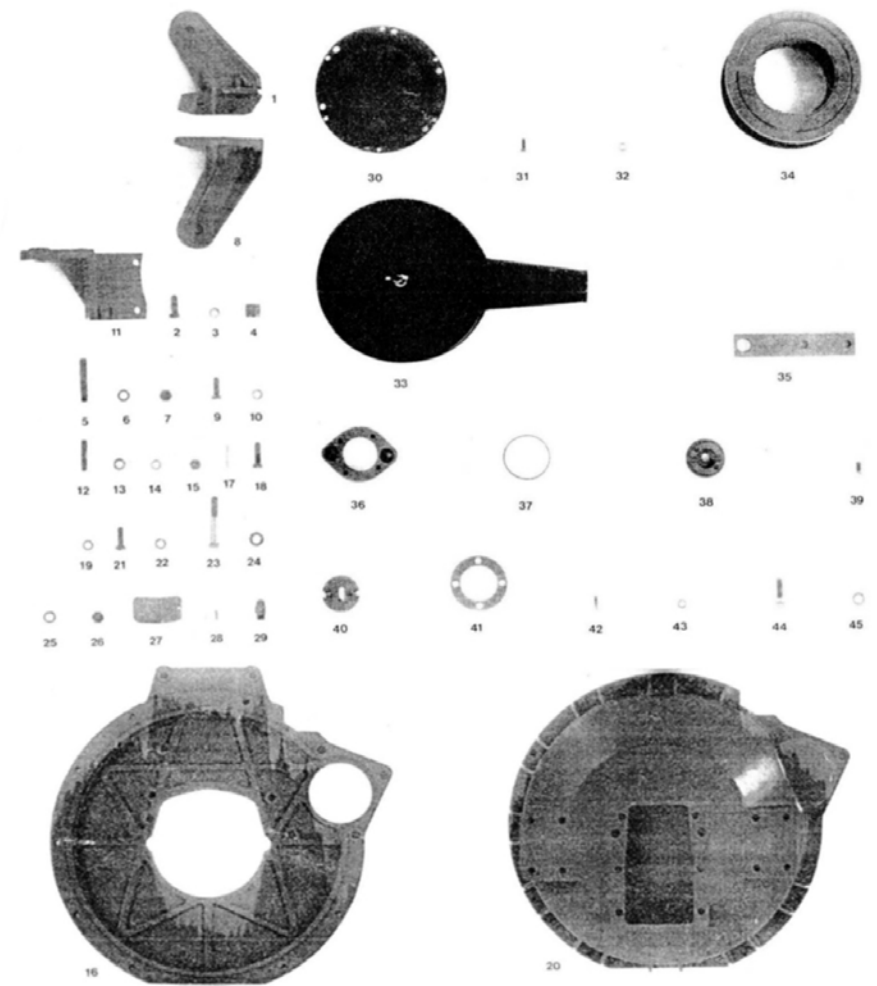


D_SM75_1_11		Oil Pan				
FIG.	REF.	QTY	DESCR.	FROM	UPTO	
36	18020099	1	Bolt			
37	18020081	1	Bolt			
38	18020082	2	Nut DIN 934 M8 8.8			
39	18021053	1	Bolt			
40	18020085	1	Stud [NP]			
41	18020083	1	Bolt			
42	18020078	1	Pin,tubular			
43	18020054	1	Pin,tubular			
44	18020095	1	Stud			





D_SM75_1_12		Engine Brackets			
FIG.	REF.	QTY	DESCR.	FROM	UPTO
1	18010005	1	Bracket Front, LEFT		
2	52202309	2	Bolt DIN 933 M10-1,25-30 8.8		
3	53033010	2	Washer GROWER DIN 127-10		
4	18010015	1	Spacer 12,5X25X21,5		
5	18010016	1	Stud		
6	53033012	1	Washer GROWER DIN 127-12		
7	52120012	1	Nut DIN 934 M12 8.8		
8	18010006	1	Bracket RIGHT, front		
9	52202309	3	Bolt DIN 933 M10-1,25-30 8.8		
10	53033010	3	Washer GROWER DIN 127-10		
11	18010007	2	REAR Bracket		
12	15211002	8	Stud		
13	51030010	8	Washer DIN 125-10		
14	53033010	8	Washer GROWER DIN 127-10		
15	52120010	8	Nut DIN 934 M10 8.8		
16	18010001	1	Plate,rear		
17	18010002	1	Pin		
18	52202310	8	Bolt DIN 933 M10-1,25-35 8.8		
19	53033010	8	Washer GROWER DIN 127-10		
20	18010012	1	Bell Housing,Gear box		
21	52102309	8	Bolt DIN 933 M10-30 8.8		
22	53038010	8	Washer DIN 6798-A 10		
23	52101368	3	Bolt DIN 931 M12-75 8.8		
24	51030012	6	Washer DIN 125-12		
25	53033012	3	Washer GROWER DIN 127-12		
26	52120012	3	Nut DIN 934 M12 8.8		
27	18010014	1	Cover		
28	55307104	2	Bolt DIN 86 W3/16-10		
29	13111039	1	Plug,taper		
30	14710070	1	Flexible Coupling Type A D. 185		
31	52102156	6	Bolt DIN 933 M6-16 8.8		
32	53033006	6	Washer GROWER DIN 127-6		
33	18010033	1	Air Filter Assy [NP]		
34	18010031	1	Filter,element		
35	18010008	1	HANGER,engine		

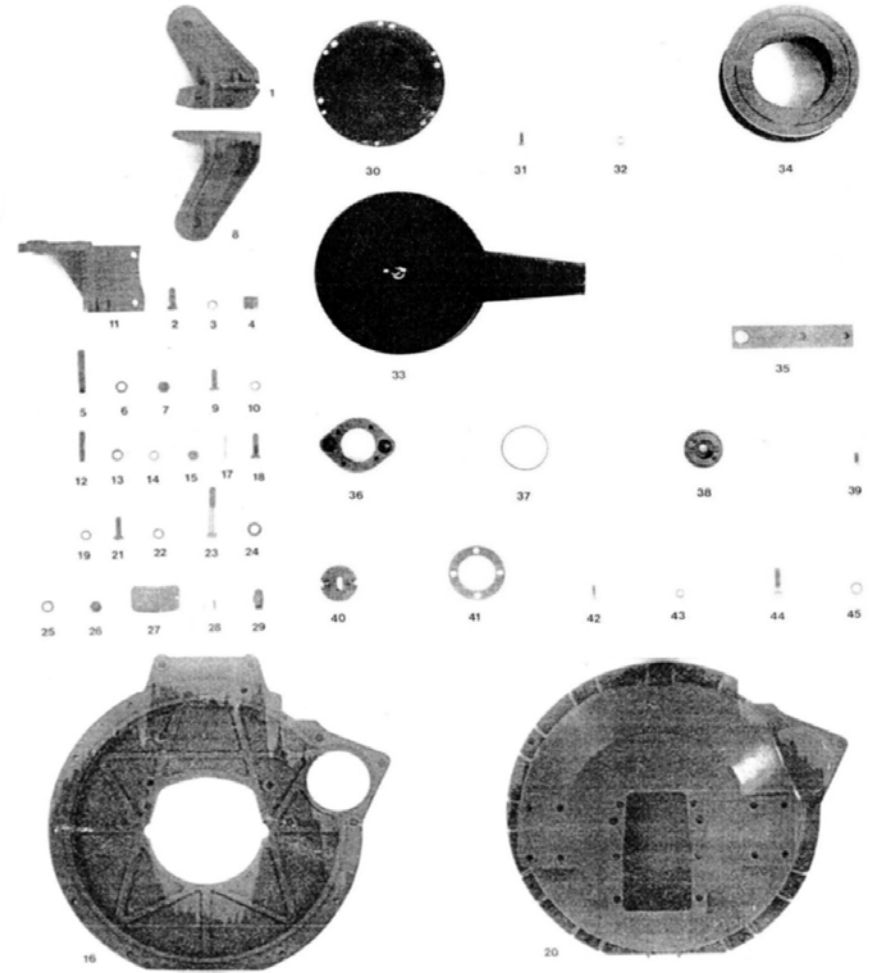


[NP] Not provided



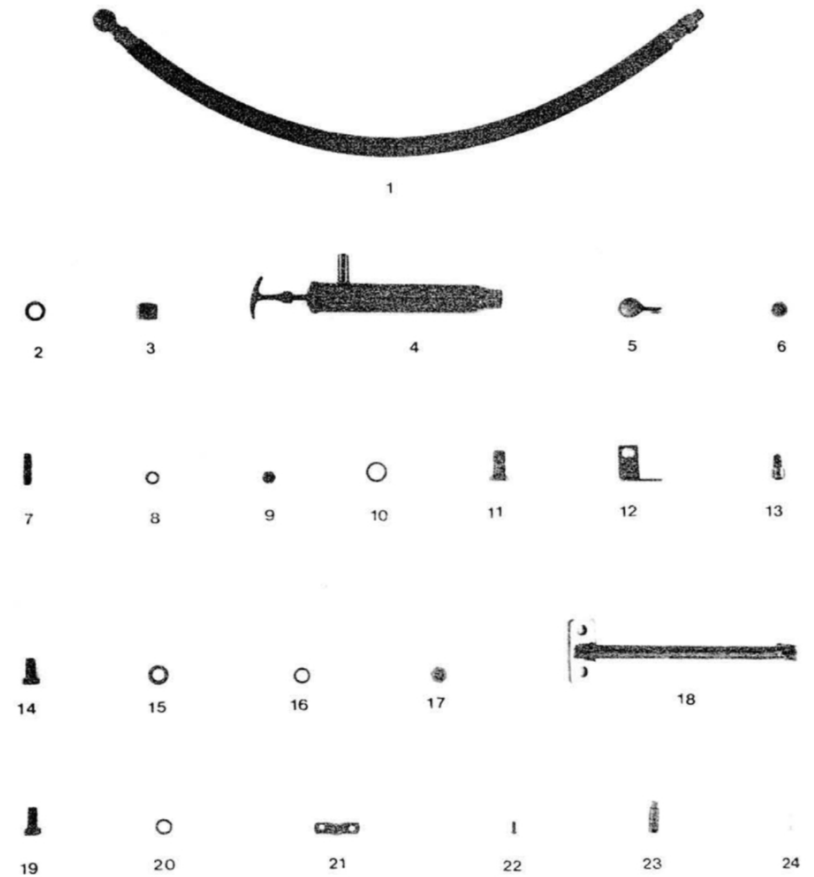


D_SM75_1_12		Engine Brackets			
FIG.	REF.	QTY	DESCR.	FROM	UPTO
36	18010010	1	Block,water pump		
37	18010011	1	O-Ring D. 60X2		
38	18010071	1	Coupling,drive		
39	18010072	2	Shaft,drive		
40	15310072	1	CrossHead		
41	13310013	1	Gasket,water pump		
42	52103156	4	Bolt DIN 912 M6-16 8.8		
43	51030006	4	Washer DIN 125-6		
44	52101310	6	Bolt DIN 931 M10-35 8.8		
45	53038010	6	Washer DIN 6798-A 10		

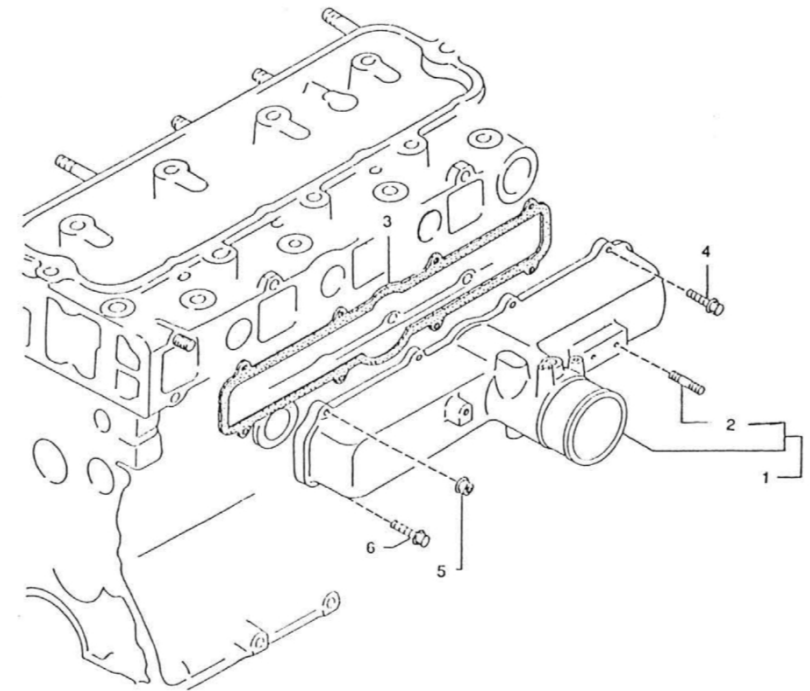




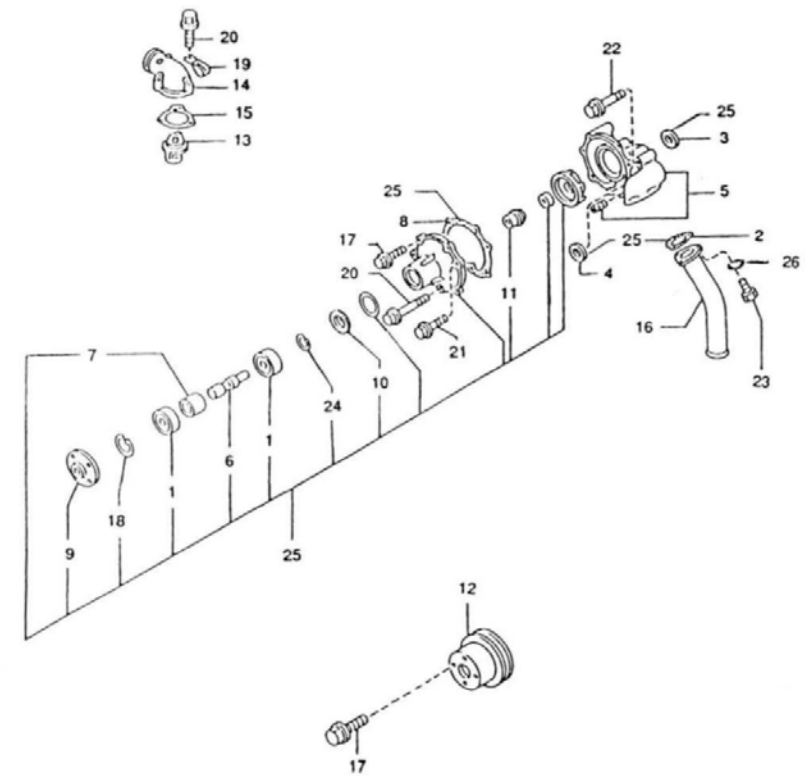
D_SM75_1_13		Bracket, Engine Control & Pump,oil Sucti			
FIG.	REF.	QTY	DESCR.	FROM	UPTO
1	18014021	1	Extraction Hose		
2	56000067	1	Washer 13-20-1,5		
3	16514020	1	Plug		
4	14714001	1	Pump,oil Suction		
5	18014022	1	Bracket,pipe		
6	12117044	1	Spacer		
7	12120018	1	Stud		
8	53033008	1	Washer GROWER DIN 127-8		
9	52120008	1	Nut DIN 934 M8 8.8		
10	56000020	2	Washer 14,3-22-1		
11	12814051	1	Screw,eye		
12	18014001	1	Bracket,pump		
13	52103306	1	Bolt DIN 912 M10-15 8.8		
14	52102307	1	Bolt DIN 933 M10-20 8.8		
15	51030010	1	Washer DIN 125-10		
16	53033010	1	Washer GROWER DIN 127-10		
17	52120010	1	Nut DIN 934 M10 8.8		
18	18019001	1	Bracket,engine control		
19	52202307	2	Bolt DIN 933 M10-1,25-20 8.8		
20	53033010	2	Washer GROWER DIN 127-10		
21	14719013	1	Clamp,cable		
22	55307104	2	Bolt DIN 86 W3/16-10		
23	18019015	1	Coupling,cable		
24	54051155	1	Pin DIN-94 1,6-16		



D_SM75_2_1		Inlet				
FIG.	REF.	QTY	DESCR.	FROM	UPTO	
1	18021030	1	Manifold Intake			
2	18021071	2	Stud			
3	18021032	1	Gasket,in. manifold			
4	18020087	1	Bolt			
5	18020082	1	Nut DIN 934 M8 8.8			
6	18020077	1	Bolt			



D_SM75_3_1		Water Pump				
FIG.	REF.	QTY	DESCR.	FROM	UPTO	
1	18021014	2	Ball Bearing 6204-2RSH			
2	18021043	1	Gasket,water pipe asbestos			
3	18021041	1	Gasket			
4	18021042	1	Gasket			
5	18021121	1	Body,water pump [NP]			
6	18021044	1	Shaft,water pump			
7	18021024	1	Spacer,bearing			
8	18021054	1	Gasket Water Pump			
9	18021045	1	Boss,w. pump pulley			
10	18021046	1	Plate,dust seal			
11	18021048	1	Seal,water pump			
12	18021021	1	Pulley,Water Pump [NP]			
13	18021027	1	Thermostat			
14	18021047	1	Cover,thermostat			
15	18121049	1	Gasket,thermostat cover			
16	18011011	1	Pipe,cooler to engine			
17	18021055	4	Bolt			
18	18021076	1	CIRClip DIN 472 I-47			
19	18021052	1	Clip			
20	18020080	3	Bolt			
21	18020087	1	Bolt			
22	18021053	1	Bolt			
23	52103256	3	Bolt DIN 912 M8-15 8.8			
24	18021075	1	CIRClip DIN 471 E-19 [NP]			
25	18021020	1	Fresh Water Pump			
26	53038008	3	Washer DIN 6798-A 8			

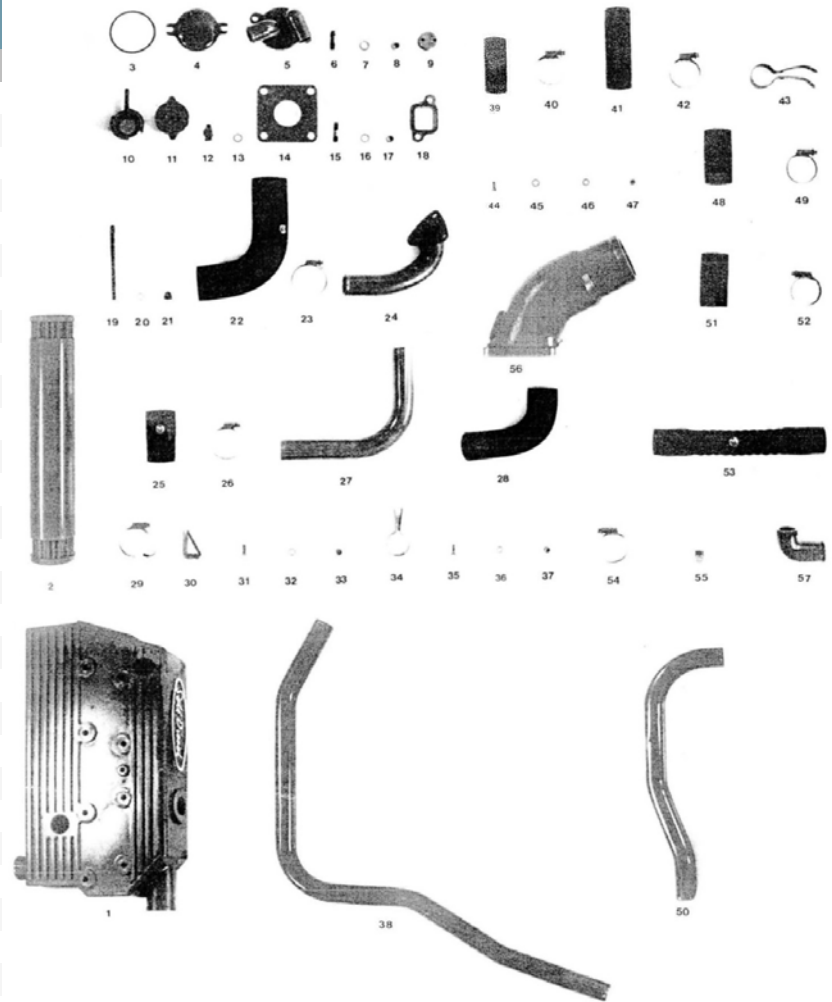


[NP] Not provided





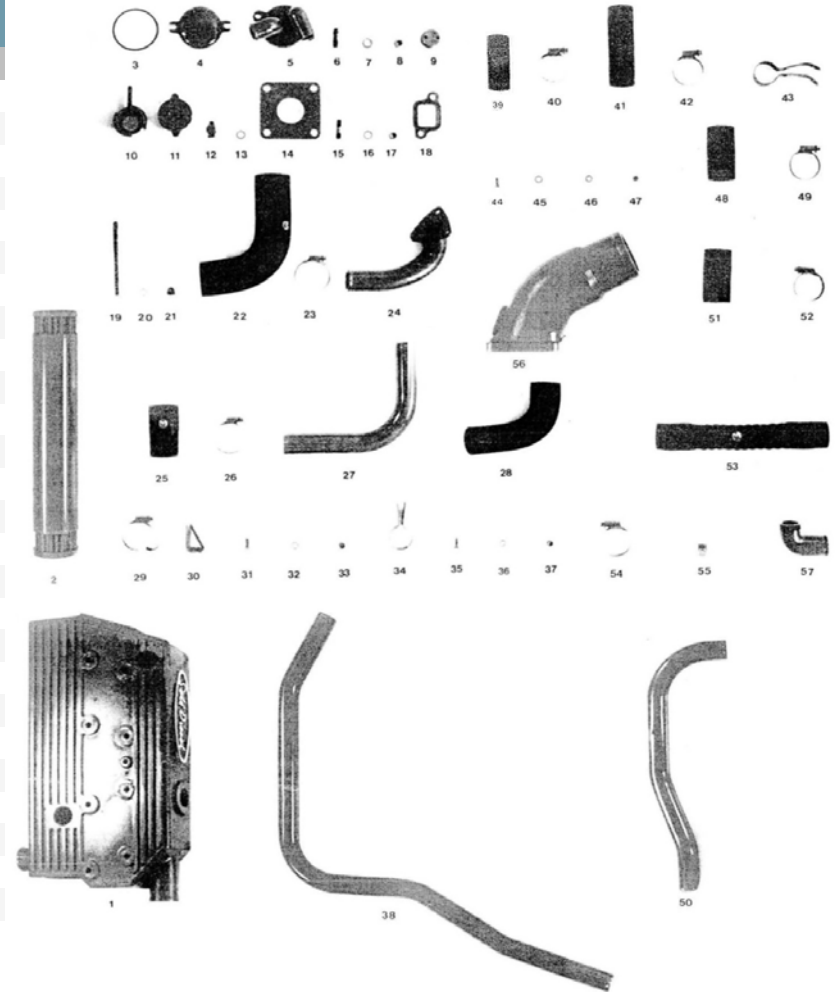
D_SM75_3_2		Cooler Pipes			
FIG.	REF.	QTY	DESCR.	FROM	UPTO
1	18011001	1	Body,water cooler [NP]		
1-17	18011000	1	Water Cooler		
2	18011004	1	Element,water cooler		
3	18011008	2	O-Ring D. 72X3		
4A	18011002	1	Cover Front,water cooler		
4B	18011009	1	Anode Plug		
4C	18011031	1	Engine Anode		
4D	56000073	1	Copper Washer 16-23-1,5		
5	18011003	1	Cover REAR,water cooler		
6	16511007	4	Stud		
7	51030010	4	Washer DIN 125-10		
8	54120010	4	Nut DIN 934 M10		
9	14711010	3	Plug 1"		
10	15111002	1	Cap Mouth		
11	14711003	1	Cap [NP]		18/01/2017
11	14711003.1	1	Cap		19/01/2017
12	13111038	1	Bolt DIN 933 M10-15 8.8		
13	56000061	1	Washer 10-16-1,5		
14	16513002	1	Exhaust Elbow Gasket		
15	16511007	4	Stud		
16	53033010	4	Washer GROWER DIN 127-10		
17	55120110	4	Nut DIN 934 M10		
18	18021035	4	Gasket Exhaust Manifold		
19	18011010	8	Stud		
20	56000057	8	Washer 8-13-1,5		
21	13211016	8	Nut DIN 1587 M8		
22	18011013	1	Elbow,engine water exhaust		
23	54082040	2	Clamp DIN 3017 40-60/12 W4		
24	18011011	1	Pipe,cooler to engine		
25	18011018	1	BUBBER Pipe		
26	54082032	2	Clamp DIN 3017 32-50/12 W4		
27	18011012	1	Pipe,engine to cooler		
28	18011017	1	Elbow		
29	54082032	2	Clamp DIN 3017 32-50/12 W4		
30	17011026	1	Bracket,pipe		



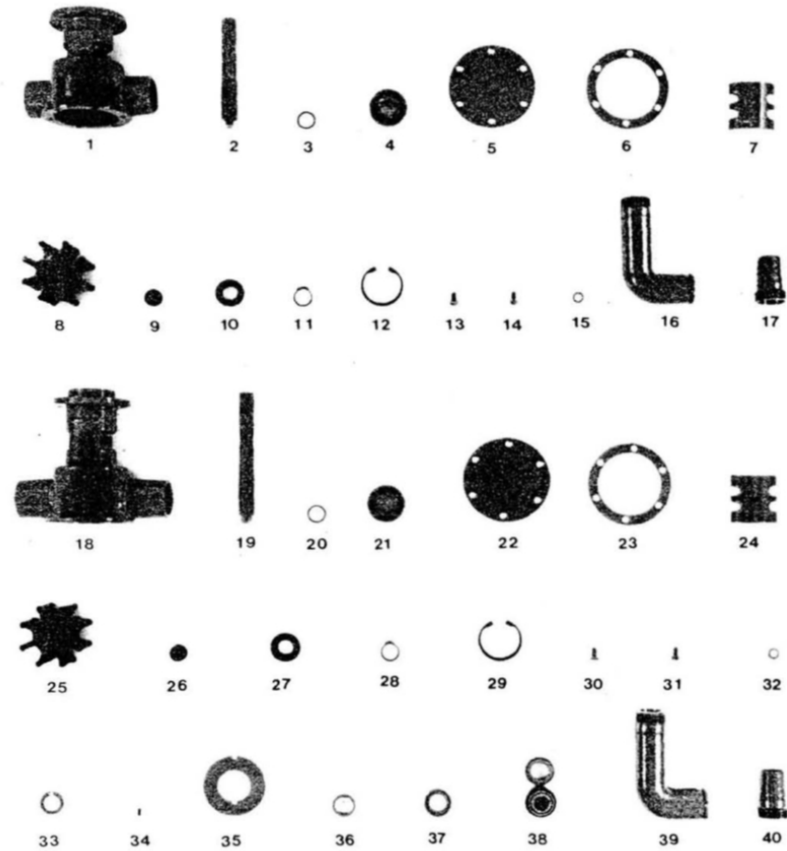
[NP] Not provided



D_SM75_3_2		Cooler Pipes				
FIG.	REF.	QTY	DESCR.	FROM	UPTO	
31	52102256	1	Bolt DIN 933 M8-15 8.8			
32	53033008	1	Washer GROWER DIN 127-8			
33	52120008	1	Nut DIN 934 M8 8.8			
34	18011014	1	Bracket,pipe			
35	52102156	1	Bolt DIN 933 M6-16 8.8			
36	53033006	1	Washer GROWER DIN 127-6			
37	52120006	1	Nut DIN 934 M6 8.8			
38	18011015	1	Pipe,water pump			
39	13211036	1	Pipe 30-40-100			
40	54082025	2	Clamp DIN 3017 25-40/12 W4			
41	13411036	1	Pipe 30-40-120			
42	54082025	2	Clamp DIN 3017 25-40/12 W4			
43	18011016	1	Bracket,pipe			
44	52102156	1	Bolt DIN 933 M6-16 8.8			
45	51030006	1	Washer DIN 125-6			
46	53033006	1	Washer GROWER DIN 127-6			
47	52120006	1	Nut DIN 934 M6 8.8			
48	15111028	1	Pipe 30-40-80			
49	54082025	2	Clamp DIN 3017 25-40/12 W4			
50	18011021	1	Pipe			
51	15111028	1	Pipe 30-40-80			
52	54082025	2	Clamp DIN 3017 25-40/12 W4			
53	18011020	1	Pipe			
54	54082025	2	Clamp DIN 3017 25-40/12 W4			
55	18011024	1	Plug			
56	16613015	1	Elbow, wet exhaust			
57	14711021	1	Hose N° 1			



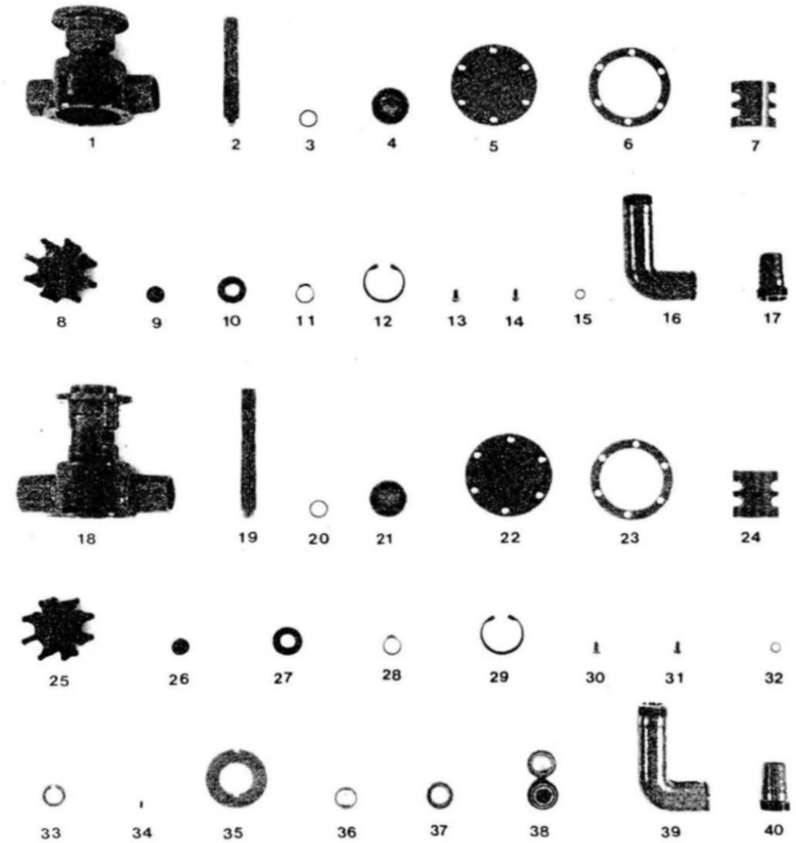
D_SM75_3_3		Wet Exhaust			
FIG.	REF.	QTY	DESCR.	FROM	UPTO
1	33311001	1	Body Water Pump		
1-15	33311000	1	1" Water Pump, Set [NP]		
2	33311010	1	Shaft Pump		
3	33311013	1	O-Ring D. 15X2		
4	33311014	2	Ball Bearing 6203		
5	34711002	1	Cover Pump		
6	34711003	1	Gasket Cover		
7	34711005	1	Cam 6,5 mm [NP]		
8	34711008	1	1" Impeller		
9	34711041	1	Impeller Plug		
10	35111020	2	Seal 15,87-28,57-7,93		
11	53040017	1	CIRClip DIN 471 E-17		
12	53041040	1	CIRClip DIN 472 I-40		
13	54108154	1	Bolt DIN 84 M6-10		
14	54108154	6	Bolt DIN 84 M6-10		
15	56000053	1	Washer 6-10-1,5		
16	14711028	1	Hose N° 4		
17	60151007	1	Hose Connection 1" x 27 [NP]		02/08/2017
17	60371058	1	Hose Connection 1" x 27	02/08/2017	
18	36511001	1	Body,water pump		
18-38	36511000	1	1" Water Pump, Set		
19	36511010	1	Shaft,pump		
20	33311013	1	O-Ring D. 15X2		
21	33311014	2	Ball Bearing 6203		
22	34711002	1	Cover Pump		
23	34711003	1	Gasket Cover		
24	34711005	1	Cam 6,5 mm [NP]		23/05/2017
24	37811005	1	Cam 6,5 mm	23/05/2017	
25	34711008	1	1" Impeller		
26	34711041	1	Impeller Plug		
27	36511020	1	Seal 16-30-7		
28	53040017	1	CIRClip DIN 471 E-17		
29	53041040	1	CIRClip DIN 472 I-40		
30	54108154	1	Bolt DIN 84 M6-10		
31	54102154	6	Bolt DIN 933 M6-10 INOX		



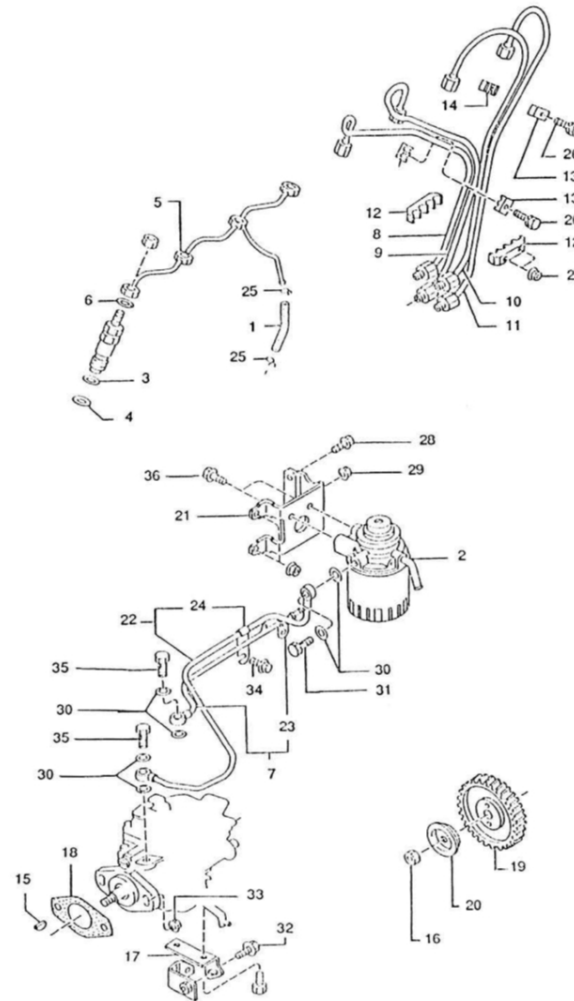
[NP] Not provided



D_SM75_3_3		Wet Exhaust			
FIG.	REF.	QTY	DESCR.	FROM	UPTO
32	56000053	1	Washer 6-10-1,5		
33	34711011	1	CIRClip E-16		
34	34711017	1	Pin,Dowel		23/05/2017
34	36511017	1	Pin,Dowel	23/05/2017	
35	34711026	1	Plate,Friction		
36	36511015	1	Spacer 17X24X7		
37	36511018	1	Washer,seal		
38	36511019	1	Seal		
39	14711028	1	Hose N° 4		
40	60151007	1	Hose Connection 1" x 27 [NP]		



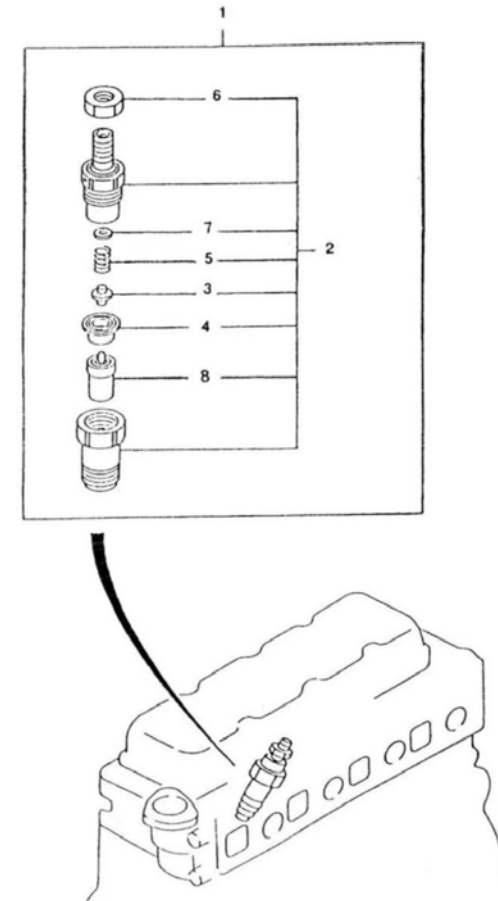
D_SM75_4_1 Fuel Pipe						
FIG.	REF.	QTY	DESCR.	FROM	UPTO	
1	18124026	1	Tube Gas-Oil Spill			
2	18124020	1	Filter,fuel			
3	18024013	4	Washer,nozzle			
4	18024029	4	Gasket,non asbestos			
5	18024031	1	Pipe,fuel leak [NP]			
6	18024032	4	Gasket,leak pipe			
7	18024034	1	Pipe,fuel pump feed			
8	18024015	1	Pipe Injection N.1			
9	18024016	1	Pipe Injection N.2			
10	18024019	1	Pipe Injection N.3			
11	18024022	1	Pipe Injection N.4			
12	18024038	2	Clip,injection pipe			
13	18024039	2	Clip,pipe			
14	18024041	2	Clip,injection pipe			
15	18024037	1	Key,woodruff			
16	18024042	1	Nut DIN 934 M12 8.8			
17	18024043	1	Stay,injection pump			
18	18024044	1	Gasket,inj.pump asbestos			
19	18024045	1	Gear,inj. pump			
20	18024046	1	Washer,plain			
21	18124043	1	Brakt,fuel filter			
22	18124047	1	Pipe,fuel			
23	18024049	1	Clip			
24	18024048	1	Clip			
26	18024052	2	Bolt [NP]			
27	18024053	1	Nut			
28	18024054	1	Bolt [NP]			
29	18024055	1	Nut			
30	18020092	3	Washer			
31	18024058	1	Bolt			
32	18024066	1	Bolt			
33	18020082	1	Nut DIN 934 M8 8.8			
34	18024060	1	Bolt			
35	18024061	2	Screw, Racord [NP]			



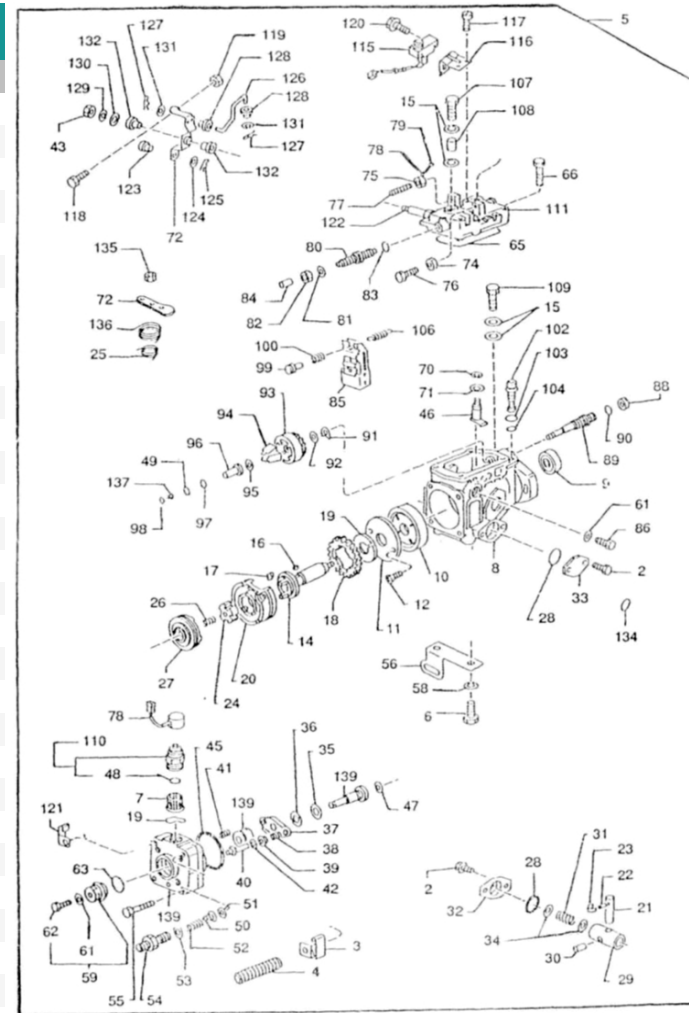
[NP] Not provided



D_SM75_4_2		Injection Nozzle				
FIG.	REF.	QTY	DESCR.	FROM	UPTO	
1	18126001	4	Holder, nozzle			
2	18126002	4	Holder, nozzle			
3	18126003	4	Rod, push-nozzle holder			
4	18126128	4	Sheet, nozzle spring			
5	18126004	4	Spring			
6	18126127	4	Nut, screw cap			
7A	18126006	4	Shim Adjusting T=1mm.			
7B	18126007	4	Shim Adjusting T=1,05mm.			
7C	18126008	4	Shim Adjusting T=1,1MM.			
7D	18126009	4	Shim Adjusting T=1,15mm.			
7E	18126010	4	Shim Adjusting T=1,2mm.			
7F	18126011	4	Shim Adjusting T=1,25mm.			
7G	18126012	4	Shim Adjusting T=1,3mm.			
7H	18126013	4	Shim Adjusting T=1,35mm.			
7I	18126014	4	Shim Adjusting T=1,4mm.			
7J	18126015	4	Shim Adjusting T=1,45mm.			
7K	18126016	4	Shim Adjusting T=1,5mm.			
7L	18126017	4	Shim Adjusting T=1,55mm.			
7M	18126019	4	Shim Adjusting T=1,6mm.			
7N	18126020	4	Shim ADJUSTIG T=1,65mm.			
7O	18126021	4	Shim Adjusting T=1,7mm.			
7P	18126022	4	Shim Adjusting T=1,75mm.			
7Q	18126023	4	Shim AJUSTING T=1,8mm.			
7R	18126124	4	Shim Adjusting T=1,85mm.			
7S	18126125	4	Shim Adjusting T=1,9mm.			
7T	18126126	4	Shim Adjusting T=1,95mm.			
8	18026018	4	Nozzle Assy SM-90			



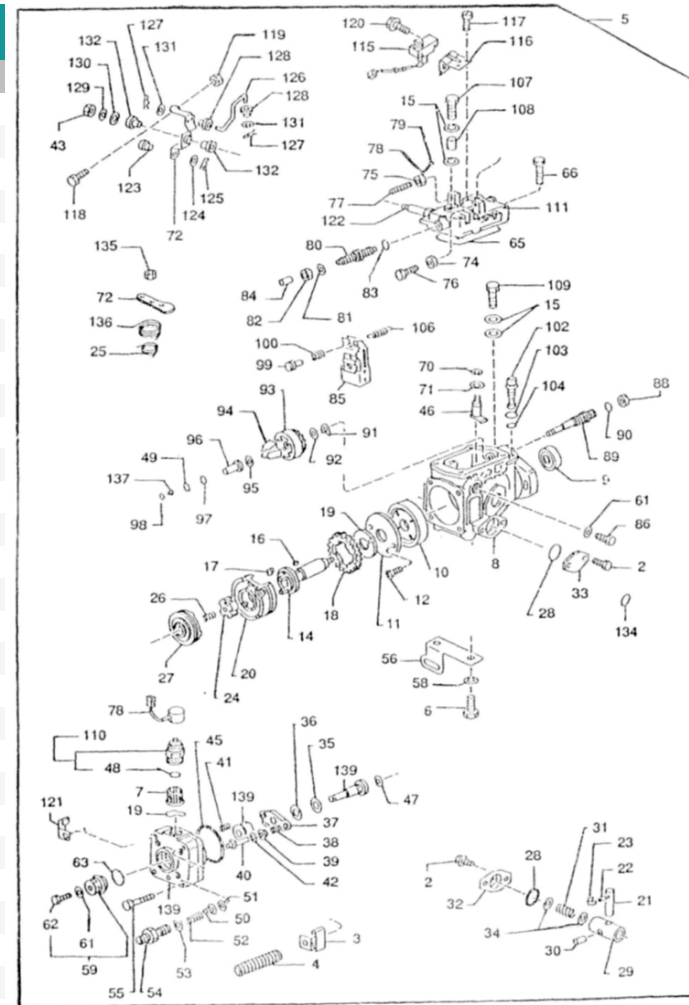
D_SM75_4_3_1		Fuel Injection Pump 1			
FIG.	REF.	QTY	DESCR.	FROM	UPTO
2	18125020	4	Screw		
3	18125021	1	Clip,eye-f.i. pump [NP]		
4	18125022	1	Cover [NP]		
5	18125001	1	Pump Assy,Fuel Injection		
6	18125023	2	Bolt		
7	18125024	1	Filter		
8	18125025	1	Housing		
9	18125026	1	Seal,oil		
10	18125027	1	Pump,feed		
11	18125028	1	Cover		
12	18125029	2	Screw		
14	18125031	1	Shaft,drive		
15	18125032	8	Gasket		
16	18125033	1	KEY		
17	18125034	2	Damper		
18	18125035	1	Gear		
19A	18125036	1	Washer		
19B	18125037	1	Washer		
20	18125040	1	Roller		
21	18125041	1	Pin		
22	18125045	1	Pin		
23	18125046	1	Clip		
24	18125047	1	Disk		
25	18125048	1	Spring		
26	18125049	1	Spring		
27	18125050	1	Cam DISC		
28	18125051	2	O-Ring D. 28X4,5		
29	18125052	1	Piston		
30	18125053	1	SLIDER		
31A	18125054	1	Spring,timer K=2,5Kg		
31B	18125061	1	Spring,timer K=2,3Kg		
31C	18125062	1	Spring,timer K=2,1Kg		
32	18125057	1	Cover		
33	18125059	1	Cover		
34A	18125068	2	Shim Adjusting T=0,9mm.		



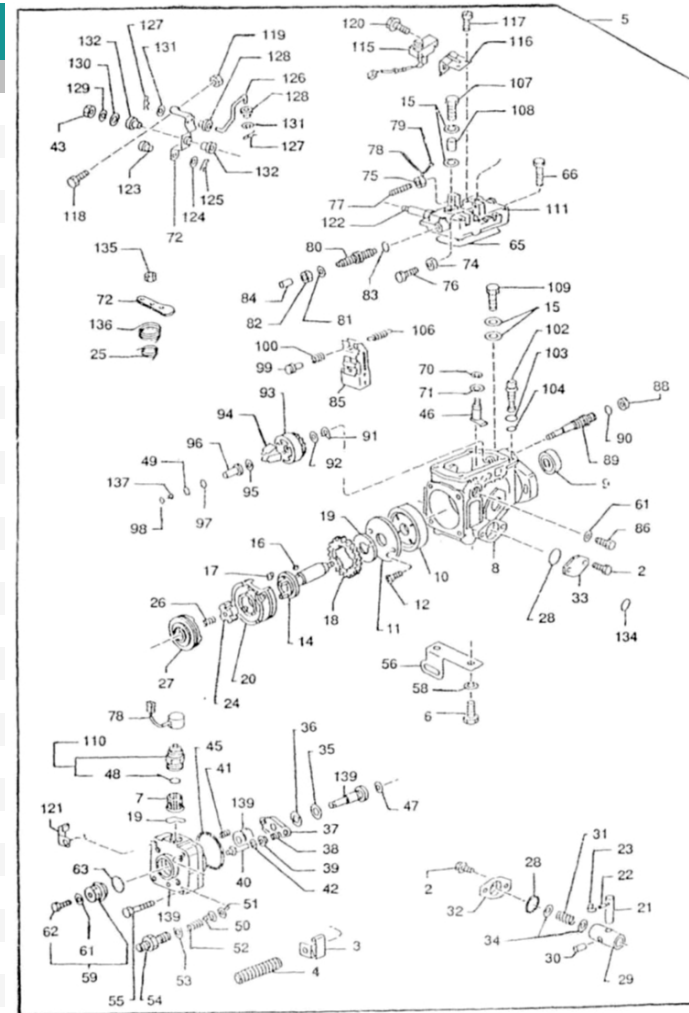
[NP] Not provided



D_SM75_4_3_1		Fuel Injection Pump 1			
FIG.	REF.	QTY	DESCR.	FROM	UPTO
34B	18125067	2	Shim Adjusting T=0,8mm.		
34C	18125063	2	Shim Adjusting T=0,2mm.		
34D	18125064	2	Shim Adjusting T=0,5mm.		
34E	18125069	2	Shim Adjusting T=1mm.		
34F	18125065	2	Shim Adjusting T=0,6mm.		
34G	18125066	2	Shim Adjusting T=0,7mm.		
35	18125071	1	Washer		
36	18125072	1	Washer		
37	18125073	1	SHEET,spring		
38	18125074	2	Spring,plunger		
39	18125075	2	Sheet,spring		
40	18125076	2	Pin,guide		
41	18125078	2	Spring		
42A	18125081	2	Shim Adjusting T=0,5mm.		
42B	18125082	2	Shim Adjusting T=0,8mm.		
42C	18125084	2	Shim Adjusting T=1mm.		
42D	18125086	2	Shim Adjusting T=1,2mm.		
42E	18125089	2	Shim Adjusting T=1,5mm.		
42F	18125091	2	Shim Adjusting T=1,8mm.		
42G	18125092	2	Shim Adjusting T=2mm.		
42H	18125083	2	Shim Adjusting T=0,9mm.		
42I	18125085	2	Shim Adjusting T=1,1mm.		
42J	18125087	2	Shim Adjusting T=1,3mm.		
42K	18125088	2	Shim Adjusting T=1,4mm.		
43	18125093	1	Pickup,tachometer [NP]		
45	18125105	1	O-Ring D. 62X1,5		
46	18125110	1	Shaft,governor		
47A	18125111	1	Shim Adjusting T=1,9mm.		
47B	18125112	1	Shim Adjusting T=2mm.		
47C	18125113	1	Shim T=2,1mm		
47D	18125114	1	Shim T=2,2mm		
47E	18125115	1	Shim T=2,3mm		
47F	18125116	1	Shim T=2,4mm		
47G	18125117	1	Shim T=2,5mm		
47H	18125118	1	Shim T=2,6mm		
47I	18125119	1	Shim T=2,7mm		
47J	18125121	1	Shim T=2,8mm		
47K	18125122	1	Shim T=2,9mm		



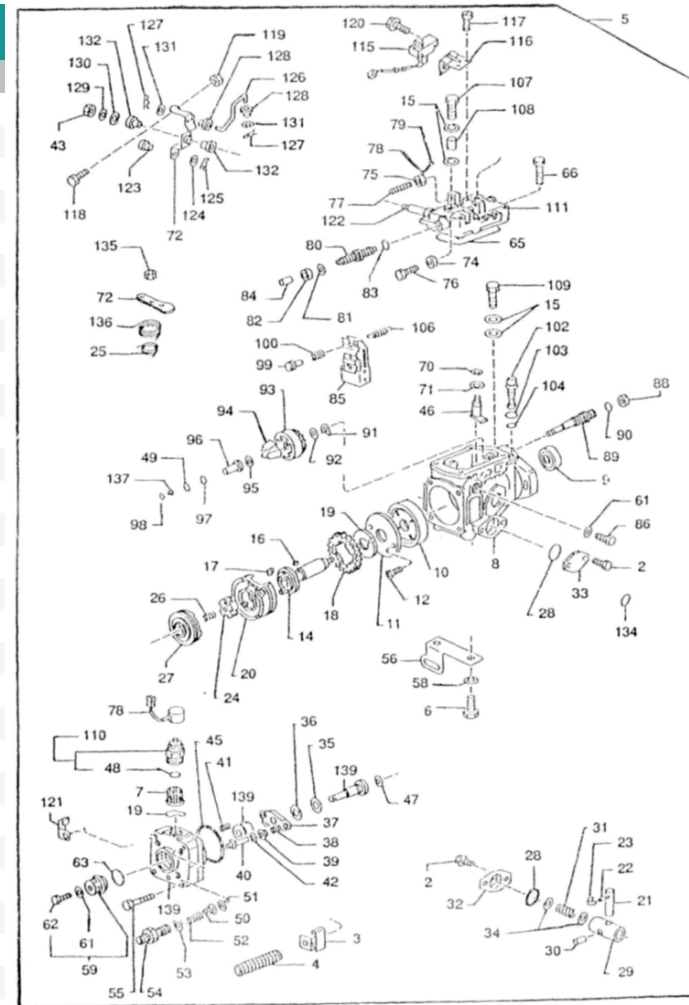
D_SM75_4_3_2		Fuel Injection Pump 2			
FIG.	REF.	QTY	DESCR.	FROM	UPTO
48	18125125	1	O-Ring D. 15X1,8		
49	18125130	1	Ring,stop		
50	18125140	4	Valve,delivery		
51A	18125135	4	Gasket		
52	18125142	4	Spring,d.v.		
53	18125143	4	Washer		
54	18125144	4	Holder,d.v.		
55	18125145	4	Screw		
56	18125147	1	Bracket		
58	18125149	2	Washer,spring		
59	18125151	1	Plug		
61	18125154	3	Gasket		
62	18125152	1	Bolt		
63	18125153	1	O-Ring D. 32X2,4		
65	18125162	1	Ring,seal		
66	18125163	4	Screw		
70	18125171	1	O-Ring D. 8X2		
71	18125172	1	Washer		
72A	18125174	1	Lever		
72B	18125175	1	Lever		
72C	18125176	1	Lever		
74	18125181	1	Nut		
75	18125182	1	Nut		
76	18125183	1	Bolt		
77	18125184	1	Screw		
78A	18125185	1	Wire [NP]		
78B	18125186	1	Wire		
79	18125187	1	Wire		
80	18125191	1	Screw,load		
81	18125194	1	Washer		
82	18125195	1	Nut		
83	18125196	1	O-Ring D. 6X2		
84	18125197	1	COLLAR		
85	18125200	1	Lever,governor		
86	18125201	2	Bolt,pivot		



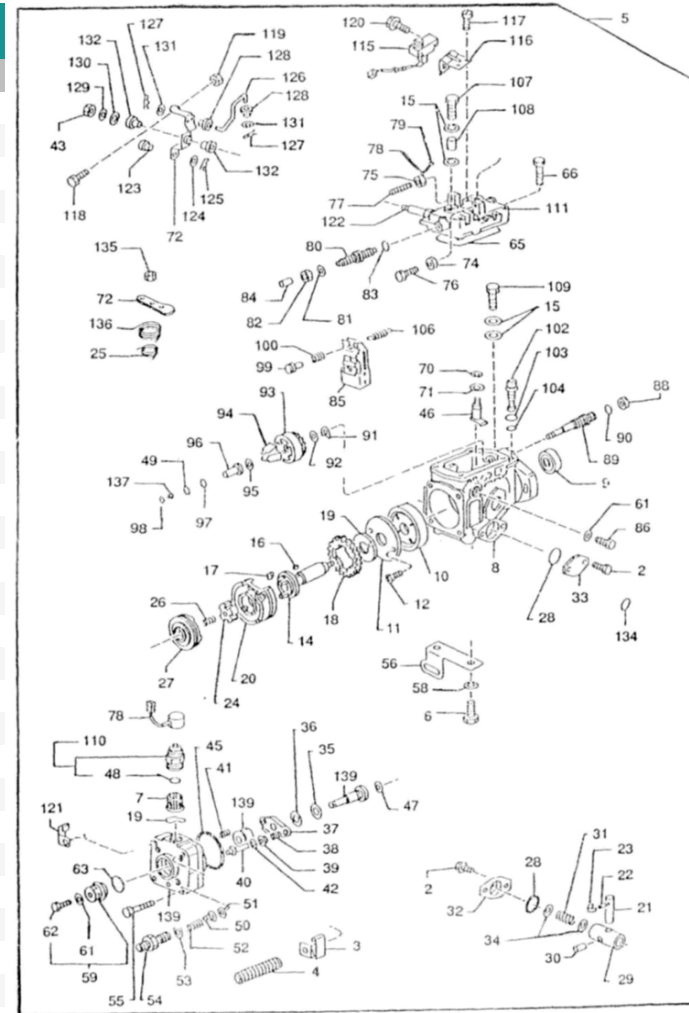
[NP] Not provided



D_SM75_4_3_2		Fuel Injection Pump 2			
FIG.	REF.	QTY	DESCR.	FROM	UPTO
88	18125221	1	Nut		
89	18125222	1	Shaft,governor		
90	18125223	1	O-Ring D. 8X2		
91A	18125224	1	Shim Adjusting T=1,05mm.		
91B	18125225	1	Shim Adjusting T=1,25mm.		
91C	18125226	1	Shim Adjusting T=1,45mm.		
91D	18125228	1	Shim Adjusting T=1,65mm.		
91E	18125230	1	Shim Adjusting T=1,85mm.		
91F	18125227	1	Shim Adjusting T=1,55mm.		
91G	18125229	1	Shim Adjusting T=1,75mm.		
92	18125238	1	Washer		
93	18125231	1	Holder FLYWEIGHT		
94	18125232	4	Flyweight		
95	18125233	1	Washer		
96	18125234	1	SLEEVE,governor [NP]		
97	18125235	1	Plug		
98Ñ	18125634	1	Plug,closing L=2,9mm		
98A	18125236	1	Plug,closing L=3,5mm [NP]		
98B	18125237	1	Plug,closing L=3,6mm [NP]		
98C	18125622	1	Plug,closing L=3mm		
98D	18125623	1	Plug,closing L=3,1mm		
98E	18125624	1	Plug,closing L=3,2mm		
98F	18125625	1	Plug,closing L=3,3mm		
98G	18125626	1	Plug,closing L=3,4mm		
98H	18125627	1	Plug,closing L=2,2mm		
98I	18125628	1	Plug,closing L=2,3mm		
98J	18125629	1	Plug,closing L=2,4mm		
98K	18125630	1	Plug,closing L=2,5mm		
98L	18125631	1	Plug,closing L=2,6mm		
98M	18125632	1	Plug,closing L=2,7mm		
98N	18125633	1	Plug,closing L=2,8mm		
99	18125261	1	Pin,retaining		



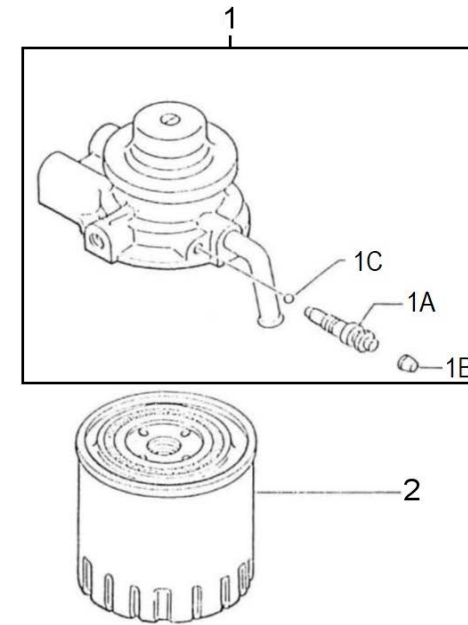
D_SM75_4_3_3 Fuel Injection Pump 3					
FIG.	REF.	QTY	DESCR.	FROM	UPTO
100	18125265	1	Spring		
102	18125270	1	Valve,regulating		
103	18125271	1	O-Ring D. 10X2		
104	18125272	1	O-Ring D. 8,5X1,8		
106	18125275	1	Spring,governor		
107	18125280	1	Valve,overflow		
108	18125282	2	Collar		
109	18125291	1	Bolt,eye		
110	18125293	1	Valve,magnet		
111	18125301	1	Cover,governor		
115	18125310	1	SWITCH,micro [NP]		
116	18125312	1	Bracket		
117	18125313	2	Screw [NP]		
118	18125314	1	Bolt [NP]		
119	18125315	1	Nut [NP]		
120	18125316	2	Screw [NP]		
121	18125317	1	Clip [NP]		
122	18125321	1	Shaft		
123	18125322	1	Pin		
124	18125323	1	Washer		
125	18125324	1	Pin		
126	18125325	1	ROD		
127	18125326	2	Pin		
128	18125327	2	Bush		
129	18125328	1	Washer,spring		
130	18125329	1	Washer		
131	18125332	2	Washer		
132	18125333	2	Bush		
134	18125335	1	O-Ring D. 12X1,7		
135	18125336	1	Nut		
136	18125337	1	Spring		
137	18125338	1	Bearing,ball		
139	18125094	1	Head,distributor		
NS	18125600	1	Repair Kit,f.i.p. [NS]		



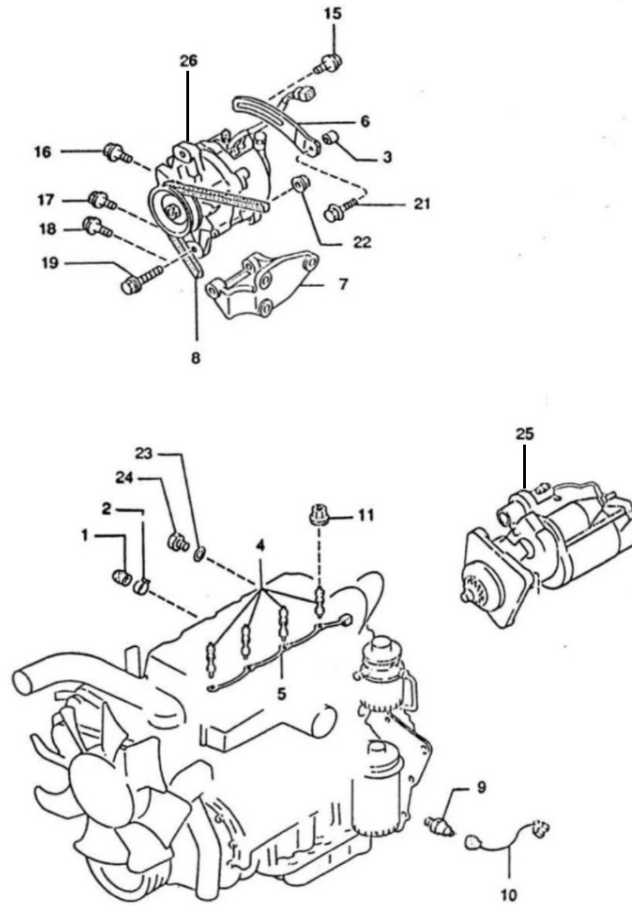
[NP] Not provided
 [NS] Not shown



D_SM75_4_5		Fuel Filter				
FIG.	REF.	QTY	DESCR.	FROM	UPTO	
1	18124040	1	Cover			
2	13324182	1	Gas-Oil Filter Element		18/05/2015	
1A	18124045	1				
1B	18124046	1	Plug			
1C	18024102	1	Ball			
2	17114022	1	Gas-Oil Filter Element	18/05/2015		



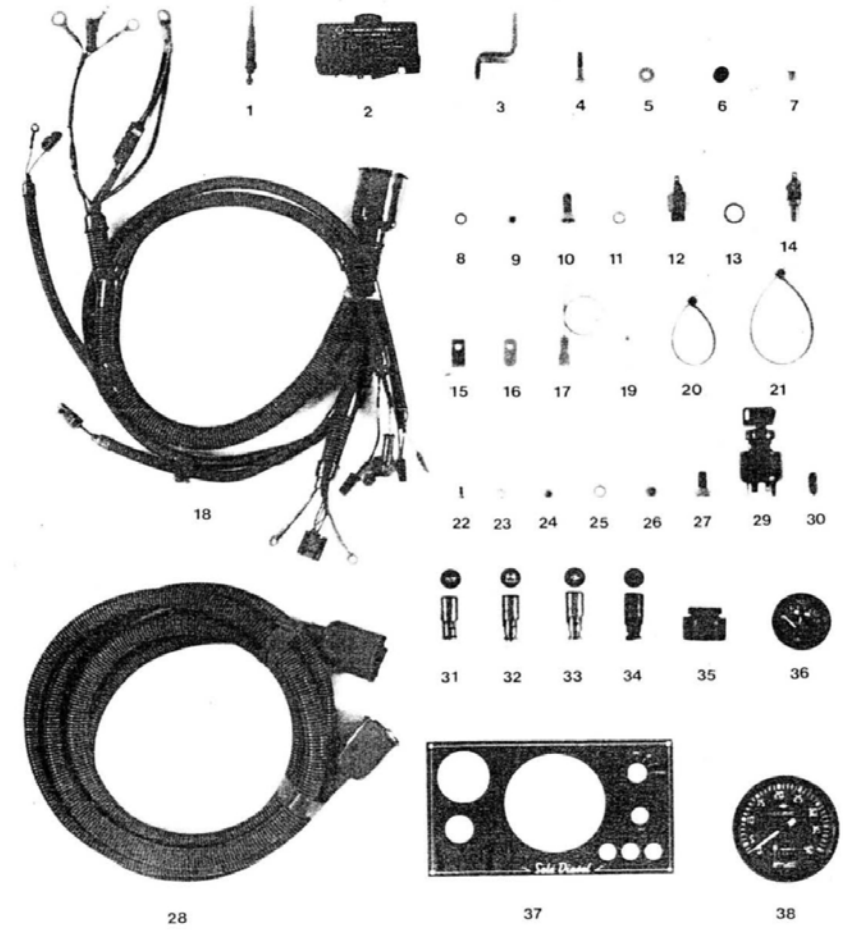
D_SM75_5_1		12V Electrical Wiring				
FIG.	REF.	QTY	DESCR.	FROM	UPTO	
1	18027023	1	Plug			
2	18027024	1	Clip,hose			
3	18027015	1	Spacer			
4	18027017	4	Plug Glow			
5	18027018	1	Cord,glow			
6	18027007	1	Strap,alternator			
7	18027154	1	Bracket,alternator			
8	18021028	1	Belt Type A 42 1067			
9	18027027	1	SWITCH, oil pressure [NP]			
10	18027028	1	Cord,pressure switch			
11	18027008	4	Nut,flange-glow plug			
15	18027063	1	Bolt			
16	18024107	1	Bolt [NP]			
17	18027085	1	Bolt			
18	18027087	1	Bolt			
19	18027068	1	Bolt			
21	18020081	1	Bolt			
22	18027069	1	Nut			
23	18027070	1	Washer			
24	18027071	1	Screw			
25	18027001	1	Starter Assy 12 V			
26	18017010.1	1	Alternator 14/70A			



[NP] Not provided



D_SM75_5_4		Deluxe Instrument Panel			
FIG.	REF.	QTY	DESCR.	FROM	UPTO
1	18027017	4	Plug Glow		
2	18027001	1	Starter Assy 12 V		
3	18017002	1	Support,relay		
4	52101159	1	Bolt DIN 931 M6-30 8.8		
5	51031006	1	Washer DIN 9021 6		
6	13217007	1	REGULATOR SILENTBlock		
7	13217008	1	SILENTBlock Bush		
8	51030006	1	Washer DIN 125-6		
9	52120006	2	Nut DIN 934 M6 8.8		
10	52202308	1	Bolt DIN 933 M10-1,25-25 8.8		
11	53033008	1	Washer GROWER DIN 127-8		
12	60900070	1	Thermo-Switch 97°C		
13	56000073	1	Copper Washer 16-23-1,5		
14	60900780	1	Temperature SENDER 12 V		
15	60900100	1	Clamp		
16	60900105	1	Clamp		
17	60900201	1	CABLE, tachometer sender		
18	60980200	1	Wire,electrical		
19	58088221	1	Pastic Cable Zip Tie [NP]		
20	58088271	2	Pastic Cable Zip Tie [NP]		
21	58088272	1	Pastic Cable Zip Tie [NP]		
22	55107104	1	Bolt DIN 86 M5-10		
23	53033005	1	Washer GROWER DIN 127-5		
24	52120005	1	Nut DIN 934 M5 8.8		
25	53033008	1	Washer GROWER DIN 127-8		
26	52120008	1	Nut DIN 934 M8 8.8		
27	52202307	1	Bolt DIN 933 M10-1,25-20 8.8		
28	60980210	1	Engine Wiring Ext. 4 M.		
29	60900031	1	Key-Locking Switch		
29-38	60980000	1	Panel SM-75/90		
30	60900045	4	Bulb 12V 3W Connector B		
31	60900050	1	LAMP, oil press.		
32	60900051	1	LAMP, charge		
33	60900052	1	LAMP, water temp.		
34	60900053	1	LAMP, control		



[NP] Not provided
 [NS] Not shown





D_SM75_5_4		Deluxe Instrument Panel			
FIG.	REF.	QTY	DESCR.	FROM	UPTO
35	60900060	1	Alarm, SWITCH		
36	60900815	1	Water Gauge 12 V		
37	60980001	1	Panel		
38	60980710	1	TACHOMETER SM-75 and 90		
NS	60934117	1	Fuse 60A. [NS]		
NS	60900035	1	Cover,key [NS]		
NS	60900111	1	DIODE 6 A. [NS]		
NS	60900110	2	DIODE 3 A. [NS]		

