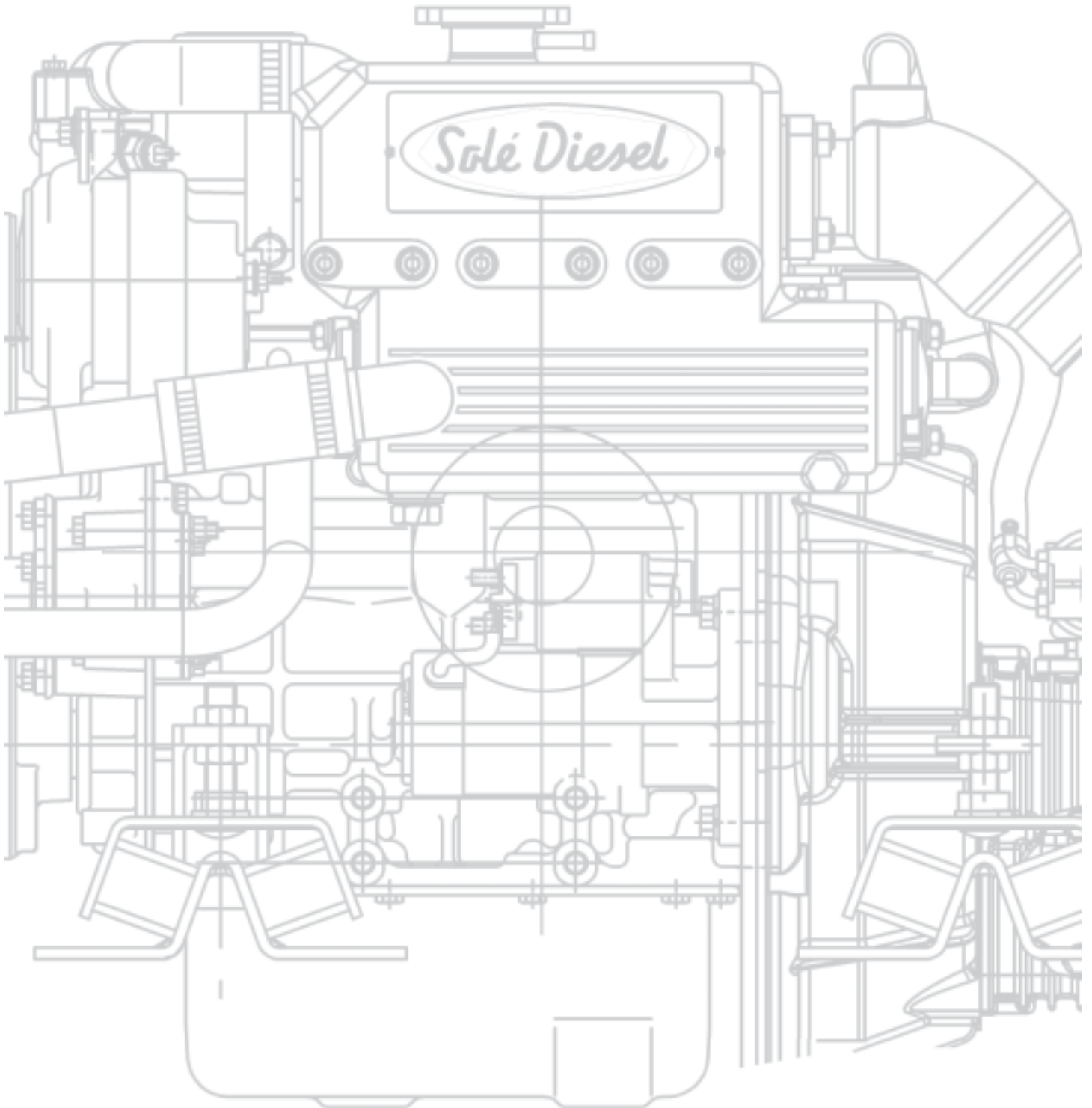




**MOTORES DIESEL MARINOS  
MARINE DIESEL ENGINES  
MOTEURS MARINS DIESEL**



**DESPIECE  
PARTS LIST  
LISTE DE PIÈCES**

**MINI 33  
MINI 44**

## CATALOGO DE RECAMBIOS

### NORMAS PARA EL PEDIDO:

Para obtener un servicio rápido y eficaz, los pedidos han de llegar preferiblemente por fax o e-mail con las indicaciones siguientes:

- 1- Tipo de motor: INDICADO EN LA PLACA
- 2- Número de serie del motor: INDICADO EN LA PLACA Y TROQUELADO EN EL BLOQUE.
- 3- Descripción + referencia + cantidad de piezas a pedir.

## PARTS LIST CATALOGUE

### NORMS TO PLACE AN ORDER:

For fast and more efficient service, please specify the following information on spare parts orders that must be preferably done by FAX or e-mail as specified below:

- 1- Engine model: As shown in identification plate
- 2- Engine serial number: As shown in identification plate and stamped on crankcase.
- 3- Item description + part number + quantity required.

## CATALOGUE DE PIÈCES DE RECHANGE

### NORMES A RESPECTER POUR LES COMMANDES:

Les commandes doivent, si possible, nous être expédiées par FAX ou e-mail et inclure les informations suivantes.

- 1- modèle du moteur: Indiqué sur la plaque signalétique.
- 2- Le numéro du moteur: Indiqué sur la plaque signalétique et gravé sur le bloc.
- 3- Designation de la pièce de rechange + référence + nombre de pièces commandées.

Las solicitudes de repuestos deben dirigirse a:

Spare parts requests must be adressed to:

Les commandes de pièces de rechange doivent être adressées:

**SOLÉ S.A.**

Carretera de Martorell a Gelida Km 2  
P.O. BOX 15 08760 Martorell (Barcelona) Spain

tel +34 93 775 14 00

fax +34 93 775 30 13

sole@solediesel.com

tel recambios (spare parts ) +34 93 775 44 05

fax recambios (spare parts) +34 93 776 53 79

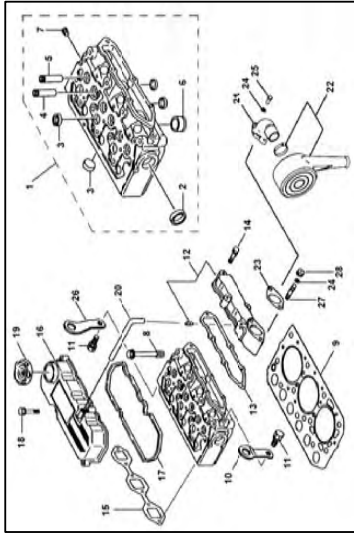
recambios@solediesel.com

DISTRIBUIDOR AUTORIZADO / SERVICE CENTER / DISTRIBUTEUR AUTORISÉ

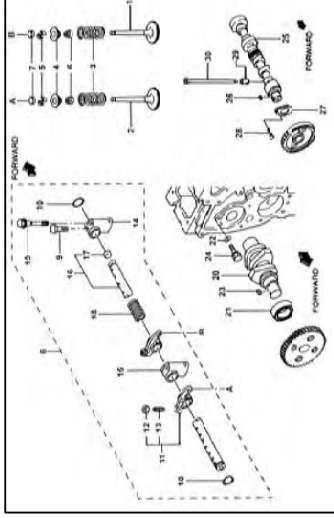


**www.solediesel.com**

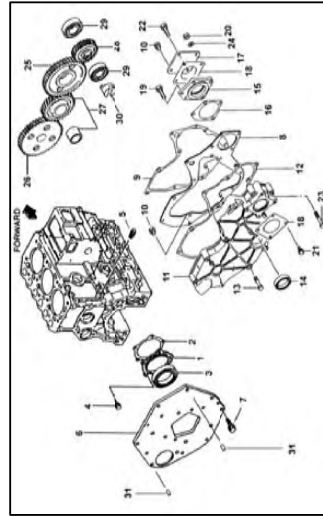
INDICE - INDEX - SOMMAIRE



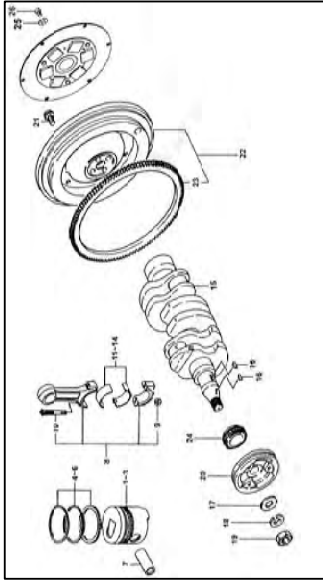
PAG 01



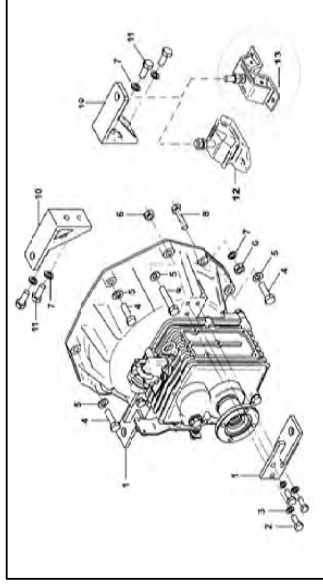
PAG 02



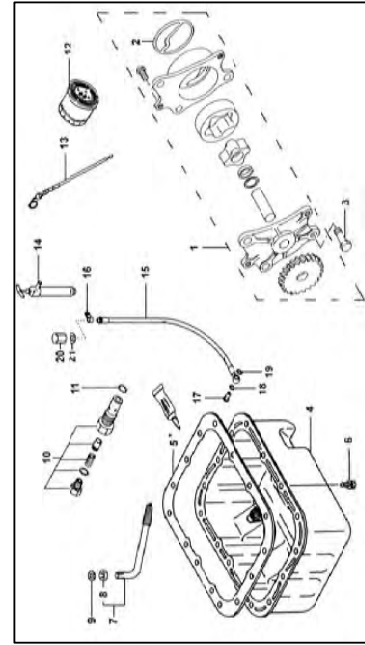
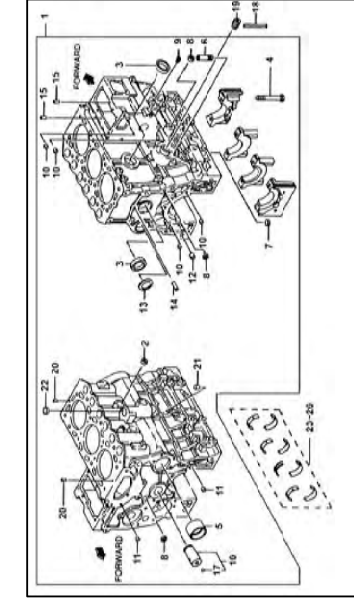
PAG 04



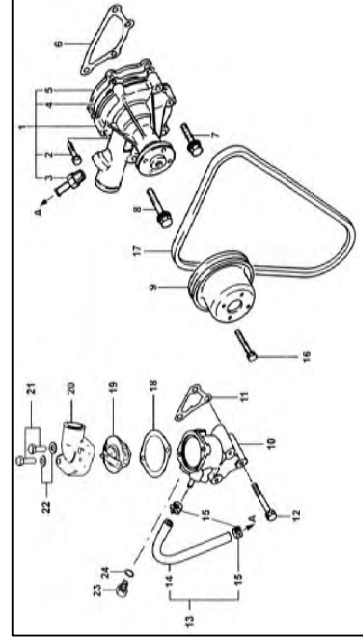
PAG 05



PAG 03

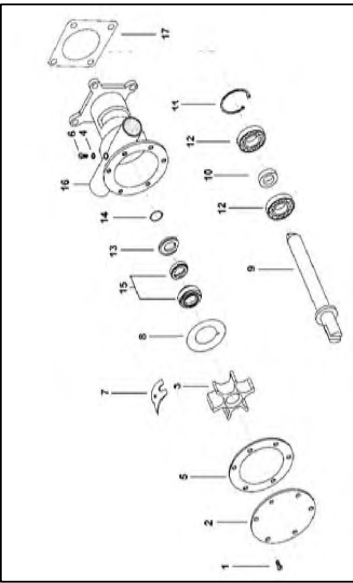


PAG 07

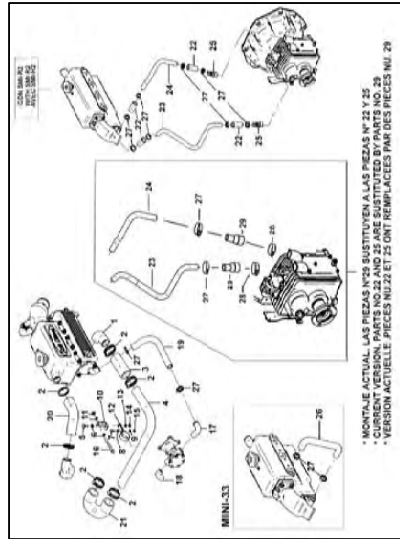


PAG 06

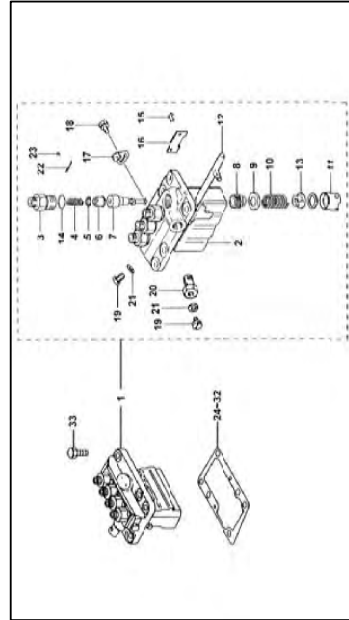
PAG 08



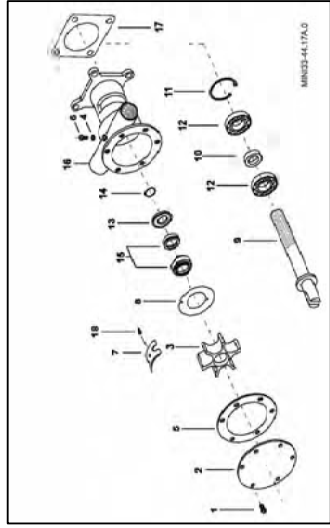
PAG 09



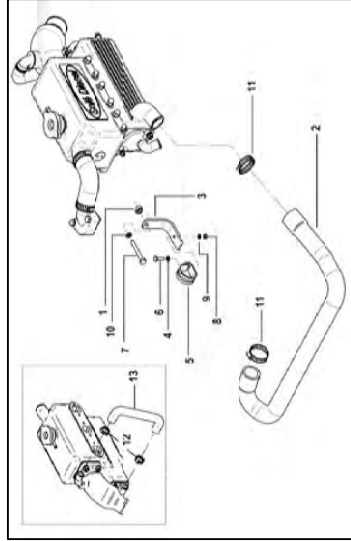
PAG 12



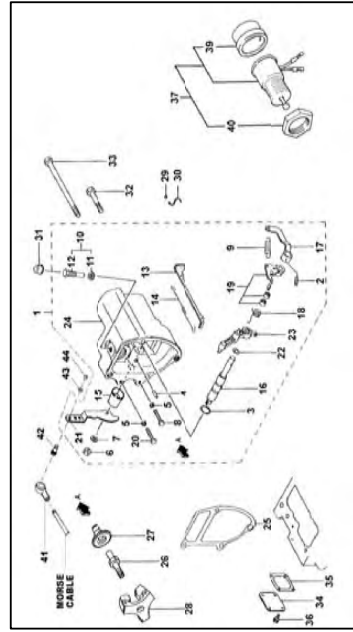
PAG 15



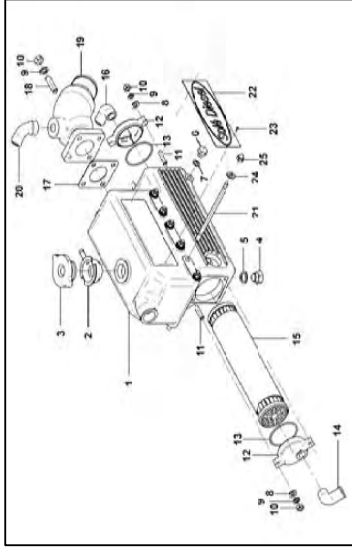
PAG 10



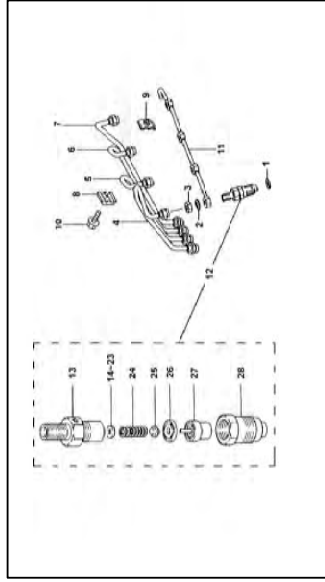
PAG 13



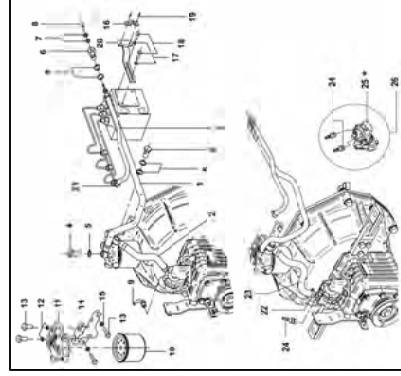
PAG 16



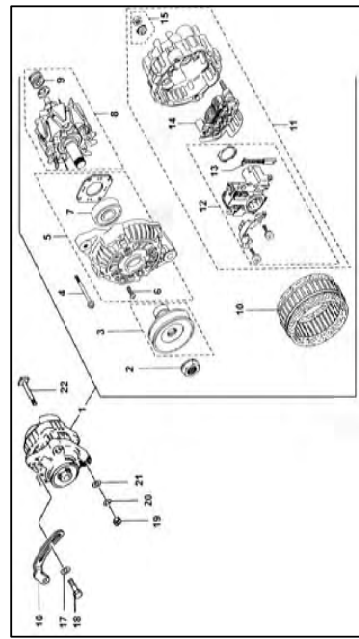
PAG 11



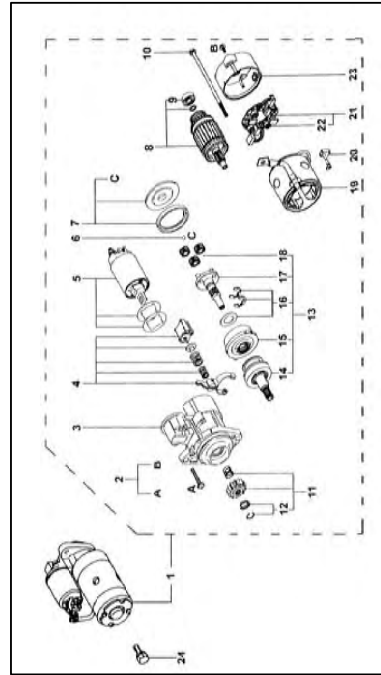
PAG 14



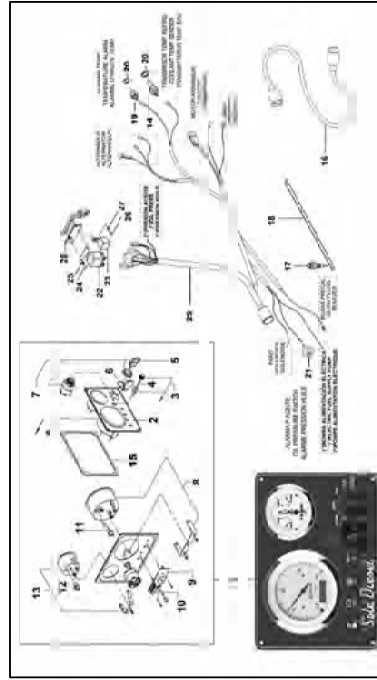
PAG 17



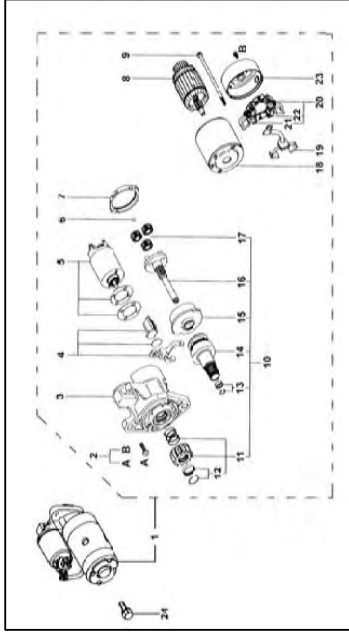
PAG 18



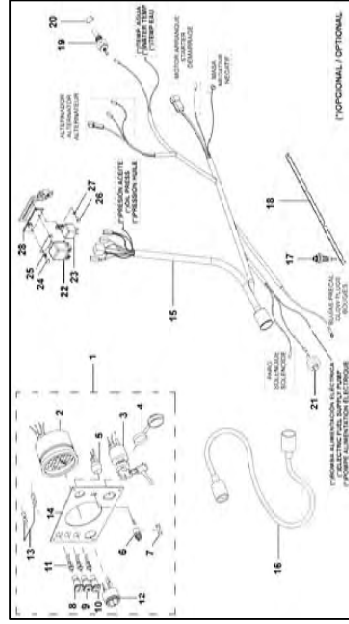
PAG 20



PAG 22

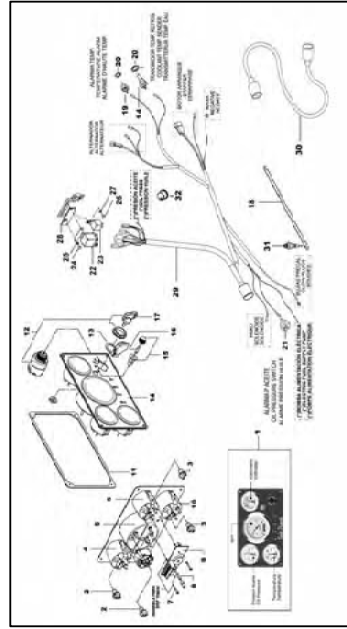


PAG. 19



PAG. 21

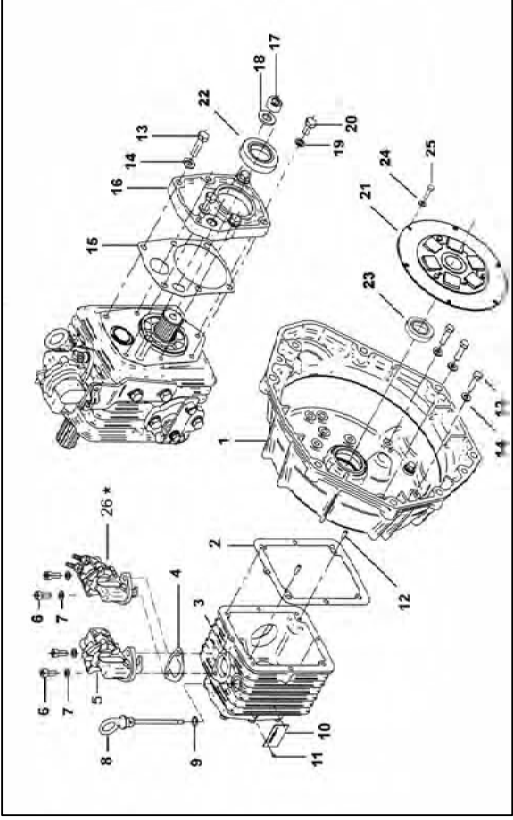
ANTIGUA - OLD INSTALLATION - INSTALLATION ANCIENNE



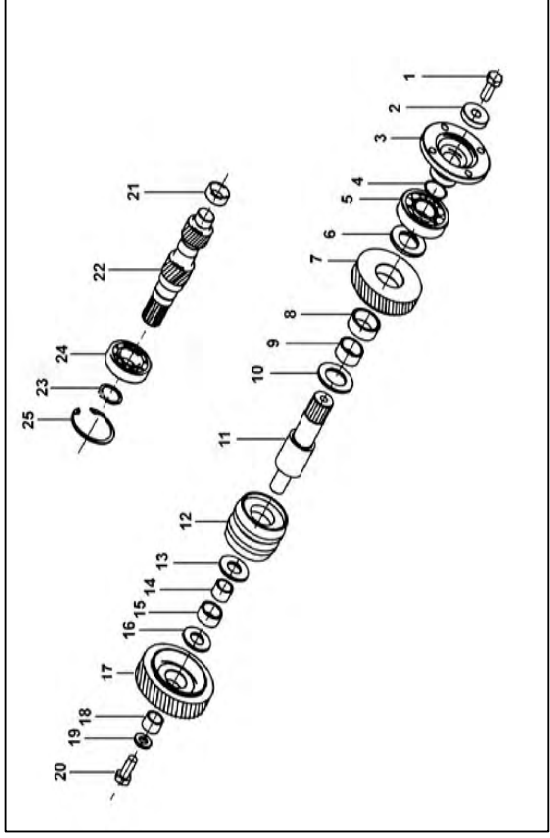
PAG. 23

DELUXE

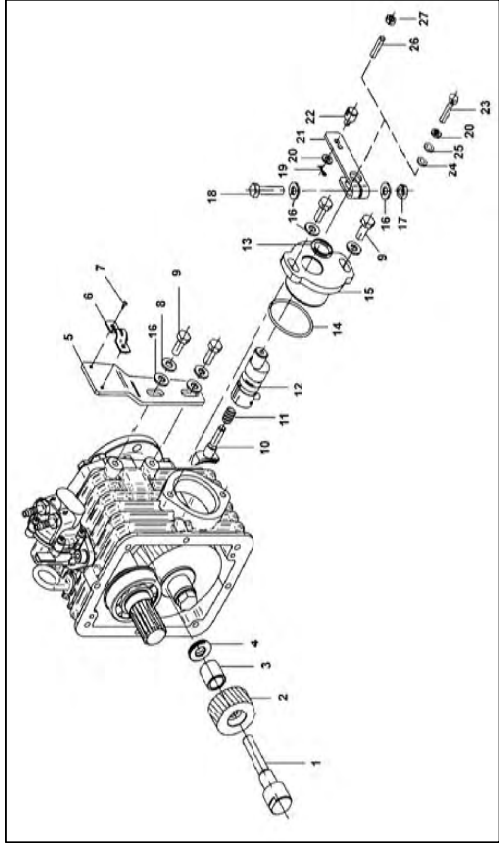
# RONIM-V



PAG 24

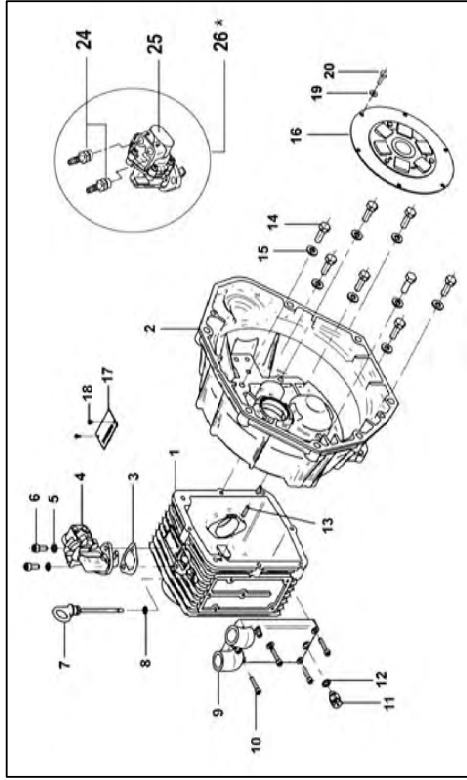


PAG 26

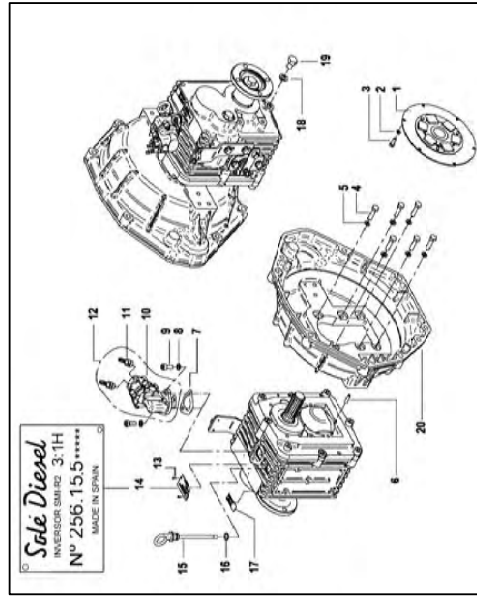


PAG 25

# SMI-R2



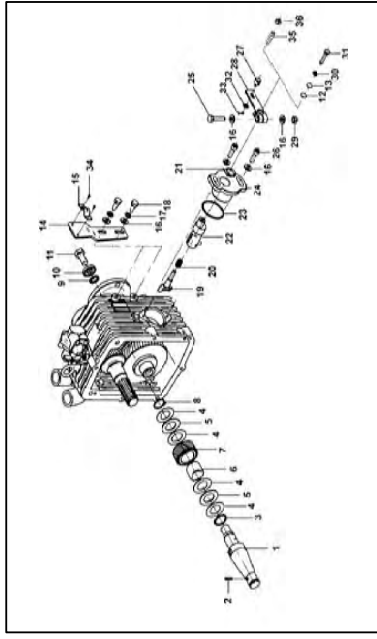
PAG 27



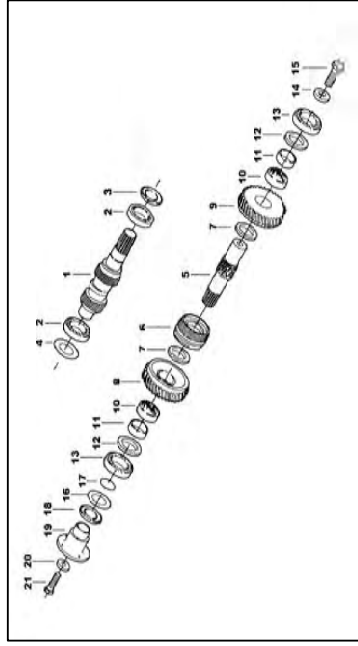
PAG 30

\_\_\_\_\_ NUEVO - NEW - NEUF \_\_\_\_\_

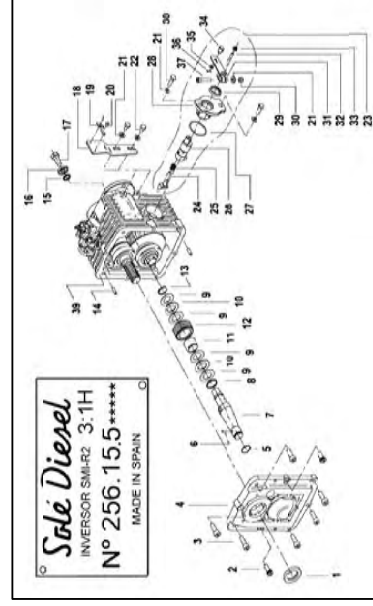
REDUCCION 3:1  
RATIO 3:1  
RAPPORT 3:1



PAG 28

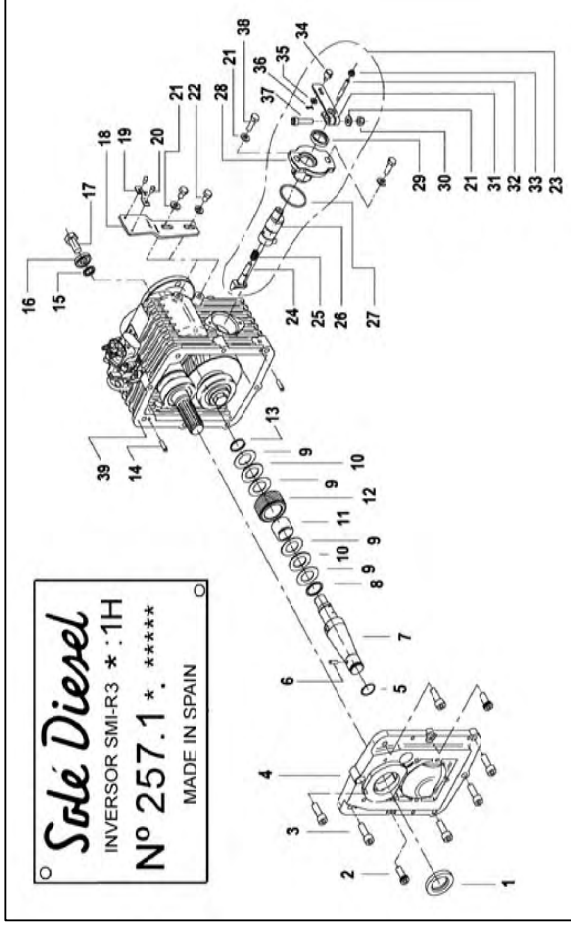


PAG 29

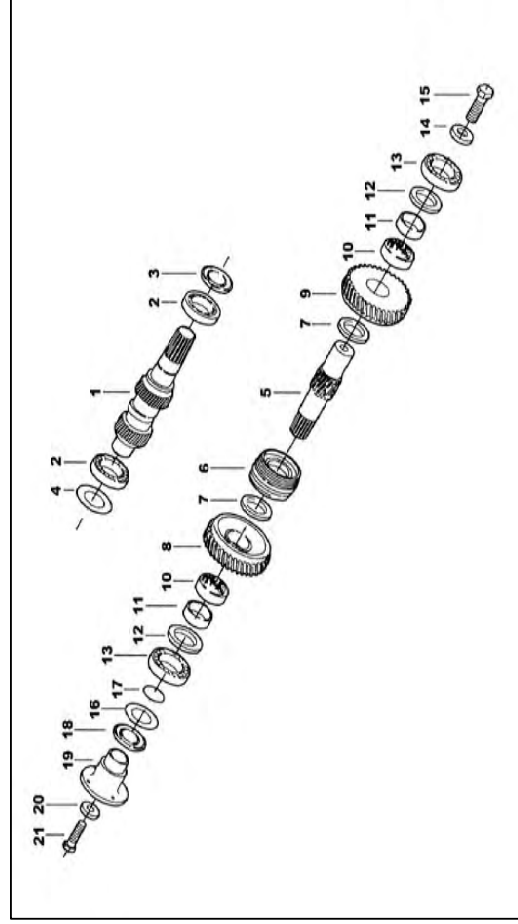


PAG 31

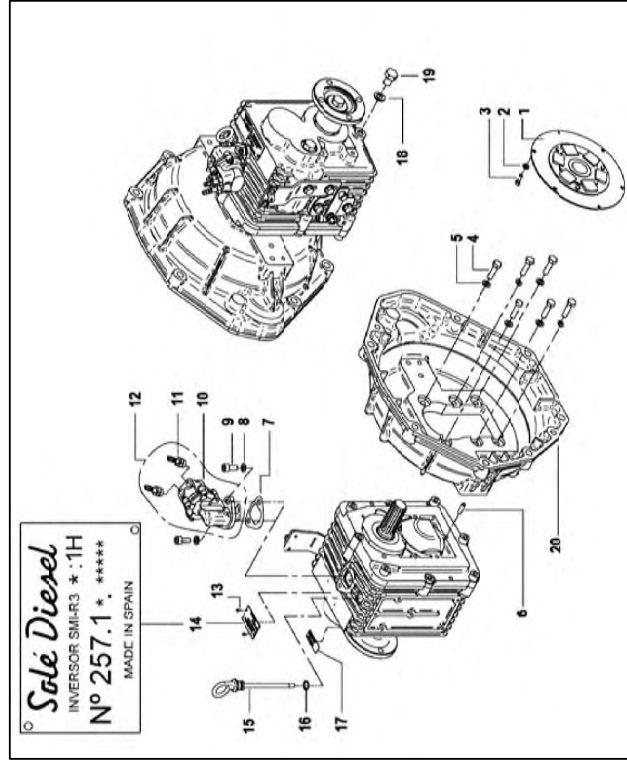
# SMI-R3



PAG 33



PAG 34

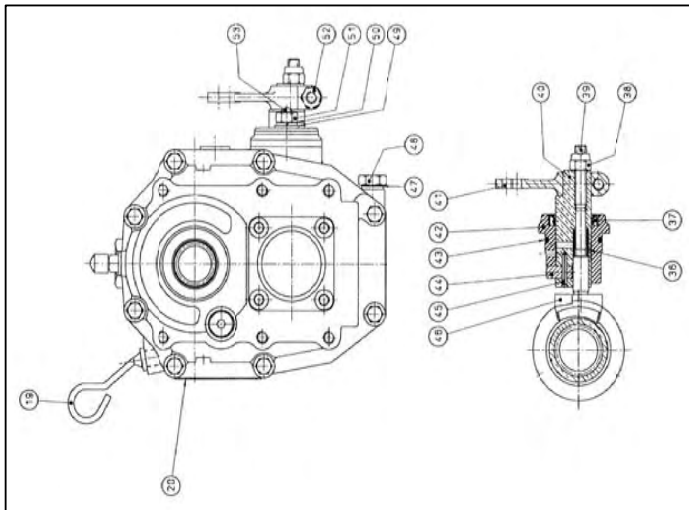


PAG 32

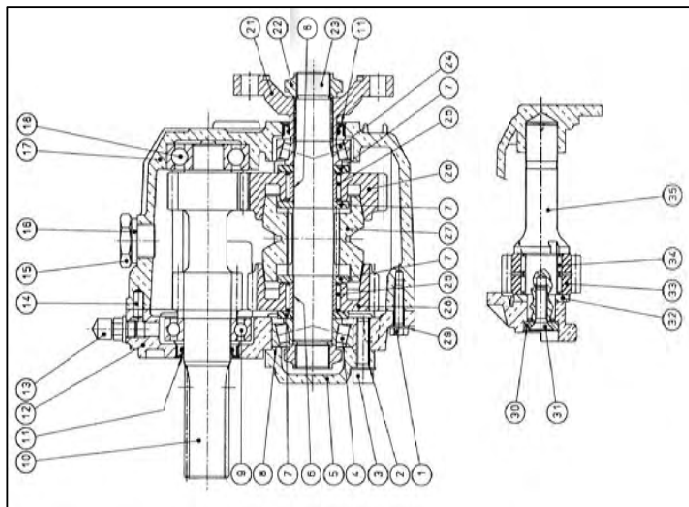


# TWIN DISC - TECHNO DRIVE

## TMC-40M

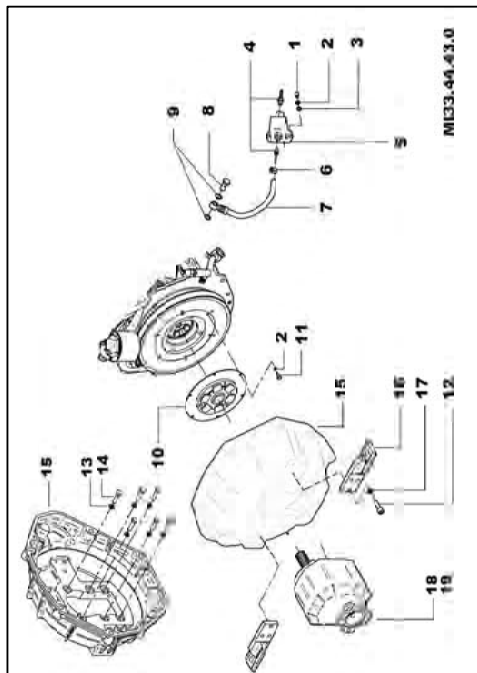


PAG 36

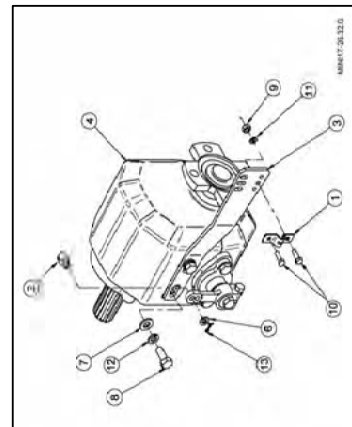


PAG 37

### KIT TMC-40 KANZAKI

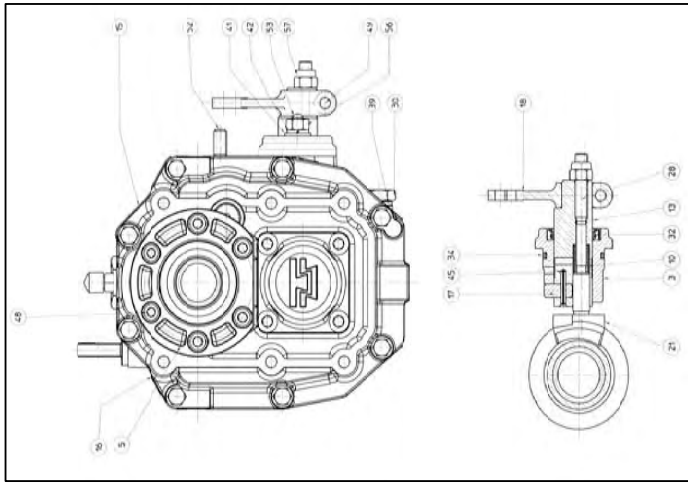


PAG 35



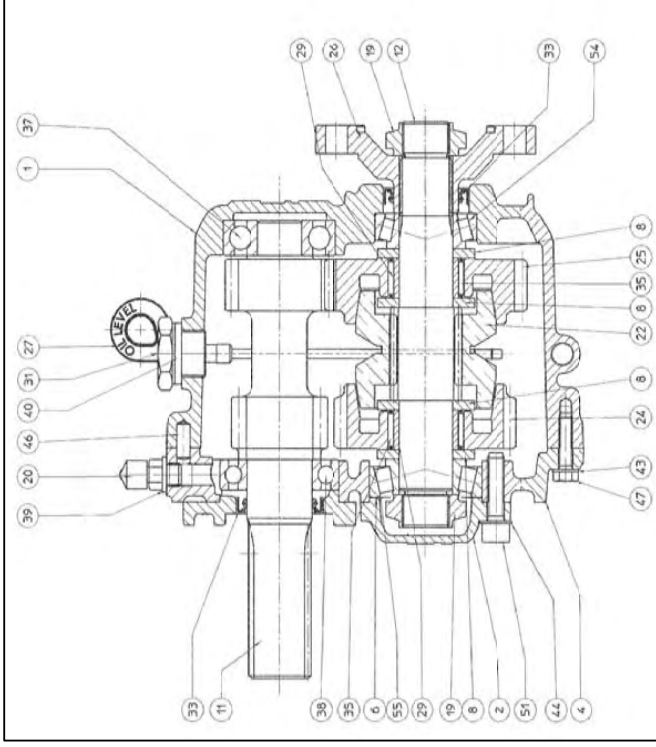
PAG 38

**TMC-40P**

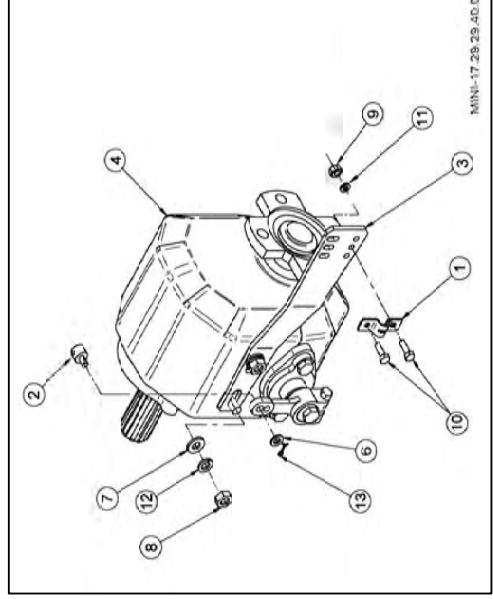


**PAG 39**

**PAG 40**

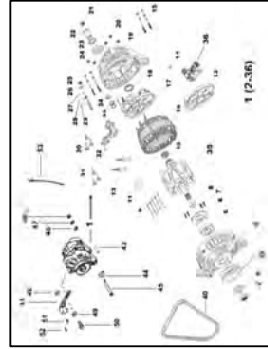


**PAG 41**



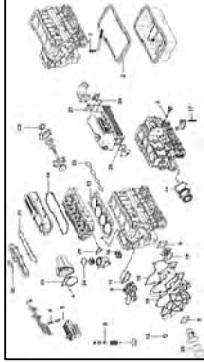
COMPONENTES PARA GRUPO ELECTROGENO - PARTS FOR GENERATOR SET ENGINE  
PIÈCES POUR LE MOTEUR DE GROUPE ÉLECTROGÈNE

PAG 42 - 45



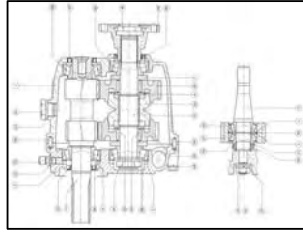
ALTERNADOR 110A/14V - 110A/14V ALTERNATOR - ALTERNATEUR 110A/14V

PAG. 46-47



JUEGO DE JUNTAS - GASKET SET - JEU DE JOINTES

PAG. 48



INVERSOR TMC60 - TMC60 GEARBOX - INVERSEUR TMC60

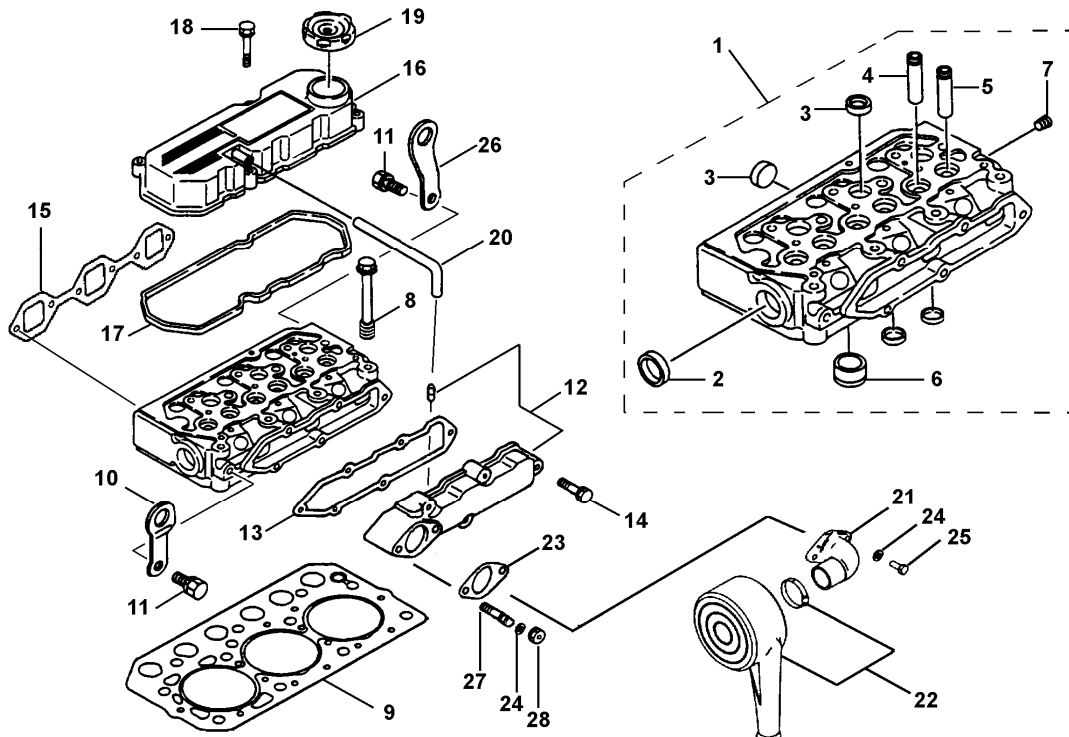
PAG. 49-51

CULATA, COLECTOR ADMISIÓN Y TAPA DE BALANCINES  
 CYLINDER HEAD, INLET MANIFOLD AND ROCKER COVER  
 CULASSE, COLLECTEUR ADMISIION ET COUVERCLE CULBUTEURS

MI33-44.09.1

| FIG. | REF.     |     |          |     | DESCRIPCIÓN                  | DESCRIPTION              | DÉSIGNATION                     |
|------|----------|-----|----------|-----|------------------------------|--------------------------|---------------------------------|
|      | MINI-33  | QTY | MINI-44  | QTY |                              |                          |                                 |
| 1    | 17221001 | 1   | 17321001 | 1   | CULATA                       | HEAD ASSY, CYLINDER      | CULASSE COMPLET                 |
| 2    | 17020012 | 1   | 17020012 | 1   | TAPON                        | CAP                      | BOUCHON                         |
| 3    | 13121003 | 5   | 13121003 | 7   | TAPON                        | CAP SEALING              | BOUCHON                         |
| 4    | 17221002 | 3   | 17221002 | 4   | GUIA VALVULA                 | GUIDE, VALVE, EXHAUST    | GUIDE SOUPAPE                   |
| 5    | 17221003 | 3   | 17221003 | 4   | GUIA VALVULA                 | GUIDE, VALVE, INLET      | GUIDE SOUPAPE                   |
| 6    | 17221015 | 3   | 17221015 | 4   | TAPON COMBUSTION             | JET, COMBUSTION          | BOUCHON COMBUSTION              |
| 7    | 13120011 | 1   | 13120011 | 1   | TAPON CONICO 1/8             | PLUG                     | BOUCHON CONIQUE 1/8             |
| 8    | 17221005 | 11  | 17221005 | 14  | TORNILLOS CULATA             | BOLT, CYLINDER HEAD      | VISSER CULASSE                  |
| 9    | 17221004 | 1   | 17321004 | 1   | JUNTA CULATA                 | GASKET, CYLINDER HEAD    | JOINT CULASSE                   |
| 10   | 13221011 | 1   | 13221011 | 1   | COLGADOR MOTOR               | HANGER ENGINE            | ÉTENDOIR MOTEUR                 |
| 11   | 13322079 | 2   | 13322079 | 2   | TORNILLO                     | BOLT                     | VIS                             |
| 12   | 17221030 | 1   | 17321030 | 1   | CONJ. COLECTOR DE ADMISION   | COVER ASSY, INLET        | ENSEMBLE COLLECTEUR D'ADMISSION |
| 13   | 17221032 | 1   | 17321032 | 1   | JUNTA COLECTOR ADMISION      | GASKET, INLET COVER      | JOINT COLLECTEUR ADMISSION      |
| 14   | 52101260 | 5   | 52101260 | 8   | TORNILLO DIN 931 M8-35 8.8   | BOLT DIN 931 M8-35 8.8   | VIS DIN 931 M8-35 8.8           |
| 15   | 17221035 | 1   | 17321035 | 1   | JUNTA COLECTOR ESCAPE        | GASKET, EXHAUST MANIFOLD | JOINT COLLECTEUR ECHAPPEMENT    |
| 16   | 17221009 | 1   | 17321009 | 1   | TAPA BALANCINES              | COVER ASSY, ROCKER       | COUVERCLE CULBUTEURS            |
| 17   | 17221010 | 1   | 17321010 | 1   | JUNTA TAPA BALANCINES        | GASKET, ROCKER COVER     | JOINT COUVERCLE CULBUTEURS      |
| 18   | 17121014 | 4   | 17121014 | 5   | TORNILLO                     | BOLT, w/washer           | VIS                             |
| 19   | 13221003 | 1   | 13221003 | 1   | TAPON LLENADO ACEITE         | CAP OIL FILLER           | BOUCHON REMPLAGE HUILE          |
| 20   | 17221006 | 1   | 17221006 | 1   | TUBO RESPIRADERO             | BREATHER, PIPE           | TUYAU DE RENIFLARD              |
| 21   | 17210020 | 1   | 17210020 | 1   | CODO FILTRO AIRE             | BEND                     | COUDE FILTRE AIR                |
| 22   | 17010030 | 1   | 17010030 | 1   | FILTRO DE AIRE COMPLETO      | AIR FILTER ASSY          | FILTRE D'AIR                    |
| 22*  | 17610012 | 1   | 17610012 | 1   | FILTRO DE AIRE COMPLETO      | AIR FILTER ASSY          | FILTRE D'AIR                    |
| 23   | 17221034 | 1   | 17221034 | 1   | JUNTA TUBO DE ENTRADA        | GASKET, INLET PIPE       | JOINT TUYAU ENTREE              |
| 24   | 53038008 | 2   | 53038008 | 2   | ARANDELA DIN 6798-A 8        | WASHER DIN 6798-A 8      | RONDELLE                        |
| 25   | 52102257 | 1   | 52102257 | 2   | TORNILLO DIN 933 M8-20 8.8   | BOLT DIN 933 M8-20 8.8   | VIS DIN 933 M8-20 8.8           |
| 26   | 17210008 | 1   | 17210008 | 1   | SOPORTE TRANSPORTE           | HANGER, ENGINE           | SUPPORT                         |
| 27   | 17210021 | 1   | -        | -   | ESPARRAGO                    | STUD                     | ENTRETOISE                      |
| 28   | 52120008 | 1   | -        | -   | TUERCA DIN 934 M8 8.8 (C.10) | NUT DIN 934 M8 8.8       | ECROU DIN 934 M8 8.8            |

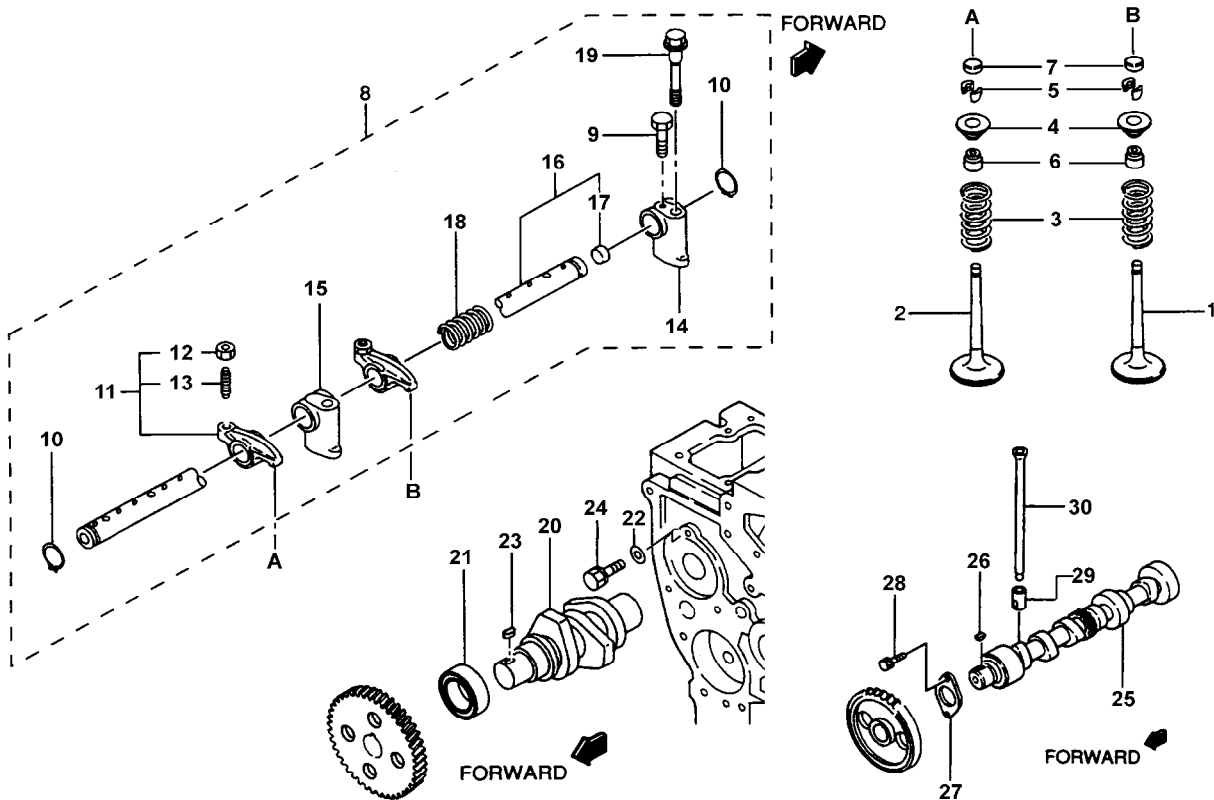
|     |   |
|-----|---|
| 22  | * NUMERO DE SERIE INFERIOR A 135644 (MINI-33) Y 121936 (MINI-44)                    |
|     | * SERIAL NUMBER LESS THAN 135644 FOR (MINI-33) AND 121936 FOR (MINI-44)             |
|     | * NUMERO DE SERIE PLUS INFERIEUR A 135644 (MINI-33) ET 121936 PAR LE (MINI-44)      |
| 22* | * NUMERO DE SERIE MAYOR O IGUAL A 135644 (MINI-33) Y 121936 (MINI-44)               |
|     | * FROM OR EQUAL TO SERIAL NUMBER 135644 FOR (MINI-33) , 121936 FOR (MINI-44)        |
|     | * NUMERO DE SERIE PLUS GRANDE OR EGAL A 135644 PAR (MINI-33) Y 121936 PAR (MINI-44) |



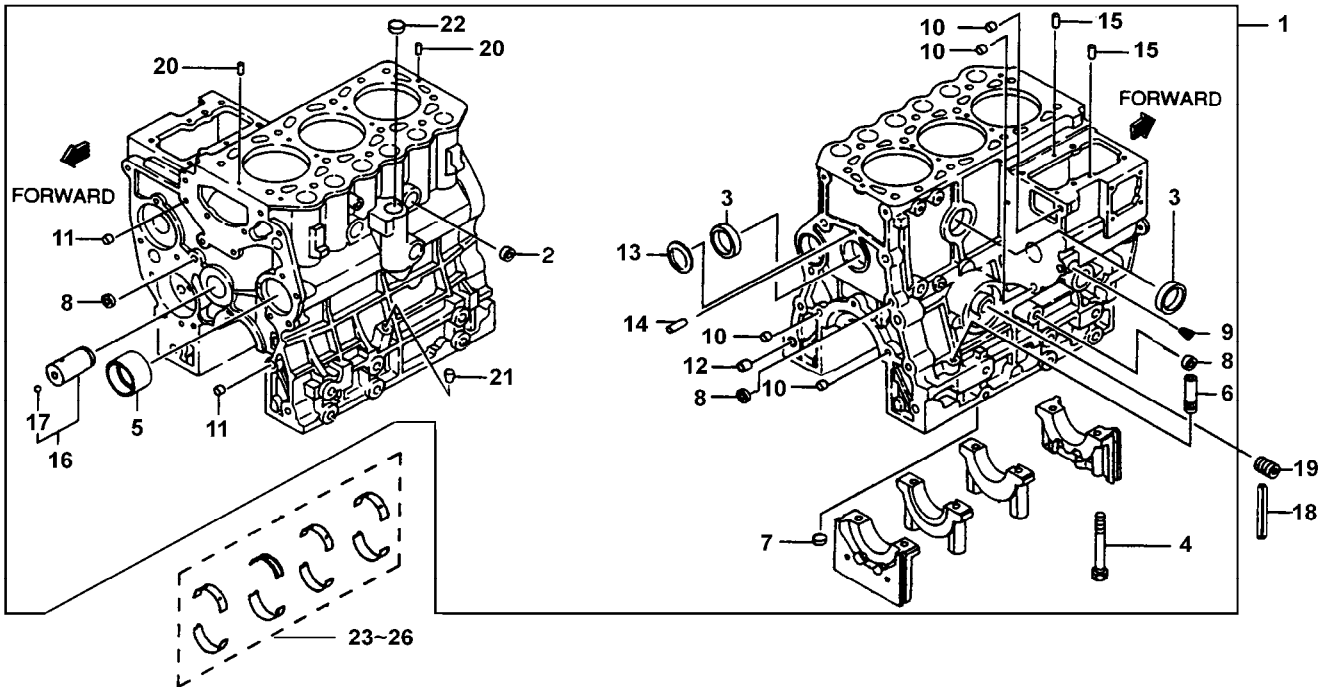
MECANISMO VÁLVULAS Y ÁRBOL DE LEVAS  
VALVE MECHANISM AND CAMSHAFT  
MÉCANISME SOUPAPES ET ARBRE À CAMES

MI33-44.10.0

| FIG. | REF.     |     |          |     | DESCRIPCIÓN                  | DESCRIPTION            | DÉSIGNATION                      |
|------|----------|-----|----------|-----|------------------------------|------------------------|----------------------------------|
|      | MINI-33  | QTY | MINI-44  | QTY |                              |                        |                                  |
| 1    | 17222055 | 3   | 17222055 | 4   | VALVULA ADMISION             | VALVE, INLET           | SOUPAPE ADMISSION                |
| 2    | 17222056 | 3   | 17222056 | 4   | VALVULA ESCAPE               | VALVE, EXHAUST         | SOUPAPE ÉCHAPPEMENT              |
| 3    | 17222057 | 6   | 17222057 | 8   | MUELLE INTERIOR VALVULA      | SPRING, VALVE, INNER   | RESSORT INTERIEUR                |
| 4    | 13822058 | 6   | 13822058 | 8   | RETENEDOR MUELLE VALVULA     | RETAINER VALVE SP      | JOINT RESSORT                    |
| 5    | 13222059 | 12  | 13222059 | 16  | FIJADOR RETENEDOR            | LOCK VALVE             | FIXATEUR                         |
| 6    | 13222054 | 6   | 13222054 | 8   | CAPUCHON VALVULA             | SEAL VALVE STEM        | CAPUCHON SOUPAPE                 |
| 7    | 13822069 | 6   | 13822069 | 8   | TAPON                        | CAP STEM               | BOUCHON                          |
| 8    | 17222146 | 1   | 17322146 | 1   | CONJUNTO EJE BALANCINES      | ROCKER & SHAFT ASSY    | ENSEMBLE ESSIEU CULBUTEURS       |
| 9    | 17222053 | 1   | 17222053 | 1   | TORNILLO                     | BOLT                   | VIS                              |
| 10   | 17222050 | 2   | 17222050 | 2   | ANILLO ELASTICO              | RING, SNAP             | ANNEAU ELASTIQUE                 |
| 11   | 17222142 | 6   | 17222142 | 8   | CONJUNTO BALANCIN            | ROCKER ASSY            | ENSEMBLE CULBUTEUR               |
| 12   | 17122060 | 6   | 17122060 | 8   | TUERCA                       | NUT                    | ECROU                            |
| 13   | 17122044 | 6   | 17122044 | 8   | TORNILLO DE AJUSTE           | SCREW                  | VIS DE RÉGLAGE                   |
| 14   | 17222048 | 1   | 17222048 | 1   | SOPORTE EJE BALANCINES       | BRACKET, ROCKER SHAFT  | SUPPORT ESSIEU CULBUTEURS        |
| 15   | 17222049 | 2   | 17222049 | 3   | SOPORTE EJE BALANCINES       | BRACKET, ROCKER SHAFT  | SUPPORT ESSIEU CULBUTEURS        |
| 16   | 17222046 | 1   | 17322046 | 1   | EJE BALANCINES               | SHAFT ASSY, ROCKER     | ARBRE CULBUTEURS                 |
| 17   | 17222025 | 2   | 17222025 | 2   | TAPON DESARENAR              | CAP, SEALING           | BOUCHON DE DESABLER              |
| 18   | 17122047 | 2   | 17122047 | 3   | MUELLE DE BALANCINES         | SPRING                 | RESSORT DE CULBUTEURS            |
| 19   | 17122053 | 3   | 17122053 | 4   | TORNILLO                     | BOLT                   | VIS                              |
| 20   | 17222040 | 1   | 17322040 | 1   | EJE DE LEVAS BOMBA INYECTORA | SHAFT, FUEL INJ. PUMP  | ESSIEU A CAMES POMPE A INJECTION |
| 21   | 13222062 | 1   | 13222062 | 1   | RODAMIENTO                   | BEARING BALL           | ROULEMENT                        |
| 22   | 17222065 | 1   | 17222065 | 1   | ARANDELA                     | WASHER                 | RONDELLE                         |
| 23   | 13222060 | 1   | 13222060 | 1   | CHAVETA                      | KEY                    | CLAVETTE                         |
| 24   | 52102256 | 1   | 52102256 | 1   | TORNILLO DIN 933 M8-15 8.8   | BOLT DIN 933 M8-15 8.8 | VIS DIN 933 M8-15 8.8            |
| 25   | 17222035 | 1   | 17322035 | 1   | ARBOL DE LEVAS               | CAMSHAFT               | ARBRE DE LEVIER                  |
| 26   | 13222020 | 1   | 13222020 | 1   | CHAVETA                      | KEY                    | CLAVETTE                         |
| 27   | 17122036 | 1   | 17122036 | 1   | PLACA                        | PLATE, thrust          | PLAQUE                           |
| 28   | 52102256 | 2   | 52102256 | 2   | TORNILLO DIN 933 M8-15 8.8   | BOLT DIN 933 M8-15 8.8 | VIS DIN 933 M8-15 8.8            |
| 29   | 13222061 | 6   | 13222061 | 8   | IMPULSOR                     | TAPPET                 | IMPULSEUR                        |
| 30   | 17222041 | 6   | 17222041 | 8   | VARILLA VALVULAS             | ROD, PUSH              | JAUGE DE SOUPAPES                |



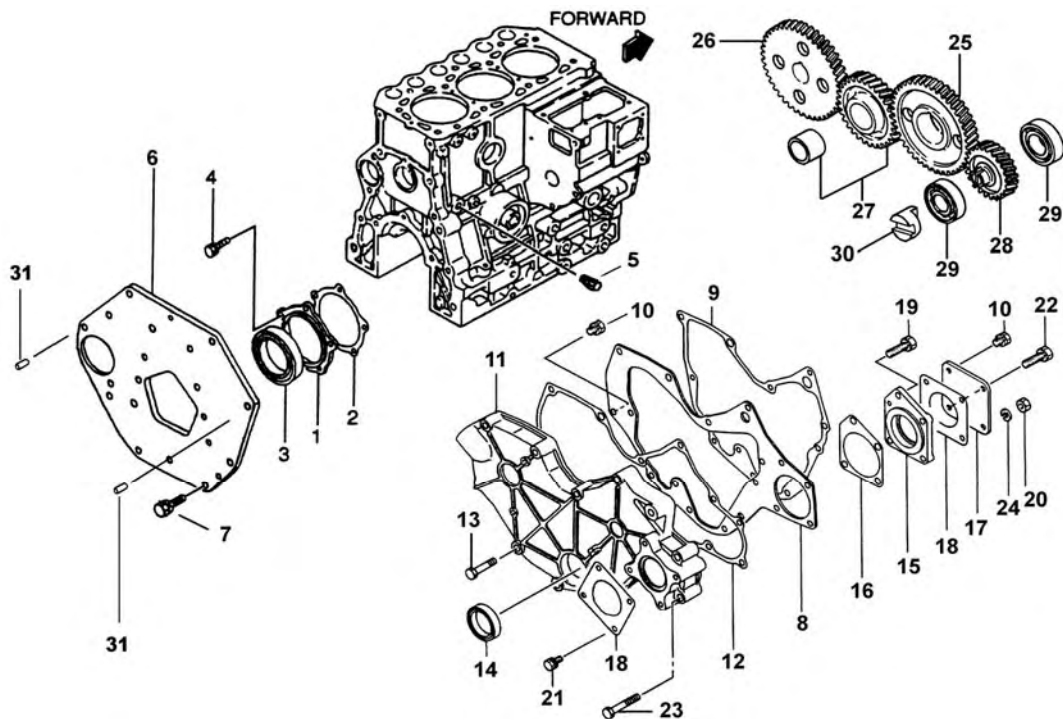
| CONJUNTO BANCADA<br>CRANKCASE ASSY<br>ENSEMBLE BLOC DE CYLINDRES |          |     |          |     | MI33-44.11.0                  |                      |                         |
|--|----------|-----|----------|-----|-------------------------------|----------------------|-------------------------|
| FIG.   | REF.     |     |          |     | DESCRIPCIÓN                   | DESCRIPTION          | DÉSIGNATION             |
|  | MINI-33  | QTY | MINI-44  | QTY |                               |                      |                         |
| 1  | 17220001 | 1   | 17320001 | 1   | CONJUNTO BLOQUE               | BLOCK ASSY, CYLINDER | ENSEMBLE BANC           |
| 2  | 17220006 | 2   | 17220006 | 3   | TAPON DESARENAR               | CAP, SEALING         | BOUCHON DE DESABLER     |
| 3  | 13320006 | 2   | 13320006 | 3   | TAPON DE DESARENAR            | CAP, SEALING         | BOUCHON DE DESABLER     |
| 4  | 17220009 | 8   | 17220009 | 10  | TORNILLO SOPORTE COJINETE     | BOLT, METAL CAP      | VIS SUPPORT COUSSINET   |
| 5  | 17220011 | 1   | 17220011 | 1   | COJINETE EJE LEVAS            | BUSHING, CAMSHAFT    | COUSSINET ARBRE A CAMES |
| 6  | 13220007 | 1   | 13220007 | 1   | GUIA AFORADOR ACEITE          | GUIDE                | GUIDE NIVEAU HUILE      |
| 7  | 17220012 | 1   | 17220012 | 1   | TAPON DESARENAR               | CAP, SEALING         | BOUCHON DE DESABLER     |
| 8  | 17220013 | 3   | 17220013 | 3   | TAPON DESARENAR               | CAP, SEALING         | BOUCHON DE DESABLER     |
| 9  | 13120011 | 1   | 13120011 | 1   | TAPON CONICO 1/8              | PLUG                 | BOUCHON CONIQUE 1/8     |
| 10   | 13120009 | 4   | 13120009 | 4   | CASQUILLO DE GOLPE            | BUSHING              | DOUILLE DE COUP         |
| 11   | 13220021 | 2   | 13220021 | 2   | CASQUILLO DE GOLPE            | BUSHING KNOCK        | DOUILLE DE COUP         |
| 12   | 13220022 | 1   | 13220022 | 1   | CASQUILLO DE GOLPE            | KNOCK                | DOUILLE DE COUP         |
| 13   | 17220019 | 1   | 17220019 | 1   | TAPON                         | PLUG, EXPANSION      | BOUCHON                 |
| 14   | 13220020 | 1   | 13220020 | 1   | PASADOR                       | PIN                  | GOUJON                  |
| 15   | 13120036 | 2   | 13120036 | 2   | PASADOR                       | PIN DOWEL            | GOUJON                  |
| 16   | 17220014 | 1   | 17220014 | 1   | EJE LOCO                      | SHAFT ASSY, IDLER    | ESSIEU FOU              |
| 17   | 17220028 | 1   | 17220028 | 1   | BOLA                          | BALL                 | BOULE                   |
| 18   | 17220002 | 4   | 17220002 | 4   | JUNTA LATERAL                 | SEAL, SIDE           | JOINT LATERAL           |
| 19   | 17124047 | 1   | 17124047 | 1   | EJE DEL FILTRO ACEITE         | SHAFT, oil filter    | ESSIEU FILTRE HUILE     |
| 20   | 17120019 | 2   | 17120019 | 2   | PASADOR                       | PIN, dowel           | GOUJON                  |
| 21   | 17220023 | 1   | 17220023 | 1   | TAPON                         | PLUG, TAPER          | BOUCHON                 |
| 22   | 17020014 | 1   | 17020014 | 1   | TAPON                         | CAP                  | BOUCHON                 |
| 23   | 13620003 | 1   | 13220003 | 1   | JUEGO COJINETE CIGUEÑAL STD.  | METAL SET STD.       | JEU COULLINET STD.      |
| 24   | 13620004 | 1   | 13220004 | 1   | JUEGO COJINETE CIGUEÑAL +0,25 | METAL SET 0.25       | JEU COULLINET +0,25     |
| 25   | 13620005 | 1   | 13220005 | 1   | JUEGO COJINETE CIGUEÑAL +0,50 | METAL SET 0.50       | JEU COULLINET +0,50     |
| 26   | 13620006 | 1   | 13220006 | 1   | JUEGO COJINETE CIGUEÑAL +0,75 | METAL SET 0.75       | JEU COULLINET +0,75     |



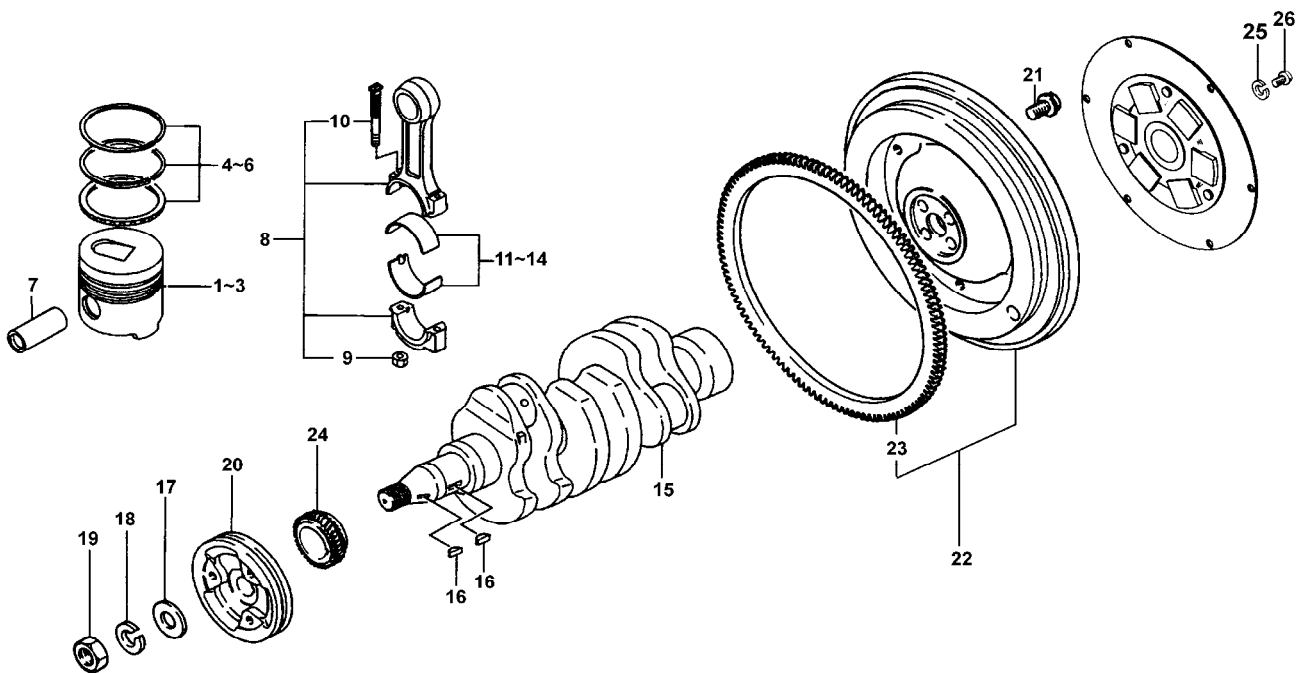
CARCASA TRASERA Y DISTRIBUCIÓN  
 REAR PLATE AND TIMING GEAR CASE  
 PLAQUE ARRIÈRE ET DISTRIBUTION

MI33-44.12.1

| FIG. | REF.     |     |          |     | DESCRIPCIÓN                  | DESCRIPTION                  | DÉSIGNATION                        |
|------|----------|-----|----------|-----|------------------------------|------------------------------|------------------------------------|
|      | MINI-33  | QTY | MINI-44  | QTY |                              |                              |                                    |
| 1    | 17220015 | 1   | 17220015 | 1   | TAPON PORTA RETEN            | CASE, OIL SEAL               | COUVERCLE PORTE JOINT              |
| 2    | 17220016 | 1   | 17220016 | 1   | JUNTA TAPA ACEITE            | GASKET, OIL SEAL CASE        | JOINT COUVERCLE D'HUILE            |
| 3    | 17220063 | 1   | 17220063 | 1   | RETEN ACEITE                 | SEAL, OIL                    | JOINT D'ÉTANCHEITE HUILE           |
| 4    | 17220059 | 5   | 17220059 | 5   | TORNILLO                     | BOLT                         | VIS                                |
| 5    | 17120022 | 1   | 17120022 | 1   | TAPON                        | PLUG, tapered                | BOUCHON                            |
| 6    | 17220017 | 1   | 17220017 | 1   | PLACA TRASERA                | PLATE, REAR                  | PLAQUE ARRIÈRE                     |
| 7    | 52202359 | 8   | 52202359 | 8   | TORN.DIN 933 M12-1,25-30 8.8 | BOLT DIN 933 M12-1,25-30 8.8 | VIS DIN 933 M12-1,25-30 8.8        |
| 8    | 17220024 | 1   | 17220024 | 1   | PLACA DELANTERA              | PLATE, FRONT                 | PLAQUE AVANT                       |
| 9    | 17220018 | 1   | 17220018 | 1   | JUNTA PLACA                  | GASKET, FRONT PLATE          | JOINT PLAQUE                       |
| 10   | 52102256 | 6   | 52102256 | 6   | TORNILLO DIN 933 M8-15 8.8   | BOLT DIN 933 M8-15 8.8       | VIS DIN 933 M8-15 8.8              |
| 11   | 17220035 | 1   | 17220035 | 1   | TAPA DE DISTRIBUCION         | CASE, GEAR                   | COUVERCLE DISTRIBUTION             |
| 12   | 17220040 | 1   | 17220040 | 1   | JUNTA TAPA DISTRIBUCION      | GASKET, GEAR CASE            | JOINT COUVERCLE DISTRIBUTION       |
| 13   | 17220034 | 8   | 17220034 | 8   | TORNILLO                     | BOLT                         | VIS                                |
| 14   | 13220039 | 1   | 13220039 | 1   | RETEN                        | SEAL OIL                     | JOINT D'ÉTANCHEITÉ                 |
| 15   | 17220037 | 1   | 17220037 | 1   | SOPORTE ENGRANAJE Y BOMBA    | HOUSING, GEAR PUMP           | SUPPORT ENGRENAGE ET POMPE         |
| 16   | 17220038 | 1   | 17220038 | 1   | JUNTA TAPA                   | GASKET, HOUSING              | JOINT COUVERCLE                    |
| 17   | 13120046 | 1   | 13120046 | 1   | TAPA                         | COVER OIL PUMP SH            | COUV.DU ESSIEU DE POMPE HUILE      |
| 18   | 13120047 | 2   | 13120047 | 2   | JUNTA BOMBA AGUA             | GASKET WATER PUMP            | JOINT POMPE EAU                    |
| 19   | 13322078 | 1   | 13322078 | 1   | TORNILLO                     | BOLT                         | VIS                                |
| 20   | 17120049 | 2   | 17120049 | 2   | TUERCA M8                    | NUT                          | ECROU                              |
| 21   | 52102256 | 4   | 52102256 | 4   | TORNILLO DIN 933 M8-15 8.8   | BOLT DIN 933 M8-15 8.8       | VIS DIN 933 M8-15 8.8              |
| 22   | 52101260 | 1   | 52101260 | 1   | TORNILLO DIN 931 M8-35 8.8   | BOLT DIN 931 M8-35 8.8       | VIS DIN 931 M8-35 8.8              |
| 23   | 17024062 | 2   | 17024062 | 2   | TORNILLO                     | BOLT                         | VIS                                |
| 24   | 53033008 | 2   | 53033008 | 2   | ARANDELA GROWER DIN 127-8    | WASHER GROWER DIN 127-8      | ROND.ÉLAST.GROWER DIN 127-8        |
| 25   | 17222037 | 1   | 17222037 | 1   | ENGRANAJE EJE DE LEVAS       | GEAR, CAMSHAFT               | ENGRENAGE ARBRE DE LEVIER          |
| 26   | 17222043 | 1   | 17222043 | 1   | ENGRANAJE BOMBA INYECTORA    | GEAR, INJECTION PUMP         | ENGRENAGE ESSIEU POMPE A INJECTION |
| 27   | 17222038 | 1   | 17222038 | 1   | PIÑON LOCO                   | GEAR ASSY, IDLER             | PIGNON FOU                         |
| 28   | 17222066 | 1   | 17222066 | 1   | ENGRANAJE BOMBA AGUA         | GEAR, PRESSURE OIL PUMP      | ENGRENAGE POMPE EAU                |
| 29   | 17022067 | 2   | 17022067 | 2   | RODAMIENTO                   | BEARING BALL                 | ROULEMENT                          |
| 30   | 17311026 | 1   | 17311026 | 1   | ACOPLAMIENTO DE ARRASTRE     | COUPLING, WATER PUMP         | ACCOUPLLEMENT ARRACHEMENT          |
| 31   | 13220026 | 2   | 13220026 | 2   | PASADOR                      | PIN KNOCK (10X12)            | GOUJON                             |



| CIGÜEÑAL BIELA Y VOLANTE<br>CRANKSHAFT, CONNECTING ROD AND FLYWHEEL<br>VILEBREQUIN, BIELLE ET VOLANT |          |     |          |     | MI33-44.13.0                |                           |                               |
|--|----------|-----|----------|-----|-----------------------------|---------------------------|-------------------------------|
| FIG.   | REF.     |     |          |     | DESCRIPCIÓN                 | DESCRIPTION               | DÉSIGNATION                   |
|  | MINI-33  | QTY | MINI-44  | QTY |                             |                           |                               |
| 1  | 17222001 | 3   | 17222001 | 4   | PISTON STD.                 | PISTON STD.               | PISTON STD.                   |
| 2  | 17222002 | 3   | 17222002 | 4   | PISTON + 0,25               | PISTON + 0,25             | PISTON + 0,25                 |
| 3  | 17222003 | 3   | 17222003 | 4   | PISTON + 0,50               | PISTON + 0,50             | PISTON + 0,50                 |
| 4  | 17222006 | 3   | 17222006 | 4   | JUEGO DE AROS STD.          | RING SET, PISTON STD      | JEU D'ANNEAUX STD.            |
| 5  | 17222007 | 3   | 17222007 | 4   | JUEGO DE AROS + 0,25        | RING SET, PISTON + 0,25   | JEU D'ANNEAUX + 0,25          |
| 6  | 17222008 | 3   | 17222008 | 4   | JUEGO DE AROS + 0,50        | RING SET, PISTON + 0,50   | JEU D'ANNEAUX + 0,50          |
| 7  | 17222009 | 3   | 17222009 | 4   | BULON                       | PIN, PISTON               | BOULON                        |
| 8  | 17222010 | 3   | 17322010 | 4   | CONJUNTO BIELA              | ROD ASSY, CONNECTING      | ENSEMBLE BIELLE               |
| 9  | 17022011 | 6   | 17022011 | 8   | TUERCA BIELA                | NUT                       | ECROU BIELLE                  |
| 10   | 17222013 | 6   | 17222013 | 8   | TORNILLO BIELA              | BOLT, CONNECTING ROD      | VIS BIELLE                    |
| 11   | 17222014 | 3   | 17222014 | 4   | CONJUNTO COJINETE BIELA STD | METAL SET, CON ROD STD.   | ENSEMBLE PALIER BIELLE STD.   |
| 12   | 17222015 | 3   | 17222015 | 4   | CONJ. COJINETE BIELA - 0,25 | METAL SET, CON ROD - 0,25 | ENSEMBLE PALIER BIELLE - 0,25 |
| 13   | 17222016 | 3   | 17222016 | 4   | CONJ. COJINETE BIELA - 0,50 | METAL SET, CON ROD - 0,50 | ENSEMBLE PALIER BIELLE - 0,50 |
| 14   | 17222017 | 3   | 17222017 | 4   | CONJ. COJINETE BIELA - 0,75 | METAL SET, CON ROD - 0,75 | ENSEMBLE PALIER BIELLE - 0,75 |
| 15   | 17222018 | 1   | 17322018 | 1   | CIGÜEÑAL                    | CRANKSHAFT                | VILEBREQUIN                   |
| 16   | 13222020 | 2   | 13222020 | 2   | CHAVETA                     | KEY                       | CLAVETTE                      |
| 17   | 17222051 | 1   | 17222051 | 1   | ARANDELA PLANA              | WASHER, PLAIN             | RONDELLE PLATE                |
| 18   | 53033018 | 1   | 53033018 | 1   | ARANDELA GROWER DIN 127-18  | WASHER GROWER DIN 127-18  | RONDELLE                      |
| 19   | 13222026 | 1   | 13222026 | 1   | TUERCA                      | NUT                       | ECROU                         |
| 20   | 17222024 | 1   | 17322024 | 1   | POLEA CIGÜEÑAL              | PULLEY, CRANKSHAFT        | POLIE VILEBREQUIN             |
| 21   | 17022031 | 4   | 17022031 | 4   | TORNILLO VOLANTE            | BOLT DRIVE                | VIS VOLANT                    |
| 22   | 17222027 | 1   | 17322027 | 1   | CONJUNTO VOLANTE            | FLYWHEEL SUB ASSY         | ENSEMBLE VOLANT               |
| 23   | 13222029 | 1   | 13222029 | 1   | CORONA                      | GEAR                      | COURONNE                      |
| 24   | 17222021 | 1   | 17222021 | 1   | PIÑON CIGÜEÑAL              | GEAR, CRANKSHAFT          | PIGNON VILEBREQUIN            |
| 25   | 53033006 | 6   | 53033006 | 6   | ARANDELA GROWER DIN 127-6   | WASHER GROWER DIN 127-6   | RONDELLE                      |
| 26   | 52102156 | 6   | 52102156 | 6   | TORNILLO DIN 933 M6-15 8.8  | BOLT DIN 933 M6-15 8.8    | VIS DIN 933 M6-15 8.8         |





| SOPORTES MOTOR<br>ENGINE SUPPORTS<br>SUPPORTS MOTEUR |          |     |          |     | MI33-44.14.1                  |                              |                             |
|--|----------|-----|----------|-----|-------------------------------|------------------------------|-----------------------------|
| FIG.   | REF.     |     |          |     | DESCRIPCIÓN                   | DESCRIPTION                  | DÉSIGNATION                 |
|  | MINI-33  | QTY | MINI-44  | QTY |                               |                              |                             |
| 1  | 17210002 | 2   | -        | -   | SOPORTE POSTERIOR             | REAR BRACKET                 | SUPPORT POSTERIEUR          |
| 1  | 17210010 | 2   | 17210010 | 2   | SOPORTE POSTERIOR             | REAR BRACKET                 | SUPPORT POSTERIEUR          |
| 2  | 52102309 | 6   | 52102309 | 6   | TORNILLO DIN 933 M10-30 8.8   | BOLT DIN 933 M10-30 8.8      | VIS DIN 933 M10-30 8.8      |
| 3  | 53033010 | 6   | 53033010 | 6   | ARANDELA GROWER DIN 127-10    | WASHER GROWER DIN 127-10     | RONDELLE                    |
| 4  | 52202361 | 4   | 52202361 | 4   | TORNI.DIN 933 M12-1,25-40 8.8 | BOLT DIN 933 M12-1,25-40 8.8 | VIS DIN 933 M12-1,25-40 8.8 |
| 5  | 53038012 | 5   | 53038012 | 5   | ARANDELA DIN 6798-A 12        | WASHER DIN 6798-A 12         | RONDELLE                    |
| 6  | 52220012 | 3   | 52220012 | 3   | TUERCA DIN 934 M12-1,25 8.8   | NUT DIN 934 M12-1,25 8.8     | ECROU DIN 934 M12-1,25 8.8  |
| 7  | 53033012 | 6   | 53033012 | 6   | ARANDELA GROWER DIN 127-12    | WASHER GROWER DIN 127-12     | RONDELLE                    |
| 8  | 52202363 | 2   | 52202363 | 2   | TORNI.DIN 933 M12-1,25-50 8.8 | BOLT DIN 933 M12-1,25-50 8.8 | VIS DIN 933 M12-1,25-50 8.8 |
| 9  | 52202365 | 1   | 52202365 | 1   | TORNI.DIN 933 M12-1,25-60 8.8 | BOLT DIN 933 M12-1,25-60 8.8 | VIS DIN 933 M12-1,25-60 8.8 |
| 10   | 17210001 | 2   | 17210001 | 2   | SOPORTE ANTERIOR              | BRACKET,FRONT                | SUPPORT ANTERIEUR           |
| 11   | 52202359 | 4   | 52202359 | 4   | TORNI.DIN 933 M12-1,25-30 8.8 | BOLT DIN 933 M12-1,25-30 8.8 | VIS DIN 933 M12-1,25-30 8.8 |
| 12*  | 61670000 | 4   | 61670000 | 4   | SUSPENSOR                     | FLEXIBLE MOUNTING ENGINE     | ENSEMBLE SUSPENSEUR         |
| 13*  | 61672000 | 4   | 61673000 | 4   | SUSPENSOR                     | FLEXIBLE MOUNTING ENGINE     | ENSEMBLE SUSPENSEUR         |
| 13**   | 61673000 | 4   | 61673000 | 4   | SUSPENSOR                     | FLEXIBLE MOUNTING ENGINE     | ENSEMBLE SUSPENSEUR         |

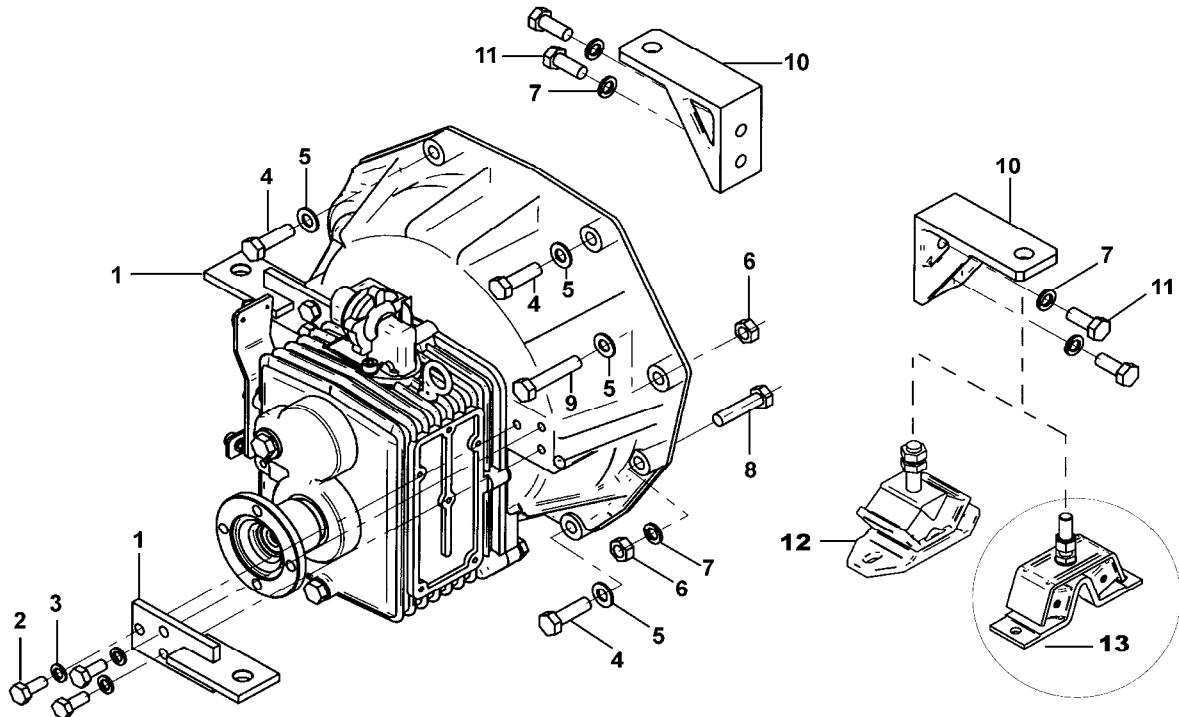
12\* - 13\*

VERIFICAR EL MODELO DE SUSPENSOR EQUIPADO EN SU BARCO  
CHECK, DEPENDING OF MODEL OF SILENTBLOCK INSTALLED  
VÉRIFIEZ, DÉPENDRE DU MODÈLE DE SILENTBLOCK INSTALLÉ

13\*\*

\*\* NUMERO DE SERIE MAYOR O IGUAL A 158326 (MINI-33)  
\*\* FROM OR EQUAL TO SERIAL NUMBER (MINI-33) 158326 (INCLUDED)  
\*\* NUMERO DE SERIE PLUS GRANDE OR EGAL A 158326 (MINI-33)

Ref. 61672000 / Part. No. 61672000: Anulada por la 61673000 / Cancelled by the new one 61673000

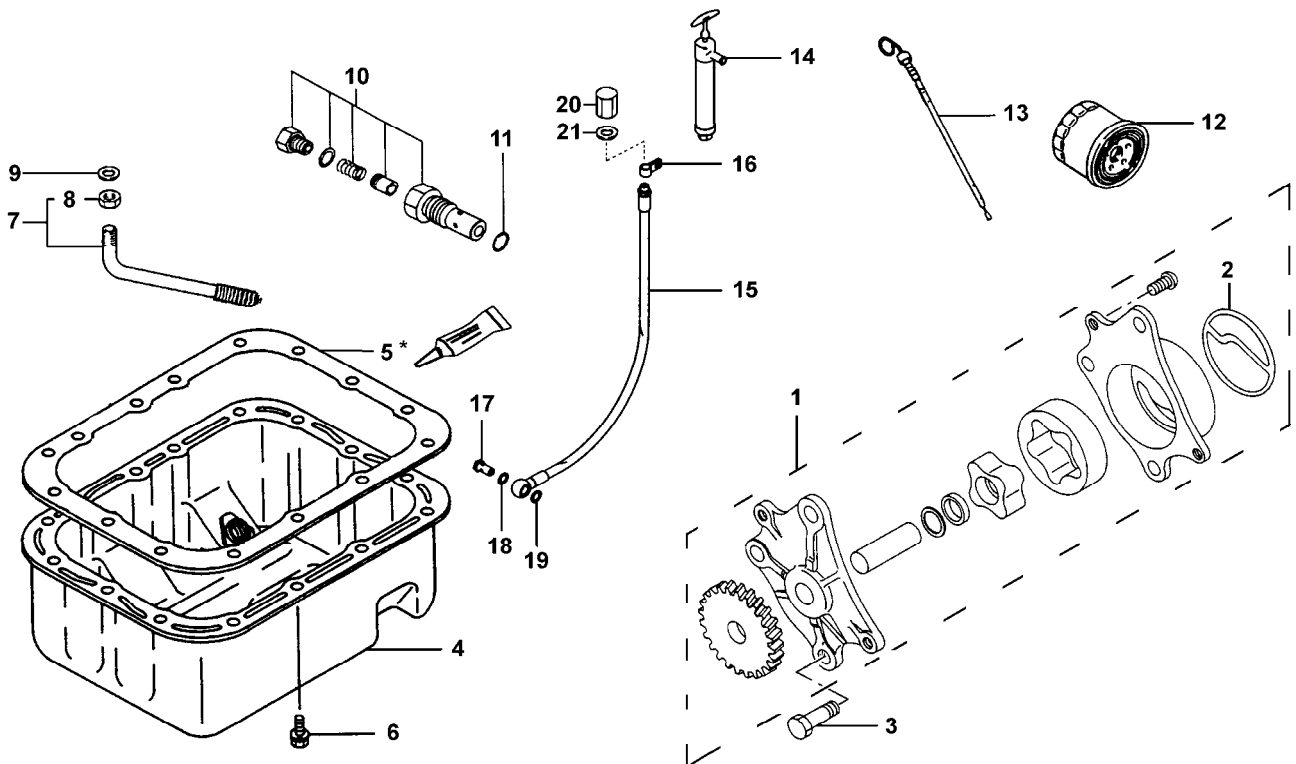


| SISTEMA DE ACEITE<br>OIL SYSTEM<br>SYSTÈME HUILE |          |     |          |     | MI33-44.15.0                 |                        |                              |
|--|----------|-----|----------|-----|------------------------------|------------------------|------------------------------|
| FIG.   | REF.     |     |          |     | DESCRIPCIÓN                  | DESCRIPTION            | DÉSIGNATION                  |
|  | MINI-33  | QTY | MINI-44  | QTY |                              |                        |                              |
| 1  | 17224040 | 1   | 17224040 | 1   | CONJUNTO BOMBA ACEITE        | PUMP ASSY, OIL         | ENSEMBLE POMPE HUILE         |
| 2  | 17224041 | 1   | 17224041 | 1   | JUNTA CUERPO                 | PACKING, BODY          | JOINT CORPS                  |
| 3  | 52102257 | 3   | 52102257 | 3   | TORNILLO DIN 933 M8-20 8.8   | BOLT DIN 933 M8-20 8.8 | VIS DIN 933 M8-20 8.8        |
| 4  | 17220030 | 1   | 17320030 | 1   | CARTER DE ACEITE             | PAN ASSY, OIL          | CARTER D'HUILE               |
| 5*   | NU028.75 | 1   | NU028.75 | 1   | NURAL 28 NARANJA 75ml        | NURAL 28 ORANGE 75ML   | NURAL 28 ORANGE 75ML         |
| 6  | 52102256 | 15  | 52102256 | 17  | TORNILLO DIN 933 M8-15 8.8   | BOLT DIN 933 M8-15 8.8 | VIS DIN 933 M8-15 8.8        |
| 7  | 17224052 | 1   | 13224052 | 1   | TUBO ASPIRACION ACEITE       | STRAINER ASSY          | TUYAU ASPIRATION HUILE       |
| 8  | 13822026 | 1   | 13822026 | 1   | TUERCA                       | NUT                    | ECROU                        |
| 9  | 17024001 | 1   | 17024001 | 1   | JUNTA                        | GASKET                 | JOINT                        |
| 10   | 17124071 | 1   | 17124071 | 1   | CONJUNTO VALVULA             | VALVE, assy            | ENSEMBLE SOUPEPE             |
| 11   | 17124063 | 1   | 17124063 | 1   | JUNTA                        | GASKET                 | JOINT                        |
| 12   | 13124051 | 1   | 13124051 | 1   | CONJUNTO FILTRO ACEITE       | FILTER ASSY,OIL        | ENSEMBLE FILTRE DE HUILE     |
| 13   | 17220029 | 1   | 17220029 | 1   | VARILLA NIVEL ACEITE         | GAGE, OIL LEVEL        | JAUGE NIVEAU HUILE           |
| 14   | 14714001 | 1   | 14714001 | 1   | BOMBA EXTRACCION ACEITE      | PUMP,oil suction       | POMPE EXTRACTION HUILE       |
| 15   | 17214021 | 1   | 17214021 | 1   | TUBO BOMBA EXTRACCION ACEITE | EXTRACTION, HOSE       | TUYAU POMPE EXTRACTION HUILE |
| 16   | 17214022 | 1   | 17214022 | 1   | SOPORTE TUBO EXTRACCION      | BRACKET, PIPE          | SUPPORT TUYAU EXTRACTION     |
| 17   | 12814051 | 1   | 12814051 | 1   | TORNILLO HUECO               | SCREW,eye              | VIS CREUX                    |
| 18   | 56000219 | 1   | 56000219 | 1   | ARANDELA COBRE 14-20-3       | WASHER 14-20-3         | RONDELLE 14-20-3             |
| 19   | 56000069 | 1   | 56000069 | 1   | ARANDELA COBRE 14-20-1,5     | WASHER 14-20-1,5       | RONDELLE 14-20-1,5           |
| 20   | 16514020 | 1   | 16514020 | 1   | TAPON HEMBRA 1/4             | PLUG                   | BOUCHON FEMELLE 1/4          |
| 21   | 56000219 | 1   | 56000219 | 1   | ARANDELA COBRE 14-20-3       | WASHER 14-20-3         | RONDELLE 14-20-3             |

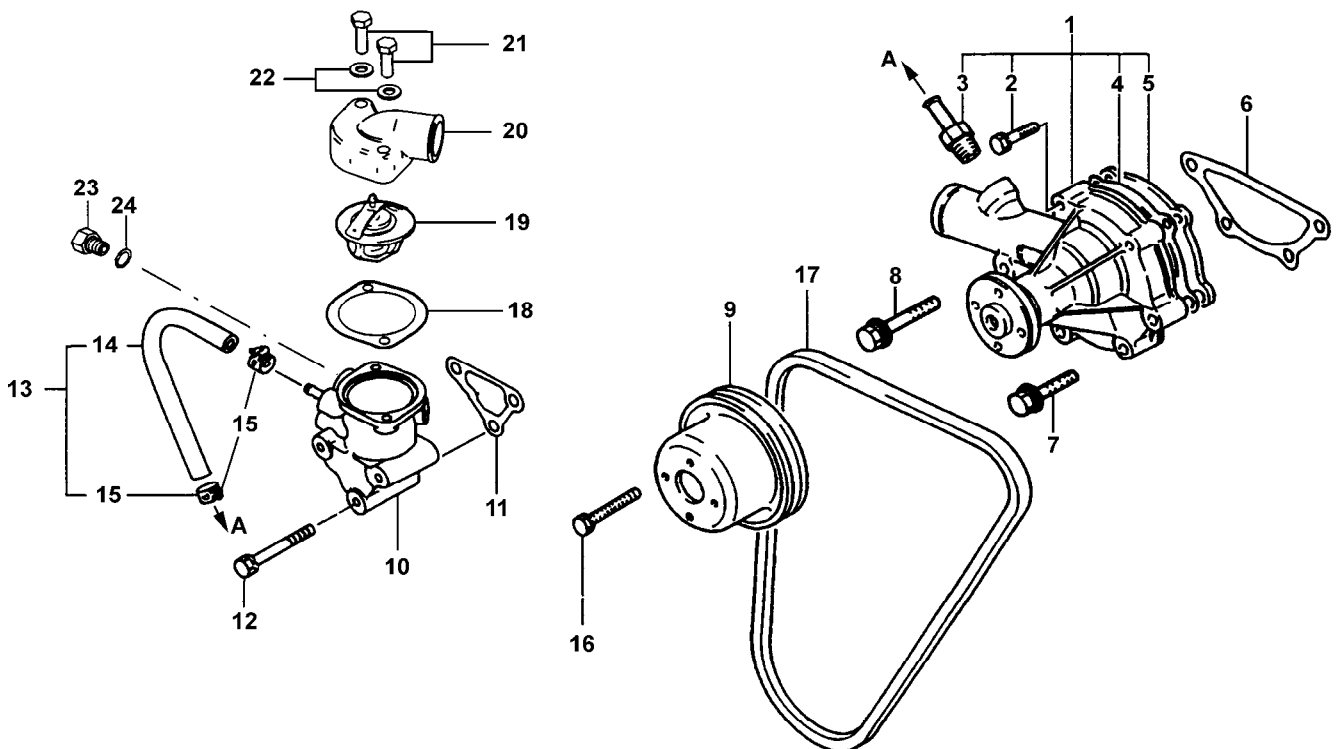
\* JUNTA REALIZADA CON NURAL O PASTA PARA JUNTAS

\* GASKET MADE WITH GASKET PASTE

\* JOINT DE CARTER FAIT AVEC PASTE POUR JOINTES

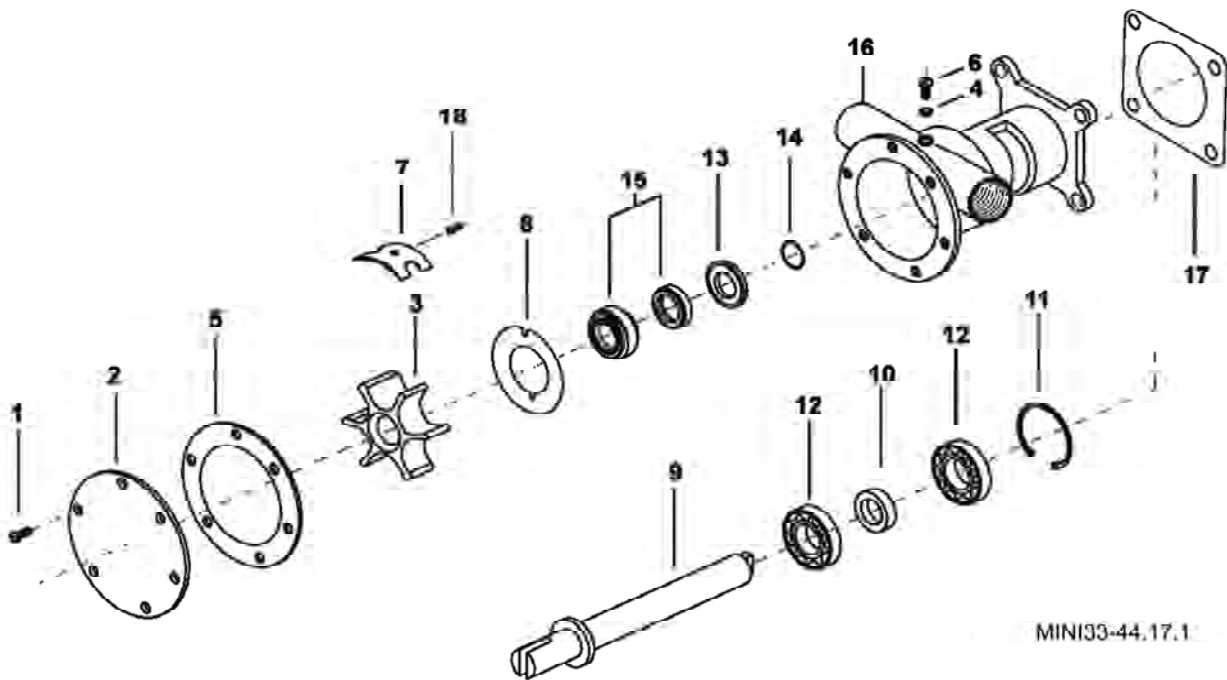


| BOMBA DE AGUA DULCE Y TERMOSTATO<br>WATER PUMP & THERMOSTAT<br>POMPE À EAU ET THERMOSTAT |          |     |          |     | MI33-44.16.0               |                         |                             |
|--|----------|-----|----------|-----|----------------------------|-------------------------|-----------------------------|
| FIG.   | REF.     |     |          |     | DESCRIPCIÓN                | DESCRIPTION             | DÉSIGNATION                 |
|  | MINI-33  | QTY | MINI-44  | QTY |                            |                         |                             |
| 1  | 17221020 | 1   | 17221020 | 1   | BOMBA DE AGUA              | PUMP ASSY, WATER        | POMPE A EAU                 |
| 2  | 17221043 | 2   | 17221043 | 2   | TORNILLO                   | BOLT,W/WASHER           | VIS                         |
| 3  | 17221026 | 1   | 17221026 | 1   | RACORD BOMBA AGUA          | JOINT,WATER PUMP        | RACCORD POMPE EAU           |
| 4  | 13221041 | 1   | 13221041 | 1   | JUNTA BOMBA AGUA           | GASKET WATER PUMP       | JOINT POMPE EAU             |
| 5  | 17121042 | 1   | 17121042 | 1   | TAPA BOMBA AGUA            | COVER, water pump       | COUVERCLE POMPE EAU         |
| 6  | 13221022 | 1   | 13221022 | 1   | JUNTA BOMBA AGUA           | GASKET WATER PUMP       | JOINT POMPE EAU             |
| 7  | 17221061 | 3   | 17221061 | 3   | TORNILLO                   | BOLT, WITH WASHER       | VIS                         |
| 8  | 17221062 | 1   | 17221062 | 1   | TORNILLO                   | BOLT, WITH WASHER       | VIS                         |
| 9  | 17221021 | 1   | 17221021 | 1   | POLEA BOMBA AGUA           | PULLEY,WATER PUMP       | POLIE POMPE EAU             |
| 10   | 17221037 | 1   | 17221037 | 1   | CONJUNTO TERMOSTATO        | ASSY THERMOSTAT         | ENSEMBLE THERMOSTAT         |
| 11   | 17221033 | 1   | 17221033 | 1   | JUNTA SOPORTE TERMOSTATO   | GASKET, THERMOSTAT CASE | JOINT SUPPORT THERMOSTAT    |
| 12   | 13224062 | 3   | 13224062 | 3   | TORNILLO                   | BOLT                    | VIS                         |
| 13   | 17221025 | 1   | 17221025 | 1   | CONJUNTO CODO              | HOSE ASSY               | ENSEMBLE COUDE              |
| 14   | 17221024 | 1   | 17221024 | 1   | CODO                       | HOSE                    | COUDE                       |
| 15   | 17221023 | 2   | 17221023 | 2   | ABRAZADERA                 | CLAMP                   | COLLIER                     |
| 16   | 17221060 | 4   | 17221060 | 4   | TORNILLO                   | BOLT, WITH WASHER       | VIS                         |
| 17   | 13421028 | 1   | 13421028 | 1   | CORREA                     | V-BELT                  | COURROIE                    |
| 18   | 17221031 | 1   | 17221031 | 1   | JUNTA TERMOSTATO           | GASKET,THERMOSTAT       | JOINT THERMOSTAT            |
| 19   | 17221027 | 1   | 17221027 | 1   | TERMOSTATO                 | THERMOSTAT              | THERMOSTAT                  |
| 20   | 17211020 | 1   | 17211020 | 1   | TAPA SALIDA TERMOSTATO     | FITTING, WATER OUTLET   | COUVERCLE SORTIE THERMOSTAT |
| 21   | 52101260 | 2   | 52101260 | 2   | TORNILLO DIN 931 M8-35 8.8 | BOLT DIN 931 M8-35 8.8  | VIS DIN 931 M8-35 8.8       |
| 22   | 53038008 | 2   | 53038008 | 2   | ARANDELA DIN 6798-A 8      | WASHER DIN 6798-A 8     | RONDILLE                    |
| 23   | 17121016 | 2   | 17121016 | 2   | TAPON DRENAJE              | PLUG, drain             | BOUCHON DRAINAGE            |
| 24   | 17121013 | 2   | 17121013 | 2   | JUNTA                      | GASKET                  | JOINT                       |



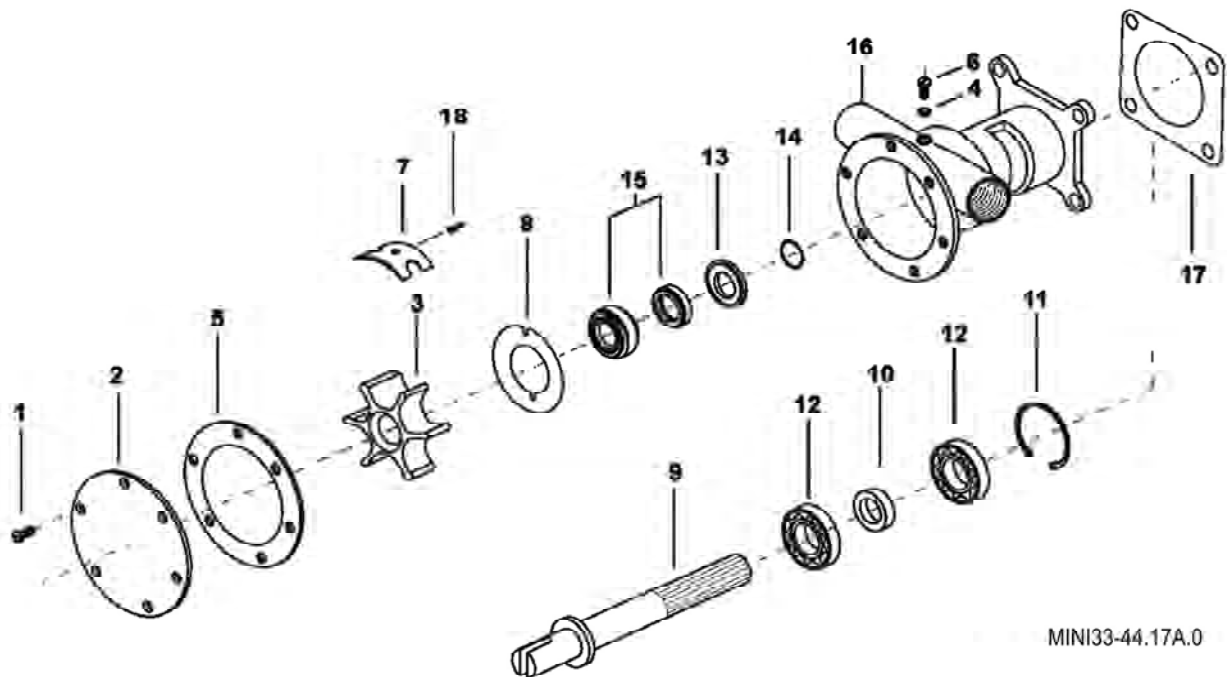
| BOMBA DE AGUA SALADA<br>SEA WATER PUMP<br>POMPE À EAU SALÉE |          |     |          |     | MI33-44.17.1                   |                          |                            |
|---|----------|-----|----------|-----|--------------------------------|--------------------------|----------------------------|
| FIG.  | REF.     |     |          |     | DESCRIPCIÓN                    | DESCRIPTION              | DÉSIGNATION                |
|   | MINI-33  | QTY | MINI-44  | QTY |                                |                          |                            |
| 1-18  | 33411000 | 1   | 33411000 | 1   | CONJUNTO BOMBA AGUA 1/2"       | PUMP WATER,assy 1/2"     | ENSEMBLE POMPE EAU         |
| 1   | 54102104 | 6   | 54102104 | 6   | TORNILLO DIN 933 M5-10 INOX.   | BOLT DIN 933 M5-10 INOX. | VIS DIN 933 M5-10 INOX.    |
| 2   | 31211002 | 1   | 31211002 | 1   | TAPA BOMBA                     | COVER PUMP               | COUVERCLE POMPE            |
| 3   | 31211008 | 1   | 31211008 | 1   | RODETE COMPLETO                | IMPELLER ASSY            | ROTOR COMPLET              |
| 4   | 57000301 | 1   | 57000301 | 1   | ARANDELA ALUMINIO 5-7,5-1      | WASHER 5-7,5-1           | RONDELLE                   |
| 5   | 31211003 | 1   | 31211003 | 1   | JUNTA TAPA                     | GASKET COVER             | JOINT COUVERCLE            |
| 6   | 55307105 | 1   | 55307105 | 1   | TORNILLO DIN 86 W3/16-13 LATON | BOLT DIN 86 W3/16-13     | VIS DIN 86 W3/16-13 LAITON |
| 7   | 31211005 | 1   | 31211005 | 1   | LEVA                           | CAM                      | LEVIER                     |
| 8   | 33411026 | 1   | 33411026 | 1   | DISCO ROZAMIENTO               | DISK                     | DISQUE                     |
| 9   | 33411010 | 1   | 33411010 | 1   | EJE BOMBA AGUA                 | SHAFT,water pump         | ARBRE POMPE EAU            |
| 10  | 33411015 | 1   | 33411015 | 1   | DISTANCIADOR RODAMIENTO        | BUSHING,spacer           | ECARTEUR ROULEMENT         |
| 11  | 53041032 | 1   | 53041032 | 1   | ANILLO ELASTICO DIN 472 I-32   | CIRCLIP DIN 472 I-32     | ANNEAU                     |
| 12  | 33411014 | 2   | 33411014 | 2   | RODAMIENTO                     | BEARING                  | ROULEMENT                  |
| 13  | 33411020 | 1   | 33411020 | 1   | RETEN                          | SEAL                     | JOINT D'ÉTANCHÉITÉ         |
| 14  | 33311013 | 1   | 33311013 | 1   | JUNTA TORICA 15-2              | O-RING 15-2              | JOINT TORIQUE 15-2         |
| 15  | 33411019 | 1   | 33411019 | 1   | SELLO MECANICO                 | SEAL                     | JOINT MÉCANIQUE            |
| 16  | 33411001 | 1   | 33411001 | 1   | CUERPO BOMBA AGUA              | BODY,WATER PUMP          | CORP POMPE EAU             |
| 17  | 13120047 | 1   | 13120047 | 1   | JUNTA BOMBA AGUA               | GASKET WATER PUMP        | JOINT POMPE EAU            |
| 18  | 33411017 | 1   | 13120047 | 1   | PASADOR 2,5x4                  | PIN,DOWEL                | GOUJON                     |

|    |                                      |                                 |   |
|----|--------------------------------------|---------------------------------|---|
| 18 | MOTORES MINI-33 N° DE SERIE > 146411 | MINI-33 WITH SERIAL NO > 146411 | MOTEURS MINI-33 AVEC N° DE SERIE > 146411 |
|    | MOTORES MINI-44 N° DE SERIE > 128431 | MINI-44 WITH SERIAL NO > 128431 | MOTEURS MINI-44 AVEC N° DE SERIE > 128431 |



| BOMBA DE AGUA SALADA (GRUPO ELECTROGENO)<br>SEA WATER PUMP (GET SET)<br>POMPE À EAU SALÉE (GROUPE ÉLECTROGÈNE) |          |     |          |     | MI33-44.17A.0                  |                          |                            |
|--|----------|-----|----------|-----|--------------------------------|--------------------------|----------------------------|
| FIG.   | REF.     |     |          |     | DESCRIPCIÓN                    | DESCRIPTION              | DÉSIGNATION                |
|  | MINI-33G | QTY | MINI-44G | QTY |                                |                          |                            |
| 1-18   | 37011200 | 1   | 37011200 | 1   | CONJUNTO BOMBA AGUA 1/2"       | PUMP,water assy          | ENS.POMPE EAU              |
| 1  | 54102104 | 6   | 54102104 | 6   | TORNILLO DIN 933 M5-10 INOX.   | BOLT DIN 933 M5-10 INOX. | VIS DIN 933 M5-10 INOX.    |
| 2  | 31211002 | 1   | 31211002 | 1   | TAPA BOMBA                     | COVER PUMP               | COUVERCLE POMPE            |
| 3  | 31211008 | 1   | 31211008 | 1   | RODETE COMPLETO                | IMPELLER ASSY            | ROTOR COMPLET              |
| 4  | 57000301 | 1   | 57000301 | 1   | ARANDELA ALUMINIO 5-7,5-1      | WASHER 5-7,5-1           | RONDELLE                   |
| 5  | 31211003 | 1   | 31211003 | 1   | JUNTA TAPA                     | GASKET COVER             | JOINT COUVERCLE            |
| 6  | 55307105 | 1   | 55307105 | 1   | TORNILLO DIN 86 W3/16-13 LATON | BOLT DIN 86 W3/16-13     | VIS DIN 86 W3/16-13 LAITON |
| 7  | 31211005 | 1   | 31211005 | 1   | LEVA                           | CAM                      | LEVIER                     |
| 8  | 33411026 | 1   | 33411026 | 1   | DISCO ROZAMIENTO               | DISK                     | DISQUE                     |
| 9  | 37011210 | 1   | 37011200 | 1   | EJE BOMBA AGUA                 | SHAFT,water pump         | ARBRE POMPE EAU            |
| 10   | 33411015 | 1   | 33411015 | 1   | DISTANCIADOR RODAMIENTO        | BUSHING,spacer           | ECARTEUR ROULEMENT         |
| 11   | 53041032 | 1   | 53041032 | 1   | ANILLO ELASTICO DIN 472 I-32   | CIRCLIP DIN 472 I-32     | ANNEAU                     |
| 12   | 33411014 | 2   | 33411014 | 2   | RODAMIENTO                     | BEARING                  | ROULEMENT                  |
| 13   | 33411020 | 1   | 33411020 | 1   | RETEN                          | SEAL                     | JOINT D'ÉTANCHÉITÉ         |
| 14   | 33311013 | 1   | 33311013 | 1   | JUNTA TORICA 15-2              | O-RING 15-2              | JOINT TORIQUE 15-2         |
| 15   | 33411019 | 1   | 33411019 | 1   | SELLO MECANICO                 | SEAL                     | JOINT MÉCANIQUE            |
| 16   | 33411001 | 1   | 33411001 | 1   | CUERPO BOMBA AGUA              | BODY,WATER PUMP          | CORP POMPE EAU             |
| 17   | 13120047 | 1   | 13120047 | 1   | JUNTA BOMBA AGUA               | GASKET WATER PUMP        | JOINT POMPE EAU            |
| 18   | 33411017 | 1   | 13120047 | 1   | PASADOR 2,5x4                  | PIN,DOWEL                | GOUJON                     |

|    |                                      |                                 |   |
|----|--------------------------------------|---------------------------------|---|
| 18 | MOTORES MINI-33 N° DE SERIE > 146411 | MINI-33 WITH SERIAL NO > 146411 | MOTEURS MINI-33 AVEC N° DE SERIE > 146411 |
|    | MOTORES MINI-44 N° DE SERIE > 128431 | MINI-44 WITH SERIAL NO > 128431 | MOTEURS MINI-44 AVEC N° DE SERIE > 128431 |

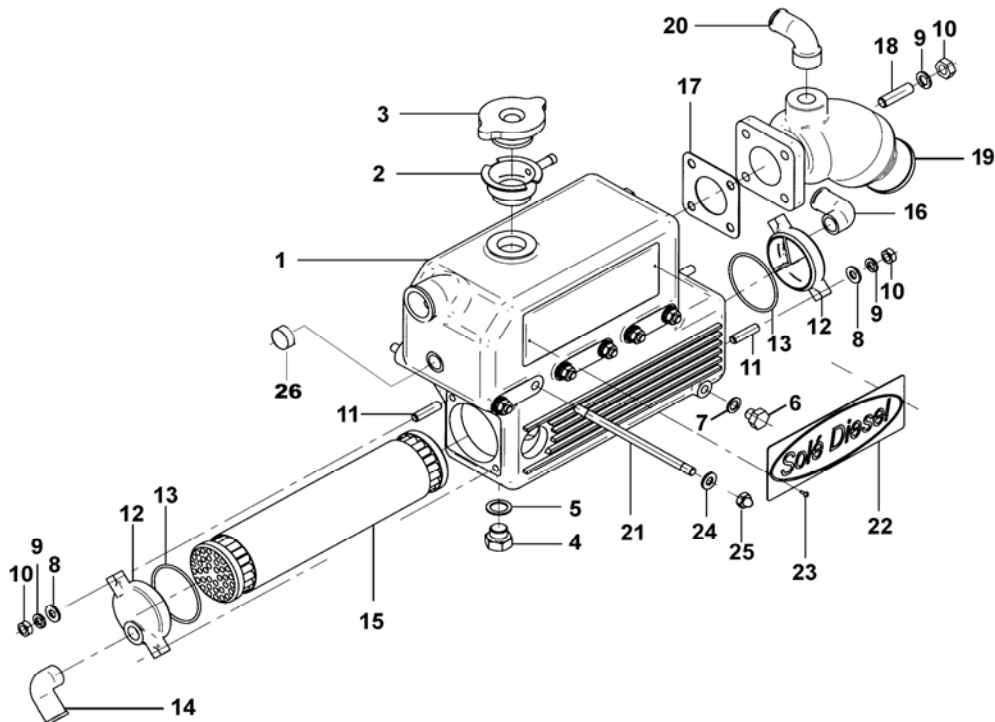


MINI33-44.17A.0

| INTERCAMBIADOR DE CALOR<br>HEAT EXCHANGER<br>ECHANGEUR EAU-EAU |           |     |           |     |                                     | MI33-44.18.2                 |                              |
|--|-----------|-----|-----------|-----|-------------------------------------|------------------------------|------------------------------|
| FIG  | REF       |     |           |     | DESCRIPCIÓN                         | DESCRIPTION                  | DÉSIGNATION                  |
|  | MINI-33   | QTY | MINI-44   | QTY |                                     |                              |                              |
| 1  | 17211000  | 1   | -         | -   | CONJUNTO REFRIGER.AGUA MINI-33      | WATER COOLER,ASSY MINI-33    | ENSEMBLE REFLOID.EAU MINI-33 |
|  | -         | -   | 17311000  | 1   | CONJUNTO REFRIGER.AGUA MINI-44      | WATER COOLER,ASSY MINI-44    | ENSEMBLE REFLOID.EAU MINI-44 |
| 2  | 17211001  | 1   | 17311001  | 1   | CUERPO REFRIGERADOR                 | BODY,water cooler            | CORPS REFRIGERATEUR          |
|  | 15111002R | 1   | 15111002R | 1   | BOCA PORTA TAPON                    | CAP,mouth                    | BOUCHE PORTE-BOUCHON         |
| 3  | 14711003  | 1   | 14711003  | 1   | TAPON DE LLENADO                    | CAP                          | BOUCHON DE REMPLISSAGE       |
| 4  | 12111076  | 1   | 12111076  | 1   | TAPON                               | PLUG                         | BOUCHON                      |
| 5  | 56000073  | 1   | 56000073  | 1   | ARANDELA COBRE 16-23-1,5            | WASHER 16-23-1,5             | RONDELLE                     |
| 6  | 52102306  | 1   | 52102306  | 1   | TORNILLO DIN 933 M10-15 8.8 CINCADO | BOLT DIN 933 M10-15 8.8      | VIS DIN 933 M10-15 8.8       |
| 7  | 56000061  | 1   | 56000061  | 1   | ARANDELA COBRE 10-16-1,5            | WASHER 10-16-1,5             | RONDELLE                     |
| 8  | 51030008  | 4   | 51030008  | 4   | ARANDELA ACERO DIN 125-8            | WASHER DIN 125-8             | RONDELLE PLATE DIN 125-8     |
| 9  | 53033008  | 8   | 53033008  | 8   | ARANDELA GROWER DIN 127-8           | WASHER GROWER DIN 127-8      | ROND.ÉLAST.GROWER DIN 127-8  |
| 10   | 52120008  | 8   | 52120008  | 8   | TUERCA DIN 934 M8 8.8 (C.10)        | NUT DIN 934 M8 8.8           | ECROU DIN 934 M8 8.8         |
| 11   | 13311006  | 4   | 13311006  | 4   | ESPARRAGO                           | STUD,cover                   | ENTRETOISE                   |
| 12   | 13811002  | 2   | 13811002  | 2   | TAPA REFRIGERADOR                   | COVER, water cooler          | COUVERCLE REFROIDISSEUR      |
| 13   | 13811007  | 2   | 13811007  | 2   | JUNTA TORICA 57-2,5                 | O-RING 57-2,5                | JOINT TORIQUE 57-2,5         |
| 14   | 13211035  | 1   | 13211035  | 1   | CODO 1/2" (largo)                   | EXHAUST MANIFOLD OUTLET BEND | COUDE COLLECTEUR             |
| 15   | 17211004  | 1   | 17011004  | 1   | CUERPO TUBULAR                      | ELEMENT,WATER COOLER         | CORP TUBULAIRE               |
| 16   | 13211035  | 1   | 13211035  | 1   | CODO                                | ELBOW                        | COUDE                        |
| 17   | 15113043  | 1   | 15113043  | 1   | JUNTA COLECTOR ESCAPE               | EXHAUST OUTLER GASKET        | JOINT COLLECTEUR ÉCHAPPEMENT |
| 18   | 13311006  | 4   | 13311006  | 4   | ESPARRAGO                           | STUD,cover                   | ENTRETOISE                   |
| 19   | 17013015  | 1   | 17013015  | 1   | CODO ESCAPE HUMEDO                  | ELBOW,wet exhaust            | COUDE ÉCHAPPEMENT            |
| 20   | 17211028  | 1   | 17211028  | 1   | CODO 3/4 GAS                        | WATER BEND                   | COUDE EAU                    |
| 21   | 17211015  | 6   | 17211015  | 8   | ESPARRAGO COLECTOR                  | MANIFOLD MOUNTING STUD       | ENTRETOISE COLLECTEUR        |
| 22   | 17111060  | 1   | 17111060  | 1   | PLACA "SOLE DIESEL"                 | PLATE "SOLE DIESEL"          | PLAQUE "SOLE DIESEL"         |
| 23   | 17111062  | 2   | 17111062  | 2   | TORNILLO FIJACION PLACA 2,9         | BOLT                         | VIS                          |
| 24   | 56000057  | 6   | 51030008  | 8   | ARANDELA COBRE 8-13-1,5             | WASHER 8-13-1,5              | RONDELLE                     |
| 25   | 55122008  | 6   | 51030008  | 8   | TUERCA DIN 1587 M8 LATON            | NUT DIN 1587 M8              | ECROU DIN 1587 M8 LAITON     |
| 26   | 12113092  | 1   | 12113092  | 1   | TAPON                               | PLUG                         | BOUCHON                      |
| 27*  | 17211000R | 1   |           |     | CONJUNTO REFRIGER.AGUA MINI-33      | WATER COOLER,ASSY MINI-33    | ENSEMBLE REFLOID.EAU MINI-33 |
| 28*  |           |     | 17311000R | 1   | CONJUNTO REFRIGER.AGUA MINI-44      | WATER COOLER,ASSY MINI-44    | ENSEMBLE REFLOID.EAU MINI-44 |

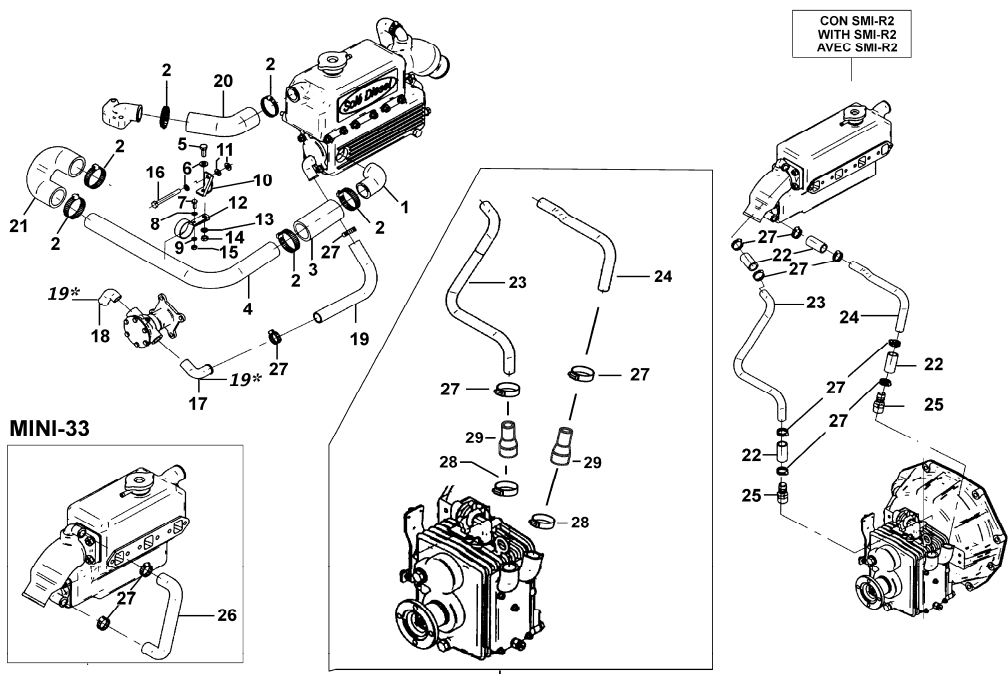
27\* / 28\*

CONJUNTO REFRIGERADOR SIN PLACA POS. 22  
WATER COOLER, WITHOUT FIG. 22



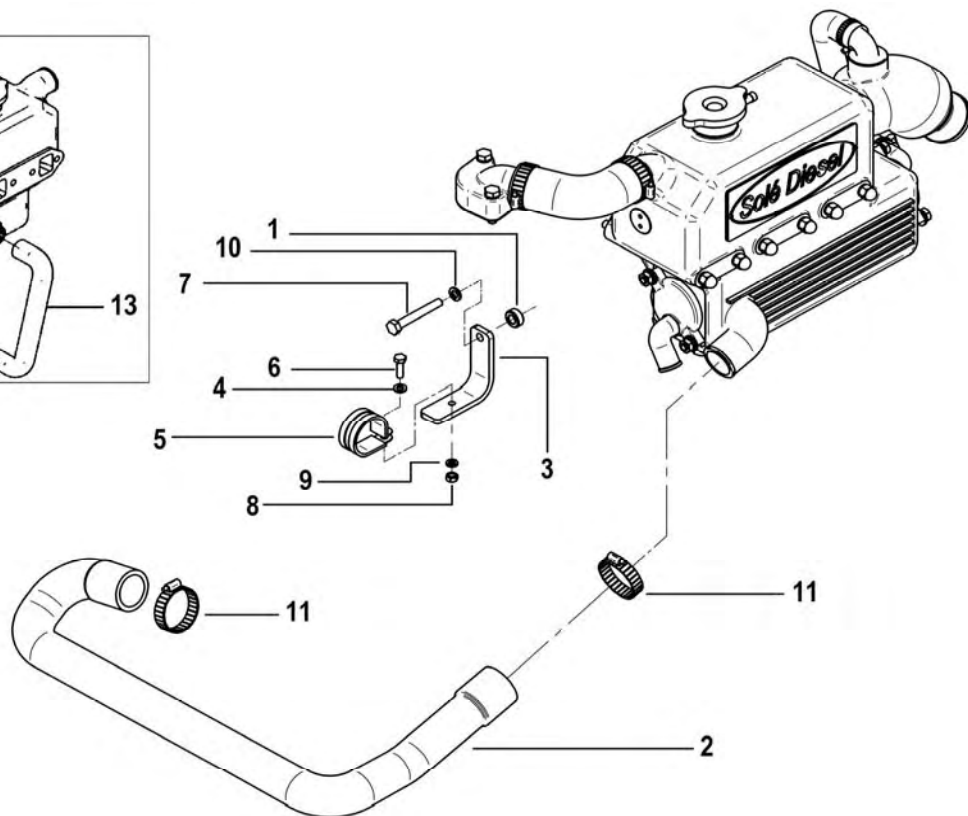
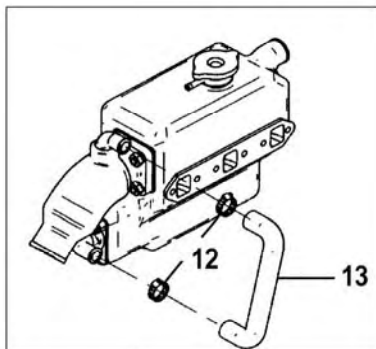
| CIRCUITOS DE REFRIGERACIÓN CON INVERSOR SMI-R2<br>COOLING CIRCUITS WITH SMI-R2 GEARBOX<br>CIRCUITS DE REFROIDISSEMENT AVEC INVERSEUR SMI-R2 |          |     |          |     |                                | MI33-44.19.1                  |                              |
|---|----------|-----|----------|-----|--------------------------------|-------------------------------|------------------------------|
| FIG.  | REF.     |     |          |     | DESCRIPCIÓN                    | DESCRIPTION                   | DÉSIGNATION                  |
|   | MINI-33  | QTY | MINI-44  | QTY |                                |                               |                              |
| 1   | 17111011 | 1   | 17111011 | 1   | CODO 1 1/8"                    | ELBOW 1 1/8"                  | COUDE 1 1/8"                 |
| 2   | 54082025 | 6   | 54082025 | 6   | ABRAZ.DIN 3017 25-40/12 W4     | CLAMP DIN 3017 25-40/12 W4    | COLLIER DIN 3017 25-40/12 W4 |
| 3   | 15211053 | 1   | 15211053 | 1   | MANGUITO 38-50-100             | RUBBER SLEEVE 38-50-100       | MANCHON 38-50-100            |
| 4   | 17011022 | 1   | 17011022 | 1   | TUBO DE INTERCAMB.A MOTOR      | PIPE,from cooler to engine    | TUYAU                        |
| 5   | 52102257 | 1   | 52102257 | 1   | TORNILLO DIN 933 M8-20 8.8     | BOLT DIN 933 M8-20 8.8        | VIS DIN 933 M8-20 8.8        |
| 6   | 53033008 | 2   | 53033008 | 2   | ARANDELA GROWER DIN 127-8      | WASHER GROWER DIN 127-8       | ROND.ÉLAST.GROWER DIN 127-8  |
| 7   | 52102156 | 1   | 52102156 | 1   | TORNILLO DIN 933 M6-15 8.8     | BOLT DIN 933 M6-15 8.8        | VIS DIN 933 M6-15 8.8        |
| 8   | 53033006 | 1   | 53033006 | 1   | ARANDELA GROWER DIN 127-6      | WASHER GROWER DIN 127-6       | RONDELLE                     |
| 9   | 51030006 | 1   | 51030006 | 1   | ARANDELA ACERO DIN 125-6       | WASHER DIN 125-6              | RONDELLE                     |
| 10  | 17211026 | 1   | 17211026 | 1   | ESCUADRA SOPORTE TUBO          | BRACKET, PIPE                 | EQUERRE SUPPORT TUYAU        |
| 11  | 51030008 | 2   | 51030008 | 2   | ARANDELA ACERO DIN 125-8       | WASHER DIN 125-8              | RONDELLE PLATE DIN 125-8     |
| 12  | 17211027 | 1   | 17211027 | 1   | SOPORTE TUBO                   | BRACKET, PIPE                 | SUPPORT TUYAU                |
| 13  | 51030008 | 1   | 51030008 | 1   | ARANDELA ACERO DIN 125-8       | WASHER DIN 125-8              | RONDELLE PLATE DIN 125-8     |
| 14  | 52120008 | 1   | 52120008 | 1   | TUERCA DIN 934 M8 8.8 (C.10)   | NUT DIN 934 M8 8.8            | ECROU DIN 934 M8 8.8         |
| 15  | 52120006 | 1   | 52120006 | 1   | TUERCA DIN 934 M6 8.8 (C.10)   | NUT DIN 934 M6 8.8            | ECROU DIN 934 M6 8.8         |
| 16  | 52101263 | 1   | 52101263 | 1   | TORNILLO DIN 931 M8-50 8.8     | BOLT DIN 931 M8-50 8.8        | VIS DIN 931 M8-50 8.8        |
| 17  | 13211035 | 1   | 13211035 | 2   | CODO 1/2" (largo)              | EXHAUST MANIFOLD OUTLET BEND  | COUDE COLLECTEUR             |
| 18  | 13211027 | 1   | 13211027 | 1   | #N/A                           | #N/A                          | #N/A                         |
| 19*   | 13811027 | 2   | 13811027 | 2   | CODO 1/2"                      | ELBOW 1/2"                    | COUDE 1/2"                   |
| 19  | 17011012 | 1   | 17011012 | 1   | CODO DE BOMBA A INTERCAMBIADOR | ELBOW                         | COUDE DE POMPE               |
| 20  | 17211021 | 1   | 17211021 | 1   | CODO                           | BEND                          | COUDE                        |
| 21  | 17011025 | 1   | 17011025 | 1   | DOBLE CODO GOMA                | PIPE,rubber                   | DOUBLE COUDE GOMME           |
| 22  | -        | -   | 16111015 | 2   | MANGUITO 20-28-55              | RUBBER PIPE 20-28-55          | RUBBER PIPE 20-28-55         |
| 23  | -        | -   | 17311030 | 1   | TUBO DE INV.A CODO ESC.HUMEDO  | PIPE                          | PIPE                         |
| 24  | -        | -   | 17311029 | 1   | TUBO SALIDA REF.INVERSOR       | PIPE                          | PIPE                         |
| 25  | -        | -   | 60300020 | 2   | RACORD FILTRO AGUA P/GOMA 20   | NIPPLE,ball                   | NIPPLE,ball                  |
| 26  | 17211034 | 1   | -        | -   | CODO GOMA ENTRADA ESCAPE       | RUBBER WET EXHAUST INLET BEND | COUDE GOMME                  |
| 27  | 54081020 | 6   | 54081020 | 8   | ABRAZ.DIN 3017 20-32/9 W4      | CLAMP DIN 3017 20-32/9 W4     | COLLIER DIN 3017 20-32/9 W4  |
| 28  | 54082025 | 2   | 54082025 | 2   | ABRAZ.DIN 3017 25-40/12 W4     | CLAMP DIN 3017 25-40/12 W4    | COLLIER DIN 3017 25-40/12 W4 |
| 29  | 17311012 | 2   | 17311012 | 2   | MANGUITO                       | SLEEVE                        | MANCHON                      |

|     |   |
|-----|---|
| 19* | * NUMERO DE SERIE MAYOR O IGUAL A 135644 (MINI-33) Y 121936 (MINI-44)               |
|     | * FROM OR EQUAL TO SERIAL NUMBER 135644 FOR (MINI-33) , 121936 FOR (MINI-44)        |
|     | * NUMERO DE SERIE PLUS GRANDE OR EGAL A 135644 PAR (MINI-33) Y 121936 PAR (MINI-44) |



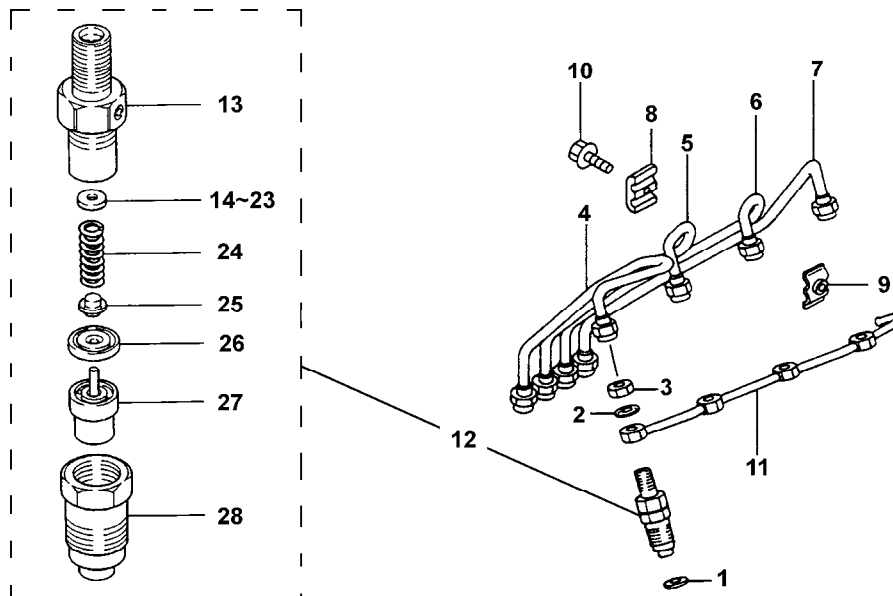
\* MONTAJE ACTUAL. LAS PIEZAS N°29 SUSTITUYEN A LAS PIEZAS N° 22 Y 25  
 \* CURRENT VERSION, PARTS NO.22 AND 25 ARE SUSTITUTED BY PARTS NO. 29  
 \* VERSION ACTUELLE .PIECES NU.22 ET 25 ONT REMPLACÉES PAR DES PIECES NU. 29

| CIRCUITOS DE REFRIGERACIÓN NUEVO CON INVERSOR SMI-R3 Y RONIM-V<br>NEW COOLING CIRCUITS WITH SMI-R3 & RONIM-V GEARBOXES<br>CIRCUITS DE REFROIDISSEMENT AVEC INVERSEURS SMI-R3 ET RONIM-V |          |     |          |     |                                | MI33-44.20.0                  |                              |
|---|----------|-----|----------|-----|--------------------------------|-------------------------------|------------------------------|
| FIG.  | REF.     |     |          |     | DESCRIPCIÓN                    | DESCRIPTION                   | DÉSIGNATION                  |
|   | MINI-33  | QTY | MINI-44  | QTY |                                |                               |                              |
| 1   | 12117044 | 1   | 12117044 | 1   | SUPLEMENTO ESPARRAGO           | SPACER                        | SUPPLÉMENT ENTRETOISE        |
| 2   | 17211006 | 1   | 17211006 | 1   | TUBO GOMA                      | PIPE RUBBER                   | TUYAU                        |
| 3   | 17211029 | 1   | 17211029 | 1   | SOPORTE TUBO                   | BRACKET, PIPE                 | SUPPORT TUYAU                |
| 4   | 51030006 | 1   | 51030006 | 1   | ARANDELA ACERO DIN 125-6       | WASHER DIN 125-6              | RONDELLE                     |
| 5   | 51071373 | 1   | 51071373 | 1   | ABRAZADERA FIJ.TIPO 1 37/15 W1 | CLAMP 31-40/15 W1             | COLLIER 31-40/15 W1          |
| 6   | 52102157 | 1   | 52102157 | 1   | TORNILLO DIN 933 M6-20 8.8     | BOLT DIN 933 M6-20 8.8        | VIS DIN 933 M6-20 8.8        |
| 7   | 52101265 | 1   | 52101265 | 1   | TORNILLO DIN 931 M8-60 8.8     | BOLT DIN 931 M8-60 8.8        | VIS DIN 931 M8-60 8.8        |
| 8   | 52120006 | 1   | 52120006 | 1   | TUERCA DIN 934 M6 8.8 (C.10)   | NUT DIN 934 M6 8.8            | ECROU DIN 934 M6 8.8         |
| 9   | 53033006 | 1   | 53033006 | 1   | ARANDELA GROWER DIN 127-6      | WASHER GROWER DIN 127-6       | RONDELLE                     |
| 10  | 53033008 | 1   | 53033008 | 1   | ARANDELA GROWER DIN 127-8      | WASHER GROWER DIN 127-8       | ROND.ÉLAST.GROWER DIN 127-8  |
| 11  | 54082032 | 2   | 54082032 | 2   | ABRAZ.DIN 3017 32-50/12 W4     | CLAMP DIN 3017 32-50/12 W4    | COLLIER DIN 3017 32-50/12 W4 |
| 12  | 54081020 | 2   | 54081020 | 2   | ABRAZ.DIN 3017 20-32/9 W4      | CLAMP DIN 3017 20-32/9 W4     | COLLIER DIN 3017 20-32/9 W4  |
| 13  | 17211034 | 1   | 17211034 | 1   | CODO GOMA ENTRADA ESCAPE       | RUBBER WET EXHAUST INLET BEND | COUDE GOMME                  |



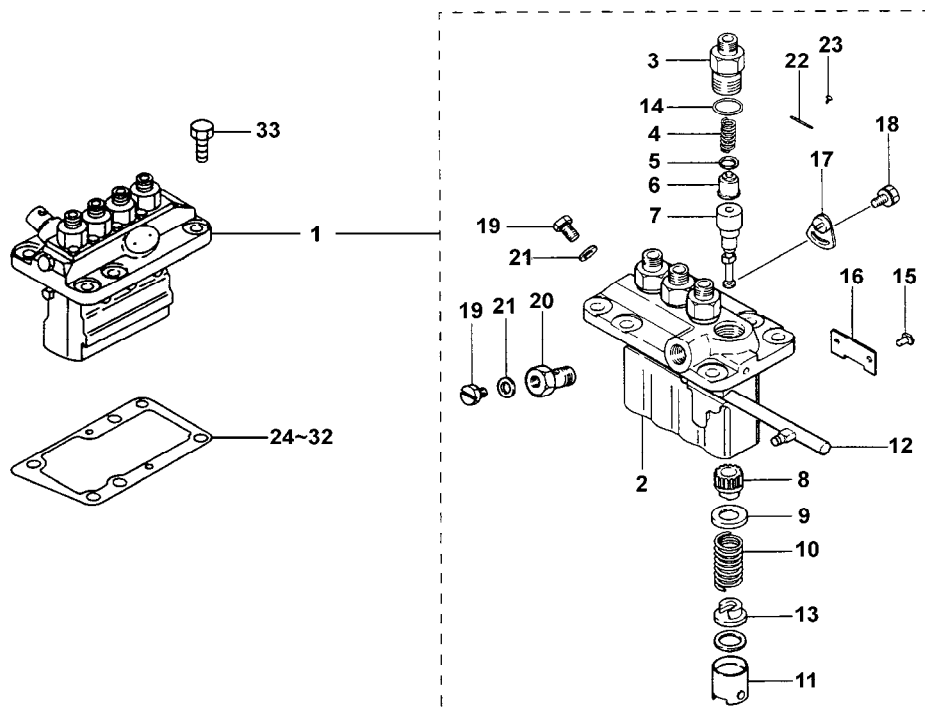


| TUBOS DE INYECCIÓN E INYECTOR<br>INJECTION PIPES & NOZZLES<br>TUYAUS D'INJECTION ET INJECTEURS |          |     |          |     |                    | MI33-44.21.1        |                     |
|--|----------|-----|----------|-----|--------------------|---------------------|---------------------|
| FIG.   | REF.     |     |          |     | DESCRIPCIÓN        | DESCRIPTION         | DÉSIGNATION         |
|  | MINI-33  | QTY | MINI-44  | QTY |                    |                     |                     |
| 1  | 13824013 | 3   | 13824013 | 4   | ARANDELA INYECTOR  | GASKET              | RONDELLE            |
| 2  | 13824025 | 3   | 13824025 | 4   | JUNTA              | GASKET              | JOINT               |
| 3  | 13824024 | 3   | 13824024 | 4   | TUERCA             | NUT                 | ECROU               |
| 4  | 17224015 | 1   | 17224015 | 1   | TUBO INYECCION N.1 | PIPE, INJECTION N°1 | TUYAU INJECTION N°1 |
| 5  | 17224016 | 1   | 17224016 | 1   | TUBO INYECCION N.2 | PIPE, INJECTION N°2 | TUYAU INJECTION N°2 |
| 6  | 17224019 | 1   | 17224019 | 1   | TUBO INYECCION N.3 | PIPE, INJECTION N°3 | TUYAU INJECTION N°3 |
| 7  | -        | -   | 17324020 | 1   | TUBO INYECCION N.4 | TUBO INYECCION N.4  | TUBO INYECCION N.4  |
| 8  | 13124018 | 2   | 13124018 | 3   | ABRAZADERA         | CLAMP (A)           | COLLIER             |
| 9  | 13124017 | 2   | 13124017 | 3   | ABRAZADERA         | CLAMP (B)           | COLLIER             |
| 10   | 13124019 | 2   | 13124019 | 3   | TORNILLO           | BOLT                | VIS                 |
| 11   | 17224002 | 1   | 17324002 | 1   | TUBO SOBRADERO     | PIPE, FUEL LEAK OFF | TUYAU               |
| 12   | 13826001 | 3   | 13826001 | 4   | INYECTOR COMPLETO  | NOZZLE & HOLDER A   | INJECTEUR COMPLET   |
| 13   | 13826002 | 3   | 13826002 | 4   | CUERPO             | BODY ASSY           | CORP                |
| 14   | 13826010 | AR  | 13826010 | AR  | ARANDELA 1,25 mm.  | WASHER T=1.25       | RONDELLE 1,25 MM    |
| 15   | 13826011 | AR  | 13826011 | AR  | ARANDELA 1,30 mm.  | WASHER T=1.30       | RONDELLE 1,30 MM    |
| 16   | 13826012 | AR  | 13826012 | AR  | ARANDELA 1,35 mm.  | WASHER T=1.35       | RONDELLE 1,35 MM    |
| 17   | 13826013 | AR  | 13826013 | AR  | ARANDELA 1,40 mm.  | WASHER T=1.40       | RONDELLE 1,40 MM    |
| 18   | 13826014 | AR  | 13826014 | AR  | ARANDELA 1,45 mm.  | WASHER T=1.45       | RONDELLE 1,45 MM    |
| 19   | 13826015 | AR  | 13826015 | AR  | ARANDELA 1,50 mm.  | WASHER T=1.50       | RONDELLE 1,50 MM    |
| 20   | 13826016 | AR  | 13826016 | AR  | ARANDELA 1,55 mm.  | WASHER T=1.55       | RONDELLE 1,55 MM    |
| 21   | 13826017 | AR  | 13826017 | AR  | ARANDELA 1,60 mm.  | WASHER T=1.60       | RONDELLE 1,60 MM    |
| 22   | 13826019 | AR  | 13826019 | AR  | ARANDELA 1,65 mm.  | WASHER T=1.65       | RONDELLE 1,65 MM    |
| 23   | 13826020 | AR  | 13826020 | AR  | ARANDELA 1,70 mm.  | WASHER T=1.70       | RONDELLE 1,70 MM    |
| 24   | 17226004 | 3   | 17226004 | 4   | MUELLE DE PRESION  | SPRING, PRESSURE    | RESSORT A PRESSION  |
| 25   | 13826003 | 3   | 13826003 | 4   | PASADOR            | PIN PRESSURE        | GOUJON              |
| 26   | 13826007 | 3   | 13826007 | 4   | DISTANCIADOR       | PIECE DISTANCE      | ECARTEUR            |
| 27   | 13826018 | 3   | 13826018 | 4   | TOBERA             | NOZZLE ASSY         | TUYÈRE              |

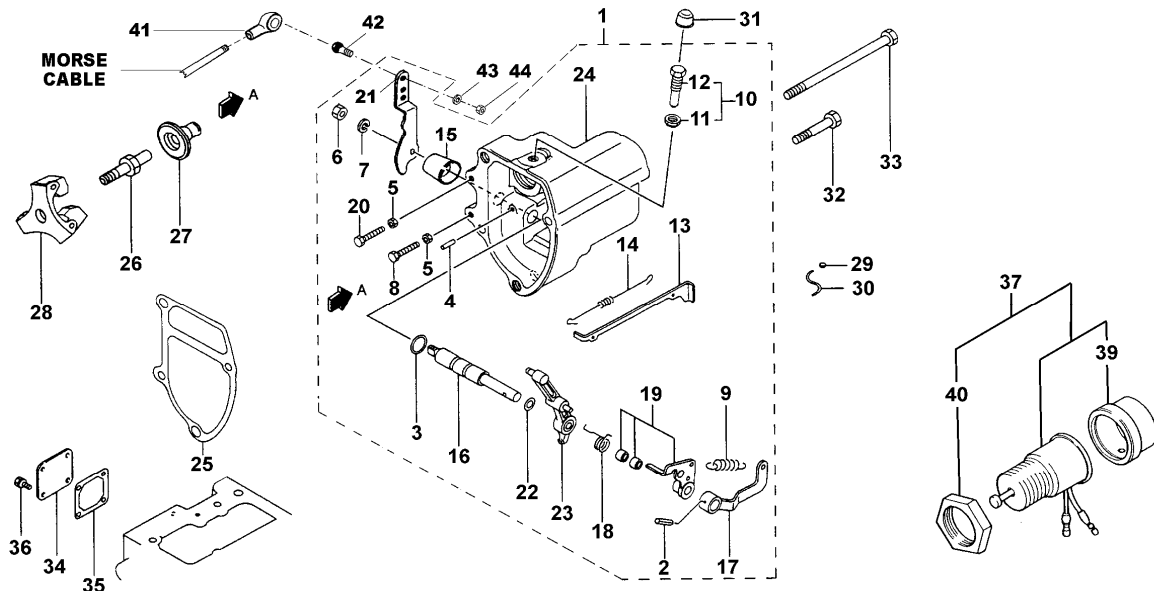


| BOMBA INYECTORA<br>INJECTION PUMP<br>POMPE À INJECTION |            |     |          |     | MI33-44.22.0                  |                           |                                |
|--|------------|-----|----------|-----|-------------------------------|---------------------------|--------------------------------|
| FIG.   | REF.       |     |          |     | DESCRIPCIÓN                   | DESCRIPTION               | DÉSIGNATION                    |
|  | MINI-33    | QTY | MINI-44  | QTY |                               |                           |                                |
| 1  | 17225001   | 1   | 17325001 | 1   | BOMBA INYECTORA               | PUMP ASSY, FUEL INJECTION | POMPE A INJECTION              |
| 1*   | 17225001.1 | 1   | -        | -   | BOMBA INYECTORA               | PUMP ASSY, FUEL INJECTION | POMPE A INJECTION              |
| 2  | 17225005   | 1   | 17325005 | 1   | CUERPO BOMBA INYECTORA        | HOUSING SUB ASSY          | CORPS POMPE A INJECTION        |
| 3  | 13125004   | 3   | 13125004 | 4   | SOPORTE VALVULA ENTREGA       | HOLDER DELIVERY V         | SUPPORT                        |
| 4  | 17225002   | 3   | 17225002 | 4   | MUELLE VALVULA SUMINISTRO     | SPRING DELIVERY VALVE     | RESSORT SOUPAPE FOURNITURE     |
| 5  | 13125007   | 3   | 13125007 | 4   | JUNTA VALVULA DESCARGA        | GASKET DELIVERY V         | JOINT SOUPAPE LIVRAISON        |
| 6  | 17225008   | 3   | 17225008 | 4   | VALVULA SUMINISTRO            | VALVE SUB ASSY            | SOUPAPE FOURNITURE             |
| 7  | 13425009   | 3   | 13425009 | 4   | ELEMENTO BOMBA                | ELEMENT ASSY PUMP         | ÉLÉMENT POMPE                  |
| 8  | 13125010   | 3   | 13125010 | 4   | MANGUITO MANDO PISTON         | SLEEVE                    | MANCHON                        |
| 9  | 13125011   | 3   | 13125011 | 4   | ASIENTO SUPERIOR MUELLE       | SEAT SPRING UPPER         | SIÈGE SUPÉRIEUR DU RESSORT     |
| 10   | 13125012   | 3   | 13125012 | 4   | MUELLE PISTON BOMBA           | SPRING PLUNGER            | RESSORT                        |
| 11   | 13125021   | 3   | 13125021 | 4   | SUBCONJUNTO DE EMPUJADOR      | TAPPET SUB ASSY           | SUBENSEMBLE DE POUSETEUR       |
| 12   | 17225006   | 1   | 17025006 | 1   | CREMALLERA MANDOS             | RACK ASSY, CONTROL        | CREMAILLIERE COMMANDES         |
| 13   | 13125013   | 3   | 13125013 | 4   | ASIENTO INFERIOR MUELLE       | SEAT SPRING LOWER         | SIÈGE INFÉRIEUR DU RESSORT     |
| 14   | 17225033   | 3   | 17225033 | 4   | ANILLO TORICO                 | O-RING                    | ANNEAU TORIQUE                 |
| 15   | 13125022   | 3   | 13125022 | 4   | PASADOR GUIA EMPUJADOR        | PIN TAPPET GUIDE          | GOUJON GUIDE                   |
| 16   | 13625023   | 1   | 13125023 | 2   | PLACA                         | PLATE                     | PLAQUE                         |
| 17   | 13125030   | 2   | 13125030 | 3   | CONJUNTO DE PLACA             | PLATE ASSY PRESSURE       | ENSEMBLE DE PLAQUE             |
| 18   | 17225028   | 2   | 17225028 | 3   | TORNILLO                      | BOLT, WITH WASHER         | VIS                            |
| 19   | 13125026   | 1   | 13125026 | 2   | TORNILLO DE RESPIRADERO       | SCREW AIR BRETATH         | VIS DE SNORKEL                 |
| 20   | 13125027   | 1   | 13225027 | 1   | TORNILLO SEGUIDOR             | SCREW HOLLOW              | VIS                            |
| 21   | 17225025   | 1   | 17225025 | 2   | ARANDELA                      | WASHER, PIPE UNION        | RONDELLE                       |
| 22   | 17225058   | 1   | 17325058 | 1   | PLACA                         | NAME PLATE                | PLAQUE                         |
| 23   | 13125003   | 2   | 13125003 | 2   | REMACHE                       | RIVET                     | RIVET                          |
| 24   | 13624003   | AR  | 13224003 | AR  | SUPLEMENTO DE AJUSTE T=0,2mm. | SHIM ADJUSTING T=0,2MM.   | SUPPLÉMENT DE RÉGLAGE T=0,2MM. |
| 25   | 13624004   | AR  | -        | -   | SUPLEMENTO DE AJUSTE T=0,3mm. | SHIM ADJUSTING T=0,3MM.   | SUPPLÉMENT DE RÉGLAGE T=0,3MM. |
| 26   | 13624005   | AR  | -        | -   | SUPLEMENTO DE AJUSTE T=0,4mm. | SHIM ADJUSTING T=0,4MM.   | SUPPLÉMENT DE RÉGLAGE T=0,4MM. |
| 27   | 17224006   | AR  | -        | -   | SUPLEMENTO DE AJUSTE T=0,5mm. | SHIM ADJUSTING T=0,5MM.   | SUPPLÉMENT DE RÉGLAGE T=0,5MM. |
| 28   | 17224007   | AR  | -        | -   | SUPLEMENTO DE AJUSTE T=0,6mm. | SHIM ADJUSTING T=0,6MM.   | SUPPLÉMENT DE RÉGLAGE T=0,6MM. |
| 29   | 17224008   | AR  | 13224008 | AR  | SUPLEMENTO DE AJUSTE T=0,7mm. | SHIM ADJUSTING T=0,7MM.   | SUPPLÉMENT DE RÉGLAGE T=0,7MM. |
| 30   | 13624009   | AR  | 13224009 | AR  | SUPLEMENTO DE AJUSTE T=0,8mm. | SHIM ADJUSTING T=0,8MM.   | SUPPLÉMENT DE RÉGLAGE T=0,8MM. |
| 31   | 17224010   | AR  | 13224010 | AR  | SUPLEMENTO DE AJUSTE T=0,9mm. | SHIM ADJUSTING T=0,9MM.   | SUPPLÉMENT DE RÉGLAGE T=0,9MM. |
| 32   | 17224011   | AR  | 13224011 | AR  | SUPLEMENTO DE AJUSTE T=1,0mm. | SHIM ADJUSTING T=1,0MM.   | SUPPLÉMENT DE RÉGLAGE T=1,0MM. |
| 33   | 17220059   | 4   | 17220059 | 6   | TORNILLO                      | BOLT                      | VIS                            |

|    |  |
|----|--|
| 1* | * NUMERO DE SERIE MAYOR O IGUAL A 129878           |
|    | * FROM OR EQUAL TO SERIAL NUMBER 129878 (INCLUDED) |
|    | * NUMERO DE SERIE PLUS GRANDE OR EGAL A 129878     |



| REGULADOR<br>GOVERNOR<br>REGULATEUR |          |     |          |     | MI33-44.23.0                   |                                |                                  |
|-------------------------------------|----------|-----|----------|-----|--------------------------------|--------------------------------|----------------------------------|
| FIG.                                | REF.     |     |          |     | DESCRIPCIÓN                    | DESCRIPTION                    | DÉSIGNATION                      |
|                                     | MINI-33  | QTY | MINI-44  | QTY |                                |                                |                                  |
| 1                                   | 17223000 | 1   | 17323000 | 1   | REGULADOR                      | CASE ASSY, GOVERNOR            | REGULATEUR                       |
| 2                                   | 17223009 | 1   | 17223009 | 1   | MUELLE PASADOR                 | PIN, SPRING                    | RESSORT GOUJON                   |
| 3                                   | 17223046 | 1   | 17223046 | 1   | JUNTA TORICA                   | O-RING                         | JOINT TORIQUE                    |
| 4                                   | 13123009 | 1   | 13123009 | 1   | PASADOR RANURADO               | PIN GROOVED                    | GOUJON                           |
| 5                                   | 17223032 | 2   | 17223032 | 2   | TUERCA                         | NUT                            | ECROU                            |
| 6                                   | 17223030 | 1   | 17223030 | 1   | TUERCA                         | NUT                            | ECROU                            |
| 7                                   | 53033008 | 1   | 53033008 | 1   | ARANDELA GROWER DIN 127-8      | WASHER GROWER DIN 127-8        | ROND.ÉLAST.GROWER DIN 127-8      |
| 8                                   | 17223017 | 1   | 17223017 | 1   | TORNILLO                       | BOLT                           | VIS                              |
| 9                                   | 17223044 | 1   | 17223044 | 1   | MUELLE REGULADOR               | SPRING, GOVERNOR               | RESSORT REGULATEUR               |
| 10                                  | 17223024 | 1   | 17223024 | 1   | CONJUNTO TORNILLOS             | SCREW ASSY                     | ENSEMBLE VIS                     |
| 11                                  | 17223035 | 1   | 17223035 | 1   | TUERCA                         | NUT                            | ECROU                            |
| 12                                  | 13823034 | 1   | 13823034 | 1   | JUEGO TORNILLO BASTIDOR(nuevo) | RACK SET SCREW (new)           | JEU VIS                          |
| 13                                  | 17223048 | 1   | 17323048 | 1   | PALANCA LATERAL                | LEVER TIE-ROD                  | PALANQUE LATERAL                 |
| 14                                  | 17223049 | 1   | 17323049 | 1   | MUELLE LATERAL                 | SPRING TIE-ROD                 | RESSORT LATERAL                  |
| 15                                  | 17223036 | 1   | 17223036 | 1   | TAPA REGULADOR                 | COVER, GOVERNOR                | COUVERCLE REGULATEUR             |
| 16                                  | 17223006 | 1   | 17223006 | 1   | EJE REGULADOR                  | SHAFT, GOVERNOR                | ARBRE REGULATEUR                 |
| 17                                  | 17223003 | 1   | 17223003 | 1   | PALANCA DEL REGULADOR          | LEVER, GOVERNOR                | PALANQUE DU REGULATEUR           |
| 18                                  | 17223028 | 1   | 17223028 | 1   | MUELLE                         | SPRING                         | RESSORT                          |
| 19                                  | 17223029 | 1   | 17223029 | 1   | CONJUNTO PALANCA               | LEVER ASSY                     | ENSEMBLE PALANQUE                |
| 20                                  | 17223025 | 1   | 17223025 | 1   | TORNILLO RALENTI               | BOLT, LOW IDLE SET             | VIS RALENTI                      |
| 21                                  | 17223008 | 1   | 17323008 | 1   | PALANCA MANDO GAS              | LEVER, SPEED                   | PALANQUE COMMANDE GAS            |
| 22                                  | 17223047 | 1   | 17223047 | 1   | SUP. AJUSTE EJE REGULADOR      | SHIM, GOVERNOR SHAFT           | SUP. DE REGLAGE ARBRE REGULATEUR |
| 23                                  | 17223007 | 1   | 17223007 | 1   | PALANCA DEL REGULADOR          | LEVER, GOVERNOR                | PALANQUE REGULATEUR              |
| 24                                  | 17223019 | 1   | 17223019 | 1   | CUERPO REGULADOR               | CASE, GOVERNOR                 | CARCASSE REGULATEUR              |
| 25                                  | 17223033 | 1   | 17223033 | 1   | JUNTA TAPA                     | GASKET, GOVERNOR CASE          | JOINT COUVERCLE                  |
| 26                                  | 17223050 | 1   | 17223050 | 1   | EJE DEL REGULADOR              | SHAFT, SLIDING SLEEVE          | ARBRE REGULATEUR                 |
| 27                                  | 17223031 | 1   | 17223031 | 1   | MANGUITO                       | SLEEVE, SLIDING                | MANCHON                          |
| 28                                  | 17223001 | 1   | 17223001 | 1   | CONJ. CONTRAPESO REGULADOR     | WEIGHT ASSY, GOVERNOR          | ENSEMBLE REGULATEUR              |
| 29                                  | 13123020 | 1   | 13123020 | 1   | OBTURADOR                      | WIRE                           | OBTURATEUR                       |
| 30                                  | 13123019 | 1   | 13123019 | 1   | ALAMBRE                        | METAL SEALING                  | FIL DE FER                       |
| 31                                  | 13823042 | 1   | 13823042 | 1   | TAPON                          | CAP TORQUE SET SE              | BOUCHON                          |
| 32                                  | 17220034 | 3   | 17220034 | 3   | TORNILLO                       | BOLT                           | VIS                              |
| 33                                  | 17223052 | 1   | 17223052 | 1   | TORNILLO JUNTA REGULADOR       | BOLT, GOVERNOR CASE            | VIS JOINT REGULATEUR             |
| 34                                  | 17223043 | 1   | 17223043 | 1   | TAPA LATERAL                   | COVER TIE-ROD                  | COUVERCLE LATERAL                |
| 35                                  | 13223014 | 1   | 13223014 | 1   | JUNTA TAPA                     | GASKET COVER                   | JOINT COUVERCLE                  |
| 36                                  | 13322074 | 4   | 13322074 | 4   | TORNILLO                       | BOLT                           | VIS                              |
| 37                                  | 13424025 | 1   | 13424025 | 1   | PARO ELECTRICO                 | SOLENOID                       | ARRET ÉLECTRIQUE                 |
| 39                                  | 17023030 | 1   | 17023030 | 1   | CAPUCHON GOMA                  | CAP GUM                        | CAPUCHON GOMME                   |
| 40                                  | 13425029 | 1   | 13425029 | 1   | TUERCA (antiguo)               | NUT (old)                      | ECROU (antique)                  |
| 41                                  | 15119015 | 1   | 15119015 | 1   | ROTULA CABLE                   | CABLE HOLDER BALL AND SOC.JOI. | ROTULE CABLE                     |
| 42                                  | 14419023 | 1   | 14419023 | 1   | ROTULA                         | BALL JOINT                     | ROTULE                           |
| 43                                  | 51030006 | 1   | 51030006 | 1   | ARANDELA ACERO DIN 125-6       | WASHER DIN 125-6               | RONDELLE                         |
| 44                                  | 52120006 | 1   | 52120006 | 1   | TUERCA DIN 934 M6 8.8 (C.10)   | NUT DIN 934 M6 8.8             | ECROU DIN 934 M6 8.8             |



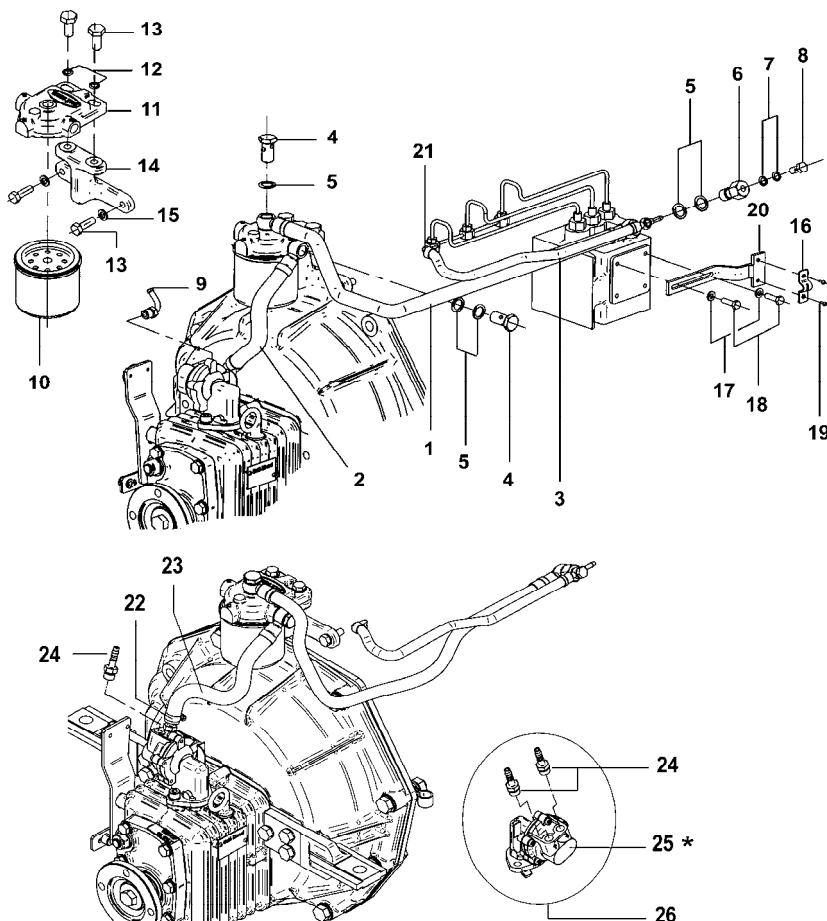
| FILTRO Y TUBOS DE COMBUSTIBLE<br>FUEL FILTER & PIPES<br>FILTRE ET TUYAUS À CARBURANT |          |     |          |     |                                  | MI33-44.24.1                |                             |
|--|----------|-----|----------|-----|----------------------------------|-----------------------------|-----------------------------|
| FIG.   | REF.     |     |          |     | DESCRIPCIÓN                      | DESCRIPTION                 | DÉSIGNATION                 |
|  | MINI-33  | QTY | MINI-44  | QTY |                                  |                             |                             |
| 1  | 17214017 | 1   | 17314017 | 1   | TUBO DE FILTRO A BOMBA INYECTORA | PIPE, FILTER TO INJEC. PUMP | TUYAU FILTRE A POMPE INJEC. |
| 2  | 17214016 | 1   | 17214016 | 1   | TUBO BOMBA ALIM. A FILTRO        | PIPE, PUMP TO FILTER        | TUYAU POMPE ALIM. FILTRE    |
| 3  | 17214018 | 1   | 17314018 | 1   | TUBO SOBRADERO                   | PIPE, FUEL RETURN           | TUYAU                       |
| 4  | 12814051 | 2   | 12814051 | 2   | TORNILLO HUECO                   | SCREW, eye                  | VIS CREUX                   |
| 5  | 57000369 | 6   | 57000369 | 6   | ARANDELA ALUMINIO 14-20-1,5      | WASHER 14,2-20-1,5          | RONDELLE                    |
| 6  | 13125027 | 1   | 17314021 | 1   | TORNILLO SEGUIDOR                | SCREW HOLLOW                | VIS                         |
| 7  | 57000353 | 2   | 57000353 | 2   | ARANDELA ALUMINIO 6,2-11-1,5     | WASHER 6,2-11-1,5           | RONDELLE                    |
| 8  | 13114007 | 1   | 13114007 | 1   | TORNILLO RACORD CORTO            | SCREW SHORT CONNECTOR       | VIS RACCORD COURT           |
| 9  | 13114003 | 1   | 13114003 | 1   | CODO ENTRADA                     | PIPE INLET                  | COUDE ENTRÉE                |
| 10   | 13114022 | 1   | 13114022 | 1   | ELEMENTO FILTRO GAS-OIL          | FILTER, element             | ÉLÉMENT FILTRE GAS-OIL      |
| 11   | 13114020 | 1   | 13114020 | 1   | TAPA FILTRO GAS-OIL              | COVER, filter               | COUVERCLE FILTRE GAS-OIL    |
| 12   | 52030008 | 2   | 52030008 | 2   | ARANDELA ACERO TRAT. DIN 125-8   | WASHER DIN 125              | RONDELLE DIN 125            |
| 13   | 52102258 | 2   | 52102258 | 2   | TORNILLO DIN 933 M8-25 8.8       | BOLT DIN 933 M8-25 8.8      | VIS DIN 933 M8-25 8.8       |
| 14   | 17214001 | 1   | 17214001 | 1   | SOPORTE FILTRO GAS-OIL           | BRACKET, GAS-OIL FILTER     | SUPPORT FILTRE GAS-OIL      |
| 15   | 53038008 | 2   | 53038008 | 2   | ARANDELA DIN 6798-A 8            | WASHER DIN 6798-A 8         | RONDELLE                    |
| 16   | 14719013 | 1   | 14719013 | 1   | BRIDA FIJACION CABLES            | CLAMP, cable                | BRIDE FIXATION CABLES       |
| 17   | 51030006 | 2   | 51030006 | 2   | ARANDELA ACERO DIN 125-6         | WASHER DIN 125-6            | RONDELLE                    |
| 18   | 52102157 | 2   | 52102157 | 2   | TORNILLO DIN 933 M6-20 8.8       | BOLT DIN 933 M6-20 8.8      | VIS DIN 933 M6-20 8.8       |
| 19   | 55307104 | 2   | 55307104 | 2   | TORNILLO DIN 86 W3/16-10 LATON   | BOLT DIN 86 W3/16-10        | VIS DIN 86 W3/16-10 LAITON  |
| 20*  | 17319001 | 1   | 17319002 | 1   | SOPORTE MORSE MOTOR              | BRACKET, ENGINE CONTROL     | SUPPORT MORSE MOTEUR        |
| 21   | 54081008 | 1   | 54081008 | 1   | ABRAZ. DIN 3017 8-16/9 W4        | CLAMP DIN 3017 8-16 W4      | COLLIER DIN 3017 8-16 W4    |
| 22   | 54081008 | 1   | 54081008 | 1   | ABRAZ. DIN 3017 8-16/9 W4        | CLAMP DIN 3017 8-16 W4      | COLLIER DIN 3017 8-16 W4    |
| 23*  | 13814010 | 1   | 13814010 | 1   | TUBO GAS-OIL                     | PIPE, FUEL                  | TUYAU GAS-OIL               |
| 24   | 13814006 | 2   | 13814006 | 2   | RACORD 1/2" UNF20                | RACORD 1/2" UNF20           | RACORD 1/2" UNF20           |
| 25   | 13114001 | 1   | 13414001 | 1   | BOMBA ALIMENTACION               | PUMP FUEL SUPPLY            | POMPE ALIMENTATION          |
| 26*  | 13814005 | 1   | 17314005 | 1   | CONJUNTO BOMBA ALIMENTACION      | PUMP ASSY, FUEL FEED        | ENSEMBLE POMPE ALIMENTATION |

20\*

NUEVO SOPORTE COMPATIBLE CON MANDOS DE CONTROL VETUS Y TELEFLEX  
NEW MORSE BRACKET COMPATIBLE WITH VETUS CONTROL LEVERS AND TELEFLEX  
SUPPORT NEUF COMPATIBLE AVEC VETUS ET LEVIERS DE COMMANDE TELEFLEX

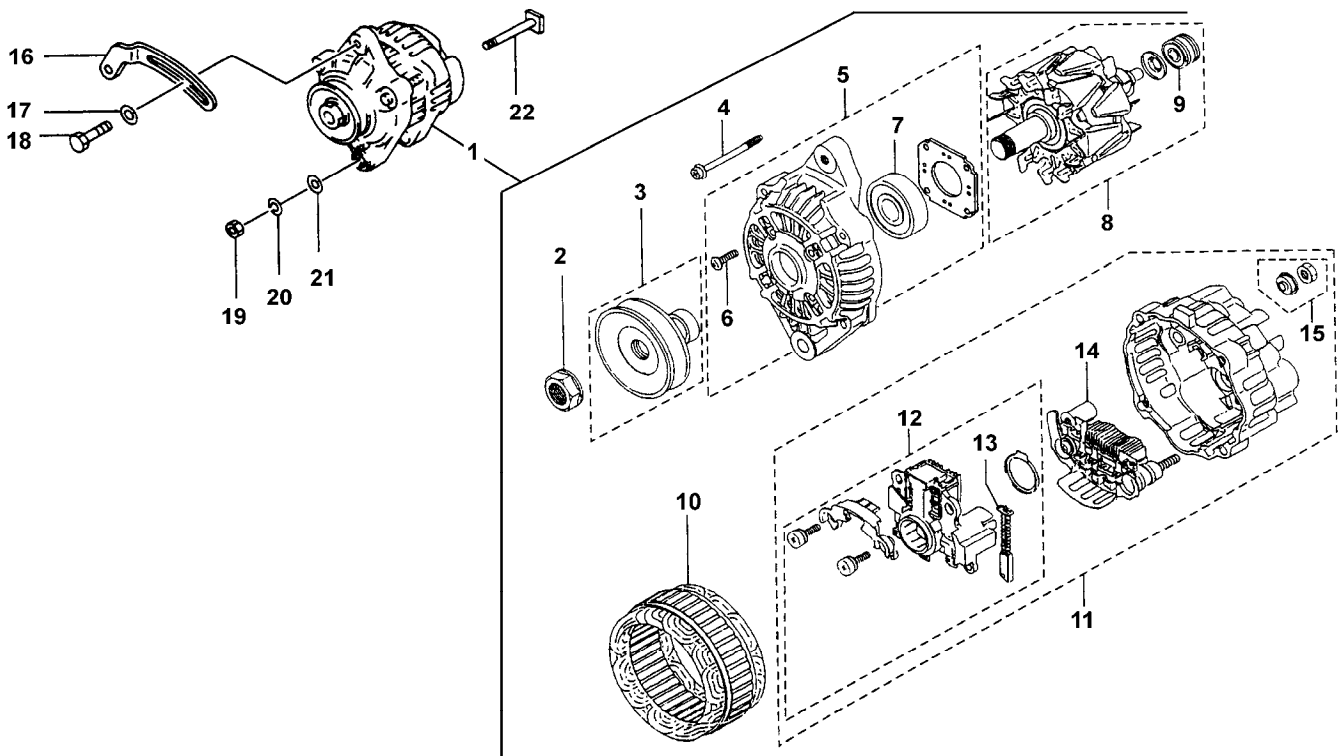
23\*-26\*

NUEVA BOMBA Y TUBO MONTADOS EN MOTORES PRODUCIDOS DESDE 07-2005. INTERCAMBIABLE EN CONJUNTO  
NEW PUMP AND PIPE, EQUIPPED IN ENGINES PRODUCED FROM 07-2005. INTERCHANGEABLE AS AN ASSEMBLY  
NOUVELLE POMPE ET TUYAU ÉQUIPÉES DANS DES MOTEURS A PRODUIT À PARTIR DE 07-2005. INTERCHANGEABLE COMME ENSEMBLÉ



| ALTERNADOR 12V 50A.<br>12V 50 AMP. ALTERNATOR<br>ALTERNATEUR 12V 50 AMP |          |     |          |     | MI33-44.25.0               |                          |                        |
|---|----------|-----|----------|-----|----------------------------|--------------------------|------------------------|
| FIG.  | REF.     |     |          |     | DESCRIPCIÓN                | DESCRIPTION              | DÉSIGNATION            |
|   | MINI-33  | QTY | MINI-44  | QTY |                            |                          |                        |
| 1   | 17227010 | 1   | 17227010 | 1   | ALTERNADOR                 | ALTERNATOR ASSY          | ALTERNATEUR            |
| 2   | 17127050 | 1   | 17127050 | 1   | TUERCA                     | NUT                      | ECROU                  |
| 3   | 13827252 | 1   | 13827252 | 1   | CONJUNTO POLEA             | PULLEY ASSY              | ENSEMBLE POLIE         |
| 4   | 17127053 | 1   | 17127053 | 1   | JUEGO DE TORNILLOS         | BOLT, set thru           | JEU DE VISESSES        |
| 5   | 17227054 | 1   | 17227054 | 1   | CONJUNTO SOPORTE DELANTERO | BRACKET ASSY, FRONT      | ENSEMBLE SUPPORT AVANT |
| 6   | 17127055 | 1   | 17127055 | 1   | CONJUNTO TORNILLOS         | SCREW, set               | ENSEMBLE VISESSES      |
| 7   | 17227056 | 1   | 17227056 | 1   | COJINETE DELANTERO         | BEARING, FRONT           | PALIER AVANT           |
| 8   | 17227057 | 1   | 17227057 | 1   | ROTOR                      | ROTOR ASSY               | ROTOR                  |
| 9   | 17127058 | 1   | 17127058 | 1   | COJINETE TRASERO           | BEARING, rear            | COULLINET ARRIÈRE      |
| 10  | 17227059 | 1   | 17227059 | 1   | ESTATOR                    | STATOR ASSY              | STATOR                 |
| 11  | 17227060 | 1   | 17227060 | 1   | SOPORTE TRASERO            | BRACKET ASSY, REAR       | SUPPORT ARRIERE        |
| 12  | 17127016 | 1   | 17127016 | 1   | REGULADOR                  | REGULATOR, set           | RÉGULATEUR             |
| 13  | 17127065 | 2   | 17127065 | 2   | ESCOBILLAS                 | BRUSH, set               | BALAIS                 |
| 14  | 17227067 | 1   | 17227067 | 1   | RECTIFICADOR               | RECTIFIER ASSY           | RECTIFIEUR             |
| 15  | 17227051 | 1   | 17227051 | 1   | JUEGO DE TUERCAS           | NUT SET                  | JEU DE ECROU           |
| 16  | 17227007 | 1   | 17227007 | 1   | SENSOR                     | PLATE                    | PLAQUE                 |
| 17  | 51031008 | 1   | 51031008 | 1   | ARANDELA ACERO DIN 9021 8  | WASHER DIN 9021 8        | RONDELLE               |
| 18  | 13827012 | 1   | 13827012 | 1   | TORNILLO                   | BOLT                     | VIS                    |
| 19  | 13127002 | 1   | 13127002 | 1   | TUERCA                     | NUT                      | ECROU                  |
| 20  | 53033010 | 1   | 53033010 | 1   | ARANDELA GROWER DIN 127-10 | WASHER GROWER DIN 127-10 | RONDELLE               |
| 21  | 51030010 | 1   | 51030010 | 1   | ARANDELA ACERO DIN 125-10  | WASHER DIN 125-10        | RONDELLE               |
| 22  | 17227070 | 1   | 17227070 | 1   | TORNILLO                   | BOLT, ALTERNATOR         | VIS                    |

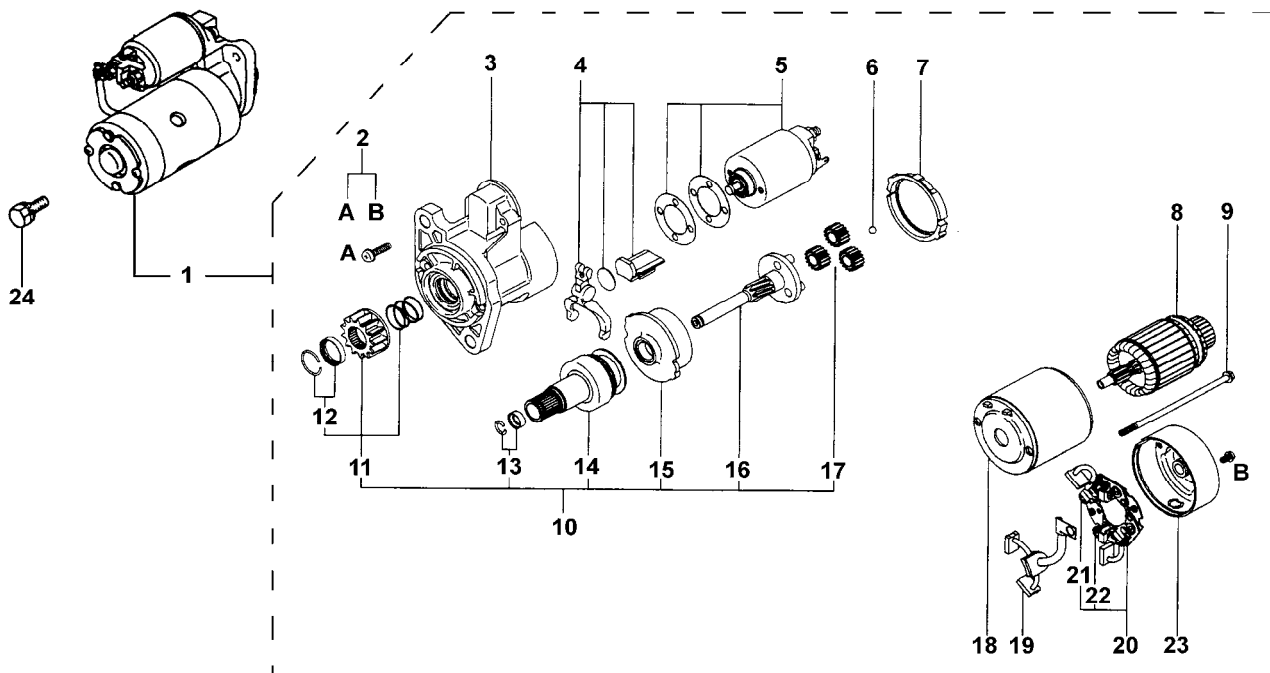
NOTA / COMMENTS: - VALIDO PARA VERSION GRUPO  
- AVAILABLE FOR GENSET VENSION



| MOTOR DE ARRANQUE 12V -1,7 KW (MINI-33 & MINI-44 *)    |          |     |           |     |                            |                     | MI33-44.26.0              |
|--|----------|-----|-----------|-----|----------------------------|---------------------|---------------------------|
| STARTER MOTOR 12V - 1,7 KW (MINI-33 & MINI-44 *)       |          |     |           |     |                            |                     |                           |
| MOTEUR DE DÉMARRAGE 12V - 1,7 KW (MINI-33 & MINI-44 *) |          |     |           |     |                            |                     |                           |
| FIG.   | REF.     |     |           |     | DESCRIPCIÓN                | DESCRIPTION         | DÉSIGNATION               |
|  | MINI-33  | QTY | MINI-44   | QTY |                            |                     |                           |
| 1  | 17227001 | 1   | 17227001* | 1*  | MOTOR DE ARRANQUE          | STARTER ASSY        | MOTEUR DE DEMARRAGE       |
| 2  | 13727201 | 1   | 13727201  | 1   | JUEGO DE TORNILLOS         | SCREW SET           | JEU DE VISSES             |
| 3  | 17227102 | 1   | 17227102  | 1   | CONJUNTO SOPORTE DELANTERO | BRACKET ASSY, FRONT | ENSEMBLE SUPPORT AVANT    |
| 4  | 17227103 | 1   | 17227103  | 1   | CONJUNTO PALANCA           | LEVER SET           | ENSEMBLE PALANQUE         |
| 5  | 17227106 | 1   | 17227106  | 1   | CONJUNTO INTERRUPTOR       | SWITCH ASSY         | ENSEMBLE INTERRUPTEUR     |
| 6  | 17227126 | 1   | 17227126  | 1   | BOLA                       | BALL                | BOULE                     |
| 7  | 17227127 | 1   | 17227127  | 1   | ANILLO                     | RING                | ANNEAU                    |
| 8  | 17227108 | 1   | 17227108  | 1   | CONJUNTO INDUCIDO          | ARMATURE SET        | ENSEMBLE INDUIT           |
| 9  | 17227107 | 1   | 17227107  | 1   | JUEGO DE TORNILLOS         | BOLT SET            | JEU VIS                   |
| 10   | 17227112 | 1   | 17227112  | 1   | CONJUNTO EJE EMBRAGUE      | SHAFT ASSY, CLUTCH  | ENSEMBLE ESSIEU EMBRAYAGE |
| 11   | 17227113 | 1   | 17227113  | 1   | CONJUNTO PIÑÓN             | PINION SET          | ENSEMBLE PIGNON           |
| 12   | 17227114 | 1   | 17227114  | 1   | ANILLO RETENCION           | STOPPER SET         | ANNEAU DE RETENTION       |
| 13   | 17227111 | 1   | 17227111  | 1   | ANILLO DE RETENCION        | STOPPER SET         | ANNEAU RETENTION          |
| 14   | 17227128 | 1   | 17227128  | 1   | CONJUNTO EJE PIÑÓN         | SHAFT ASSY, PINION  | ENSEMBLE ESSIEU PIGNON    |
| 15   | 17227117 | 1   | 17227117  | 1   | CONJUNTO RUEDA             | INTERNAL GEAR ASSY  | ENSEMBLE                  |
| 16   | 17227116 | 1   | 17227116  | 1   | CONJUNTO EJE               | SHAFT ASSY, GEAR    | ENSEMBLE ESSIEU           |
| 17   | 17227115 | 3   | 17227115  | 3   | CONJUNTO ENGRANAJE         | GEAR ASSY           | ENSEMBLE ENGRENAGE        |
| 18   | 17227119 | 1   | 17227119  | 1   | CONJUNTO CARCASA           | YOKE ASSY           | ENSEMBLE CARCASSE         |
| 19   | 17227125 | 2   | 17227125  | 2   | CONJUNTO ESCOBILLAS        | BRUSH ASSY          | ENSEMBLE BALAIS           |
| 20   | 17227120 | 1   | 17227120  | 1   | CONJUNTO PORTA ESCOBILLAS  | HOLDER ASSY, BRUSH  | ENSEMBLE PORTEBALAIS      |
| 21   | 17227121 | 2   | 17227121  | 2   | MUELLE ESCOBILLAS          | SPRING, BRUSH       | RESSORT BALAIS            |
| 22   | 17227124 | 2   | 17227124  | 2   | MUELLE ESCOBILLAS          | SPRING, BRUSH       | RESSORT BALAIS            |
| 23   | 17227122 | 1   | 17227122  | 1   | SOPORTE TRASERO            | BRACKET ASSY, REAR  | SUPPORT ARRIERE           |
| 24   | 17120062 | 2   | 17120062  | 2   | TORNILLO                   | BOLT,w/washer       | VIS                       |

\* NUMERO DE SERIE MAYOR O IGUAL A 92877  
\* FROM OR EQUAL TO SERIAL NUMBER 92877 (INCLUDED)  
\* NUMERO DE SERIE PLUS GRANDE OR EGAL A 92877

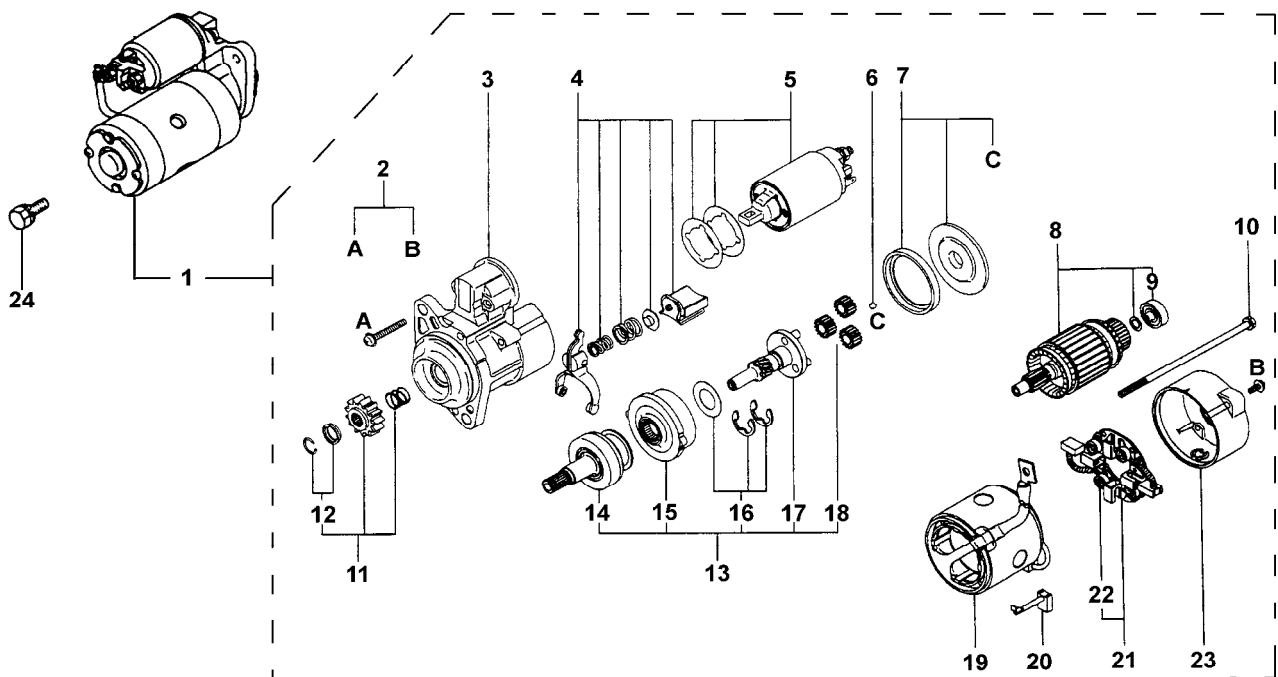
NOTA / COMMENTS: VALIDO PARA VERSION GRUPO / AVAILABLE FOR GENSET VENSION  
VER ETIQUETA PARA CARACTERISTICAS / CHECK THE SPECIFICATIONS LABEL



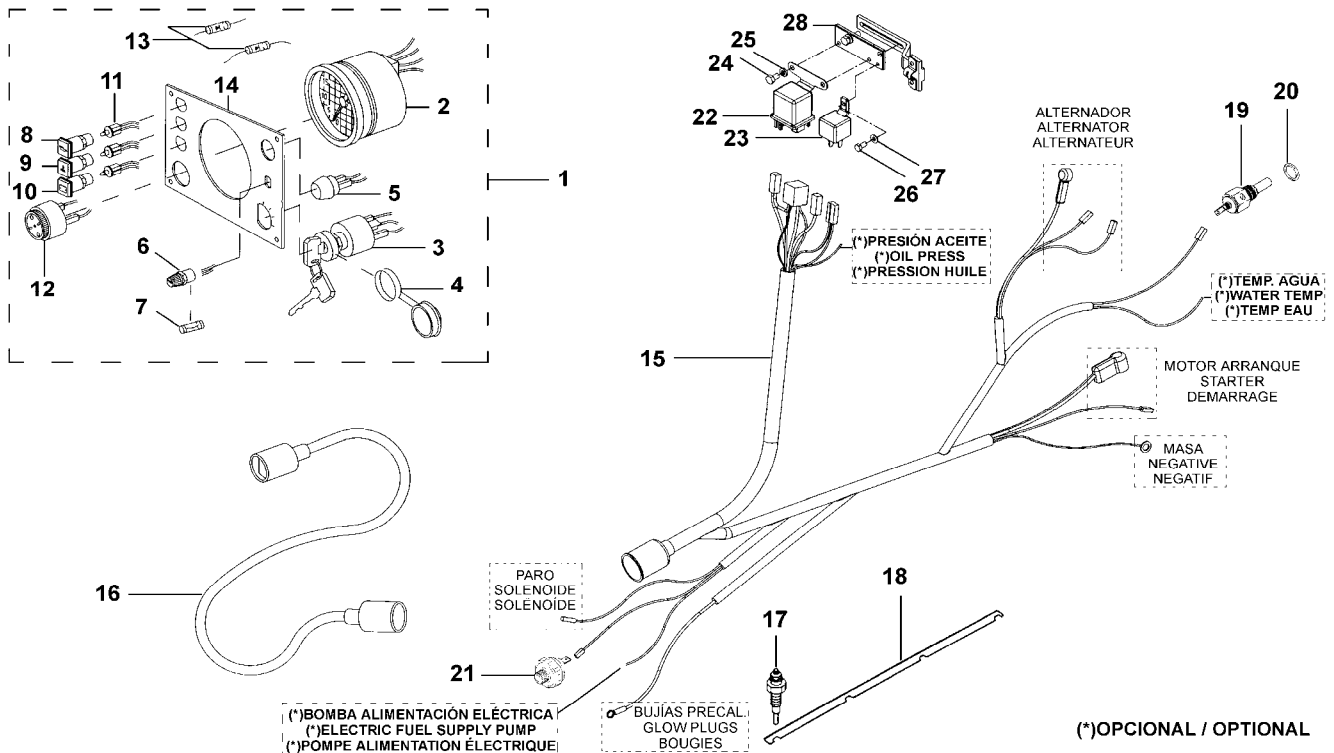
| MOTOR DE ARRANQUE 12V - 2 KW (MINI 44 *)   |         |     |          |     |                            |                      | MI33-44.27.0              |
|--|---------|-----|----------|-----|----------------------------|----------------------|---------------------------|
| STARTER MOTOR 12V - 2 KW (MINI 44 *)       |         |     |          |     |                            |                      |                           |
| MOTEUR DE DÉMARRAGE 12V - 2 KW (MINI 44 *) |         |     |          |     |                            |                      |                           |
| FIG.                                       | REF.    |     |          |     | DESCRIPCIÓN                | DESCRIPTION          | DÉSIGNATION               |
|  | MINI-33 | QTY | MINI-44  | QTY |                            |                      |                           |
| 1*   | -       | -   | 17327001 | 1   | MOTOR DE ARRANQUE          | STARTER ASSY         | MOTEUR DE DEMARRAGE       |
| 2  | -       | -   | 17327101 | 1   | JUEGO DE TORNILLOS         | SCREW SET            | JEU DE VIS                |
| 3  | -       | -   | 17327102 | 1   | CONJUNTO SOPORTE DELANTERO | BRACKET ASSY, FRONT  | ENSEMBLE SUPPORT AVANT    |
| 4  | -       | -   | 17327103 | 1   | CONJUNTO PALANCA           | LEVER ASSY           | ENSEMBLE PALANQUE         |
| 5  | -       | -   | 17327106 | 1   | CONJUNTO INTERRUPTOR       | SWITCH ASSY          | ENSEMBLE INTERRUPTEUR     |
| 6  | -       | -   | 17227126 | 1   | BOLA                       | BALL                 | BOULE                     |
| 7  | -       | -   | 17327127 | 1   | ANILLO                     | RING                 | ANNEAU                    |
| 8  | -       | -   | 17327108 | 1   | CONJUNTO INDUCIDO          | ARMATURE ASSY        | ENSEMBLE INDUIT           |
| 9  | -       | -   | 17327110 | 1   | RODAMIENTO                 | BEARING              | ROULEMENT                 |
| 10   | -       | -   | 17127101 | 1   | CONJUNTO TORNILLOS         | BOLT SET             | ENSEMBLE VISSES           |
| 11   | -       | -   | 17327113 | 1   | CONJUNTO PIÑÓN             | PINION SET           | ENSEMBLE PIGNON           |
| 12   | -       | -   | 13427114 | 1   | ANILLO RETENCION           | STOPPER              | ANNEAU                    |
| 13   | -       | -   | 17327112 | 1   | CONJUNTO EJE EMBRAGUE      | SHAFT ASSY, CLUTCH   | ENSEMBLE ESSIEU EMBRAYAGE |
| 14   | -       | -   | 17327128 | 1   | CONJUNTO EJE PIÑÓN         | CLUTCH, OVER RUNNING | ENSEMBLE ESSIEU PIGNON    |
| 15   | -       | -   | 17327117 | 1   | CONJUNTO RUEDA             | GEAR ASSY, INTERNAL  | ENSEMBLE ROUE             |
| 16   | -       | -   | 17327123 | 1   | JUEGO ARANDELAS            | WASHER SET           | JEU RONDELLES             |
| 17   | -       | -   | 17327116 | 1   | CONJUNTO EJE               | SHAFT ASSY, GEAR     | ENSEMBLE ESSIEU           |
| 18   | -       | -   | 17227115 | 3   | CONJUNTO ENGRANAJE         | GEAR ASSY            | ENSEMBLE ENGRENAGE        |
| 19   | -       | -   | 17327119 | 1   | CONJUNTO CARCASA           | YOKE ASSY            | ENSEMBLE CARCASSE         |
| 20   | -       | -   | 17327125 | 2   | ESCOBILLA                  | BRUSH                | BALAIS                    |
| 21   | -       | -   | 17327120 | 1   | CONJUNTO PORTA ESCOBILLAS  | HOLDER ASSY, BRUSH   | ENSEMBLE PORTEBALAIS      |
| 22   | -       | -   | 17327124 | 4   | MUELLE ESCOBILLAS          | SPRING, BRUSH        | RESSORT BALAIS            |
| 23   | -       | -   | 17327122 | 1   | SOPORTE TRASERO            | BRACKET ASSY, REAR   | SUPPORT ARRIERE           |
| 24   | -       | -   | 17120062 | 2   | TORNILLO                   | BOLT,w/washer        | VIS                       |

\* NUMERO DE SERIE HASTA 92877  
\* FROM OR EQUAL UP TO 92877  
\* NUMERO DE SERIE INFÉRIEUR A 92877

NOTA / COMMENTS: VALIDO PARA VERSION GRUPO / AVAILABLE FOR GENSET VENSION  
VER ETIQUETA PARA CARACTERISTICAS / CHECK THE SPECIFICATIONS LABEL



| INSTALACIÓN ELECTRICA<br>ELECTRICAL EQUIPMENT<br>EQUIPEMENT ELECTRIQUE |            |     |            |     | ANTIGUA-OLD-ANCIENNE              | MI33-44.28.0                   |                                    |
|--|------------|-----|------------|-----|-----------------------------------|--------------------------------|------------------------------------|
| FIG.   | REF.       |     |            |     | DESCRIPCIÓN                       | DESCRIPTION                    | DÉSIGNATION                        |
|  | MINI-33    | QTY | MINI-44    | QTY |                                   |                                |                                    |
| 1  | 60934000R  | 1   | 60934000R  | 1   | CUADRO ELECTRICO MINI-33/34/44    | ELECTRICAL PANEL MINI-33/34/44 | TABEAU ÉLECTRIQUE MINI-33/34/44    |
| 2  | 60934710   | 1   | 60934710   | 1   | CUENTA REVOLUCIONES MINI-33/34/44 | TACHOMETER MINI-33/34/44       | COMPTEUR REVOLUTIONS MINI-33/34/44 |
| 3  | 60900031   | 1   | 60900031   | 1   | LLAVE CONTACTO PRECALEN.4 POS.    | KEY-LOCKING SWITCH             | CLÉ CONTACT                        |
| 4  | 60900035   | 1   | 60900035   | 1   | PROTECTOR LLAVE CONTACTO          | COVER,key                      | PROTECTEUR CLÉ CONTACT             |
| 5  | 60900040   | 1   | 60900040   | 1   | PULSADOR DE PARO                  | SWITCH, stop                   | POUSOIR D'ARRET                    |
| 6  | 60900121   | 1   | 60900121   | 1   | PORTAFUSIBLES CUADRO              | FUSEHOLDER, panel              | PORTE-FUSIBLES TABLEAU             |
| 7  | 60900118   | 1   | 60900118   | 1   | FUSIBLE 10 A. CRISTAL             | FUSE 10 A.                     | FUSIBLE 10 A.                      |
| 8  | 60900050A  | 1   | 60900050A  | 1   | LAMPARA CONTROL PRESSION ACEITE   | LAMP, oil press.               | TÉRMOIN CONTROLE                   |
| 9  | 60900052A  | 1   | 60900052A  | 1   | LAMPARA CONTROL TEMPERAT.AGUA     | LAMP, water temp.              | TÉRMOIN CONTROLE                   |
| 10   | 60900051A  | 1   | 60900051A  | 1   | LAMPARA CONTROL CARGA BATERIA     | LAMP, charge                   | TÉRMOIN CONTROLE                   |
| 11   | 60900045A  | 3   | 60900045A  | 3   | LAMPARA DE 12V 3W                 | BULB 12V 3W                    | TÉRMOIN 12V 3W                     |
| 12   | 60900060   | 1   | 60900060   | 1   | ALARMA                            | ALARM, SWITCH                  | ALARME                             |
| 13   | 60900110   | 2   | 60900110   | 2   | DIODO 3 A.                        | DIODE 3 A.                     | DIODE 3 A.                         |
| 14   | 60938001   | 1   | 60938001   | 1   | TABLERO                           | PANEL                          | TABEAU                             |
| 15   | 60972200R  | 1   | 60972200R  | 1   | INSTALACION ELECTRICA             | ELECTRICAL WIRING              | INSTALLATION ELECTRIQUE            |
| 16   | 60938210   | 1   | 60938210   | 1   | ALARGO 3 m                        | HARNESS EXTENSION 3 M          | RALLONGE 3 M                       |
| 17   | 17127017   | 3   | 17127017   | 4   | BUJIA PRECALENTAMIENTO            | PLUG, glow                     | BOUGIE                             |
| 18   | 17227018   | 1   | 17327018   | 1   | PLACA                             | PLATE                          | PLAQUE                             |
| 19   | 60900070   | 1   | 60900070   | 1   | TERMOCONTACTO 97°C                | THERMO-SWITCH                  | THERMOCONTACT                      |
| 20   | 56000073   | 1   | 56000073   | 1   | ARANDELA COBRE 16-23-1,5          | WASHER 16-23-1,5               | RONDELLE                           |
| 21   | 17127027   | 1   | 17127027   | 1   | MANOCONTACTO                      | SWITCH, oil pressure           | MAINCONTACT                        |
| 22   | 13827005   | 1   | 13827005   | 1   | RELE BUJIAS                       | GLOW RELAY                     | RELAIS BOUGIES                     |
| 23   | 18517005.1 | 1   | 18517005.1 | 1   | RELE 12-6V                        | RELAY 12-6V                    | RELAIS 12-6V                       |
| 24   | 54102154   | 2   | 54102154   | 2   | TORNILLO DIN 933 M6-10 INOX.      | BOLT DIN 933 M6-10 INOX        | VIS DIN 933 M6-10 INOX             |
| 25   | 53033006   | 2   | 53033006   | 2   | ARANDELA GROWER DIN 127-6         | WASHER GROWER DIN 127-6        | RONDELLE                           |
| 26   | 52102104   | 1   | 52102104   | 1   | TORNILLO DIN 933 M5-10 8.8        | BOLT DIN 933 M5-10 8.8         | VIS DIN 933 M5-10 8.8              |
| 27   | 51030005   | 1   | 51030005   | 1   | ARANDELA ACERO DIN 125-5          | WASHER DIN 125-5               | RONDELLE                           |
| 28   | 17217001   | 1   | 17217001   | 1   | SOPORTE RELE                      | SUPPORT, RELAY                 | SUPPORT RELAIS                     |





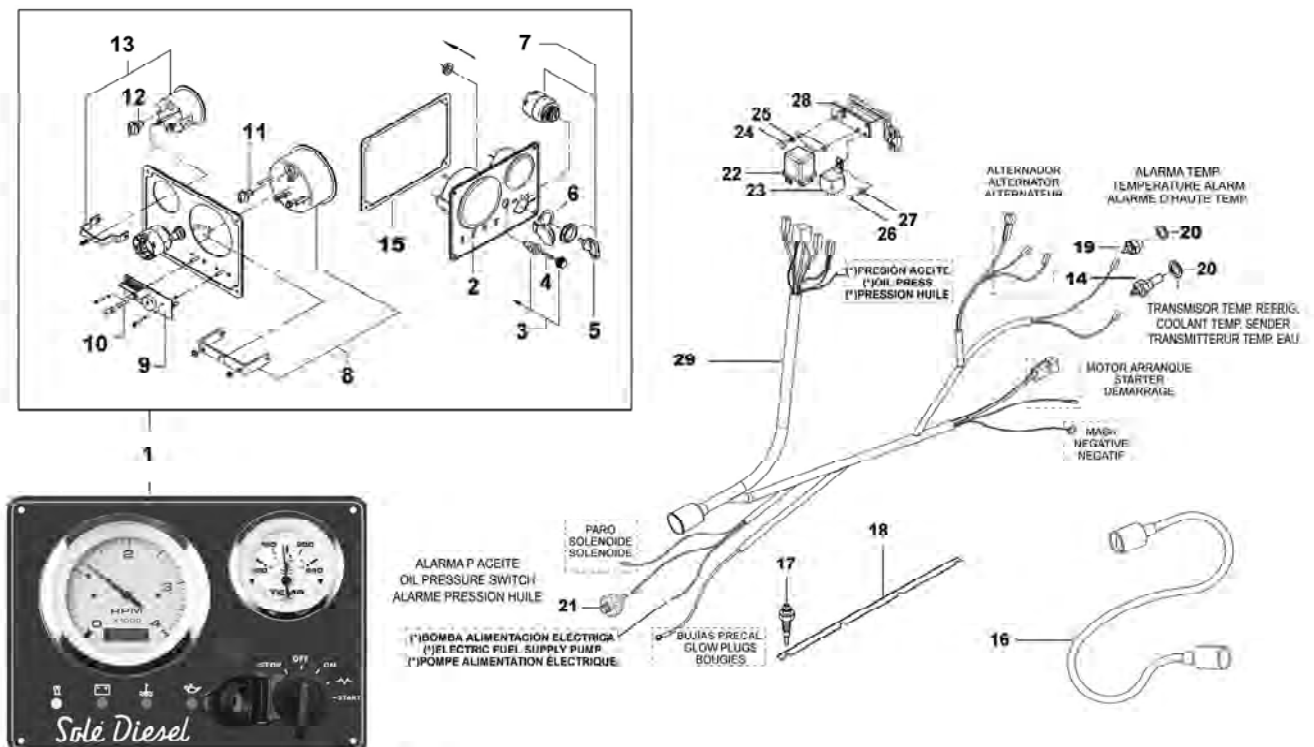
| INSTALACIÓN ELECTRICA<br>ELECTRICAL EQUIPMENT<br>EQUIPEMENT ELECTRIQUE |            |     |            |     | NUEVA - NEW - NEUVE                  | MI33-44.29.1             |                          |
|--|------------|-----|------------|-----|--------------------------------------|--------------------------|--------------------------|
| FIG.   | REF.       |     |            |     | DESCRIPCIÓN                          | DESCRIPTION              | DÉSIGNATION              |
|  | MINI-33    | QTY | MINI-44    | QTY |                                      |                          |                          |
| 1  | 60972125   | 1   | 60972125   | 1   | CUADRO ELECTRICO MINI-33/44/55       | ELECTRICAL PANEL         | TABEAU MOTEUR            |
| 2  | 60938005   | 1   | 60938005   | 1   | TABLERO N.2                          | PANEL                    | TABEAU                   |
| 3  | 60900121   | 1   | 60900121   | 1   | PORTAFUSIBLES CUADRO                 | FUSEHOLDER, panel        | PORTE-FUSIBLES TABLEAU   |
| 4  | 60900118   | 1   | 60900118   | 1   | FUSIBLE 10 A. CRISTAL                | FUSE 10 A.               | FUSIBLE 10 A.            |
| 5  | 60900036   | 1   | 60900036   | 1   | LLAVE RECAMBIO                       | KEY,STARTER SWITCH       | CLÉ RECHANGE             |
| 6  | 60900038   | 1   | 60900038   | 1   | PROTECTOR LLAVE CONTACTO             | COVER,KEY                | PROTECTEUR CLÉ CONTACT   |
| 7  | 60900037   | 1   | 60900037   | 1   | LLAVE CONTACTO 5 POSICIONES          | KEY-LOCKING              | CLÉ CONTACT              |
| 8  | 60972910   | 1   | 60972910   | 1   | CUENTA REVOLUCIONES                  | TACHOMETER               | COMPTEUR REVOLUTIONS     |
| 9  | 60900301   | 1   | 60900301   | 1   | PLACA C.I.MOTOR PROPULSOR 12V        | INTEGRATED CIRCUIT PLATE | PLAQUE CIRCUIT INTÉGRÉ   |
| 10   | 60900119   | 1   | 60900119   | 1   | FUSIBLE 0,5A                         | FUSE 0.5A                | FUSIBLE 0.5A             |
| 11   | 60900929   | 1   | 60900929   | 1   | LAMPARA 12V.                         | BULB 12V                 | TÉRMOIN 12V              |
| 12   | 60900929   | 1   | 60900929   | 1   | LAMPARA 12V.                         | BULB 12V                 | TÉRMOIN 12V              |
| 13   | 60900915   | 1   | 60900915   | 1   | TERMOMETRO 12 V                      | WATER GAUGE 12 V         | THERMOMÈTRE 12 V         |
| 14   | 60900980   | 1   | 60900980   | 1   | TRANSMISOR TEMP.5/8"-UNF-2A/6,3 fast | TEMPERATURE SENSOR       | TRANSMETTEUR TEMPÉRATURE |
| 15   | 60938006   | 1   | 60938006   | 1   | JUNTA TABLERO N.2 y 4                | GASKET PANEL             | JOINT TABLEAU            |
| 16*  | 60938210   | 1*  | 60938210   | 1*  | ALARGO 3 m                           | HARNESS EXTENSION 3 M    | RALLONGE 3 M             |
| 17   | 17127017   | 1   | 17127017   | 1   | BUJIA PRECALENTAMIENTO               | PLUG, glow               | BOUGIE                   |
| 18   | 17227018   | 1   | 17227018   | 1   | PLACA                                | PLATE                    | PLAQUE                   |
| 19   | 60900070   | 1   | 60900070   | 1   | TERMOCONTACTO 97°C                   | THERMO-SWITCH            | THERMOCONTACT            |
| 20   | 56000073   | 2   | 56000073   | 2   | ARANDELA COBRE 16-23-1,5             | WASHER 16-23-1,5         | RONDELLE                 |
| 21   | 17127027   | 1   | 17127027   | 1   | MANOCONTACTO                         | SWITCH, oil pressure     | MAINCONTACT              |
| 22   | 13827005   | 1   | 13827005   | 1   | RELE BUJIAS                          | GLOW RELAY               | RELAIS BOUGIES           |
| 23   | 18517005.1 | 1   | 18517005.1 | 1   | RELE 12-6V                           | RELAY 12-6V              | RELAIS 12-6V             |
| 24   | 54102154   | 2   | 54102154   | 2   | TORNILLO DIN 933 M6-10 INOX.         | BOLT DIN 933 M6-10 INOX  | VIS DIN 933 M6-10 INOX   |
| 25   | 53033006   | 2   | 53033006   | 2   | ARANDELA GROWER DIN 127-6            | WASHER GROWER DIN 127-6  | RONDELLE                 |
| 26   | 52102104   | 1   | 52102104   | 1   | TORNILLO DIN 933 M5-10 8.8           | BOLT DIN 933 M5-10 8.8   | VIS DIN 933 M5-10 8.8    |
| 27   | 51030005   | 1   | 51030005   | 1   | ARANDELA ACERO DIN 125-5             | WASHER DIN 125-5         | RONDELLE                 |
| 28   | 17217001   | 1   | 17217001   | 1   | SOPORTE RELE                         | SUPPORT, RELAY           | SUPPORT RELAIS           |
| 29   | 60972200R  | 1   | 60972200R  | 1   | INSTALACION ELECTRICA                | ELECTRICAL WIRING        | INSTALLATION ELECTRIQUE  |

16\*

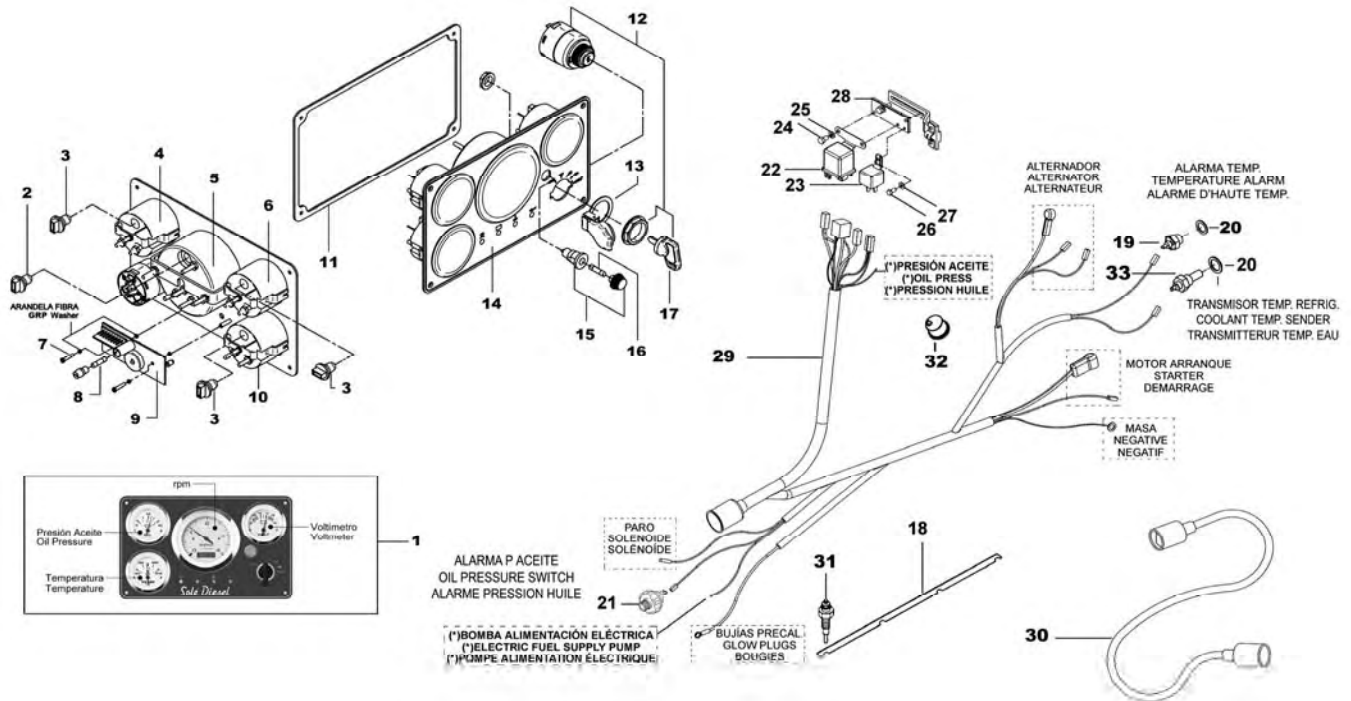
OPCIONAL

OPTIONAL

OPTIONEL



| INSTALACIÓN ELECTRICA<br>ELECTRICAL EQUIPMENT<br>EQUIPEMENT ELECTRIQUE |            |     |            |     | DELUXE                             | MI33-44.29A.0            |                         |
|--|------------|-----|------------|-----|------------------------------------|--------------------------|-------------------------|
| FIG.   | REF.       |     |            |     | DESCRIPCIÓN                        | DESCRIPTION              | DÉSIGNATION             |
|  | MINI-33    | QTY | MINI-44    | QTY |                                    |                          |                         |
| 1  | 60972127   | 1   | 60972127   | 1   | CUADRO ELECTRICO DELUXE            | ELECTRICAL DELUXE PANEL  | TABEAU MOTEUR DELUXE    |
| 2  | 60900929   | 1   | 60900929   | 1   | LAMPARA 12V.                       | BULB 12V                 | TÉRMOIN 12V             |
| 3  | 60900929   | 3   | 60900929   | 3   | LAMPARA 12V.                       | BULB 12V                 | TÉRMOIN 12V             |
| 4  | 60900925   | 1   | 60900925   | 1   | VOLTIMETRO 12 V                    | VOLTMETER 12 V           | VOLTMÈTRE 12 V          |
| 5  | 60972910   | 1   | 60972910   | 1   | CUENTA REVOLUCIONES                | TACHOMETER               | COMPTEUR REVOLUTIONS    |
| 6  | 60900920   | 1   | 60900920   | 1   | MANOMETRO 12 V                     | OIL PRESSURE GAUGE 12 V  | MAINMETRE 12 V          |
| 7  | 54108003   | 1   | 54108003   | 1   | TORNILLO DIN 84 M3-8 INOX.         | BOLT DIN 84 M3-8 INOX.   | VIS DIN 84 M3-8 INOX.   |
| 8  | 60900119   | 1   | 60900119   | 1   | FUSIBLE 0,5A                       | FUSE 0.5A                | FUSIBLE 0.5A            |
| 9  | 60900301   | 1   | 60900301   | 1   | PLACA C.I.MOTOR PROPULSOR 12V      | INTEGRATED CIRCUIT PLATE | PLAQUE CIRCUIT INTÉGRÉ  |
| 10   | 60900915   | 1   | 60900915   | 1   | TERMOMETRO 12 V                    | WATER GAUGE 12 V         | THERMOMÈTRE 12 V        |
| 11   | 60990006   | 1   | 60990006   | 1   | JUNTA TABLERO                      | GASKET PANEL             | JOINT TABLEAU           |
| 12   | 60900037   | 1   | 60900037   | 1   | LLAVE CONTACTO 5 POSICIONES        | KEY-LOCKING              | CLÉ CONTACT             |
| 13   | 60900038   | 1   | 60900038   | 1   | PROTECTOR LLAVE CONTACTO           | COVER,KEY                | PROTECTEUR CLÉ CONTACT  |
| 14   | 60990005   | 1   | 60990005   | 1   | TABLERO                            | PANEL                    | TABEAU                  |
| 15   | 60900121   | 1   | 60900121   | 1   | PORTAFUSIBLES CUADRO               | FUSEHOLDER, panel        | PORTE-FUSIBLES TABLEAU  |
| 16   | 60900118   | 1   | 60900118   | 1   | FUSIBLE 10 A. CRISTAL              | FUSE 10 A.               | FUSIBLE 10 A.           |
| 17   | 60900036   | 1   | 60900036   | 1   | LLAVE RECAMBIO                     | KEY,STARTER SWITCH       | CLÉ RECHANGE            |
| 18   | 17227018   | 1   | 17227018   | 1   | PLACA                              | PLATE                    | PLAQUE                  |
| 19   | 60900070   | 1   | 60900070   | 1   | TERMOCONTACTO 97°C                 | THERMO-SWITCH            | THERMOCONTACT           |
| 20   | 56000073   | 2   | 56000073   | 2   | ARANDELA COBRE 16-23-1,5           | WASHER 16-23-1,5         | RONDELLE                |
| 21   | 17127027   | 1   | 17127027   | 1   | MANOCONTACTO                       | SWITCH, oil pressure     | MAINCONTACT             |
| 22   | 13827005   | 1   | 13827005   | 1   | RELE BUJIAS                        | GLOW RELAY               | RELAIS BOUGIES          |
| 23   | 18517005.1 | 1   | 18517005.1 | 1   | RELE 12-6V                         | RELAY 12-6V              | RELAIS 12-6V            |
| 24   | 54102154   | 2   | 54102154   | 2   | TORNILLO DIN 933 M6-10 INOX.       | BOLT DIN 933 M6-10 INOX  | VIS DIN 933 M6-10 INOX  |
| 25   | 53033006   | 2   | 53033006   | 2   | ARANDELA GROWER DIN 127-6          | WASHER GROWER DIN 127-6  | RONDELLE                |
| 26   | 52102104   | 1   | 52102104   | 1   | TORNILLO DIN 933 M5-10 8.8         | BOLT DIN 933 M5-10 8.8   | VIS DIN 933 M5-10 8.8   |
| 27   | 51030005   | 1   | 51030005   | 1   | ARANDELA ACERO DIN 125-5           | WASHER DIN 125-5         | RONDELLE                |
| 28   | 17217001   | 1   | 17217001   | 1   | SOPORTE RELE                       | SUPPORT, RELAY           | SUPPORT RELAIS          |
| 29   | 60972200R  | 1   | 60972200R  | 1   | INSTALACION ELECTRICA              | ELECTRICAL WIRING        | INSTALLATION ELECTRIQUE |
| 30   | 60938210   | 1   | 60938210   | 1   | ALARGO 3 m                         | HARNESS EXTENSION 3 M    | RALLONGE 3 M            |
| 31   | 17127017   | 3   | 17127017   | 4   | BUJIA PRECALENTAMIENTO             | PLUG, glow               | BOUGIE                  |
| 32   | 60900985   | 1   | 60900985   | 1   | TRANSMISOR PRESION M10x1T/1-pin M4 | PRESSURE SENSOR          | MAIN-RÉSISTANCE         |
| 33   | 60900980   | 1   | 60900980   | 1   | INSTALACION ELECTRICA              | ELECTRICAL WIRING        | INSTALLATION ELECTRIQUE |

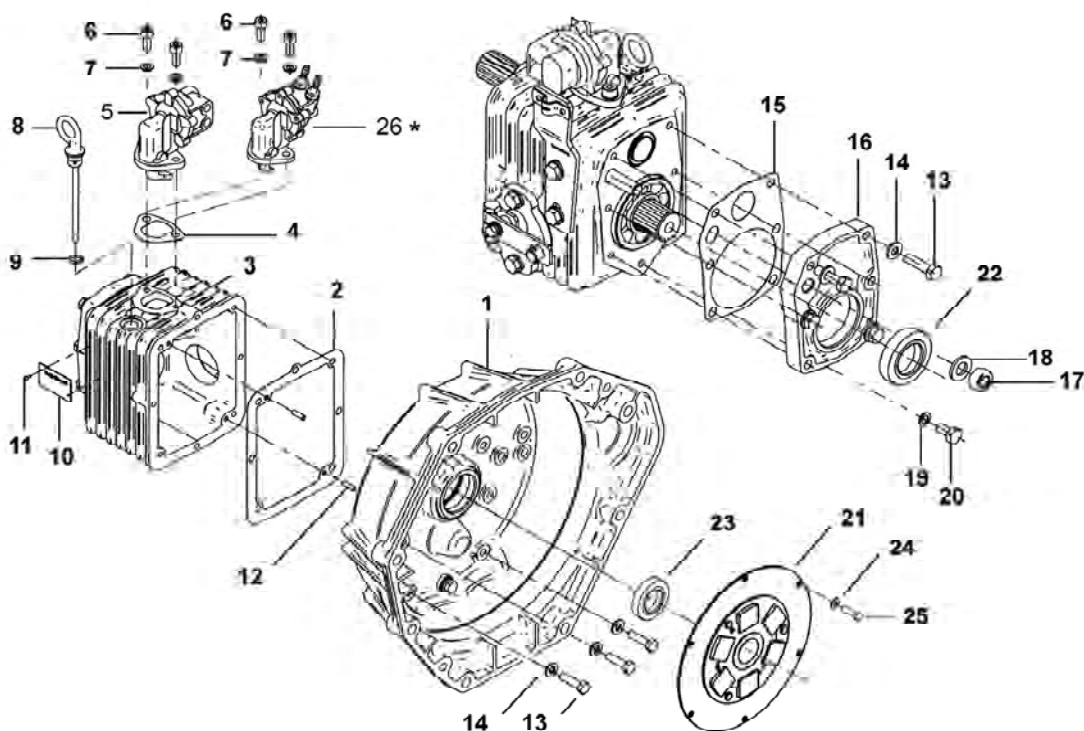


| CUERPO INVERSOR RONIM-V (MINI-33)<br>RONIM-V GEARBOX BODY (MINI-33)<br>CORPS INVERSEUR RONIM-V (MINI - 33) |          |     |         |     | ( RONIM-V)                      | MI33-44.30.2                      |                               |
|--|----------|-----|---------|-----|---------------------------------|-----------------------------------|-------------------------------|
| FIG.   | REF.     |     |         |     | DESCRIPCIÓN                     | DESCRIPTION                       | DÉSIGNATION                   |
|  | MINI-33  | QTY | MINI-44 | QTY |                                 |                                   |                               |
| -  | 22513100 | 1   | -       | -   | INV.RONIM-5 R.2.25:1 MINI-33/34 | GEAR BOX RONIM-5 R:2.25:1 M-33/34 | INVERS.RONIM-5 R:2.25:1       |
| 1  | 22510020 | 1   | -       | -   | CUERPO ANTERIOR                 | HOUSING, front                    | CORP ANTÉRIEUR                |
| 2  | 22510003 | 1   | -       | -   | JUNTA CENTRAL                   | GASKET                            | JOINT CENTRAL                 |
| 3  | 22513002 | 1   | -       | -   | CUERPO POSTERIOR RED.2:1        | HOUSING, rear red.2:1             | CORP POSTERIEUR RED.2:1       |
| 4  | 13114002 | 1   | -       | -   | JUNTA                           | GASKET                            | JOINT                         |
| 5  | 13114001 | 1   | -       | -   | BOMBA ALIMENTACION              | PUMP FUEL SUPPLY                  | POMPE ALIMENTATION            |
| 6  | 52103257 | 2   | -       | -   | TORNILLO DIN 912 M8-20 8.8      | BOLT DIN 912 M8-20 8.8            | VIS DIN 912 M8-20 8.8         |
| 7  | 53038008 | 2   | -       | -   | ARANDELA DIN 6798-A 8           | WASHER DIN 6798-A 8               | RONDELLE                      |
| 8  | 22310008 | 1   | -       | -   | TAPON LLENADO NIVEL ACEITE      | PLUG,oil level                    | BOUCHON REMPLIS.NIVEAU HUILE  |
| 8*   | 22510009 | 1   | -       | -   | TAPON LLENADO NIVEL ACEITE      | PLUG, OIL LEVEL                   | BOUCHON NIVEAU HUILE          |
| 9  | 25210010 | 1   | -       | -   | JUNTA TORICA                    | O-RING 10-15-2,5                  | JOINT TORIQUE 10-15-2,5       |
| 10   | 22510004 | 1   | -       | -   | PLACA IDENTIFICACION            | PLATE,identification              | PLAQUE IDENTIFICATION         |
| 11   | 17111061 | 2   | -       | -   | TORNILLO FIJACION PLACA 2,2     | BOLT                              | VIS                           |
| 12   | 22210007 | 2   | -       | -   | PASADOR DE CENTRAJE             | PIN                               | GOUJON                        |
| 13   | 53102259 | 14  | -       | -   | TORNILLO DIN 933 M8-30 12.9     | BOLT DIN 933 M8-30 12.9           | VIS DIN 933 M8-30 12.9        |
| 14   | 52030008 | 14  | -       | -   | ARANDELA ACERO TRAT.DIN 125-8   | WASHER DIN 125                    | RONDELLE DIN 125              |
| 15   | 22510209 | 1   | -       | -   | JUNTA TAPA POSTERIOR            | GASKET, rear                      | JOINT COUVERCLE POSTÉRIEUR    |
| 16   | 22513208 | 1   | -       | -   | TAPA POSTERIOR RED.2:1          | COVER, rear red. 2:1              | COUVERCLE POSTÉRIEUR RED. 2:1 |
| 17   | 52120012 | 1   | -       | -   | TUERCA DIN 934 M12 8.8 (C.10)   | NUT DIN 934 M12 8.8               | ECROU DIN 934 M12 8.8         |
| 18   | 22510304 | 1   | -       | -   | ARANDELA SEGURIDAD              | WASHER                            | RONDELLE                      |
| 19   | 56000057 | 1   | -       | -   | ARANDELA COBRE 8-13-1,5         | WASHER 8-13-1,5                   | RONDELLE                      |
| 20   | 52102259 | 1   | -       | -   | TORNILLO DIN 933 M8-30 8.8      | BOLT DIN 933 M8-30 8.8            | VIS DIN 933 M8-30 8.8         |
| 21   | 13810040 | 1   | -       | -   | ACOPLAMIENTO ELASTICO           | COUPLING,damper                   | ACCOUPLLEMENT ÉLASTIQUE       |
| 22   | 25210214 | 1   | -       | -   | RETEN EJE SECUNDARIO 40-52-7    | SEAL,oil 40-52-7                  | JOINT D'ÉTANCHÉITÉ            |
| 23   | 22210103 | 1   | -       | -   | RETEN EJE PRIMARIO BA 30-47-7   | SEAL,oil BA 30-47-7               | JOINT D'ÉTANCHÉITÉ            |
| 24   | 53033006 | 1   | -       | -   | ARANDELA GROWER DIN 127-6       | WASHER GROWER DIN 127-6           | RONDELLE                      |
| 25   | 52102156 | 1   | -       | -   | TORNILLO DIN 933 M6-15 8.8      | BOLT DIN 933 M6-15 8.8            | VIS DIN 933 M6-15 8.8         |
| 26*  | 13814005 | 1   | -       | -   | CONJUNTO BOMBA ALIMENTACION     | PUMP ASSY, FUEL FEED              | ENSEMBLE POMPE ALIMENTATION   |

26\* NUEVA BOMBA MONTADA EN MOTORES PRODUCIDOS DESDE 07-2005  
NEW PUMP EQUIPPED IN ENGINES PRODUCED FROM 07-2005  
LA NOUVELLE POMPE ÉQUIPÉE DANS DES MOTEURS A PRODUIT À PARTIR DE 07-2005

8 NIVEL MONTADO EN INVERSORES CON CONO CON ROSCA MECANIZADA (ref. 22510202)  
FITTED IN GEARBOX WITH CONE WITH THREAD MACHINED ( part no. 22510202)  
ÉQUIPÉ DANS LA BOÎTE DE VITESSE AVEC LE CÔNE DU FIL USINÉ (ref. 22510202)

8\* NIVEL MONTADO EN INVERSORES CON CONO LISO (ref. 22510232)  
FITTED IN GEARBOX WITH CONE WITHOUT THREAD MACHINED ( part no. 22510232)  
ÉQUIPÉ DANS LA BOÎTE DE VITESSE AVEC LE CÔNE (ref. 22510232)

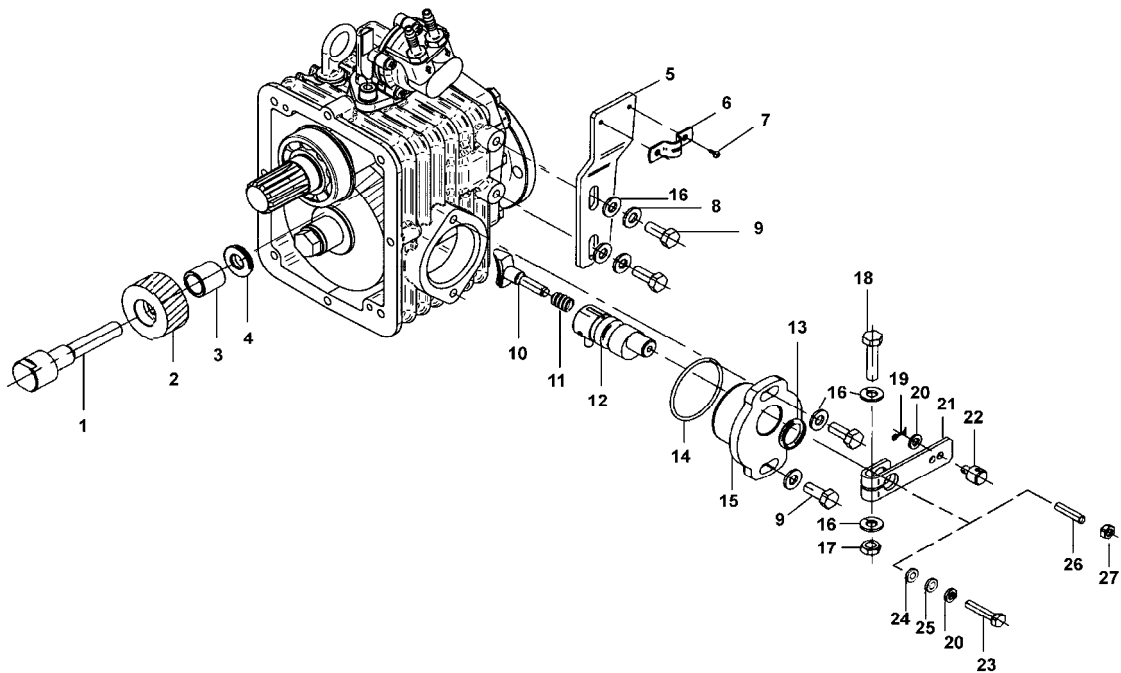


| MANDO INTERMEDIO RONIM.V (MINI - 33)<br>INTERMEDIATE CONTROL FOR RONIM-V (MINI-33)<br>COMMANDEMENT INTERMEDIAIRE (MINI - 33) |            |     |         |     | ( RONIM-V)                     | MI33-44.31.1                |                             |
|--|------------|-----|---------|-----|--------------------------------|-----------------------------|-----------------------------|
| FIG.   | REF.       |     |         |     | DESCRIPCIÓN                    | DESCRIPTION                 | DÉSIGNATION                 |
|  | MINI-33    | QTY | MINI-44 | QTY |                                |                             |                             |
| 1  | 22510301   | 1   | -       | -   | EJE INTERMEDIO                 | SHAFT, intermediate         | ARBRE INTERMÉDIAIRE         |
| 2  | 22510302   | 1   | -       | -   | PIÑÓN INTERMEDIO               | GEAR,intermediate           | PIGNON INTERMEDIAIRE        |
| 3  | 22510306   | 1   | -       | -   | CASQUILLO DE AGUJAS            | BEARING, needle             | DOUILLE À AIGUILLE          |
| 4  | 22510305   | 1   | -       | -   | ARANDELA TOPE PIÑÓN            | WASHER, friction            | RONDELLE                    |
| 5  | 22510901   | 1   | -       | -   | SOPORTE MORSE INVERSOR         | BRACKET, GEAR BOX CONTROL   | SUPPORT MORSE INVERSEUR     |
| 6  | 14719013   | 1   | -       | -   | BRIDA FIJACION CABLES          | CLAMP,cable                 | BRIDE FIXATION CABLES       |
| 7  | 55307104   | 2   | -       | -   | TORNILLO DIN 86 W3/16-10 LATON | BOLT DIN 86 W3/16-10        | VIS DIN 86 W3/16-10 LAITON  |
| 8  | 53033008   | 2   | -       | -   | ARANDELA GROWER DIN 127-8      | WASHER GROWER DIN 127-8     | ROND.ÉLAST.GROWER DIN 127-8 |
| 9  | 52102257   | 4   | -       | -   | TORNILLO DIN 933 M8-20 8.8     | BOLT DIN 933 M8-20 8.8      | VIS DIN 933 M8-20 8.8       |
| 10   | 22510423   | 1   | -       | -   | DEDO MANDO                     | ARM, control                | DOIGT COMMANDE              |
| 11   | 22510411   | 1   | -       | -   | MUELLE MANDO                   | SPRING                      | RESSORT                     |
| 12   | 22310402.1 | 1   | -       | -   | EXCENTRICA MANDO               | EXCENTRICA, CONTROL         | EXCENTRIQUE COMMANDE        |
| 13   | 25610404   | 1   | -       | -   | RETEN                          | SEAL                        | JOINT D'ETANCHEITE          |
| 14   | 22310417   | 1   | -       | -   | JUNTA TOR.CUERPO 49-54-2,5     | O-RING 49-54-2,5            | JOINT TOR.CORP 49-54-2,5    |
| 15   | 22310401.1 | 1   | -       | -   | CUERPO MANDO                   | BODY,CONTROL                | CORP                        |
| 16   | 51030008   | 6   | -       | -   | ARANDELA ACERO DIN 125-8       | WASHER DIN 125-8            | RONDELLE PLATE DIN 125-8    |
| 17   | 51123008   | 1   | -       | -   | TUERCA DIN 985 M8 5.6          | NUT DIN 985 M8 5.6          | ECROU DIN 985 M8 5.6        |
| 18   | 53117260   | 1   | -       | -   | TORNILLO ISO 7380 M8-35 12.9   | BOLT ISO 7380 M8-35 12.9    | VIS ISO 7380 M8-35 12.9     |
| 19   | 54051155   | 1   | -       | -   | PASADOR DIN 94 2-16 AC.INOX    | PIN DIN 94 2-16 AC.INOX     | GOUJON DIN 94 2-16 AC.INOX  |
| 20   | 51030006   | 2   | -       | -   | ARANDELA ACERO DIN 125-6       | WASHER DIN 125-6            | RONDELLE                    |
| 21   | 25610424   | 1   | -       | -   | PALANCA MANDO                  | LEVER,CONTROL               | PALANQUE COMMANDE           |
| 22   | 14719115   | 1   | -       | -   | TERMINAL CABLE                 | COUPLING,cable              | TERMINAL CABLE              |
| 23   | 52102159   | 1   | -       | -   | TORNILLO DIN 933 M6-30 8.8     | BOLT DIN 933 M6-30 8.8      | VIS DIN 933 M6-30 8.8       |
| 24   | 22510425   | 1   | -       | -   | ARANDELA DE AJUSTE 0,2         | WASHER ADJUSTING 0,2        | RONDELLE DE REGLAGE 0,2     |
| 25   | 22510426   | 1   | -       | -   | ARANDELA DE AJUSTE 0,5         | WASHER ADJUSTING 0,5        | RONDELLE DE REGLAGE 0,5     |
| 26*  | 52111161   | 1   | -       | -   | VARI.ROSCA.DIN 913 M6-40 8.8   | ROD DIN 913 M6-40 8.8       | JAUGE VIS DIN 913 M6-40 8.8 |
| 27*  | 51123006   | 1   | -       | -   | TUERCA DIN 985 M6 5.6          | NUT DIN 985 M6 5.6          | ECROU DIN 985 M6 5.6        |
| 28   | 22513501   | 1   | -       | -   | JUEGO JUN.yRET.RONIM-5 2:1y3:1 | GASKET AND SEAL KIT RONIM-5 | JEU JOINT ET RENFORT        |

\* INTERCAMBIABLES POR LAS PIEZAS N°20-23-24-25

\*INTERCHANGEABLES FOR PARTS NO. 20-23-24-25

\* INTERCHANGEABLE PAR LES PIÈCES AVEC NUMÉRO 20-23-24-25

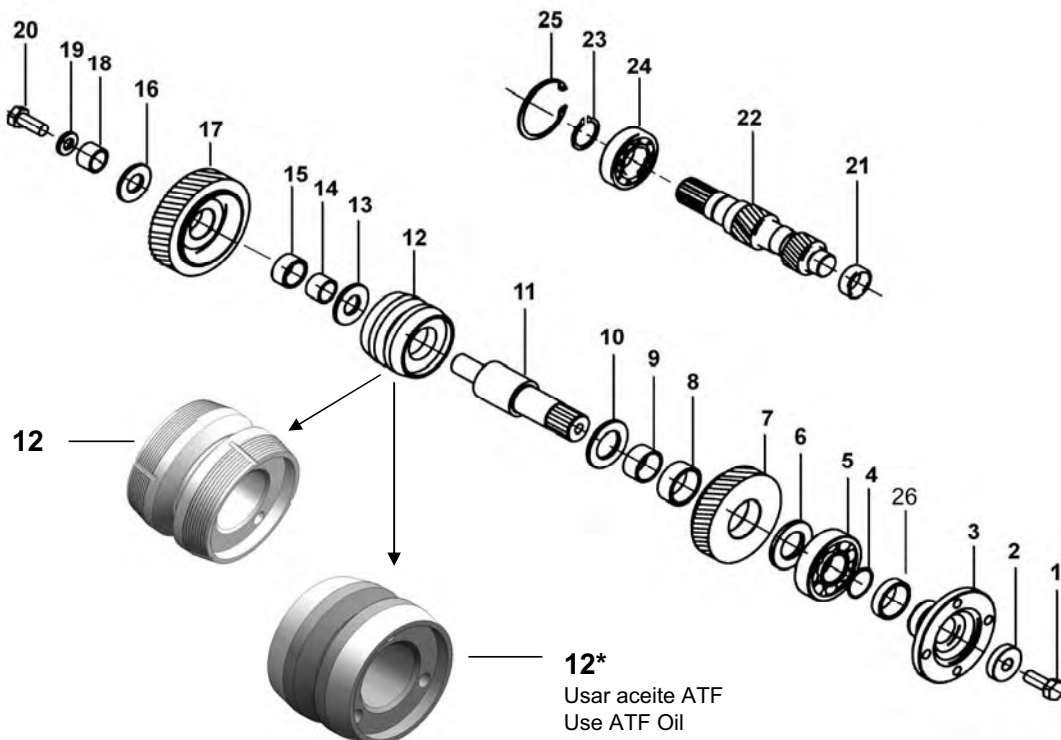


| EJES PRIMARIO Y SECUNDARIO<br>RONIM-V INPUT & OUTPUT SHAFT<br>ARBRES PRIMAIRE ET SECONDAIRE |          |     |         |     | ( RONIM-V)                   | MI33-44.32.1             |                         |
|---|----------|-----|---------|-----|------------------------------|--------------------------|-------------------------|
| FIG.  | REF.     |     |         |     | DESCRIPCIÓN                  | DESCRIPTION              | DÉSIGNATION             |
|   | MINI-33  | QTY | MINI-44 | QTY |                              |                          |                         |
| 1   | 53102359 | 1   | -       | -   | TORNILLO DIN 933 M12-30 12.9 | BOLT DIN 933 M12-30 12.9 | VIS DIN 933 M12-30 12.9 |
| 2   | 25210219 | 1   | -       | -   | ARANDELA BLOCAJE DELANTERA   | WASHER,blockage          | RONDELLE                |
| 3   | 22510225 | 1   | -       | -   | BRIDA SALIDA INVERSOR        | FLANGE, output           | BRIDE                   |
| 4   | 25210231 | 1   | -       | -   | JUNTA TORICA 29,5-1,5        | O RING 29,5-1,5          | JOINT TORIQUE 29,5-1,5  |
| 5   | 22415224 | 1   | -       | -   | RODAMIENTO                   | BEARING,ball             | ROULEMENT               |
| 6   | 22510218 | 1   | -       | -   | SEPARADOR RODAMIENTO         | SPACER, beating          | SÉPARATEUR ROULEMENT    |
| 7   | 22513210 | 1   | -       | -   | RUEDA POSTERIOR RED.2:1      | GEAR,rear red. 2:1       | ROUE POSTERIEUR RED.2:1 |
| 8   | 22510204 | 1   | -       | -   | CASQUILLO DE AGUJAS          | BEARING, needle          | DOUILLE À AIGUILLE      |
| 9   | 22510205 | 1   | -       | -   | ANILLO INTERIOR              | RING, bearing            | ANNEAU                  |
| 10  | 22510217 | 1   | -       | -   | ARANDELA TOPE RUEDA          | SPACER, gear             | RONDELLE                |
| 11  | 22510201 | 1   | -       | -   | EJE SECUNDARIO               | SHAFT, output            | ARBRE SECONDAIRE        |
| 12  | 22510202 | 1   | -       | -   | CONO EMBRAGUE                | CONE, clutch             | CONE EMBRAYAGE          |
| 12*   | 22510232 | 1*  | -       | -   | CONO EMBRAGUE                | CLUTCH CONE              | CONE EMBRAYAGE          |
| 13  | 22510216 | 1   | -       | -   | ARANDELA TOPE RUEDA          | SPACER, gear             | RONDELLE                |
| 14  | 22210205 | 1   | -       | -   | ANILLO INTERIOR              | RING                     | ANNEAU                  |
| 15  | 22210204 | 1   | -       | -   | CASQUILLO DE AGUJAS          | BEARING,needle           | DOUILLE À AIGUILLE      |
| 16  | 22510228 | 1   | -       | -   | ARANDELA                     | SPACER                   | RONDELLE                |
| 17  | 22513203 | 1   | -       | -   | RUEDA DENTADA ANT.RED.2,28:1 | GEAR,front red. 2,28:1   | ROUE,RAP 2,28:1         |
| 18  | 22210205 | 1   | -       | -   | ANILLO INTERIOR              | RING                     | ANNEAU                  |
| 19  | 22210219 | 1   | -       | -   | ARANDELA TOPE                | WASHER                   | RONDELLE                |
| 20  | 25210222 | 1   | -       | -   | TORNILLO BLOCAJE             | BOLT,blockage            | VIS                     |
| 21  | 22210106 | 1   | -       | -   | CASQUILLO DE AGUJAS          | BEARING,needle           | DOUILLE À AIGUILLE      |
| 22  | 22513101 | 1   | -       | -   | EJE PRIMARIO RED.2:1         | SHAFT,input red. 2:1     | ARBRE PRIMAIRE RED. 2:1 |
| 23  | 53040030 | 1   | -       | -   | ANILLO ELASTICO DIN 471 E-30 | CIRCLIP DIN 471 E-30     | ANNEAU                  |
| 24  | 25110104 | 1   | -       | -   | RODAMIENTO                   | BEARING,ball             | ROULEMENT               |
| 25  | 53041062 | 1   | -       | -   | ANILLO ELASTICO DIN 472 I-62 | CIRCLIP DIN 472 I-62     | ANNEAU                  |
| 26  | 25210214 | 1   | -       | -   | RETEN EJE SECUNDARIO 40-52-7 | SEAL,oil 40-52-7         | JOINT D'ÉTANCHÉITÉ      |

\* NUEVA VERSION. INTERCAMBIABLE CON EL 22510202, PERO REQUIERE EL USO DE ACEITE ATF Y SE RECOMIENDA CAMBIAR LAS RUEDAS DENTADAS (7) Y (17).  
COMPROBAR EL NIVEL ACEITE SEGÚN VARILLA 22510009

\*NEW VERSION. INTERCHANGEABLE WITH CONE P/N 22510202. REQUIRES ATF OIL AND IT'S RECOMMENDED TO CHANGE GEARS (7) AND (17) IF CONE IS REPLACED.  
CHECK THE OIL LEVEL FOLLOWING THE MARK OF OIL TIP 22510009

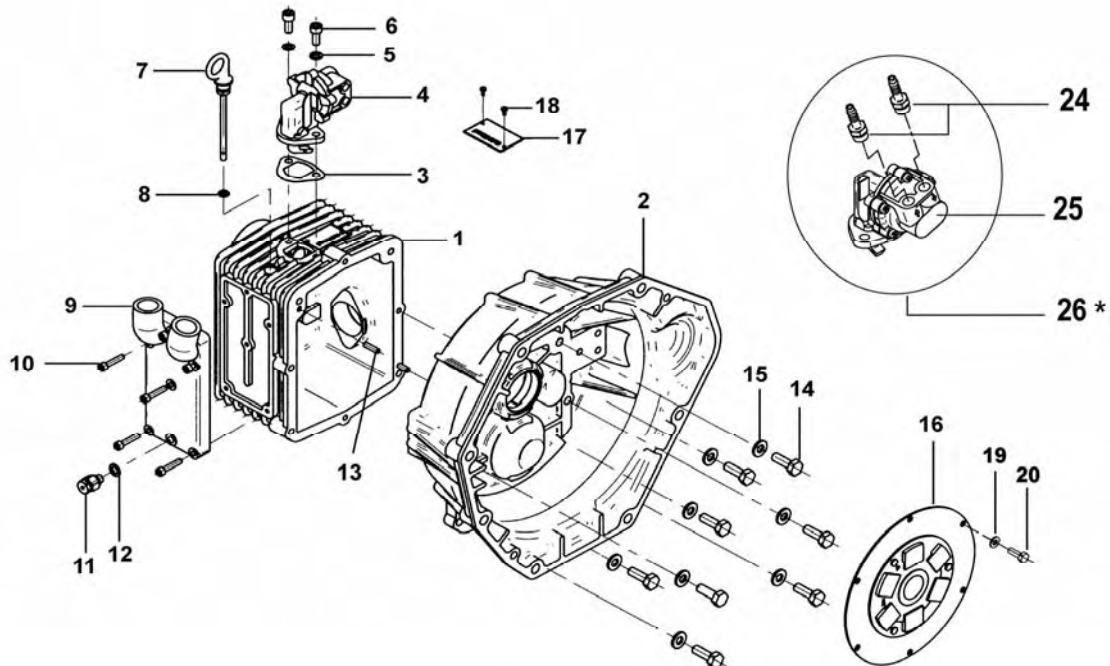
\*NOUVELLE VERSION. INTERCHANGEABLE PAR LE CÔNE REF 22510202. EXIGE L'HUILE D'ATF ET ON LUI RECOMMANDE CHANGER ROUES DENTÉES (7) ET (17)  
SI LE CÔNE EST REMPLACÉ



| CUERPO INVERSOR<br>RONIM-V GEARBOX BODY<br>CORPS INVERSEUR |          |     |          |     | ( SMI-R2 )                   | MI33-44.33.0                    |                               |
|--|----------|-----|----------|-----|------------------------------|---------------------------------|-------------------------------|
| FIG.   | REF.     |     |          |     | DESCRIPCIÓN                  | DESCRIPTION                     | DÉSIGNATION                   |
|  | MINI-33  | QTY | MINI-44  | QTY |                              |                                 |                               |
| -  | 25613300 | 1   | 25613300 | 1   | INV.SMI-R2 RED.2:1 M-33/44   | GEAR BOX SMI-R2 R.2:1 M-33/44   | INV. SMI-R2 RED.2:1 M-33/44   |
| -  | 25614300 | 1   | 25614300 | 1   | INV.SMI-R2 RED.2,5:1 M-33/44 | GEAR BOX SMI-R2 R.2,5:1 M-33/44 | INV. SMI-R2 RED.2,5:1 M-33/44 |
| -  | 25615300 | 1   | 25615300 | 1   | INV.SMI-R2 RED.3:1 M-33/44   | GEAR BOX SMI-R2 R.3:1 M-33/44   | INV. SMI-R2 RED.3:1 M-33/44   |
| 1  | 25613003 | 1   | 25613003 | 1   | CUERPO POSTERIOR RED.2:1     | HOUSING, rear rat.2:1           | CORP POSTERIEUR RED.2:1       |
| 1  | 25614003 | 1   | 25614003 | 1   | CUERPO POSTERIOR RED.2,5:1   | HOUSING, rear rat.2,5:1         | CORP POSTERIEUR RED.2,5:1     |
| 1  | 25615003 | 1   | 25615003 | 1   | CUERPO POSTERIOR RED.3:1     | HOUSING, rear rat.3:1           | CORP POSTERIEUR RED.3:1       |
| 2  | 25613020 | 1   | 25613020 | 1   | CUERPO ANTERIOR RED.2:1      | HOUSING, FRONT RAT.2:1          | CORPS ANTERIEUR RED.2:1       |
| 2  | 25614020 | 1   | 25614020 | 1   | CUERPO ANTERIOR RED.2,5:1    | HOUSING, FRONT RAT.2,5:1        | CORPS ANTERIEUR RED.2,5:1     |
| 2  | 25615020 | 1   | 25615020 | 1   | CUERPO ANTERIOR RED.3:1      | HOUSING, FRONT RAT.3:1          | CORPS ANTERIEUR RED.3:1       |
| 3  | 13114002 | 1   | 13114002 | 1   | JUNTA                        | GASKET                          | JOINT                         |
| 4  | 13414001 | 1   | 13414001 | 1   | BOMBA ALIMENTACION           | PUMP, fuel supply               | POMPE ALIMENTATION            |
| 5  | 53038008 | 2   | 53038008 | 2   | ARANDELA DIN 6798-A 8        | WASHER DIN 6798-A 8             | RONDELLE                      |
| 6  | 52103257 | 2   | 52103257 | 2   | TORNILLO DIN 912 M8-20 8.8   | BOLT DIN 912 M8-20 8.8          | VIS DIN 912 M8-20 8.8         |
| 7  | 25610008 | 1   | 25610008 | 1   | CONJUNTO TAPON LLENADO       | CAP ASSY, oil filler            | ENSEMBLE BOUCHON              |
| 8  | 25210010 | 1   | 25210010 | 1   | JUNTA TORICA                 | O-RING 10-15-2,5                | JOINT TORIQUE 10-15-2,5       |
| 9  | 25410103 | 1   | 25410103 | 1   | TAPA REFRIGERADOR            | COVER, cooler                   | COUVERCLE REFLROIDISSEUR      |
| 10   | 52103159 | 6   | 52103159 | 6   | TORNILLO DIN 912 M6-30 8.8   | BOLT DIN 912 M6-30 8.8          | VIS DIN 912 M6-30 8.8         |
| 11   | 13111038 | 1   | 13111038 | 1   | GRIFO DRENAJE COLECTOR M-10  | DRAIN COCK WATER COOLER         | ROBINET                       |
| 12   | 56000061 | 1   | 56000061 | 1   | ARANDELA COBRE 10-16-1,5     | WASHER 10-16-1,5                | RONDELLE                      |
| 13   | 25210418 | 2   | 25210418 | 2   | PASADOR EXCENTRICA           | PIN                             | GOUJON EXCENTRIQUE            |
| 14   | 52102309 | 8   | 52102309 | 8   | TORNILLO DIN 933 M10-30 8.8  | BOLT DIN 933 M10-30 8.8         | VIS DIN 933 M10-30 8.8        |
| 15   | 51030010 | 8   | 51030010 | 8   | ARANDELA ACERO DIN 125-10    | WASHER DIN 125-10               | RONDELLE                      |
| 16   | 13810040 | 1   | 17310070 | 1   | ACOPLAMIENTO ELASTICO        | COUPLING, damper                | ACCOUPLMENT ÉLASTIQUE         |
| 17   | 25610005 | 1   | 25610005 | 1   | PLACA IDENTIFICACION         | PLATE, name                     | PLAQUE IDENTIFICATION         |
| 18   | 17111062 | 2   | 17111062 | 2   | TORNILLO FIJACION PLACA 2,9  | BOLT                            | VIS                           |
| 19   | 53033006 | 6   | 53033006 | 6   | ARANDELA GROWER DIN 127-6    | WASHER GROWER DIN 127-6         | RONDELLE                      |
| 20   | 52102156 | 6   | 52102156 | 6   | TORNILLO DIN 933 M6-15 8.8   | BOLT DIN 933 M6-15 8.8          | VIS DIN 933 M6-15 8.8         |
| 24   | 13814006 | 2   | 13814006 | 2   | RACORD 1/2" UNF20            | RACORD 1/2" UNF20               | RACORD 1/2" UNF20             |
| 25   | 13814005 | 1   | 13814005 | 1   | CONJUNTO BOMBA ALIMENTACION  | PUMP ASSY, FUEL FEED            | ENSEMBLE POMPE ALIMENTATION   |
| 26*  | 13814005 | 1   | 13814005 | 1   | CONJUNTO BOMBA ALIMENTACION  | PUMP ASSY, FUEL FEED            | ENSEMBLE POMPE ALIMENTATION   |

26\*

NUEVA BOMBA MONTADA EN MOTORES PRODUCIDOS DESDE 07-2005  
 NEW PUMP EQUIPPED IN ENGINES PRODUCED FROM 07-2005  
 LA NOUVELLE POMPE ÉQUIPÉE DANS DES MOTEURS A PRODUIT A PARTIR DE 07-2005

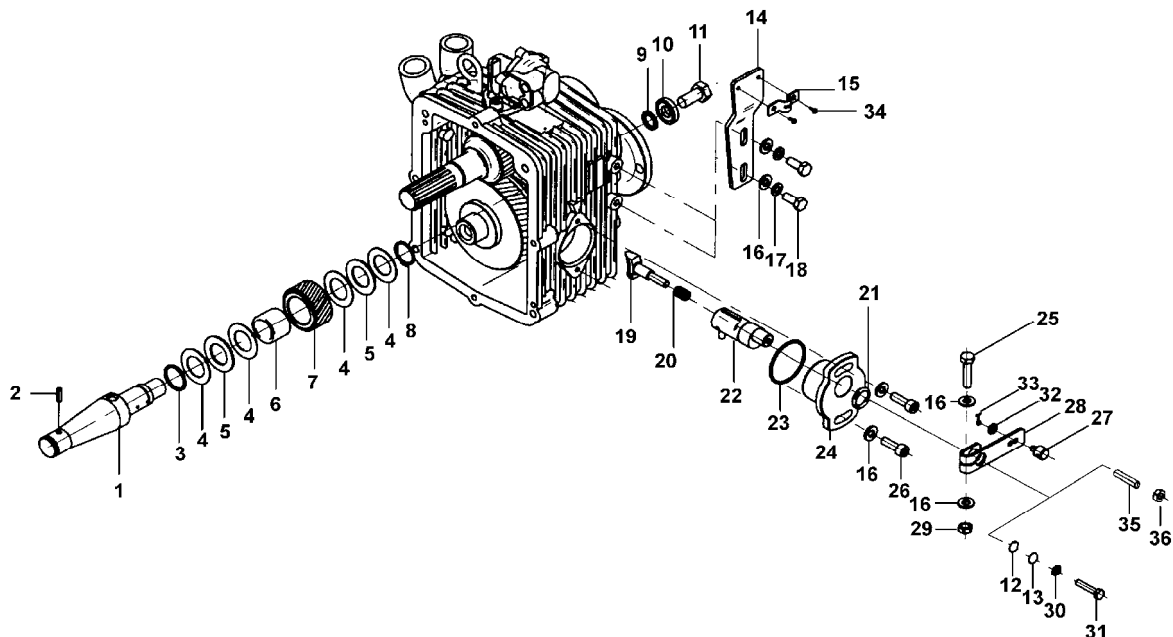


| MANDO INTERMEDIO<br>INTERMEDIATE CONTROL<br>COMMANDEMENT INTERMEDIAIRE |            |     |            |     | ( SMI-R2 )                     | MI33-44.34.2                |                                |
|--|------------|-----|------------|-----|--------------------------------|-----------------------------|--------------------------------|
| FIG.   | REF.       |     |            |     | DESCRIPCIÓN                    | DESCRIPTION                 | DÉSIGNATION                    |
|  | MINI-33    | QTY | MINI-44    | QTY |                                |                             |                                |
| 1  | 25610301   | 1   | 25610301   | 1   | EJE INTERMEDIO                 | SHAFT,intermediate          | ARBRE INTERMÉDIAIRE            |
| 2  | 22210007   | 1   | 22210007   | 1   | PASADOR DE CENTRAJE            | PIN                         | GOUJON                         |
| 3  | 25410305   | 1   | 25410305   | 1   | ARANDELA PRESION M-32          | WASHER,spring               | RONDELLE                       |
| 4  | 40500315   | 4   | 40500315   | 4   | DISCO AXIAL                    | AXIAL DISC                  | DISQUE                         |
| 5  | 40500314   | 2   | 40500314   | 2   | CORONA AXIAL                   | AXIAL CROWN                 | COURONNE                       |
| 6  | 25410316   | 1   | 25410316   | 1   | CORONA DE AGUJAS               | BEARING,needle              | COURONNE                       |
| 7  | 25413352   | 1   | 25413352   | 1   | PIÑÓN INTERMEDIO RED.2:1       | GEAR,intermediate red.2:1   | PIGNON INTERMEDIAIRE RED.2:1   |
| 7  | 25414352   | 1   | 25414352   | 1   | PIÑÓN INTERMEDIO RED.2,5:1     | GEAR,intermediate red.2,5:1 | PIGNON INTERMEDIAIRE RED.2,5:1 |
| 8  | 53040025   | 1   | 53040025   | 1   | ANILLO ELASTICO DIN 471 E-25   | CIRCLIP DIN 471 E-25        | ANNEAU                         |
| 9  | 59031014   | 1   | 59031014   | 1   | ARANDELA ESTANQUEIDAD DIAM.14  | WASHER                      | RONDELLE                       |
| 10   | 25610302   | 1   | 25610302   | 1   | ARANDELA                       | WASHER                      | RONDELLE                       |
| 11   | 52102358   | 1   | 52102358   | 1   | TORNILLO DIN 933 M12-25 8.8    | BOLT DIN 933 M12-25 8.8     | VIS DIN 933 M12-25 8.8         |
| 12   | 22510425   | 1   | 22510425   | 1   | ARANDELA DE AJUSTE 0,2         | WASHER ADJUSTING 0,2        | RONDELLE DE REGLAGE 0,2        |
| 13   | 22510426   | 1   | 22510426   | 1   | ARANDELA DE AJUSTE 0,5         | WASHER ADJUSTING 0,5        | RONDELLE DE REGLAGE 0,5        |
| 14   | 22510901   | 1   | 22510901   | 1   | SOPORTE MORSE INVERSOR         | BRACKET, GEAR BOX CONTROL   | SUPPORT MORSE INVERSEUR        |
| 15   | 14719013   | 1   | 14719013   | 1   | BRIDA FIJACION CABLES          | CLAMP,cable                 | BRIDE FIXATION CABLES          |
| 16   | 52030008   | 5   | 52030008   | 5   | ARANDELA ACERO TRAT.DIN 125-8  | WASHER DIN 125              | RONDELLE DIN 125               |
| 17   | 53033008   | 3   | 53033008   | 3   | ARANDELA GROWER DIN 127-8      | WASHER GROWER DIN 127-8     | ROND.ÉLAST.GROWER DIN 127-8    |
| 18   | 52102257   | 2   | 52102257   | 2   | TORNILLO DIN 933 M8-20 8.8     | BOLT DIN 933 M8-20 8.8      | VIS DIN 933 M8-20 8.8          |
| 19   | 25210423   | 1   | 25210423   | 1   | DEDO MANDO                     | ARM,control                 | DOIGT COMMANDE                 |
| 20   | 25210411   | 1   | 25210411   | 1   | MUELLE MANDO                   | SPRING                      | RESSORT                        |
| 21   | 25610404   | 1   | 25610404   | 1   | RETEN                          | SEAL                        | JOINT D'ETANCHEITE             |
| 22   | 25210402.1 | 1   | 25210402.1 | 1   | EXCENTRICA MANDO               | EXCENTRICA, CONTROL         | EXCENTRIQUE COMMANDE           |
| 23   | 25210417   | 1   | 25210417   | 1   | JUNTA TORICA 47-52-2,5         | O RING 47-52-2,5            | JOINT TORIQUE 47-52-2,5        |
| 24   | 25210401.1 | 1   | 25210401.1 | 1   | CUERPO MANDO                   | BODY CONTROL                | CORPS COMMANDE                 |
| 25   | 53117260   | 1   | 52103260   | 1   | TORNILLO ISO 7380 M8-35 12.9   | BOLT ISO 7380 M8-35 12.9    | VIS ISO 7380 M8-35 12.9        |
| 26   | 52103258   | 2   | 52103258   | 2   | TORNILLO DIN 912 M8-25 8.8     | BOLT DIN 912 M8-25 8.8      | VIS DIN 912 M8-25 8.8          |
| 27   | 14719115   | 1   | 14719115   | 1   | TERMINAL CABLE                 | COUPLING,cable              | TERMINAL CABLE                 |
| 28   | 25610424   | 1   | 25610424   | 1   | PALANCA MANDO                  | LEVER,CONTROL               | PALANQUE COMMANDE              |
| 29   | 51123008   | 1   | 51123008   | 1   | TUERCA DIN 985 M8 5.6          | NUT DIN 985 M8 5.6          | ECROU DIN 985 M8 5.6           |
| 30   | 52035006   | 1   | 52035006   | 1   | ARANDELA DIN 6340-6            | WASHER DIN 6340-6           | RONDELLE DIN 6340-6            |
| 31   | 52102160   | 1   | 52102160   | 1   | TORNILLO DIN 933 M6-35 8.8     | BOLT DIN 933 M6-35 8.8      | VIS DIN 933 M6-35 8.8          |
| 32   | 51030006   | 1   | 51030006   | 1   | ARANDELA ACERO DIN 125-6       | WASHER DIN 125-6            | RONDELLE                       |
| 33   | 54051155   | 1   | 54051155   | 1   | PASADOR DIN 94 2-16 AC.INOX    | PIN DIN 94 2-16 AC.INOX     | GOUJON DIN 94 2-16 AC.INOX     |
| 34   | 55307104   | 2   | 55307104   | 2   | TORNILLO DIN 86 W3/16-10 LATON | BOLT DIN 86 W3/16-10        | VIS DIN 86 W3/16-10 LAITON     |
| 35*  | 52111161   | 1*  | 52111161   | 1*  | VARI.ROSCA.DIN 913 M6-40 8.8   | ROD DIN 913 M6-40 8.8       | JAUGE VIS DIN 913 M6-40 8.8    |
| 36*  | 51123006   | 1*  | 51123006   | 1*  | TUERCA DIN 985 M6 5.6          | NUT DIN 985 M6 5.6          | ECROU DIN 985 M6 5.6           |
| 37   | 25613501   | 1   | 25613501   | 1   | JUEGO JUNTAS Y RETENES SMI-R2  | GASKET AND SEAL KIT SMI-R2  | JEU JOINTS ET RENFORT SMI-R2   |

\* INTERCAMBIABLES POR LAS PIEZAS N°12-13-30-31

\*INTERCHANGEABLES FOR PARTS NO. 12-13-30-31

\* INTERCHANGEABLE PAR LES PIÈCES AVEC NUMÉRO 12-13-30-31



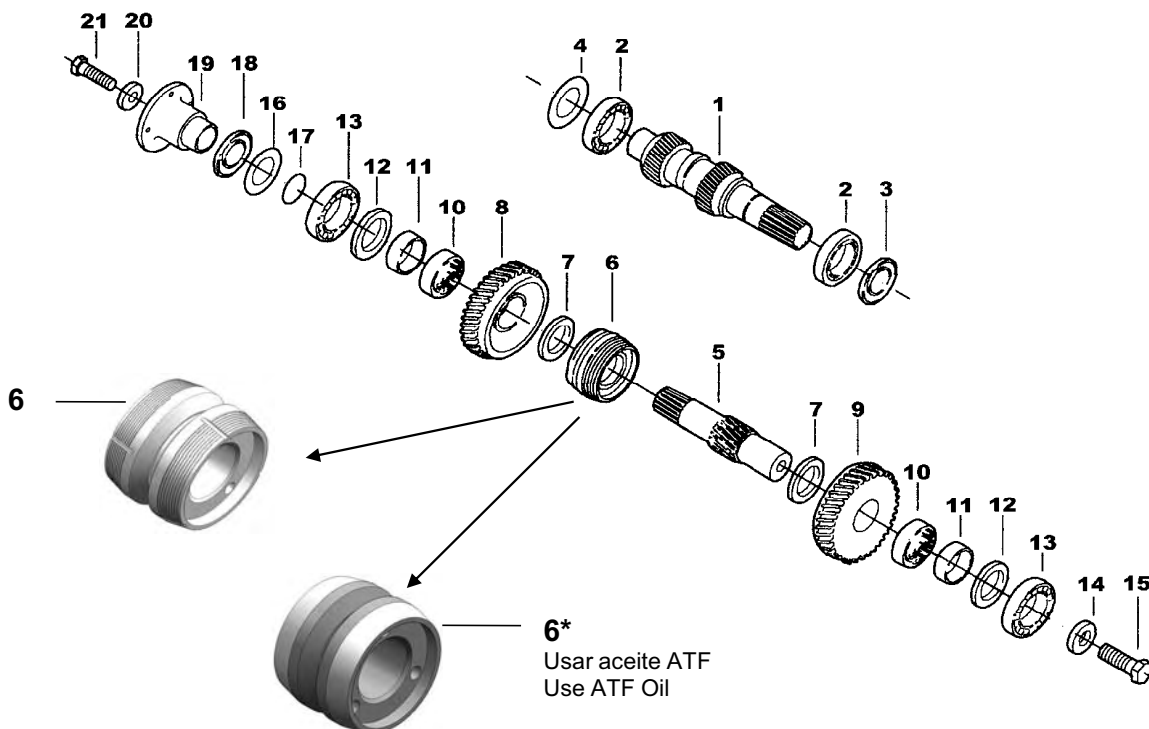
| EJES PRIMARIO Y SECUNDARIO<br>INPUT & OUTPUT SHAFT<br>ARBRES PRIMAIRE ET SECONDAIRE |          |     |          |     | ( SMI-R2 )                   | MI33-44.35.1             |                           |
|---|----------|-----|----------|-----|------------------------------|--------------------------|---------------------------|
| FIG.  | REF.     |     |          |     | DESCRIPCIÓN                  | DESCRIPTION              | DÉSIGNATION               |
|   | MINI-33  | QTY | MINI-44  | QTY |                              |                          |                           |
| 1   | 25613101 | 1   | 25613101 | 1   | EJE PRIMARIO RED.2:1         | SHAFT,input rat.2:1      | ARBRE PRIMAIRE RED.2:1    |
| 1   | 25614101 | 1   | 25614101 | 1   | EJE PRIMARIO RED.2,5:1       | SHAFT,input rat.2,5:1    | ARBRE PRIMAIRE RED.2,5:1  |
| 1   | 25615101 | 1   | 25615101 | 1   | EJE PRIMARIO RED.3:1         | SHAFT,input rat.3:1      | ARBRE PRIMAIRE RED.3:1    |
| 2   | 25210104 | 2   | 25210104 | 2   | RODAMIENTO                   | BEARING,roller           | ROULEMENT                 |
| 3   | 25210103 | 1   | 25210103 | 1   | RETEN EJE PRIMARIO 30-52-7   | SEAL,oil 30-52-7         | JOINT D'ÉTANCHÉITÉ        |
| 4   | 25210110 | 1   | 25210110 | 1   | LAMINA DE REGLAJE 0,5 MM     | SHIM,adjusting 0,5 MM    | LAME DE RÉGLAGE 0,5 MM    |
| 4   | 25210109 | 1   | 25210109 | 1   | LAMINA DE REGLAJE 0,3 MM     | SHIM,adjusting 0,3 MM    | LAME DE RÉGLAGE 0,3 MM    |
| 4   | 25210108 | 1   | 25210108 | 1   | LAMINA DE REGLAJE 0,1 MM     | SHIM,adjusting 0,1 MM    | LAME DE RÉGLAGE 0,1 MM    |
| 4   | 25610109 | 1   | 25610109 | 1   | LAMINA DE REGLAJE 0,05       | SHIM,adjusting 0,05      | LAME DE RÉGLAGE 0,05      |
| 5   | 25410201 | 1   | 25410201 | 1   | EJE SECUNDARIO               | SHAFT,output             | ARBRE SECONDAIRE          |
| 6   | 25210232 | 1   | 25210232 | 1   | CONO EMBRAGUE                | CONE,clutch              | CONE EMBRAYAGE            |
| 6*  | 25710202 | 1   | 25710202 | 1   | CONO EMBRAGUE                | CONE CLUTCH              | CONE EMBRAYAGE            |
| 7   | 25210217 | 2   | 25210217 | 2   | SEPARADOR RUEDA              | SPACER,gear              | SÉPARATEUR ROUE           |
| 8   | 25413257 | 1   | 25413257 | 1   | RUEDA POSTERIOR RED.2:1      | GEAR,rear red.2:1        | ROUE POSTERIEUR RED.2:1   |
| 8   | 25414257 | 1   | 25414257 | 1   | RUEDA POSTERIOR RED.2,5:1    | GEAR,rear red.2,5:1      | ROUE POSTERIEUR RED.2,5:1 |
| 8   | 25415257 | 1   | 25415257 | 1   | RUEDA POSTERIOR RED.3:1      | GEAR,rear red.3:1        | ROUE POSTERIEUR RED.3:1   |
| 9   | 25413253 | 1   | 25413253 | 1   | RUEDA ANTERIOR RED.2:1       | GEAR,front red.2:1       | ROUE ANTERIEUR RED.2:1    |
| 9   | 25414253 | 1   | 25414253 | 1   | RUEDA ANTERIOR RED.2,5:1     | GEAR,front red.2,5:1     | ROUE ANTERIEUR RED.2,5:1  |
| 9   | 25415253 | 1   | 25415253 | 1   | RUEDA ANTERIOR RED.3:1       | GEAR,front red.3:1       | ROUE ANTERIEUR RED.3:1    |
| 10  | 25210204 | 2   | 25210204 | 2   | CASQUILLO DE AGUJAS          | BEARING,needle           | DOUILLE À AIGUILLE        |
| 11  | 25210205 | 2   | 25210205 | 2   | ANILLO INTERIOR              | RING,bearing             | ANNEAU                    |
| 12  | 25610218 | 2   | 25610218 | 2   | SEPARADOR RODAMIENTO         | SPACER,bearing           | SÉPARATEUR ROULEMENT      |
| 13  | 25210206 | 2   | 25210206 | 2   | RODAMIENTO                   | BEARING,roller           | ROULEMENT                 |
| 14  | 25410219 | 1   | 25410219 | 1   | ARANDELA BLOCAJE DELANTERA   | WASHER blockage          | RONDELLE                  |
| 15  | 25410222 | 1   | 25410222 | 1   | TORNILLO BLOCAJE             | BOLT,blockage            | VIS                       |
| 16  | 25610209 | 1   | 25610209 | 1   | LAMINA DE REGLAJE 0,05       | SHIM,adjusting 0,05 MM   | LAME DE RÉGLAGE 0,05 MM   |
| 16  | 25210211 | 1   | 25210211 | 1   | LAMINA DE REGLAJE 0,1 MM     | SHIM,adjusting 0,1 MM    | LAME DE RÉGLAGE 0,1 MM    |
| 16  | 25210212 | 1   | 25210212 | 1   | LAMINA DE REGLAJE 0,3 MM     | SHIM,adjusting 0,3 MM    | LAME DE RÉGLAGE 0,3 MM    |
| 16  | 25210213 | 1   | 25210213 | 1   | LAMINA DE REGLAJE 0,5 MM     | SHIM,adjusting 0,5 MM    | LAME DE RÉGLAGE 0,5 MM    |
| 16  | 25210215 | 1   | 25210215 | 1   | LAMINA DE REGLAJE 1 MM       | SHIM,adjusting 1 MM      | LAME DE RÉGLAGE 1 MM      |
| 17  | 25210231 | 1   | 25210231 | 1   | JUNTA TORICA 29,5-1,5        | O RING 29,5-1,5          | JOINT TORIQUE 29,5-1,5    |
| 18  | 25210214 | 1   | 25210214 | 1   | RETEN EJE SECUNDARIO 40-52-7 | SEAL,oil 40-52-7         | JOINT D'ÉTANCHÉITÉ        |
| 19  | 25210230 | 1   | 25210230 | 1   | BRIDA SALIDA INVERSOR        | FLANGE,output            | BRIDE                     |
| 20  | 25210219 | 1   | 25210219 | 1   | ARANDELA BLOCAJE DELANTERA   | WASHER,blockage          | RONDELLE                  |
| 21  | 53102359 | 1   | 53102359 | 1   | TORNILLO DIN 933 M12-30 12,9 | BOLT DIN 933 M12-30 12,9 | VIS DIN 933 M12-30 12,9   |

6\*

Para relacion de reducción 3:1

Only for ratio 3:1

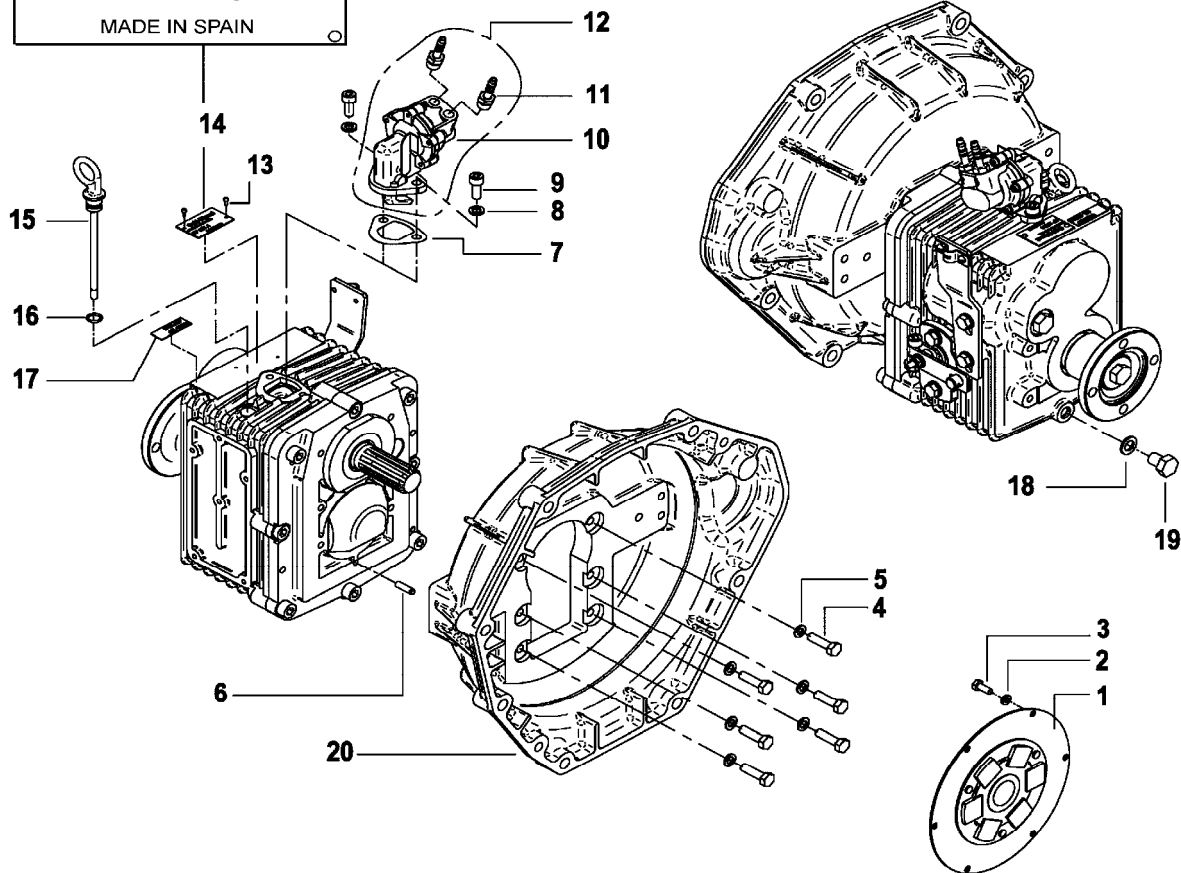
Seulement pour le rapport 3:1



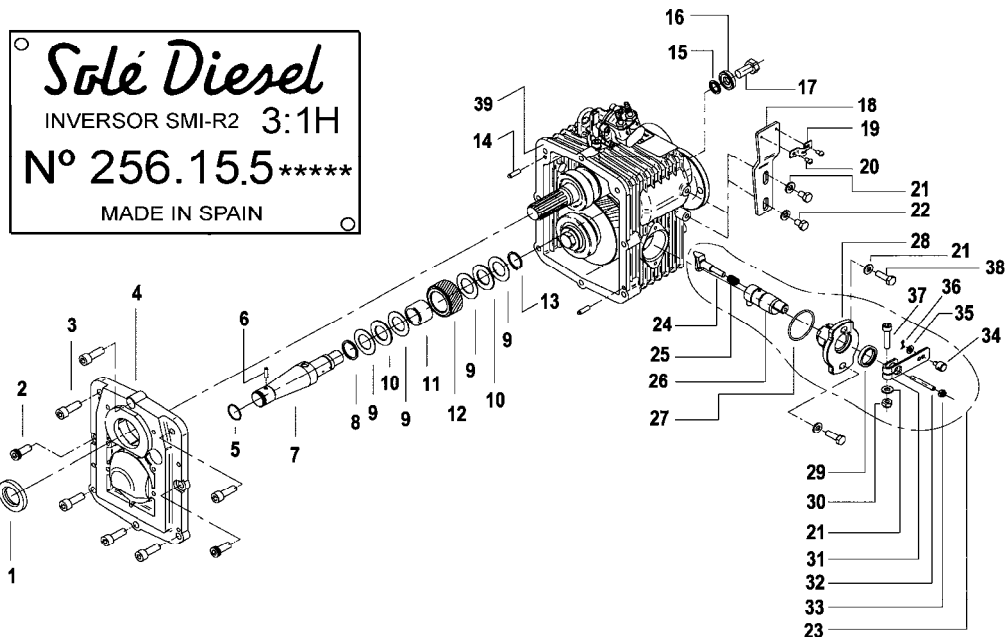


| CUERPO INVERSOR NUEVO<br>NEW GEARBOX BODY<br>CORPS INVERSEUR NEUF |           |     |         |     | REDUCCION 3:1<br>RATIO 3:1<br>RAPPORT 3:1 | ( SMI-R2 )                   | MI33-44.36.0                    |
|---|-----------|-----|---------|-----|---|------------------------------|---------------------------------|
| FIG.  | REF.      |     |         |     | DESCRIPCIÓN                               | DESCRIPTION                  | DÉSIGNATION                     |
|   | MINI-33   | QTY | MINI-44 | QTY |   |                              |                                 |
| ---   | 25615200H | 1   | -       | -   | INVERSOR SMI-R2 RED.3:1 HURTH             | GEAR BOX SMI-R2 R. 3:1 HURTH | INVERSEUR SMI-R2 RED. 3:1 HURTH |
| 1   | 17310070  | 1   | -       | -   | ACOPAMIENTO ELASTICO                      | COUPLING,DAMPER              | ACCOUPLMENT ÉLASTIQUE           |
| 2   | 53033006  | 6   | -       | -   | ARANDELA GROWER DIN 127-6                 | WASHER GROWER DIN 127-6      | RONDELLE                        |
| 3   | 52102156  | 6   | -       | -   | TORNILLO DIN 933 M6-15 8.8                | BOLT DIN 933 M6-15 8.8       | VIS DIN 933 M6-15 8.8           |
| 4   | 52102259  | 6   | -       | -   | TORNILLO DIN 933 M8-30 8.8                | BOLT DIN 933 M8-30 8.8       | VIS DIN 933 M8-30 8.8           |
| 5   | 53038008  | 6   | -       | -   | ARANDELA DIN 6798-A 8                     | WASHER DIN 6798-A 8          | RONDELLE                        |
| 6   | 25710007  | 1   | -       | -   | PASADOR DE CENTRAJE                       | PIN                          | GOUJON                          |
| 7   | 13114002  | 1   | -       | -   | JUNTA                                     | GASKET                       | JOINT                           |
| 8   | 53033008  | 2   | -       | -   | ARANDELA GROWER DIN 127-8                 | WASHER GROWER DIN 127-8      | ROND.ÉLAST.GROWER DIN 127-8     |
| 9   | 52103257  | 2   | -       | -   | TORNILLO DIN 912 M8-20 8.8                | BOLT DIN 912 M8-20 8.8       | VIS DIN 912 M8-20 8.8           |
| 10  | 13414001  | 1   | -       | -   | BOMBA ALIMENTACION                        | PUMP,fuel supply             | POMPE ALIMENTATION              |
| 11  | 13814006  | 2   | -       | -   | RACORD 1/2" UNF20                         | RACORD 1/2" UNF20            | RACORD 1/2" UNF20               |
| 12  | 17314005  | 1   | -       | -   | CONJUNTO BOMBA ALIMENTACION               | PUMP ASSY, FUEL FEED         | ENSEMBLE POMPE ALIMENTATION     |
| 13  | 17111062  | 2   | -       | -   | TORNILLO FIJACION PLACA 2,9               | BOLT                         | VIS                             |
| 14  | 25610005  | 1   | -       | -   | PLACA IDENTIFICACION                      | PLATE,name                   | PLAQUE IDENTIFICATION           |
| 15  | 25710008  | 1   | -       | -   | CONJUNTO TAPON LLENADO                    | CAP ASSY,OIL FILLER          | ENSEMBLE BOUCHON                |
| 16  | 25210010  | 1   | -       | -   | JUNTA TORICA                              | O-RING 10-15-2,5             | JOINT TORIQUE 10-15-2,5         |
| 17  | 25710006  | 1   | -       | -   | PLACA ACEITE ATF                          | ATF OIL PLATE                | PLAQUE HUILE ATF                |
| 18  | 56000115  | 1   | -       | -   | ARANDELA COBRE 12-20-2                    | WASHER 12-20-2               | RONDELLE                        |
| 19  | 54102356  | 1   | -       | -   | TORNILLO DIN 933 M12-16 INOX.             | BOLT DIN 933 M12-16 INOX.    | VIS DIN 933 M12-16 INOX.        |
| 20  | 17210009  | 1   | -       | -   | CALA ACOPLAMIENTO INVERSOR                | BELL HOUSING,GEAR BOX        | SONDAGE ACCOUP. INV.            |


  
 INVERSOR SMI-R2 3:1H  
 N° 256.15.5\*\*\*\*\*  
 MADE IN SPAIN

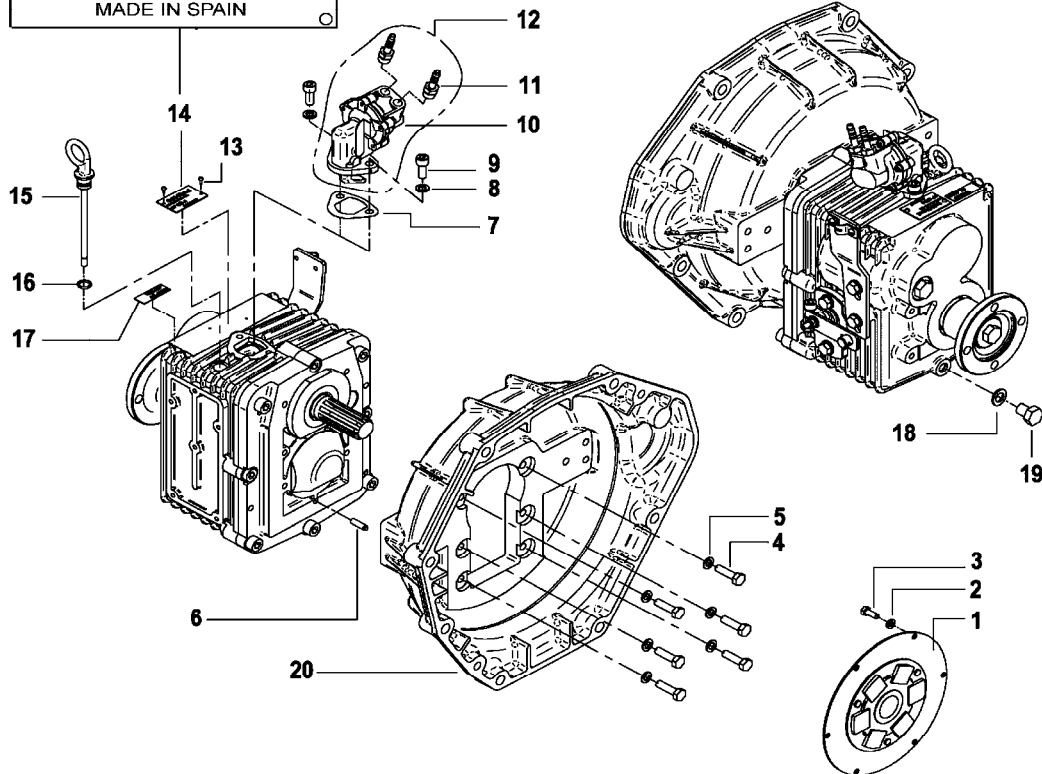


| MANDO INTERMEDIO REDUCCION 3:1<br>INTERMEDIATE CONTROL RATIO 3:1<br>COMMANDEMENT INTERMEDIAIRE RAPPORT 3:1 |            |     |            |     | ( SMI-R2 )                     | MI33-44.37.0              |                              |
|--|------------|-----|------------|-----|--------------------------------|---------------------------|------------------------------|
| FIG.   | REF.       |     |            |     | DESCRIPCIÓN                    | DESCRIPTION               | DÉSIGNATION                  |
|  | MINI-33    | QTY | MINI-44    | QTY |                                |                           |                              |
| 1  | 25210103   | 1   | 25210103   | 1   | RETEN EJE PRIMARIO 30-52-7     | SEAL,oil 30-52-7          | JOINT D'ÉTANCHÉITÉ           |
| 2  | 53104308   | 2   | 53104308   | 2   | TORNILLO DIN 7984 M10-25 12.9  | BOLT DIN 7984 M10-25 12.9 | VIS DIN 7984 M10-25 12.9     |
| 3  | 52103309   | 6   | 52103309   | 6   | TORNILLO DIN 912 M10-30 8.8    | BOLT DIN 912 M10-30 8.8   | VIS DIN 912 M10-30 8.8       |
| 4  | 25615004H  | 1   | 25615004H  | 1   | TAPA ANTERIOR RED.3:1          | COVER,front rat.3:1       | COUVERCLE,antérieur red.3:1  |
| 5  | 25610303   | 1   | 25610303   | 1   | JUNTA TORICA 19,1-1,6          | O-RING 19,1-1,6           | JOINT TORIQUE 19,1-1,6       |
| 6  | 22210007   | 1   | 22210007   | 1   | PASADOR DE CENTRAJE            | PIN                       | GOUJON                       |
| 7  | 25610301   | 1   | 25610301   | 1   | EJE INTERMEDIO                 | SHAFT,intermediate        | ARBRE INTERMÉDIAIRE          |
| 8  | 25410305   | 1   | 25410305   | 1   | ARANDELA PRESION M-32          | WASHER,spring             | RONDELLE                     |
| 9  | 40500315   | 4   | 40500315   | 4   | DISCO AXIAL                    | AXIAL DISC                | DISQUE                       |
| 10   | 40500314   | 2   | 40500314   | 2   | CORONA AXIAL                   | AXIAL CROWN               | COURONNE                     |
| 11   | 25410316   | 1   | 25410316   | 1   | CORONA DE AGUJAS               | BEARING,needle            | COURONNE                     |
| 12   | 25413352   | 1   | 25413352   | 1   | PIÑON INTERMEDIO RED.2:1       | GEAR,intermediate red.2:1 | PIGNON INTERMÉDIAIRE RED.2:1 |
| 13   | 53040025   | 1   | 53040025   | 1   | ANILLO ELASTICO DIN 471 E-25   | CIRCLIP DIN 471 E-25      | ANNEAU                       |
| 14   | 22510007   | 2   | 22510007   | 2   | PASADOR DE CENTRAJE            | PIN                       | GOUJON                       |
| 15   | 59031014   | 1   | 59031014   | 1   | ARANDELA ESTANQUEIDAD DIAM.14  | WASHER                    | RONDELLE                     |
| 16   | 25610302   | 1   | 25610302   | 1   | ARANDELA                       | WASHER                    | RONDELLE                     |
| 17   | 52102358   | 1   | 52102358   | 1   | TORNILLO DIN 933 M12-25 8.8    | BOLT DIN 933 M12-25 8.8   | VIS DIN 933 M12-25 8.8       |
| 18   | 22510901   | 1   | 22510901   | 1   | SOPORTE MORSE INVERSOR         | BRACKET, GEAR BOX CONTROL | SUPPORT MORSE INVERSEUR      |
| 19   | 14719013   | 1   | 14719013   | 1   | BRIDA FIJACION CABLES          | CLAMP,cable               | BRIDE FIXATION CABLES        |
| 20   | 55307104   | 2   | 55307104   | 2   | TORNILLO DIN 86 W3/16-10 LATON | BOLT DIN 86 W3/16-10      | VIS DIN 86 W3/16-10 LAITON   |
| 21   | 52030008   | 5   | 52030008   | 5   | ARANDELA ACERO TRAT.DIN 125-8  | WASHER DIN 125            | RONDELLE DIN 125             |
| 22   | 52102255   | 2   | 52102255   | 2   | TORNILLO DIN 933 M8-12 8.8     | BOLT DIN 933 M8-12 8.8    | VIS DIN 933 M8-12 8.8        |
| 23   | 25613400   | 1   | 25613400   | 1   | CONJUNTO MANDO                 | CONTROL ASSY              | ENSEMBLE COMMANDE            |
| 24   | 25210423   | 1   | 25210423   | 1   | DEDO MANDO                     | ARM,control               | DOIGT COMMANDE               |
| 25   | 25210411   | 1   | 25210411   | 1   | MUELLE MANDO                   | SPRING                    | RESSORT                      |
| 26   | 25210402.1 | 1   | 25210402.1 | 1   | EXCENTRICA MANDO               | EXCENTRICA, CONTROL       | EXCENTRIQUE COMMANDE         |
| 27   | 25210417   | 1   | 25210417   | 1   | JUNTA TORICA 47-52-2,5         | O RING 47-52-2,5          | JOINT TORIQUE 47-52-2,5      |
| 28   | 25210401.1 | 1   | 25210401.1 | 1   | CUERPO MANDO                   | BODY CONTROL              | CORPS COMMANDE               |
| 29   | 25610404   | 1   | 25610404   | 1   | RETEN                          | SEAL                      | JOINT D'ETANCHEITE           |
| 30   | 54123008   | 1   | 54123008   | 1   | TUERCA DIN 985 M8 INOX.        | NUT DIN 985 M8 INOX       | ECROU DIN 985 M8 INOX        |
| 31   | 25610424   | 1   | 25610424   | 1   | PALANCA MANDO                  | LEVER,CONTROL             | PALANQUE COMMANDE            |
| 32   | 52111161   | 1   | 52111161   | 1   | VARI.ROSCA.DIN 913 M6-40 8.8   | ROD DIN 913 M6-40 8.8     | JAUGE VIS DIN 913 M6-40 8.8  |
| 33   | 51123006   | 1   | 51123006   | 1   | TUERCA DIN 985 M6 5.6          | NUT DIN 985 M6 5.6        | ECROU DIN 985 M6 5.6         |
| 34   | 14719115   | 1   | 14719115   | 1   | TERMINAL CABLE                 | COUPLING,cable            | TERMINAL CABLE               |
| 35   | 51030006   | 1   | 51030006   | 1   | ARANDELA ACERO DIN 125-6       | WASHER DIN 125-6          | RONDELLE                     |
| 36   | 54051155   | 1   | 54051155   | 1   | PASADOR DIN 94 2-16 AC.INOX    | PIN DIN 94 2-16 AC.INOX   | GOUJON DIN 94 2-16 AC.INOX   |
| 37   | 52103260   | 1   | 52103260   | 1   | TORNILLO DIN 912 M8-35 8.8     | BOLT DIN 912 M8-35 8.8    | VIS DIN 912 M8-35 8.8        |
| 38   | 52102258   | 2   | 52102258   | 2   | TORNILLO DIN 933 M8-25 8.8     | BOLT DIN 933 M8-25 8.8    | VIS DIN 933 M8-25 8.8        |
| 39   | 25615003   | 1   | 25615003   | 1   | CUERPO POSTERIOR RED.3:1       | HOUSING,rear rat.3:1      | CORP POSTERIEUR RED.3:1      |



| CUERPO INVERSOR<br>GEARBOX BODY<br>CORPS INVERSEUR |           |     |           |     | ( SMI-R3 )                      | MI33-44.38.1                |                              |
|--|-----------|-----|-----------|-----|---------------------------------|-----------------------------|------------------------------|
| FIG.   | REF.      |     |           |     | DESCRIPCIÓN                     | DESCRIPTION                 | DÉSIGNATION                  |
|  | MINI-33   | QTY | MINI-44   | QTY |                                 |                             |                              |
| ---  | 25713000H | 1   | 25713000H | 1   | INVERSOR SMI-R3 RED.2:1 HURTH   | GEAR BOX SMI-R3 R.2:1 HURTH | INV.SMI-R3 R.2:1 HURTH       |
| ---  | 25714000H | 1   | 25714000H | 1   | INVERSOR SMI-R3 RED.2,5:1 HURTH | GEAR BOX SMI-R3 2,5:1 HURTH | INV.SMI-R3 R.2,5:1 HURTH     |
| 1  | 17310070  | 1   | 17310070  | 1   | ACOPLAMIENTO ELASTICO           | COUPLING,DAMPER             | ACCOUPLLEMENT ÉLASTIQUE      |
| 2  | 53033006  | 6   | 53033006  | 6   | ARANDELA GROWER DIN 127-6       | WASHER GROWER DIN 127-6     | RONDELLE                     |
| 3  | 52102156  | 6   | 52102156  | 6   | TORNILLO DIN 933 M6-15 8.8      | BOLT DIN 933 M6-15 8.8      | VIS DIN 933 M6-15 8.8        |
| 4  | 52102259  | 6   | 52102259  | 6   | TORNILLO DIN 933 M8-30 8.8      | BOLT DIN 933 M8-30 8.8      | VIS DIN 933 M8-30 8.8        |
| 5  | 53038008  | 6   | 53038008  | 6   | ARANDELA DIN 6798-A 8           | WASHER DIN 6798-A 8         | RONDELLE                     |
| 6  | 25710007  | 1   | 25710007  | 1   | PASADOR DE CENTRAJE             | PIN                         | GOUJON                       |
| 7  | 13114002  | 1   | 13114002  | 1   | JUNTA                           | GASKET                      | JOINT                        |
| 8  | 53038008  | 2   | 53038008  | 2   | ARANDELA DIN 6798-A 8           | WASHER DIN 6798-A 8         | RONDELLE                     |
| 9  | 52103257  | 2   | 52103257  | 2   | TORNILLO DIN 912 M8-20 8.8      | BOLT DIN 912 M8-20 8.8      | VIS DIN 912 M8-20 8.8        |
| 10   | 13414001  | 1   | 13414001  | 1   | BOMBA ALIMENTACION              | PUMP,fuel supply            | POMPE ALIMENTATION           |
| 11   | 13814006  | 2   | 13814006  | 2   | RACORD 1/2" UNF20               | RACORD 1/2" UNF20           | RACORD 1/2" UNF20            |
| 12   | 17314005  | 1   | 17314005  | 1   | CONJUNTO BOMBA ALIMENTACION     | PUMP ASSY, FUEL FEED        | ENSEMBLE POMPE ALIMENTATION  |
| 13   | 17111062  | 2   | 17111062  | 2   | TORNILLO FIJACION PLACA 2,9     | BOLT                        | VIS                          |
| 14   | 25710005  | 1   | 25710005  | 1   | PLACA IDENTIFICACION            | PLATE,NAME                  | PLAQUE IDENTIFICATION        |
| 15   | 25710008  | 1   | 25710008  | 1   | CONJUNTO TAPON LLENADO          | CAP ASSY,OIL FILLER         | ENSEMBLE BOUCHON             |
| 16   | 25210010  | 1   | 25210010  | 1   | JUNTA TORICA                    | O-RING 10-15-2,5            | JOINT TORIQUE 10-15-2,5      |
| 17   | 25710006  | 1   | 25710006  | 1   | PLACA ACEITE ATF                | ATF OIL PLATE               | PLAQUE HUILE ATF             |
| 18   | 56000115  | 1   | 56000115  | 1   | ARANDELA COBRE 12-20-2          | WASHER 12-20-2              | RONDELLE                     |
| 19   | 54102356  | 1   | 54102356  | 1   | TORNILLO DIN 933 M12-16 INOX.   | BOLT DIN 933 M12-16 INOX.   | VIS DIN 933 M12-16 INOX.     |
| 20   | 17210009  | 1   | 17210009  | 1   | CALA ACOPLAMIENTO INVERSOR      | BELL HOUSING,GEAR BOX       | SONDAGE ACCOUP. INV.         |
| 21   | 25713501  | 1   | 25713501  | 1   | JUEGO JUNTAS Y RETENES SMI-R3   | GASKET AND SEAL KIT SMI-R3  | JEU JOINTS ET RENFORT SMI-R3 |

  
 INVERSOR SMI-R3 \* :1H  
 N° 257.1 \* . \*\*\*\*\*  
 MADE IN SPAIN

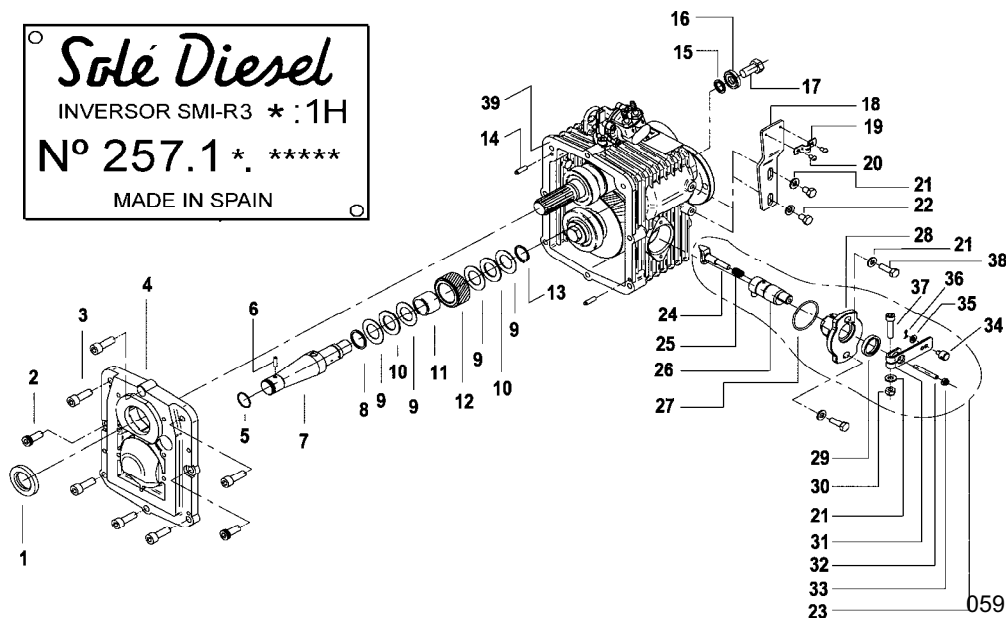


| MANDO INTERMEDIO (MINI - 33/44)<br>INTERMEDIATE CONTROL (MINI-33/44)<br>COMMANDEMENT INTERMEDIAIRE (MINI - 33/44) |            |     |            |     | ( SMI-R3 )                     | MI33-44.39.2               |                               |
|---|------------|-----|------------|-----|--------------------------------|----------------------------|-------------------------------|
| FIG.  | REF.       |     |            |     | DESCRIPCIÓN                    | DESCRIPTION                | DÉSIGNATION                   |
|   | MINI-33    | QTY | MINI-44    | QTY |                                |                            |                               |
| 1   | 25210103   | 1   | 25210103   | 1   | RETEN EJE PRIMARIO 30-52-7     | SEAL,oil 30-52-7           | JOINT D'ÉTANCHÉITÉ            |
| 2   | 53104308   | 2   | 53104308   | 2   | TORNILLO DIN 7984 M10-25 12.9  | BOLT DIN 7984 M10-25 12.9  | VIS DIN 7984 M10-25 12.9      |
| 3   | 52103309   | 6   | 52103309   | 6   | TORNILLO DIN 912 M10-30 8.8    | BOLT DIN 912 M10-30 8.8    | VIS DIN 912 M10-30 8.8        |
| 4   | 25713004H  | 1   | 25713004H  | 1   | TAPA ANTERIOR RED.2:1          | COVER,FRONT RAT.2:1        | COUVERCLE ANTERIEUR RED.2:1   |
| 4   | 25714004H  | 1   | 25714004H  | 1   | TAPA ANTERIOR RED.2,5:1        | COVER,FRONT RAT.2,5:1      | COUVERCLE ANTERIEUR RED.2,5:1 |
| 5   | 25610303   | 1   | 25610303   | 1   | JUNTA TORICA 19,1-1,6          | O-RING 19,1-1,6            | JOINT TORIQUE 19,1-1,6        |
| 5*  | 25710302   | 1   | 25710302   | 1   | JUNTA TORICA                   | O-RING                     | JOINT TORIQUE                 |
| 6   | 22210007   | 1   | 22210007   | 1   | PASADOR DE CENTRAJE            | PIN                        | GOUJON                        |
| 7   | 25710301   | 1   | 25710301   | 1   | EJE INTERMEDIO                 | SHAFT,INTERMEDIATE         | ARBRE INTERMEDIAIRE           |
| 8   | 25410305   | 1   | 25410305   | 1   | ARANDELA PRESION M-32          | WASHER,spring              | RONDELLE                      |
| 9   | 40500315   | 4   | 40500315   | 4   | DISCO AXIAL                    | AXIAL DISC                 | DISQUE                        |
| 10  | 40500314   | 2   | 40500314   | 2   | CORONA AXIAL                   | AXIAL CROWN                | COURONNE                      |
| 11  | 25710316   | 1   | 25710316   | 1   | CASQUILLO DE AGUJAS            | BEARING,NEEDLE             | DOUILLE A AIGUILLE            |
| 12  | 25713352   | 1   | 25713352   | 1   | PIÑON INTERMEDIO               | GEAR,INTERMEDIATE          | PIGNON INTERMEDIAIRE          |
| 13  | 53040025   | 1   | 53040025   | 1   | ANILLO ELASTICO DIN 471 E-25   | CIRCLIP DIN 471 E-25       | ANNEAU                        |
| 14  | 25710007   | 2   | 25710007   | 2   | PASADOR DE CENTRAJE            | PIN                        | GOUJON                        |
| 15  | 59031014   | 1   | 59031014   | 1   | ARANDELA ESTANQUEIDAD DIAM.14  | WASHER                     | RONDELLE                      |
| 16  | 25610302   | 1   | 25610302   | 1   | ARANDELA                       | WASHER                     | RONDELLE                      |
| 17  | 52102358   | 1   | 52102358   | 1   | TORNILLO DIN 933 M12-25 8.8    | BOLT DIN 933 M12-25 8.8    | VIS DIN 933 M12-25 8.8        |
| 18  | 22510901   | 1   | 22510901   | 1   | SOPORTE MORSE INVERSOR         | BRACKET, GEAR BOX CONTROL  | SUPPORT MORSE INVERSEUR       |
| 19  | 14719013   | 1   | 14719013   | 1   | BRIDA FIJACION CABLES          | CLAMP,cable                | BRIDE FIXATION CABLES         |
| 20  | 55307104   | 2   | 55307104   | 2   | TORNILLO DIN 86 W3/16-10 LATON | BOLT DIN 86 W3/16-10       | VIS DIN 86 W3/16-10 LAITON    |
| 21  | 52030008   | 5   | 52030008   | 5   | ARANDELA ACERO TRAT.DIN 125-8  | WASHER DIN 125             | RONDELLE DIN 125              |
| 22  | 52102255   | 2   | 52102255   | 2   | TORNILLO DIN 933 M8-12 8.8     | BOLT DIN 933 M8-12 8.8     | VIS DIN 933 M8-12 8.8         |
| 23  | 25613400   | 1   | 25613400   | 1   | CONJUNTO MANDO                 | CONTROL ASSY               | ENSEMBLE COMMANDE             |
| 24  | 25210423   | 1   | 25210423   | 1   | DEDO MANDO                     | ARM,control                | DOIGT COMMANDE                |
| 25  | 25210411   | 1   | 25210411   | 1   | MUELLE MANDO                   | SPRING                     | RESSORT                       |
| 26  | 25210402.1 | 1   | 25210402.1 | 1   | EXCENTRICA MANDO               | EXCENTRICA, CONTROL        | EXCENTRIQUE COMMANDE          |
| 27  | 25210417   | 1   | 25210417   | 1   | JUNTA TORICA 47-52-2,5         | O RING 47-52-2,5           | JOINT TORIQUE 47-52-2,5       |
| 28  | 25210401.1 | 1   | 25210401.1 | 1   | CUERPO MANDO                   | BODY CONTROL               | CORPS COMMANDE                |
| 29  | 25610404   | 1   | 25610404   | 1   | RETEN                          | SEAL                       | JOINT D'ETANCHEITE            |
| 30  | 54123008   | 1   | 54123008   | 1   | TUERCA DIN 985 M8 INOX.        | NUT DIN 985 M8 INOX        | ECROU DIN 985 M8 INOX         |
| 31  | 25610424   | 1   | 25610424   | 1   | PALANCA MANDO                  | LEVER,CONTROL              | PALANQUE COMMANDE             |
| 32  | 52111161   | 1   | 52111161   | 1   | VARI.ROSCA.DIN 913 M6-40 8.8   | ROD DIN 913 M6-40 8.8      | JAUGE VIS DIN 913 M6-40 8.8   |
| 33  | 51123006   | 1   | 51123006   | 1   | TUERCA DIN 985 M6 5.6          | NUT DIN 985 M6 5.6         | ECROU DIN 985 M6 5.6          |
| 34  | 14719115   | 1   | 14719115   | 1   | TERMINAL CABLE                 | COUPLING,cable             | TERMINAL CABLE                |
| 35  | 51030006   | 1   | 51030006   | 1   | ARANDELA ACERO DIN 125-6       | WASHER DIN 125-6           | RONDELLE                      |
| 36  | 54051155   | 1   | 54051155   | 1   | PASADOR DIN 94 2-16 AC.INOX    | PIN DIN 94 2-16 AC.INOX    | GOUJON DIN 94 2-16 AC.INOX    |
| 37  | 52103260   | 1   | 52103260   | 1   | TORNILLO DIN 912 M8-35 8.8     | BOLT DIN 912 M8-35 8.8     | VIS DIN 912 M8-35 8.8         |
| 38  | 52102258   | 2   | 52102258   | 2   | TORNILLO DIN 933 M8-25 8.8     | BOLT DIN 933 M8-25 8.8     | VIS DIN 933 M8-25 8.8         |
| 39  | 25713002   | 1   | 25713002   | 1   | CUERPO POSTERIOR RED.2:1       | HOUSING,REAR RAT.2:1       | CORPS POSTERIEUR RED.2:1      |
| 39  | 25714002   | 1   | 25714002   | 1   | CUERPO POSTERIOR RED.2,5:1     | HOUSING,REAR RAT.2,5:1     | CORPS POSTERIEUR RED.2,5:1    |
| 40  | 25713501   | 1   | 25713501   | 1   | JUEGO JUNTAS Y RETENES SMI-R3  | GASKET AND SEAL KIT SMI-R3 | JEU JOINTS ET RENFORT SMI-R3  |

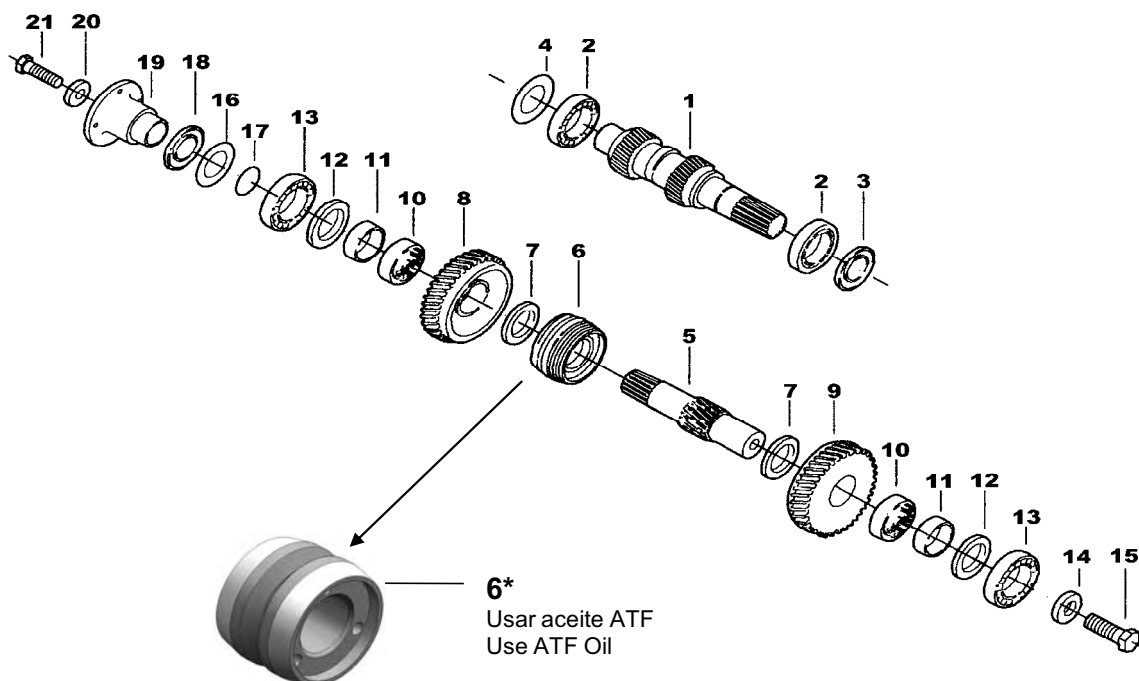
5\* SI LA TORICA VA MONTADA EN LA TAPA N°4 Y NO EN EL EJE N° 7

5\* IS REQUIRED IF O-RING IS ASSEMBLED IN COVER N°4 NOT IN SHAFT N° 7

LA JOINT TÔRIQUE N° 5 \* EST EXIGÉ SI EST ASSEMBLÉ DANS LA COUVERTURE N°4 PAS DANS L'AXE N° 7



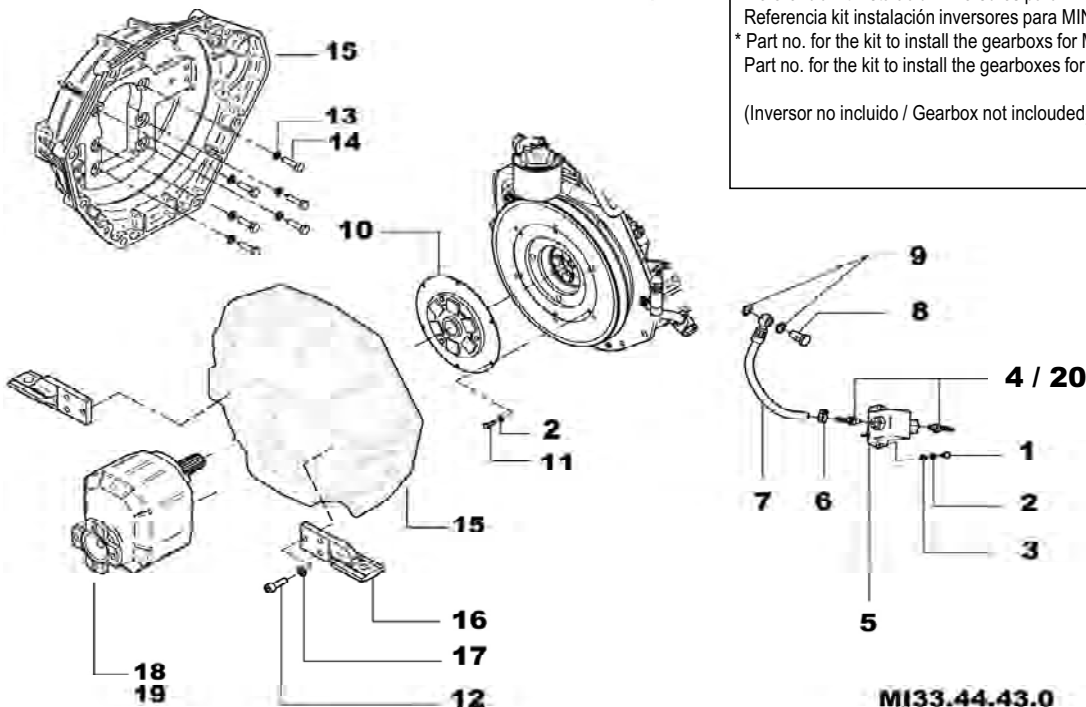
| EJES PRIMARIO Y SECUNDARIO<br>GEARBOX INPUT & OUTPUT SHAFT<br>ARBRES PRIMAIRE ET SECONDAIRE INVERSEUR |          |     |          |     | ( SMI-R3)                    | MI33-44.40.0             |                           |
|---|----------|-----|----------|-----|------------------------------|--------------------------|---------------------------|
| FIG.  | REF.     |     |          |     | DESCRIPCIÓN                  | DESCRIPTION              | DÉSIGNATION               |
|   | MINI-33  | QTY | MINI-44  | QTY |                              |                          |                           |
| 1   | 25713101 | 1   | 25713101 | 1   | EJE PRIMARIO RED.2:1         | SHAFT,IMPOT RAT.2:1      | ARBRE PRIMAIRE RED.2:1    |
| 1   | 25714101 | 1   | 25714101 | 1   | EJE PRIMARIO RED.2,5:1       | SHAFT,IMPOT RAT.2,5:1    | ARBRE PRIMAIRE RED.2,5:1  |
| 2   | 25710104 | 2   | 25710104 | 2   | RODAMIENTO                   | BEARING,ROLLER           | ROULEMENT                 |
| 3   | 25210103 | 1   | 25210103 | 1   | RETEN EJE PRIMARIO 30-52-7   | SEAL,oil 30-52-7         | JOINT D'ÉTANCHÉITÉ        |
| 4   | 25210110 | 1   | 25210110 | 1   | LAMINA DE REGLAJE 0,5 MM     | SHIM,adjusting 0,5 MM    | LAME DE RÉGLAGE 0,5 MM    |
| 4   | 25210109 | 1   | 25210109 | 1   | LAMINA DE REGLAJE 0,3 MM     | SHIM,adjusting 0,3 MM    | LAME DE RÉGLAGE 0,3 MM    |
| 4   | 25210108 | 1   | 25210108 | 1   | LAMINA DE REGLAJE 0,1 MM     | SHIM,adjusting 0,1 MM    | LAME DE RÉGLAGE 0,1 MM    |
| 4   | 25610109 | 1   | 25610109 | 1   | LAMINA DE REGLAJE 0,05       | SHIM,adjusting 0,05      | LAME DE RÉGLAGE 0,05      |
| 5   | 25410201 | 1   | 25410201 | 1   | EJE SECUNDARIO               | SHAFT,output             | ARBRE SECONDAIRE          |
| 6   | 25710202 | 1   | 25710202 | 1   | CONO EMBRAGUE                | CONE CLUTCH              | CONE EMBRAYAGE            |
| 7   | 25210217 | 2   | 25210217 | 2   | SEPARADOR RUEDA              | SPACER,gear              | SÉPARATEUR ROUE           |
| 8   | 25413257 | 1   | 25413257 | 1   | RUEDA POSTERIOR RED.2:1      | GEAR,rear red.2:1        | ROUE POSTERIEUR RED.2:1   |
| 8   | 25414257 | 1   | 25414257 | 1   | RUEDA POSTERIOR RED.2,5:1    | GEAR,rear red.2,5:1      | ROUE POSTERIEUR RED.2,5:1 |
| 9   | 25413253 | 1   | 25413253 | 1   | RUEDA ANTERIOR RED.2:1       | GEAR,front red.2:1       | ROUE ANTERIEUR RED.2:1    |
| 9   | 25414253 | 1   | 25414253 | 1   | RUEDA ANTERIOR RED.2,5:1     | GEAR,front red.2,5:1     | ROUE ANTERIEUR RED.2,5:1  |
| 10  | 25210204 | 2   | 25210204 | 2   | CASQUILLO DE AGUJAS          | BEARING,needle           | DOUILLE À AIGUILLE        |
| 11  | 25210205 | 2   | 25210205 | 2   | ANILLO INTERIOR              | RING,bearing             | ANNEAU                    |
| 12  | 25610218 | 2   | 25610218 | 2   | SEPARADOR RODAMIENTO         | SPACER,bearing           | SÉPARATEUR ROULEMENT      |
| 13  | 25210206 | 2   | 25210206 | 2   | RODAMIENTO                   | BEARING,roller           | ROULEMENT                 |
| 14  | 25410219 | 1   | 25410219 | 1   | ARANDELA BLOCAJE DELANTERA   | WASHER blockage          | RONDELLE                  |
| 15  | 25410222 | 1   | 25410222 | 1   | TORNILLO BLOCAJE             | BOLT,blockage            | VIS                       |
| 16  | 25610209 | 1   | 25610209 | 1   | LAMINA DE REGLAJE 0,05       | SHIM,adjusting 0,05 MM   | LAME DE RÉGLAGE 0,05 MM   |
| 16  | 25210211 | 1   | 25210211 | 1   | LAMINA DE REGLAJE 0,1 MM     | SHIM,adjusting 0,1 MM    | LAME DE RÉGLAGE 0,1 MM    |
| 16  | 25210212 | 1   | 25210212 | 1   | LAMINA DE REGLAJE 0,3 MM     | SHIM,adjusting 0,3 MM    | LAME DE RÉGLAGE 0,3 MM    |
| 16  | 25210213 | 1   | 25210213 | 1   | LAMINA DE REGLAJE 0,5 MM     | SHIM,adjusting 0,5 MM    | LAME DE RÉGLAGE 0,5 MM    |
| 16  | 25210215 | 1   | 25210215 | 1   | LAMINA DE REGLAJE 1 MM       | SHIM,adjusting 1 MM      | LAME DE RÉGLAGE 1 MM      |
| 17  | 25210231 | 1   | 25210231 | 1   | JUNTA TORICA 29,5-1,5        | O RING 29,5-1,5          | JOINT TORIQUE 29,5-1,5    |
| 18  | 25210214 | 1   | 25210214 | 1   | RETEN EJE SECUNDARIO 40-52-7 | SEAL,oil 40-52-7         | JOINT D'ÉTANCHÉITÉ        |
| 19  | 25210230 | 1   | 25210230 | 1   | BRIDA SALIDA INVERSOR        | FLANGE,output            | BRIDE                     |
| 20  | 25210219 | 1   | 25210219 | 1   | ARANDELA BLOCAJE DELANTERA   | WASHER,blockage          | RONDELLE                  |
| 21  | 53102359 | 1   | 53102359 | 1   | TORNILLO DIN 933 M12-30 12.9 | BOLT DIN 933 M12-30 12.9 | VIS DIN 933 M12-30 12.9   |



| KIT ADAPTACION PARA INVERSOR<br>ADAPTOR KIT FOR MECHANICAL GEARBOX<br>KIT D'ADAPTATION INVERSEUR |           |     |           |     | TWIN DISC TECHNODRIVE<br>TMC-40 / KANZAKI | MI33-44.41.0                  |  |
|--|-----------|-----|-----------|-----|---|-------------------------------|--|
| FIG.   | REF.      |     |           |     | DESCRIPCIÓN                               | DESCRIPTION                   | DÉSIGNATION                            |
|  | MINI-33   | QTY | MINI-44   | QTY |   |                               |  |
| 1  | 52102154  | 2   | 52102154  | 2   | TORNILLO DIN 933 M6-10 8.8                | BOLT DIN 933 M6-10 8.8        | VIS DIN 933 M6-10 8.8                  |
| 2  | 53033006  | 8   | 53033006  | 8   | ARANDELA GROWER DIN 127-6                 | WASHER GROWER DIN 127-6       | RONDELLE                               |
| 3  | 51030006  | 2   | 51030006  | 2   | ARANDELA ACERO DIN 125-6                  | WASHER DIN 125-6              | RONDELLE                               |
| 4**  | 13814072  | 2   | 13814072  | 2   | RACORD                                    | NIPPLE EYE                    | RACORD                                 |
| 5  | 13814070  | 1   | 13814070  | 1   | BOMBA ALIMENTACION ELECTRICA              | ELECTRIC FUEL FEED PUMP       | POMPE À ALIMENTATION ÉLECTRIQUE        |
| 5C   | 13814070C | 1   | 13814070C | 1   | CONJUNTO BOMBA ALIM.ELECTRICA             | PUMP ASSY, FUEL               | ENSEMBLE POMPE ALIMENTATION ELECTRIQUE |
| 6  | 54081008  | 1   | 54081008  | 1   | ABRAZ.DIN 3017 8-16/9 W4                  | CLAMP DIN 3017 8-16 W4        | COLLIER DIN 3017 8-16 W4               |
| 7  | 13814012  | 1   | 13814012  | 1   | TUBO DE BOMBA A FILTRO                    | PIPE                          | TUYAU                                  |
| 8  | 12814051  | 1   | 12814051  | 1   | TORNILLO HUECO                            | SCREW,eye                     | VIS CREUX                              |
| 9  | 57000369  | 2   | 57000369  | 2   | ARANDELA ALUMINIO 14-20-1,5               | WASHER 14,2-20-1,5            | RONDELLE                               |
| 10   | 13810040  | 1   | 17310070  | 1   | ACOPLAMIENTO ELASTICO                     | COUPLING,damper               | ACCOUPLLEMENT ÉLASTIQUE                |
| 11   | 52102156  | 6   | 52102156  | 6   | TORNILLO DIN 933 M6-15 8.8                | BOLT DIN 933 M6-15 8.8        | VIS DIN 933 M6-15 8.8                  |
| 12   | 52103309  | 6   | 52103309  | 6   | TORNILLO DIN 912 M10-30 8.8               | BOLT DIN 912 M10-30 8.8       | VIS DIN 912 M10-30 8.8                 |
| 13   | 53038008  | 6   | 53038008  | 6   | ARANDELA DIN 6798-A 8                     | WASHER DIN 6798-A 8           | RONDELLE                               |
| 14   | 52102259  | 6   | 52102259  | 6   | TORNILLO DIN 933 M8-30 8.8                | BOLT DIN 933 M8-30 8.8        | VIS DIN 933 M8-30 8.8                  |
| 15   | 17210009  | 1   | 17210009  | 1   | CALA ACOPLAMIENTO INVERSOR                | BELL HOUSING,GEAR BOX         | SONDAGE ACCOUP. INV.                   |
| 16   | 17210010  | 2   | 17210010  | 2   | SOPORTE POSTERIOR                         | REAR BRACKET                  | SUPPORT POSTERIEUR                     |
| 17   | 53033010  | 6   | 53033010  | 6   | ARANDELA GROWER DIN 127-10                | WASHER GROWER DIN 127-10      | RONDELLE                               |
| 18   | 24863000  | 1   | ---       | --- | INVERSOR TMC-40M R. 2:1                   | GEAR BOX TMC-40M R. 2:1       | INVERSEUR TMC-40M R. 2:1               |
| 18 (*)   | 24863000P | 1   | ---       | --- | INVERSOR TMC-40P R.2,00                   | GEAR BOX TMC-40P R.2,00       | INVERSEUR TMC-40P R.2,00               |
| 19   | 24912000  | --- | 24912000  | 1   | INVERSOR TTMC35P-B4 R.1,96:1              | GEAR BOX TTMC35P-B4 R.1,96:1  | INVERSEUR TTMC35P-B4 R.1,96:1          |
| 19   | 24914000  | --- | 24914000  | 1   | INVERSOR TTMC35P-B4 R.2,61:1              | GEAR BOX TTMC35P-B4 R.2,61:1  | INVERSEUR TTMC35P-B4 R.2,61:1          |
| 19   | 24913100  | 1   | 24913100  | 1   | INVERSOR TTMC35A2-B4 R.2,33:1             | GEAR BOX TTMC35A2-B4 R.2,33:1 | INVERSEUR TTMC35A2-B4 R.2,33:1         |
| 20   | 13814073  | 2   | 24913100  | 2   | ARANDELA                                  | WASHER                        | RONDELLE                               |

|    |  |                              |                            |                               |
|----|--|------------------------------|----------------------------|-------------------------------|
| 5C |  | CONJUNTO FIG. 5 + 2 x FIG. 4 | FIG.5 + 2 x FIG.4 ASSEMBLY | ENSEMBLÉ PARTS N°5 + 2 x FIG4 |
|----|--|------------------------------|----------------------------|-------------------------------|

(\*) nuevo inversor montado en motores MINI-33 producidos a partir 05-2007  
new gearbox fitted in MINI-33 engines produced from 05-2007  
nouvelle inverseur équipée dans des moteurs MINI-33 a produit a partir de 05-2007

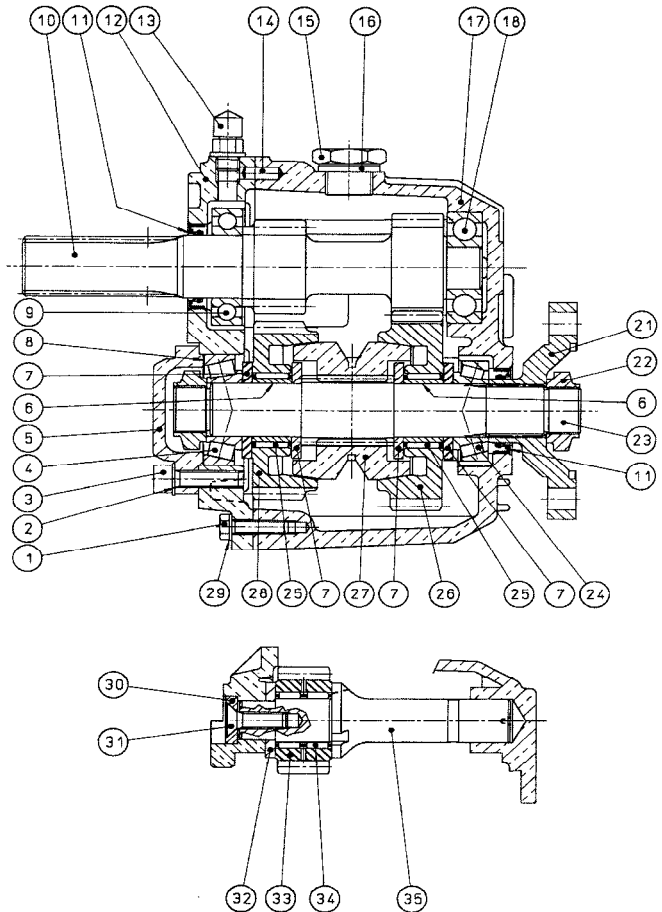
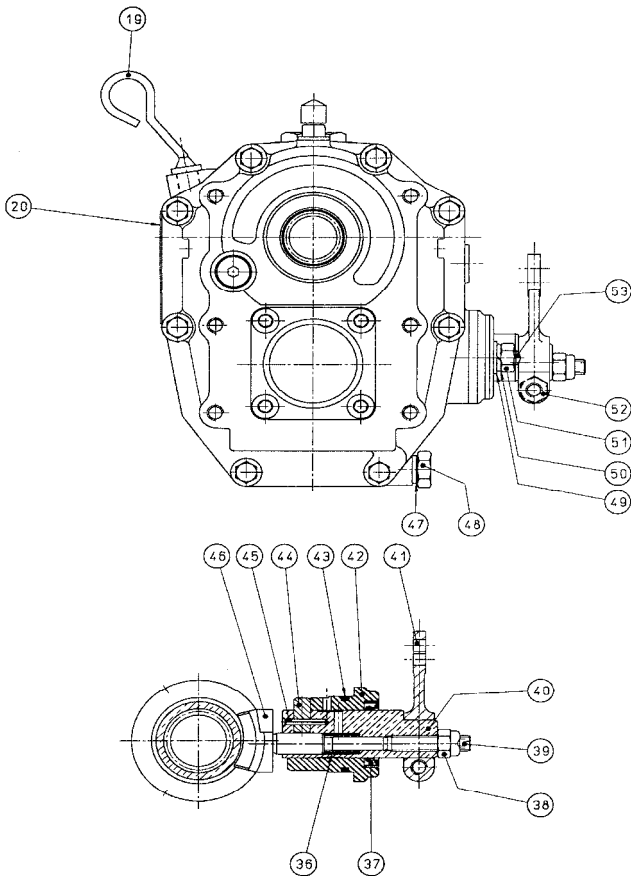


\* Referencia kit instalación inversores para MINI-33: 17210242  
Referencia kit instalación inversores para MINI-44: 17310243  
\* Part no. for the kit to install the gearboxes for MINI-33: 17210242  
Part no. for the kit to install the gearboxes for MINI-44: 17310243  
(Inversor no incluido / Gearbox not included)

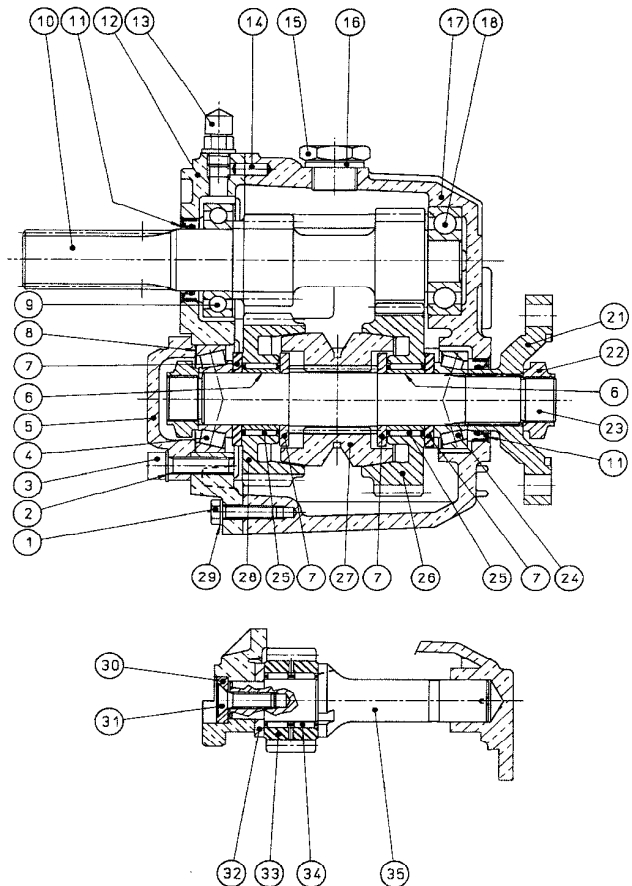
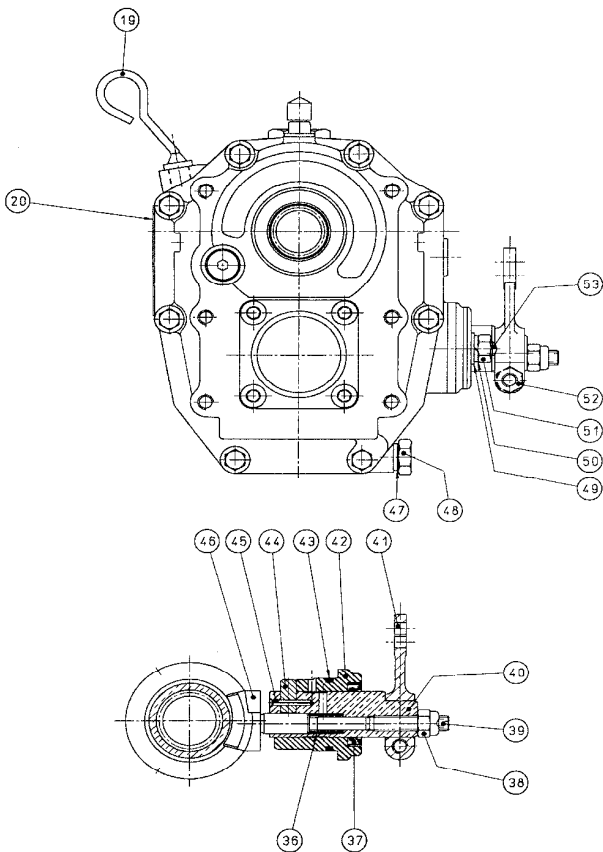
4\*\*

Ref. 13814072 para manguera de Ø8. Aplicable a partir de enero 2007. Para manguera de Ø6mm, pedir el racord con ref. 13814071  
*Racord with part no. 13814072 for hose Ø8mm. Available from January 2007. For install fuel hose with Ø6mm, order the racord with part. No. 13814071*

| COMPONENTES INVERSOR<br>REDUCER GEARBOX COMPONENTS<br>COMPONENTS DU INVERSEUR REDUCTEUR |          |     |         |     | TWIN DISC TECHNO DRIVE<br><b>TMC-40M</b> | MI33-44.41.0           |                          |
|---|----------|-----|---------|-----|--|------------------------|--------------------------|
| FIG.  | REF.     |     |         |     | DESCRIPCIÓN                              | DESCRIPTION            | DÉSIGNATION              |
|   | MINI-33  | QTY | MINI-44 | QTY |  |                        |                          |
| *   | 24860450 | 1   |         |     | JUEGO JUNTAS Y RETENES TMC40M            | KIT GASKETS            | JEU DE JOINTS            |
| 1   | 52102158 | 8   |         |     | TORNILLO DIN 933 M6-25 8.8               | BOLT DIN 933 M6-25 8.8 | VIS DIN 933 M6-25 8.8    |
| 2   | 24850093 | 4   |         |     | ARANDELA                                 | WASHER                 | RONDELLE                 |
| 3   | 52103259 | 4   |         |     | TORNILLO DIN 912 M8-30 8.8               | BOLT DIN 912 M8-30 8.8 | VIS DIN 912 M8-30 8.8    |
| 4   | 24860207 | 1   |         |     | RODAMIENTO                               | BEARING                | ROULEMENT                |
| 5   | 24860208 | 1   |         |     | TAPA                                     | COVER                  | COUVERCLE                |
| 6   | 24860205 | 2   |         |     | ANILLO INTERIOR                          | CAGE                   | ANNEAU                   |
| 7   | 24860217 | 4   |         |     | ARANDELA                                 | SPACER                 | RONDELLE                 |
| 8   | 24860076 | 2   |         |     | SEPARADOR                                | SHIM                   | SEPARATEUR               |
| 9   | 24860105 | 1   |         |     | RODAMIENTO                               | BEARING                | ROULEMENT                |
| 10  | 24863101 | 1   |         |     | EJE PRIMARIO RED.2,00                    | INPUT SHAFT            | ESSIEU PRIMAIRE          |
| 10  | 24864101 | 1   |         |     | EJE PRIMARIO RED.2,60                    | INPUT SHAFT            | ESSIEU PRIMAIRE          |
| 11  | 24860103 | 2   |         |     | RETEN                                    | OIL SEAL               | JOINT D'ÉTANCHÉITÉ       |
| 12  | 24860001 | 1   |         |     | CUERPO ANTERIOR                          | COVER                  | CORPS ANTERIEUR          |
| 13  | 24810065 | 1   |         |     | TAPON                                    | PLUG                   | BOUCHON                  |
| 14  | 24860023 | 2   |         |     | PASADOR                                  | PIN                    | GOUJON                   |
| 15  | 24830011 | 1   |         |     | TAPON                                    | PLUG                   | BOUCHON                  |
| 16  | 24810069 | 1   |         |     | ARANDELA                                 | WASHER                 | RONDELLE                 |
| 17  | 24860002 | 1   |         |     | CUERPO POSTERIOR                         | BOX                    | CORPS POSTERIEUR         |
| 18  | 24860104 | 1   |         |     | RODAMIENTO                               | BEARING                | ROULEMENT                |
| 19  | 24860008 | 1   |         |     | VARILLA NIVEL ACEITE                     | GAUGE                  | BAGUETTE NIVEAU D'HUILE  |
| 20  | 24850005 | 1   |         |     | CHAPA CARACTERISTICAS                    | PLATE, IDENTIFICATION  | FEUILLE CARACTERISTIQUES |
| 21  | 24860224 | 1   |         |     | BRIDA SALIDA INVERSOR                    | FLANGE OUTPUT          | BRIDE SORTIE INVERSEUR   |
| 22  | 24860222 | 2   |         |     | TUERCA                                   | NUT                    | ECROU                    |
| 23  | 24860201 | 1   |         |     | EJE SECUNDARIO                           | OUTPUT                 | ARBRE SECONDAIRE         |
| 24  | 24860206 | 1   |         |     | RODAMIENTO                               | BEARING                | ROULEMENT                |
| 25  | 24860204 | 2   |         |     | CASQUILLO DE AGUJAS                      | BEARING                | DOUILLE À AIGUILLE       |

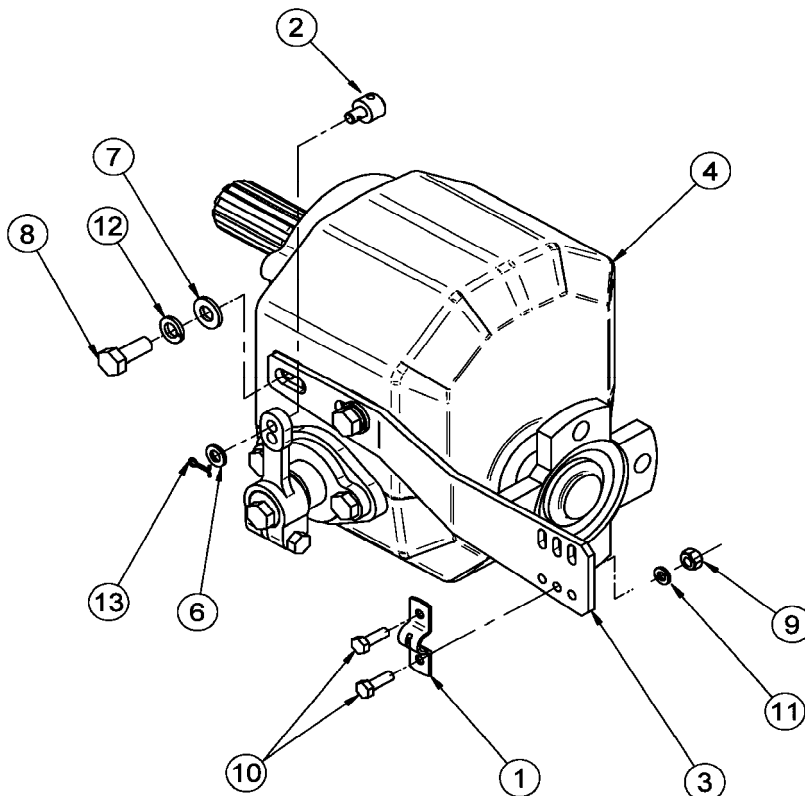


| COMPONENTES INVERSOR<br>REDUCER GEARBOX COMPONENTS<br>COMPONENTS DU INVERSEUR REDUCTEUR |          |     |         |     | TWIN DISC TECHNODRIVE<br><b>TMC-40M</b> | MI33-44.42.0             |                            |
|---|----------|-----|---------|-----|---|--------------------------|----------------------------|
| FIG.  | REF.     |     |         |     | DESCRIPCIÓN                             | DESCRIPTION              | DÉSIGNATION                |
|   | MINI-33  | QTY | MINI-44 | QTY |   |                          |                            |
| 26  | 24860210 | 1   |         |     | ENGRANAJE                               | GEAR                     | ENGRENAGE                  |
| 26  | 24863203 | 1   |         |     | ENGRANAJE R.2,00                        | GEAR R.2,00              | ENGRENAGE R.2,00           |
| 26  | 24864203 | 1   |         |     | ENGRANAJE R.2,60                        | GEAR R.2,60              | ENGRENAGE R.2,60           |
| 27  | 24860202 | 1   |         |     | CONO EMBRAGUE                           | CLUTCH                   | CONE EMBRAYAGE             |
| 28  | 24860210 | 1   |         |     | ENGRANAJE                               | GEAR                     | ENGRENAGE                  |
| 29  | 24860092 | 8   |         |     | ARANDELA                                | WASHER                   | RONDELLE                   |
| 30  | 24860307 | 1   |         |     | ARANDELA                                | WASHER                   | RONDELLE                   |
| 31  | 52105258 | 1   |         |     | TORNILLO DIN 7991 M8-25 10.9            | BOLT DIN 7991 M8-25 10.9 | VID DIN 7991 M8-25 10.9    |
| 32  | 24860304 | 1   |         |     | SEPARADOR                               | SPACER                   | RONDELLE                   |
| 33  | 24860302 | 1   |         |     | PIÑON INTERMEDIO                        | GEAR                     | PIGNON INTERMEDIAIRE       |
| 34  | 24860306 | 2   |         |     | CASQUILLO DE AGUJAS                     | BEARING                  | DOUILLE À AIGUILLE         |
| 35  | 24860301 | 1   |         |     | EJE INTERMEDIO                          | INTERMEDIATE SHAFT       | ARBRE INTERMEDIAIRE        |
| 36  | 24860411 | 1   |         |     | MUELLE MANDO                            | SPRING                   | RESSORT                    |
| 37  | 24860404 | 1   |         |     | RETEN                                   | OIL SEAL                 | JOINT D'ÉTANCHÉITÉ         |
| 38  | 51123008 | 1   |         |     | TUERCA DIN 985 M8 5.6                   | NUT DIN 985 M8 5.6       | ECROU DIN 985 M8 5.6       |
| 39  | 24860409 | 1   |         |     | TORNILLO                                | BOLT                     | VIS                        |
| 40  | 24860402 | 1   |         |     | EXCENTRICA MANDO                        | SHAFT                    | EXCENTRIQUE COMMANDE       |
| 41  | 24810424 | 1   |         |     | PALANCA                                 | LEVER                    | LEVIER                     |
| 42  | 24860401 | 1   |         |     | CUERPO MANDO                            | COVER                    | CORP                       |
| 43  | 24860417 | 1   |         |     | JUNTA TORICA                            | O-RING                   | JOINT TORIQUE              |
| 44  | 24860419 | 1   |         |     | PASADOR                                 | PIN                      | GOUJON                     |
| 45  | 53052310 | 1   |         |     | PASADOR ELAST.DIN 1481 4-20             | PIN DIN 1481 4-20        | GOUJON ELAST.DIN 1481 4-20 |
| 46  | 24860423 | 1   |         |     | DEDO MANDO                              | PAD                      | DOIGT COMMANDE             |
| 47  | 24810063 | 2   |         |     | ARANDELA PLANA                          | PLANE WASHER             | RONDELLE PLANE             |
| 48  | 24850011 | 1   |         |     | TAPON VACIADO ACEITE                    | PLUG, OIL DRAIN          | BOUCHON MOULAGE HUILE      |
| 49  | 24810530 | 2   |         |     | ARANDELA                                | WASHER                   | RONDELLE                   |
| 50  | 24810014 | 2   |         |     | ARANDELA                                | WASHER                   | RONDELLE                   |
| 51  | 52120008 | 2   |         |     | TUERCA DIN 934 M8 8.8 (C.10)            | NUT DIN 934 M8 8.8       | ECROU DIN 934 M8 8.8       |
| 52  | 52102258 | 1   |         |     | TORNILLO DIN 933 M8-25 8.8              | BOLT DIN 933 M8-25 8.8   | VIS DIN 933 M8-25 8.8      |
| 53  | 24860071 | 2   |         |     | ESPARRAGO                               | SCREW STUD               | ENTRETOISE                 |



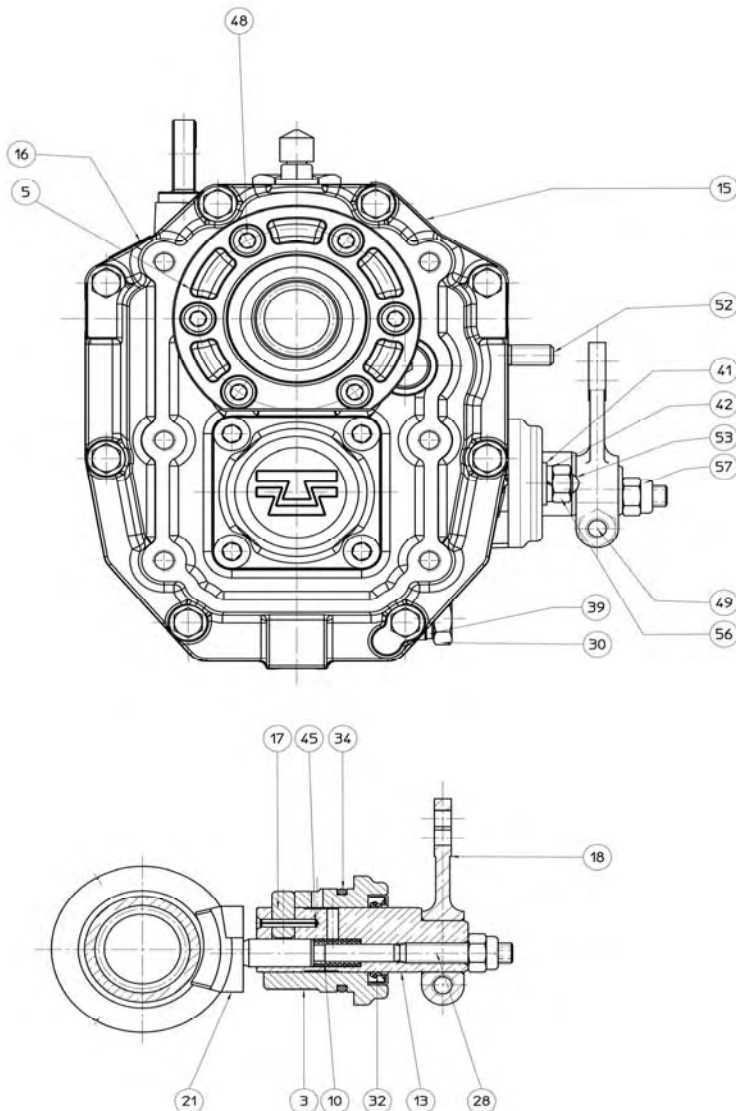


| COMPONENTES INVERSOR<br>REDUCER GEARBOX COMPONENTS<br>COMPONENTS DU INVERSEUR REDUCTEUR |          |     |         |     | TWIN DISC TECHNODRIVE<br><b>TMC-40M</b> | MI17-26-29.32.0           |                               |
|---|----------|-----|---------|-----|---|---------------------------|-------------------------------|
| FIG.  | REF.     |     |         |     | DESCRIPCIÓN                             | DESCRIPTION               | DÉSIGNATION                   |
|   | MINI-33  | QTY | MINI-44 | QTY |   |                           |                               |
| 1   | 24810913 | 1   |         |     | BRIDA FIJACION CABLE                    | CLAMP,CABLE               | BRIDE FIXATION CABLE          |
| 2   | 14719115 | 1   |         |     | TERMINAL CABLE                          | COUPLING,cable            | TERMINAL CABLE                |
| 3   | 24810901 | 1   |         |     | SOPORTE MORSE INVERSOR                  | BRACKET, GEAR BOX CONTROL | SUPPORT MORSE INVERSEUR       |
| 4   | 24863000 | 1   |         |     | INVERSOR TMC-40M R. 2:1                 | GEARBOX TMC-40M R. 2:1    | INVERSEUR TMC-40M R. 2:1      |
| 4*  | 24864000 | 1   |         |     | INVERSOR TMC-40M R. 2.6:1               | GEARBOX TMC-40M R. 2.6:1  | INVERSEUR TMC-40M R. 2.6:1    |
| 6   | 51030006 | 1   |         |     | ARANDELA ACERO DIN 125-6                | WASHER DIN 125-6          | RONDELLE                      |
| 7   | 51030008 | 2   |         |     | ARANDELA ACERO DIN 125-8                | WASHER DIN 125-8          | RONDELLE PLATE DIN 125-8      |
| 8   | 52102256 | 2   |         |     | TORNILLO DIN 933 M8-15 8.8              | BOLT DIN 933 M8-15 8.8    | VIS DIN 933 M8-15 8.8         |
| 9   | 52120005 | 2   |         |     | TUERCA DIN 934 M5 8.8 (C.10)            | NUT DIN 934 M5 8.8        | ECROU DIN 934 M5 8.8          |
| 10  | 52102106 | 2   |         |     | TORNILLO DIN 933 M5-15 8.8              | BOLT DIN 933 M5-15 8.8    | VIS DIN 933 M5-15 8.8         |
| 11  | 53033005 | 2   |         |     | ARANDELA GROWER DIN 127-5               | WASHER GROWER DIN 127-5   | RONDELLE                      |
| 12  | 53033008 | 2   |         |     | ARANDELA GROWER DIN 127-8               | WASHER GROWER DIN 127-8   | ROND.ÉLAST.GROWER DIN 127-8   |
| 13  | 51051107 | 1   |         |     | PASADOR ALETAS DIN-94 1,6-16            | PIN DIN-94 1,6-16         | GOUJON AILETTES DIN-94 1,6-16 |
|   |          |     |         |     |   |                           |                               |
|   |          |     |         |     |   |                           |                               |
|   |          |     |         |     |   |                           |                               |
|   |          |     |         |     |   |                           |                               |



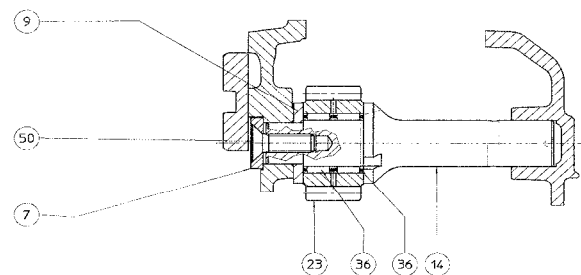
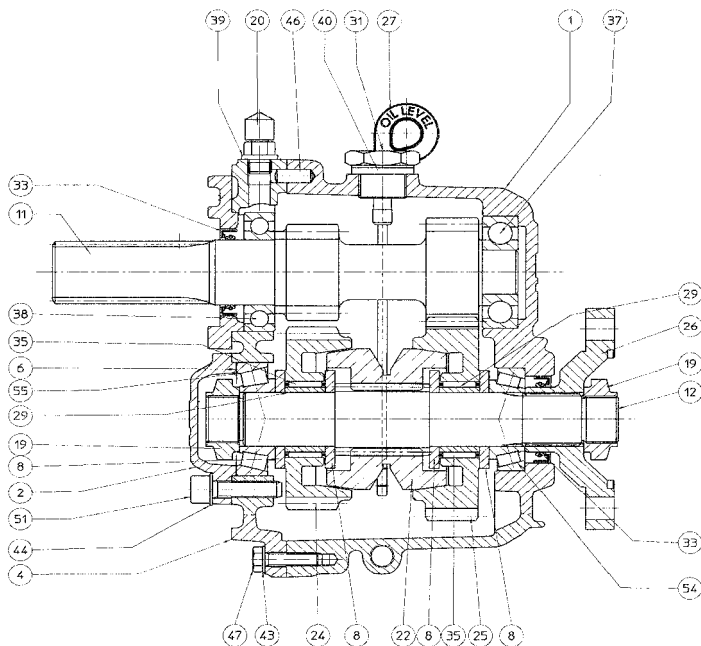
MINI17-26.32.0

| COMPONENTES INVERSOR<br>REDUCER GEARBOX COMPONENTS<br>COMPONENTS DU INVERSEUR REDUCTEUR |           |     |         |     | TWIN DISC TECHNO DRIVE<br><b>TMC-40P</b> | MI17-26-29.37.0        |                            |
|---|-----------|-----|---------|-----|--|------------------------|----------------------------|
| FIG.  | REF.      |     |         |     | DESCRIPCIÓN                              | DESCRIPTION            | DÉSIGNATION                |
|   | MINI-33   | QTY | MINI-44 | QTY |  |                        |                            |
| 3   | 24860401  | 1   |         |     | CUERPO MANDO                             | COVER                  | CORP                       |
| 5   | 24860003P | 1   |         |     | TAPA ANTERIOR                            | COVER                  | COUVERCLE                  |
| 10  | 24860411  | 1   |         |     | MUELLE MANDO                             | SPRING                 | RESSORT                    |
| 13  | 24860402  | 1   |         |     | EXCENTRICA MANDO                         | SHAFT                  | EXCENTRIQUE COMMANDE       |
| 15  | 24850005  | 1   |         |     | CHAPA CARACTERISTICAS                    | PLATE, IDENTIFICATION  | FEUILLE CARACTERISTIQUES   |
| 16  | 24860006  | 1   |         |     | PLACA ACEITE ATF                         | ATF OIL PLATE          | PLAQUE HUILE ATF           |
| 17  | 24860419  | 1   |         |     | PASADOR                                  | PIN                    | GOUJON                     |
| 18  | 24810424  | 1   |         |     | PALANCA                                  | LEVER                  | LEVIER                     |
| 21  | 24860423  | 1   |         |     | DEDO MANDO                               | PAD                    | DOIGT COMMANDE             |
| 28  | 24860409  | 1   |         |     | TORNILLO                                 | BOLT                   | VIS                        |
| 30  | 24850011  | 1   |         |     | TAPON VACIADO ACEITE                     | PLUG, OIL DRAIN        | BOUCHON MOULAGE HUILE      |
| 32  | 24860404  | 1   |         |     | RETEN                                    | OIL SEAL               | JOINT D'ÉTANCHÉITÉ         |
| 34  | 24860417  | 1   |         |     | JUNTA TORICA                             | O-RING                 | JOINT TORIQUE              |
| 39  | 24810063  | 1   |         |     | ARANDELA PLANA                           | PLANE WASHER           | RONDELLE PLANE             |
| 41  | 24810530  | 2   |         |     | ARANDELA                                 | WASHER                 | RONDELLE                   |
| 42  | 24810014  | 2   |         |     | ARANDELA                                 | WASHER                 | RONDELLE                   |
| 45  | 53052210  | 1   |         |     | PASADOR ELAST.DIN 1481 3-20              | PIN DIN 1481 3-20      | GOUJON ELAST.DIN 1481 3-20 |
| 48  | 52103157  | 6   |         |     | TORNILLO DIN 912 M6-20 8.8               | BOLT DIN 912 M6-20 8.8 | VIS DIN 912 M6-20 8.8      |
| 49  | 52102258  | 1   |         |     | TORNILLO DIN 933 M8-25 8.8               | BOLT DIN 933 M8-25 8.8 | VIS DIN 933 M8-25 8.8      |
| 52  | 24860011P | 2   |         |     | ESPARRAGO                                | STUD                   | ENTRETOISE                 |
| 53  | 24860071  | 2   |         |     | ESPARRAGO                                | SCREW STUD             | ENTRETOISE                 |
| 56  | 24810515  | 2   |         |     | TUERCA M8                                | NUT M8                 | ECROU M8                   |
| 57  | 51123008  | 1   |         |     | TUERCA DIN 985 M8 5.6                    | NUT DIN 985 M8 5.6     | ECROU DIN 985 M8 5.6       |



MI17-26-29.37.0

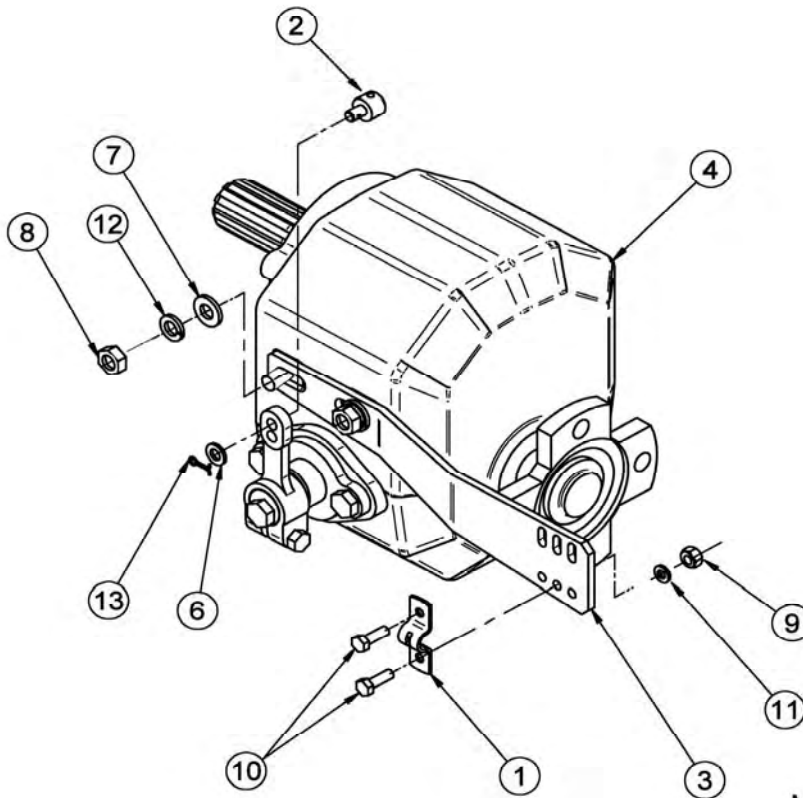
| COMPONENTES INVERSOR<br>REDUCER GEARBOX COMPONENTS<br>COMPONENTS DU INVERSEUR REDUCTEUR |           |     |         |     | TWIN DISC TECHNODRIVE<br><b>TMC-40P</b> | MI17.38.0<br>MI17.39.0   |                         |
|---|-----------|-----|---------|-----|---|--------------------------|-------------------------|
| FIG.  | REF.      |     |         |     | DESCRIPCIÓN                             | DESCRIPTION              | DÉSIGNATION             |
|   | MINI-33   | QTY | MINI-44 | QTY |   |                          |                         |
| 1   | 2486002P  | 1   |         |     | CUERPO POSTERIOR                        | BOX                      | CORPS POSTERIEUR        |
| 2   | 24860208  | 1   |         |     | TAPA                                    | COVER                    | COUVERCLE               |
| 4   | 24860001P | 1   |         |     | CUERPO ANTERIOR                         | COVER                    | CORPS ANTERIEUR         |
| 6   | 24860076  | 2   |         |     | SEPARADOR                               | SHIM                     | SEPARATEUR              |
| 7   | 24860307  | 1   |         |     | ARANDELA                                | WASHER                   | RONDELLE                |
| 8   | 24860217  | 4   |         |     | ARANDELA                                | SPACER                   | RONDELLE                |
| 9   | 24860304  | 1   |         |     | SEPARADOR                               | SPACER                   | RONDELLE                |
| 11  | 24863101  | 1   |         |     | EJE PRIMARIO RED.2,00                   | INPUT SHAFT              | ESSIEU PRIMAIRE         |
| 11  | 24864101  | 1   |         |     | EJE PRIMARIO RED.2,60                   | INPUT SHAFT              | ESSIEU PRIMAIRE         |
| 12  | 24860201  | 1   |         |     | EJE SECUNDARIO                          | OUTPUT                   | ARBRE SECONDAIRE        |
| 14  | 24860301  | 1   |         |     | EJE INTERMEDIO                          | INTERMEDIATE SHAFT       | ARBRE INTERMEDIAIRE     |
| 19  | 24860222  | 2   |         |     | TUERCA                                  | NUT                      | ECROU                   |
| 20  | 24810065  | 1   |         |     | TAPON                                   | PLUG                     | BOUCHON                 |
| 22  | 24860202  | 1   |         |     | CONO EMBRAGUE                           | CLUTCH                   | CONE EMBRAYAGE          |
| 23  | 24860302  | 1   |         |     | PIÑON INTERMEDIO                        | GEAR                     | PIGNON INTERMEDIAIRE    |
| 24  | 24860210  | 1   |         |     | ENGRANAJE                               | GEAR                     | ENGRENAGE               |
| 25  | 24863203  | 1   |         |     | ENGRANAJE R.2,00                        | GEAR R.2,00              | ENGRENAGE R.2,00        |
| 25  | 24864203  | 1   |         |     | ENGRANAJE R.2,60                        | GEAR R.2,60              | ENGRENAGE R.2,60        |
| 26  | 24860224  | 1   |         |     | BRIDA SALIDA INVERSOR                   | FLANGE OUTPUT            | BRIDE SORTIE INVERSEUR  |
| 27  | 24860008P | 1   |         |     | VARILLA NIVEL ACEITE                    | GAUGE                    | BAGUETTE NIVEAU D'HUILE |
| 29  | 24860205  | 2   |         |     | ANILLO INTERIOR                         | CAGE                     | ANNEAU                  |
| 31  | 24830011  | 1   |         |     | TAPON                                   | PLUG                     | BOUCHON                 |
| 33  | 24860103  | 2   |         |     | RETEN                                   | OIL SEAL                 | JOINT D'ÉTANCHÉITÉ      |
| 35  | 24860204  | 2   |         |     | CASQUILLO DE AGUJAS                     | BEARING                  | DOUILLE À AIGUILLE      |
| 36  | 24860306  | 2   |         |     | CASQUILLO DE AGUJAS                     | BEARING                  | DOUILLE À AIGUILLE      |
| 37  | 24860104  | 1   |         |     | RODAMIENTO                              | BEARING                  | ROULEMENT               |
| 38  | 24860105  | 1   |         |     | RODAMIENTO                              | BEARING                  | ROULEMENT               |
| 39  | 24810063  | 1   |         |     | ARANDELA PLANA                          | PLANE WASHER             | RONDELLE PLANE          |
| 40  | 56000083  | 1   |         |     | ARANDELA COBRE 21-26-1,5                | WASHER 21-26-1,5         | RONDELLE                |
| 43  | 24860092  | 8   |         |     | ARANDELA                                | WASHER                   | RONDELLE                |
| 44  | 24850093  | 4   |         |     | ARANDELA                                | WASHER                   | RONDELLE                |
| 46  | 24860023  | 2   |         |     | PASADOR                                 | PIN                      | GOUJON                  |
| 47  | 52102158  | 8   |         |     | TORNILLO DIN 933 M6-25 8.8              | BOLT DIN 933 M6-25 8.8   | VIS DIN 933 M6-25 8.8   |
| 50  | 52105258  | 1   |         |     | TORNILLO DIN 7991 M8-25 10.9            | BOLT DIN 7991 M8-25 10.9 | VID DIN 7991 M8-25 10.9 |
| 51  | 52103259  | 4   |         |     | TORNILLO DIN 912 M8-30 8.8              | BOLT DIN 912 M8-30 8.8   | VIS DIN 912 M8-30 8.8   |
| 54  | 24860206  | 1   |         |     | RODAMIENTO                              | BEARING                  | ROULEMENT               |
| 55  | 24860207  | 1   |         |     | RODAMIENTO                              | BEARING                  | ROULEMENT               |
| *   | 24860450  | 1   |         |     | JUEGO JUNTAS Y RETENES TMC40M           | KIT GASKETS              | JEU DE JOINTS           |



MI17.39.0

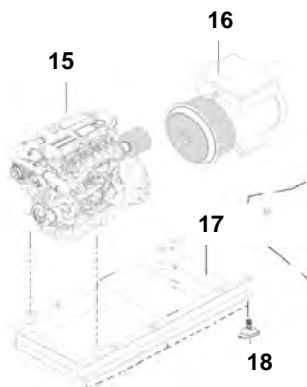
MI17.38.0

| COMPONENTES INVERSOR<br>REDUCER GEARBOX COMPONENTS<br>COMPONENTS DU INVERSEUR REDUCTEUR |           |     |         |     | TWIN DISC TECHNODRIVE<br><b>TMC-40P</b> | MI17.38.0<br>MI17.39.0    |                               |
|---|-----------|-----|---------|-----|---|---------------------------|-------------------------------|
| FIG.  | REF.      |     |         |     | DESCRIPCIÓN                             | DESCRIPTION               | DÉSIGNATION                   |
|   | MINI-33   | QTY | MINI-44 | QTY |   |                           |                               |
| 1   | 24810913  | 1   |         |     | BRIDA FIJACION CABLE                    | CLAMP,CABLE               | BRIDE FIXATION CABLE          |
| 2   | 14719115  | 1   |         |     | TERMINAL CABLE                          | COUPLING,cable            | TERMINAL CABLE                |
| 3   | 24810901  | 1   |         |     | SOPORTE MORSE INVERSOR                  | BRACKET, GEAR BOX CONTROL | SUPPORT MORSE INVERSEUR       |
| 4   | 24863000P | 1   |         |     | INVERSOR TMC-40P R.2,00                 | GEAR BOX TMC-40P R.2,00   | INVERSEUR TMC-40P R.2,00      |
| 4   | 24864000P | 1   |         |     | INVERSOR TMC-40P R.2,60                 | GEAR BOX TMC-40P R.2,60   | INVERSEUR TMC-40P R.2,60      |
| 6   | 51030006  | 1   |         |     | ARANDELA ACERO DIN 125-6                | WASHER DIN 125-6          | RONDELLE                      |
| 7   | 51030008  | 2   |         |     | ARANDELA ACERO DIN 125-8                | WASHER DIN 125-8          | RONDELLE PLATE DIN 125-8      |
| 8   | 52120008  | 2   |         |     | TUERCA DIN 934 M8 8.8 (C.10)            | NUT DIN 934 M8 8.8        | ECROU DIN 934 M8 8.8          |
| 9   | 52120005  | 2   |         |     | TUERCA DIN 934 M5 8.8 (C.10)            | NUT DIN 934 M5 8.8        | ECROU DIN 934 M5 8.8          |
| 10  | 52102106  | 2   |         |     | TORNILLO DIN 933 M5-15 8.8              | BOLT DIN 933 M5-15 8.8    | VIS DIN 933 M5-15 8.8         |
| 11  | 53033005  | 2   |         |     | ARANDELA GROWER DIN 127-5               | WASHER GROWER DIN 127-5   | RONDELLE                      |
| 12  | 53033008  | 2   |         |     | ARANDELA GROWER DIN 127-8               | WASHER GROWER DIN 127-8   | ROND.ÉLAST.GROWER DIN 127-8   |
| 13  | 51051107  | 1   |         |     | PASADOR ALETAS DIN-94 1,6-16            | PIN DIN-94 1,6-16         | GOUJON AILETTES DIN-94 1,6-16 |



MINI-17.29.29.40.0

| COMPONENTES PARA GRUPO ELECTROGENO<br>PARTS FOR GENERATOR SET ENGINE<br>PIÈCES POUR LE MOTEUR DE GROUPE ÉLECTROGÈNE |            |     |            |     |   | MI33-44.43.1                                 |  |
|---|------------|-----|------------|-----|---|--|--|
| PAG   | REF.       |     |            |     | DESCRIPCIÓN                                 | DESCRIPTION                                  | DÉSIGNATION                                  |
|   | MINI-33G   | QTY | MINI-44G   | QTY |   |  |  |
| 1   | 17221001G  | 1   | 17321001G  | 1   | CULATA COMPLETA (GRUPO)                     | HEAD ASSY, CYLINDER (GENERATOR)              | CULASSE COMPLET (GROUPE)                     |
| 1   | 17221015G  | 3   | 17221015G  | 4   | TAPON COMBUSTION (GRUPO)                    | JET, COMBUSTION (GENERATOR)                  | BOUCHON COMBUSTION (GROUPE)                  |
| 2   | 17222055G  | 3   | 17322055G  | 4   | VALVULA ADMISION (GRUPO)                    | VALVE, INLET (GENERATOR)                     | SOUPAPE ADMISSION (GROUPE)                   |
| 2   | 17222056G  | 3   | 17322056G  | 4   | VALVULA ESCAPE (GRUPO)                      | VALVE, EXHAUST (GENERATOR)                   | SOUPAPE ECHAPPEMENT (GROUPE)                 |
| 3   | 17220001G  | 1   | 17320001G  | 1   | CONJUNTO BLOQUE (GRUPO)                     | BLOCK ASSY, CYLINDER (GENERATOR)             | ENSEMBLE BANC (GROUPE)                       |
| 4   | -          | -   | 17322037G  | 1   | ENGRANAJE EJE DE LEVAS (GRUPO)              | GEAR, CAMSHAFT (GENERATOR)                   | ENGRENAGE ARBRE DE LEVIER (GROUPE)           |
| 4   | -          | -   | 17322043G  | 1   | ENGRAN.EJE BOMBA INYEC.(GRUPO)              | GEAR, INJECTION PUMP (GENERATOR)             | ENGRENAGE ESSIEU POMPE A INJ.(GROUPE)        |
| 4   | -          | -   | 17322038G  | 1   | PIÑON LOCO (GRUPO)                          | GEAR ASSY, IDLER (GENERATOR)                 | PIGNON FOU (GROUPE)                          |
| 4   | 17222066G  | 1   | 17322066G  | 1   | ENGRANAJE BOMBA AGUA (GRUPO)                | GEAR, PRESS. OIL PUMP (GENERATOR)            | ENGRENAGE POMPE EAU (GROUPE)                 |
| 5   | 17222001G  | 3   | 17222001G  | 4   | PISTON (GRUPO)                              | PISTON (GENERATOR)                           | PISTON (GROUPE)                              |
| 5   | 17222002G  | 3   | 17222002G  | 4   | PISTON + 0,25 (GRUPO)                       | PISTON + 0,25 (GENERATOR)                    | PISTON + 0,25 (GROUPE)                       |
| 5   | 17222003G  | 3   | 17222003G  | 4   | PISTON+ 0,50 (GRUPO)                        | PISTON + 0,50 (GENERATOR)                    | PISTON + 0,50 (GROUPE)                       |
| 5   | 17222006G  | 3   | 17222006G  | 4   | JUEGO DE AROS STD.(GRUPO)                   | RING SET, PISTON STD (GENERATOR)             | JEU D'ANNEAUX STD.(GROUPE)                   |
| 5   | 17222007G  | 3   | 17222007G  | 4   | JUEGO DE AROS + 0,25 (GRUPO)                | RING SET, PISTON +0,25 (GENERATOR)           | JEU D'ANNEAUX +0,25 (GROUPE)                 |
| 5   | 17222008G  | 3   | 17222008G  | 4   | JUEGO DE AROS + 0,50 (GRUPO)                | RING SET, PISTON +0,50 (GENERATOR)           | JEU D'ANNEAUX + 0,50 (GROUPE)                |
| 5   | 17222027G  | 3   | 17322027G  | 4   | CONJUNTO VOLANTE (GRUPO)                    | FLYWHEEL SUB ASSY (GENERATOR)                | ENSEMBLE VOLANT (GROUPE)                     |
| 5   | -          | -   | 17322021G  | 1   | PIÑON CIGÜEÑAL (GRUPO)                      | GEAR, CRANKSHAFT (GENERATOR)                 | PIGNON VILEBREQUIN (GROUPE)                  |
| 5   | 17220003G  | 1   | 17220003G  | 1   | CARCASA SOBRE VOLANTE (GRUPO)               | HOUSING FLYWHEEL (GENERATOR)                 | CARCASSE (GROUPE)                            |
| 7   | -          | -   | 17320030G  | 1   | CARTER DE ACEITE (GRUPO)                    | PAN ASSY, OIL (GENERATOR)                    | CARTER D'HUILE (GROUPE)                      |
| 9   | 37011200   | 1   | 37011200   | 1   | CONJUNTO BOMBA AGUA 1/2"                    | PUMP,water assy                              | ENS.POMPE EAU                                |
| 9   | 37011210   | 1   | 37011210   | 1   | EJE BOMBA AGUA                              | SHAFT,water pump                             | ARBRE POMPE EAU                              |
| 12  | -          | -   | 17324015G  | 1   | TUBO INYECCION N.1 (GRUPO)                  | PIPE, INJECTION N°1 (GENERATOR)              | TUYAU INJECTION N°1 (GROUPE)                 |
| 12  | -          | -   | 17324016G  | 1   | TUBO INYECCION N.2 (GRUPO)                  | PIPE, INJECTION N°2 (GENERATOR)              | TUYAU INJECTION N°2 (GROUPE)                 |
| 12  | -          | -   | 17324019G  | 1   | TUBO INYECCION N.3 (GRUPO)                  | PIPE, INJECTION N°3 (GENERATOR)              | TUYAU INJECTION N°3 (GROUPE)                 |
| 12  | -          | -   | 17324020G  | 1   | TUBO INYECCION N.4 (GRUPO)                  | PIPE, INJECTION N°4 (GENERATOR)              | TUYAU INJECTION N°4 (GROUPE)                 |
| 12  | 17224002G  | 1   | 17324002G  | 1   | TUBO SOBRADERO (GRUPO)                      | PIPE, FUEL LEAK OFF (GENERATOR)              | TUYAU (GROUPE)                               |
| 13  | 17225001G  | 1   | 17325001G  | 1   | BOMBA INYECTORA (GRUPO)                     | PUMP ASSY, FUEL INJECTION (GENERATOR)        | POMPE A INJECTION (GROUPE)                   |
| 13  | 17225008G  | 3   | 17325008G  | 1   | VALVULA SUMINISTRO (GRUPO)                  | VALVE SUB-ASSY (GENERATOR)                   | SOUPAPE FOURNITURE (GROUPE)                  |
| 13  | 17225009G  | 3   | 17325009G  | 4   | ELEMENTO BOMBA (GRUPO)                      | ELEMENT SUB ASSY (GENERATOR)                 | ELEMENT POMPE (GROUPE)                       |
| 13  | 17225058G  | 3   | 17325058G  | 4   | PLACA (GRUPO)                               | NAME PLATE (GENERATOR)                       | PLAQUE (GROUPE)                              |
| 14  | 17223000G  | 1   | 17323000G  | 4   | REGULADOR (GRUPO)                           | CASE ASSY, GOVERNOR (GENERATOR)              | REGULATEUR (GROUPE)                          |
| 14  | 17223044G  | 1   | -          | -   | MUELLE REGULADOR (GRUPO)                    | SPRING GOVERNOR (GENERATOR)                  | RESSORT REGULATEUR (GROUPE)                  |
| 14  | 17223007G  | 1   | 17223007G  | 1   | PALANCA DEL REGULADOR (GRUPO)               | LEVER, GOVERNOR (GENERATOR)                  | PALANQUE REGULATEUR (GROUPE)                 |
| 14  | 17223031G  | 1   | 17223031G  | 1   | MANGUITO (GRUPO)                            | SLEEVE, SLIDING (GENERATOR)                  | MANCHON (GROUPE)                             |
| 14  | 17223001G  | 1   | 17223001G  | 1   | CONJ. CONTRAPESO REGUL.(GRUPO)              | WEIGHT ASSY,GOVERNOR (GENERATOR)             | ENSEMBLE REGULATEUR (GROUPE)                 |
| 15  | 60572000   | 1   |            |     | MOTOR MINI-33 VERSION GRUPO, 12V, 1500 RPM  | MINI-33 ENGINE, GENSET VERSION, 12V 1500 RPM | MINI-33 MOTEUR, GENSET VERSION, 12V 1500 RPM |
| 15*   |            |     | 60573000   | 1   | MOTOR MINI-44 VERSION GRUPO, 12V, 1500 RPM  | MINI-44 ENGINE, GENSET VERSION, 12V 1500 RPM | MINI-44 MOTEUR, GENSET VERSION, 12V 1500 RPM |
| 16A   | 60511110.1 | 1   |            |     | ALT. 10 kVA MONOFASICO 230V, 1500 RPM       | GEN 10 kVA 1-PHASE 230V, 1500 RPM            | ALT. 10 kVA 1-PHASE 230V, 1500 RPM           |
| 16B   | 60511310.1 | 1   |            |     | ALT. 10 kVA TRIFASICO 400/230V, 1500 RPM    | GEN 10 kVA 3-PHASE 400/230V, 1500 RPM        | ALT. 10 kVA 3-PHASE 400V/230V, 1500 RPM      |
| 16C   |            |     | 60511116   | 1   | ALTERNADOR 15 kVA MONOFASICO 230V, 1500 RPM | GEN 15 kVA 1-PHASE 230V, 1500 RPM            | ALT. 15 kVA 1-PHASE 230V, 1500 RPM           |
| 16D   |            |     | 60511315.1 | 1   | ALT. 15 kVA TRIFASICO 400V/230V, 1500 RPM   | GEN 15 kVA 3-PHASE 400/230V, 1500 RPM        | ALT. 15 kVA 3-PHASE 400V/230V, 1500 RPM      |
| 17  | 60572010   | 1   |            |     | CHASIS GRUPO G10M15 / G10T15                | BED GENSET G10M15 / G10T15                   | BANCADE G. ELECT. G10M15 / G10T15            |
| 17A   |            |     | 60573010   | 1   | CHASIS GRUPO G15M15 / G15T15                | BED GENSET G15M15 / G15T15                   | BANCADE G. ELECT. G15M15 / G15T15            |
| 18  | 61651000   | 6   | 61651000   | 6   | SUSPENSORES                                 | FLEXIBLE MOUNTINGS                           | SILENTBLOCKS                                 |

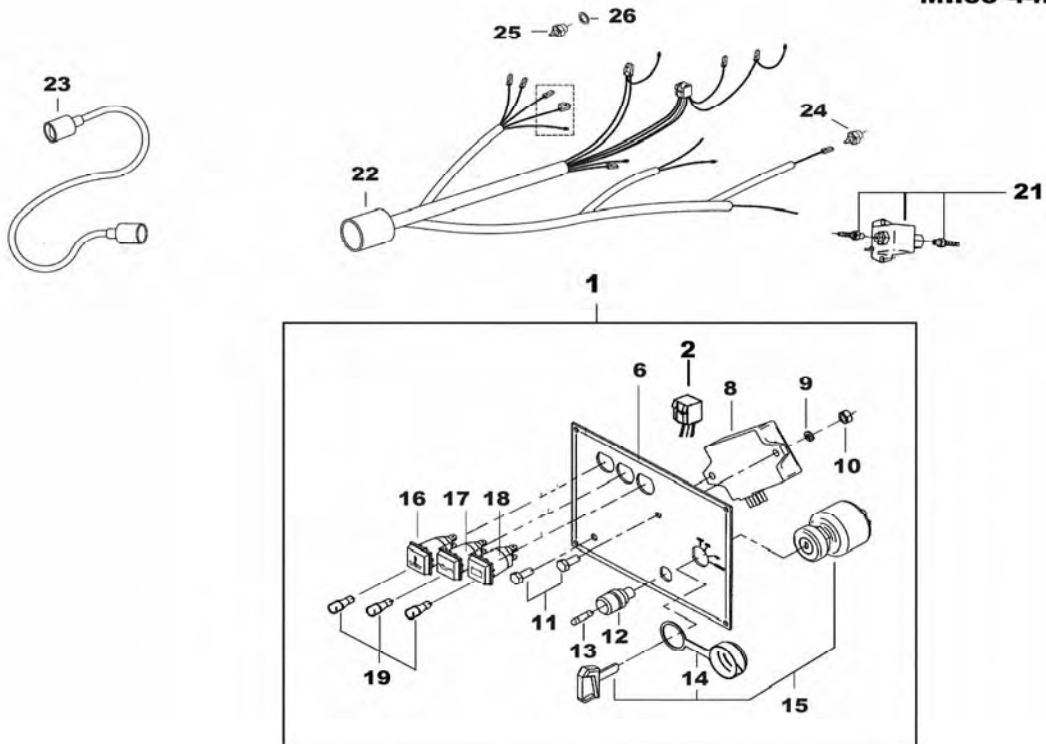


NOTA / COMMENTS:

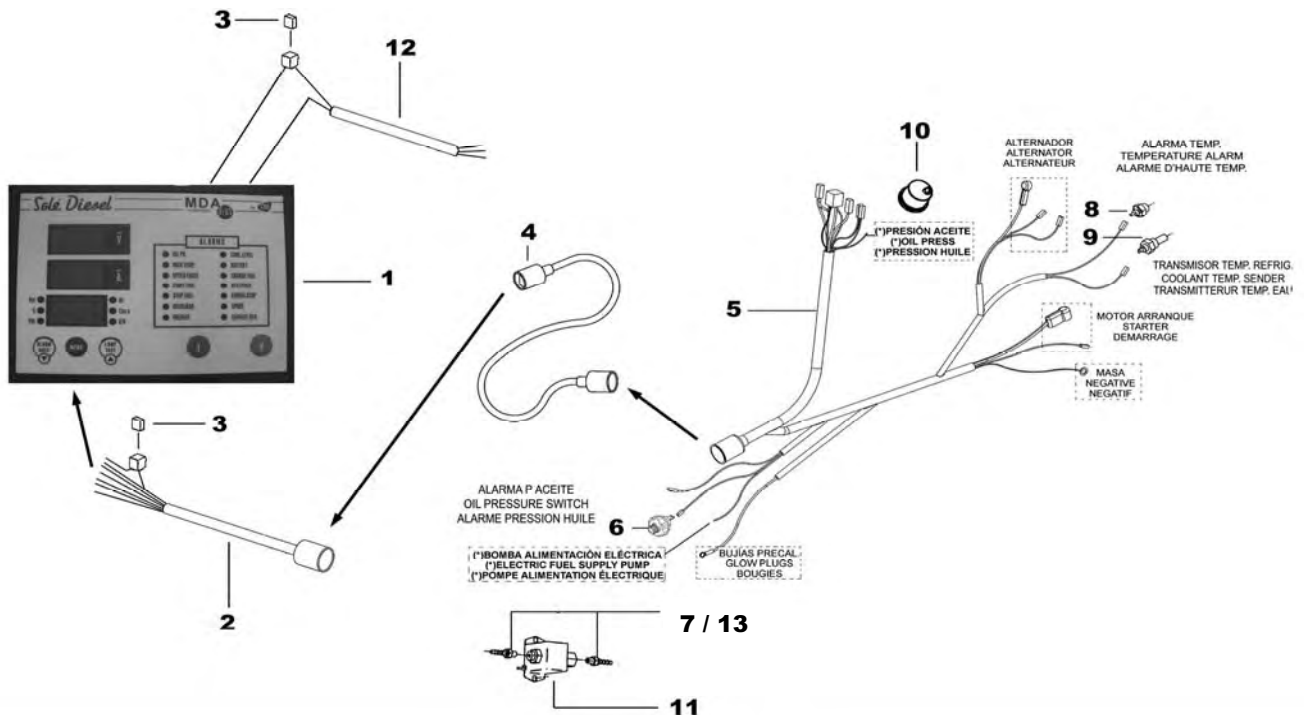
- Resto de componentes, consultar en este despiece la version marino.
- Other parts, check in this part list the marine version.

| INSTALACION ELECTRICA GRUPO ELECTROGENO<br>ELECTRICAL WIRING GENERATOR SET<br>INSTALLATION ELECTRIQUE GROUPE ÉLECTROGÈNE |            |     |            |     |                                | MI33-44.44.0                    |  |
|--|------------|-----|------------|-----|--------------------------------|---------------------------------|--|
| PAG  | REF.       |     |            |     | DESCRIPCIÓN                    | DESCRIPTION                     | DÉSIGNATION                            |
|  | MINI-33G   | QTY | MINI-44G   | QTY |                                |                                 |  |
| 1  | 60972050   | 1   | 60972050   | 1   | CUADRO GRUPO ELECTRICO         | ELECTRICAL PANEL GET SET        | TABEAU ELECT. GROUPE                   |
| 2  | 60580005   | 1   | 60580005   | 1   | RELE 12V 20/30A.               | RELAY 12V 20/30A.               | RELAIS 12V 20/30A.                     |
| 6  | 60905001.1 | 1   | 60905001.1 | 1   | TABLERO CUADRO GRUPO ELECTRICO | PANEL,GENERATOR SET             | TABEAU GROUP ELEC.                     |
| 8  | 60905006   | 1   | 60905006   | 1   | CONTROL DE PARO MINI-33/44/62  | UNIT ASSY CONTROL MINI-33/44/62 | CONTROLE DE ARRET MINI-33/44/62        |
| 9  | 53033006   | 2   | 53033006   | 2   | ARANDELA GROWER DIN 127-6      | WASHER GROWER DIN 127-6         | RONDELLE                               |
| 10   | 55120006   | 2   | 55120006   | 2   | TUERCA DIN 934 M6 LATON        | NUT DIN 934 M6                  | ECROU DIN 934 M6 LAITON                |
| 11   | 54102156   | 2   | 54102156   | 2   | TORNILLO DIN 933 M6-16 INOX.   | BOLT DIN 933 M6-16 INOX         | VIS DIN 933 M6-16 INOX.                |
| 12   | 60900121   | 1   | 60900121   | 1   | PORTAFUSIBLES CUADRO           | FUSEHOLDER, panel               | PORTE-FUSIBLES TABLEAU                 |
| 13   | 60900118   | 1   | 60900118   | 1   | FUSIBLE 10 A. CRISTAL          | FUSE 10 A.                      | FUSIBLE 10 A.                          |
| 14   | 60900035   | 1   | 60900035   | 1   | PROTECTOR LLAVE CONTACTO       | COVER,key                       | PROTECTEUR CLÉ CONTACT                 |
| 15   | 60900031   | 1   | 60900031   | 1   | LLAVE CONTACTO PRECALEN.4 POS. | KEY-LOCKING SWITCH              | CLÉ CONTACT                            |
| 16   | 60900051A  | 1   | 60900051A  | 1   | LAMPARA CONTROL CARGA BATERIA  | LAMP, charge                    | TÉRMOIN CONTROLE                       |
| 17   | 60900050A  | 1   | 60900050A  | 1   | LAMPARA CONTROL PRESION ACEITE | LAMP, oil press.                | TÉRMOIN CONTROLE                       |
| 18   | 60900052A  | 1   | 60900052A  | 1   | LAMPARA CONTROL TEMPERAT.AGUA  | LAMP, water temp.               | TÉRMOIN CONTROLE                       |
| 19   | 60900045A  | 3   | 60900045A  | 3   | LAMPARA DE 12V 3W              | BULB 12V 3W                     | TÉRMOIN 12V 3W                         |
| 20   |            |     |            |     |                                |                                 |  |
| 21   | 13814070C  | 1   | 13814070C  | 1   | CONJUNTO BOMBA ALIM.ELECTRICA  | PUMP ASSY, FUEL                 | ENSEMBLE POMPE ALIMENTATION ELECTRIQUE |
| 22   | 60972500R  | 1   | 60972500R  | 1   | INSTALACION ELECTRICA          | ELECTRICAL WIRING               | INSTALLATION ELECTRIQUE                |
| 23   | 60938210   | 1   | 60938210   | 1   | ALARGO 3 m                     | HARNESS EXTENSION 3 M           | RALLONGE 3 M                           |
| 24   | 60900076   | 1   | 60900076   | 1   | MANOCONTACTO 0,3 KGS           | SWITCH, oil press               | MAINCONTACT                            |
| 25   | 60900070   | 1   | 60900070   | 1   | TERMOCONTACTO 97°C             | THERMO-SWITCH                   | THERMOCONTACT                          |
| 26   | 56000073   | 1   | 56000073   | 1   | ARANDELA COBRE 16-23-1,5       | WASHER 16-23-1,5                | RONDELLE                               |
| 27   | 17224025G  | 1   | 17224025G  | 1   | PARO ELECTRICO (GRUPO)         | SOLENOID & NUT SET (GENERATOR)  | ARRET ELECTRIQUE (GROUPE)              |
|  |            |     |            |     |                                |                                 |  |

MI.33-44.44.0



| INSTALACION ELECTRICA GRUPO ELECTROGENO - MONOFASICO<br>ELECTRICAL WIRING GENERATOR SET - 1 PHASE<br>INSTALLATION ELECTRIQUE GROUPE ÉLECTROGÈNE - 1 PHASE |           |     |           |     |                                       | MI33-44.45.0                    |                                 |
|---|-----------|-----|-----------|-----|---------------------------------------|---------------------------------|---------------------------------|
| PAG   | REF.      |     |           |     | DESCRIPCIÓN                           | DESCRIPTION                     | DÉSIGNATION                     |
|   | MINI-33G  | QTY | MINI-44G  | QTY |                                       |                                 |                                 |
| 1   | 60972220M | 1   | 60973220M | 1   | CUADRO DIGITAL GRUPO - 220V           | ELECTRICAL PANEL GET SET - 220V | TABLEAU ELECT. GROUPE - 220V    |
| 2   | 60972063  | 1   | 60972063  | 1   | INSTALACION ELECTRICA                 | ELECTRICAL WIRING               | INSTALLATION ELECT.             |
| 3   | 60900128  | 2   | 60900128  | 2   | FUSIBLE PLANO 5A                      | FUSE 5A                         | FUSIBLE 5A                      |
| 4   | 60938210  | 1   | 60938210  | 1   | ALARGO 3 m                            | HARNESS EXTENSION 3 M           | RALLONGE 3 M                    |
| 5   | 60972500R | 1   | 60972500R | 1   | INSTALACION ELECTRICA                 | ELECTRICAL WIRING               | INSTALLATION ELECT.             |
| 6   | 17127027  | 1   | 17127027  | 1   | MANOCONTACTO                          | SWITCH, oil pressure            | MAINCONTACT                     |
| 7**   | 13814072  | 2   | 13814072  | 2   | RACORD                                | NIPPLE EYE                      | RACORD                          |
| 8   | 60900070  | 1   | 60900070  | 1   | TERMOCONTACTO 97°C                    | THERMO-SWITCH                   | THERMOCONTACT                   |
| 9   | 60900980  | 1   | 60900980  | 1   | TRANSMISOR TEMP. 5/8"-UNF-2A/6,3 fast | TEMPERATURE SENSOR              | TRANSMETTEUR TEMPERATURE        |
| 10  | 60900985  | 1   | 60900985  | 1   | TRANSMISOR PRESION M10x1T/1-pin M4    | PRESSURE SENSOR                 | MAIN-RÉSISTANCE                 |
| 11  | 13814070  | 1   | 13814070  | 1   | BOMBA ALIMENTACION ELECTRICA          | ELECTRIC FUEL FEED PUMP         | POMPE À ALIMENTATION ÉLECTRIQUE |
| 12  | 60972058  | 1   | 60972058  | 1   | INSTALACION ELECTRICA                 | ELECTRICAL WIRING               | INSTALLATION ELECT.             |
| 13  | 13814073  | 2   | 13814073  | 2   | ARANDELA                              | WASHER                          | RONDELLE                        |
|   |           |     |           |     |                                       |                                 |                                 |
|   |           |     |           |     |                                       |                                 |                                 |



7\*\*

Ref. 13814072 para manguera de Ø8. Aplicable a partir de enero 2007. Para manguera de Ø6mm, pedir el racord con ref. 13814071

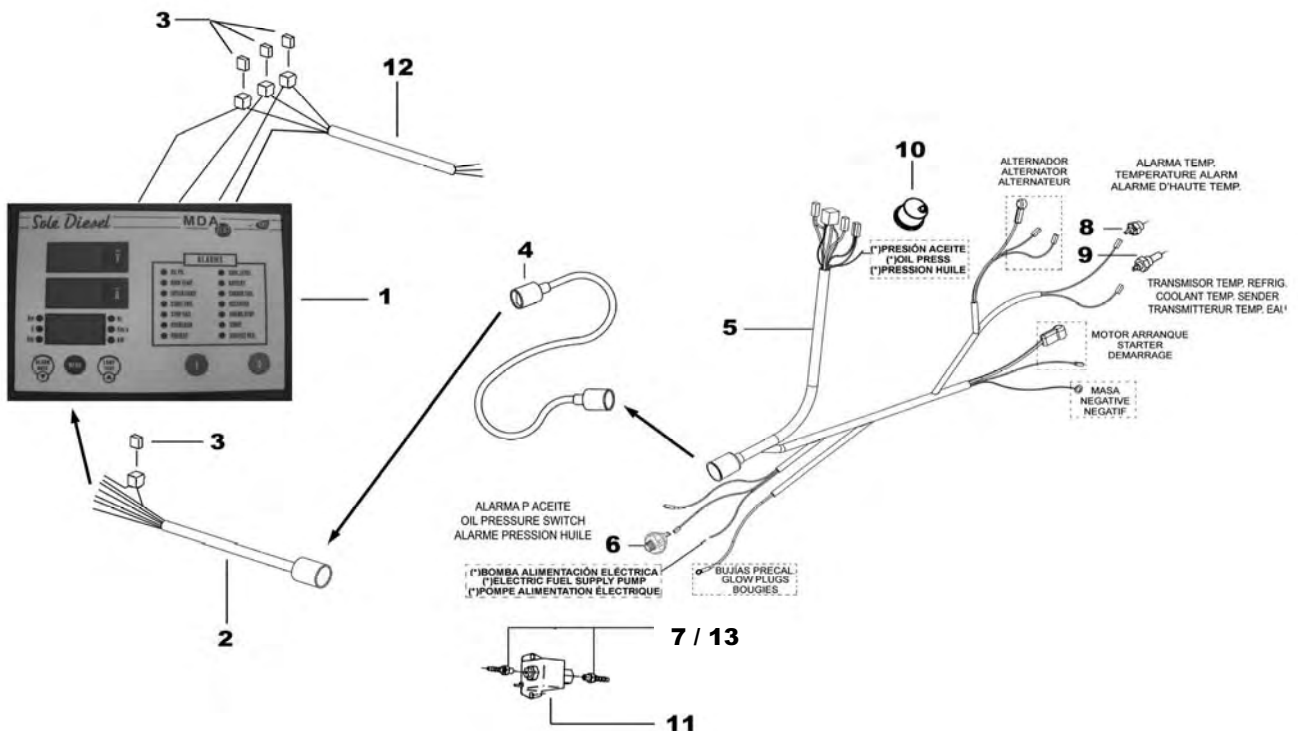
Racord with part no. 13814072 for hose Ø8mm. Available from January 2007. For install fuel hose with Ø6mm, order the racord with part. No. 13814071

| INSTALACION ELECTRICA GRUPO ELECTROGENO - TRIFASICO<br>ELECTRICAL WIRING GENERATOR SET - 3 PHASES<br>INSTALLATION ELECTRIQUE GROUPE ÉLECTROGÈNE - 3 PHASES |           |     |           |     |                                       | MI33-44.45.1                         |                                   |
|--|-----------|-----|-----------|-----|---------------------------------------|--------------------------------------|-----------------------------------|
| PAG  | REF.      |     |           |     | DESCRIPCIÓN                           | DESCRIPTION                          | DÉSIGNATION                       |
|  | MINI-33G  | QTY | MINI-44G  | QTY |                                       |                                      |                                   |
| 1  | 60972380  | 1   | 60973380  | 1   | CUADRO DIGITAL GRUPO - 400V/230V      | ELECTRICAL PANEL GET SET - 400V/230V | TABLEAU ELECT. GROUPE - 400V/230V |
| 2  | 60972063  | 1   | 60972063  | 1   | INSTALACION ELECTRICA                 | ELECTRICAL WIRING                    | INSTALLATION ELECT.               |
| 3  | 60900128  | 4   | 60900128  | 4   | FUSIBLE PLANO 5A                      | FUSE 5A                              | FUSIBLE 5A                        |
| 4  | 60938210  | 1   | 60938210  | 1   | ALARGO 3 m                            | HARNESS EXTENSION 3 M                | RALLONGE 3 M                      |
| 5  | 60972500R | 1   | 60972500R | 1   | INSTALACION ELECTRICA                 | ELECTRICAL WIRING                    | INSTALLATION ELECT.               |
| 6  | 17127027  | 1   | 17127027  | 1   | MANOCONTACTO                          | SWITCH, oil pressure                 | MAINCONTACT                       |
| 7**  | 13814071  | 2   | 13814071  | 2   | RACORD                                | NIPPLE EYE                           | RACCORD                           |
| 8  | 60900070  | 1   | 60900070  | 1   | TERMOCONTACTO 97°C                    | THERMO-SWITCH                        | THERMOCONTACT                     |
| 9  | 60900980  | 1   | 60900980  | 1   | TRANSMISOR TEMP. 5/8"-UNF-2A/6,3 fast | TEMPERATURE SENSOR                   | TRANSMETTEUR TEMPERATURE          |
| 10   | 60900985  | 1   | 60900985  | 1   | TRANSMISOR PRESION M10x1T/1-pin M4    | PRESSURE SENSOR                      | MAIN-RÉSISTANCE                   |
| 11   | 13814070  | 1   | 13814070  | 1   | BOMBA ALIMENTACION ELECTRICA          | ELECTRIC FUEL FEED PUMP              | POMPE À ALIMENTATION ÉLECTRIQUE   |
| 12   | 60972057  | 1   | 60972057  | 1   | INSTALACION ELECTRICA                 | ELECTRICAL WIRING                    | INSTALLATION ELECT.               |
| 13   | 13814073  | 2   | 13814073  | 2   | ARANDELA                              | WASHER                               | RONDELLE                          |
| 1*   | 60972220  | 1   | 60973220  | 1   | CUADRO DIGITAL GRUPO - 230V           | ELECTRICAL PANEL GET SET - 230V      | TABLEAU ELECT. GROUPE - 230V      |
|  |           |     |           |     |                                       |                                      |                                   |

7\*\*

Ref. 13814072 para manguera de Ø8. Aplicable a partir de enero 2007. Para manguera de Ø6mm, pedir el racord con ref. 13814071

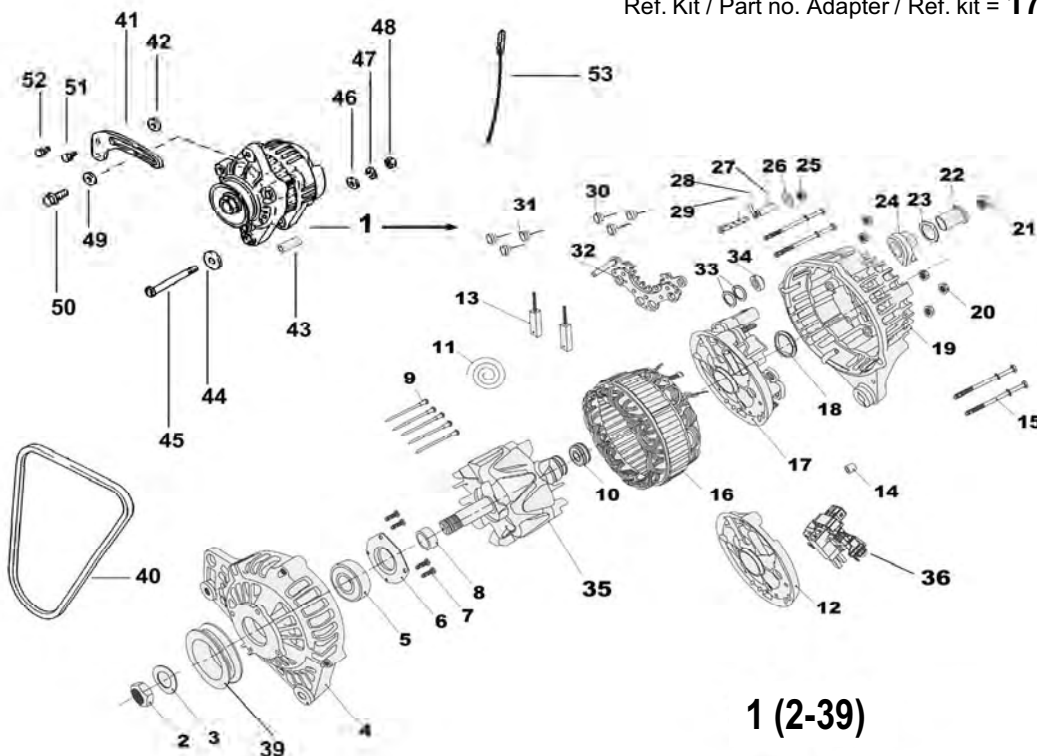
Racord with part no. 13814072 for hose Ø8mm. Available from January 2007. For install fuel hose with Ø6mm, order the racord with part. No. 13814071





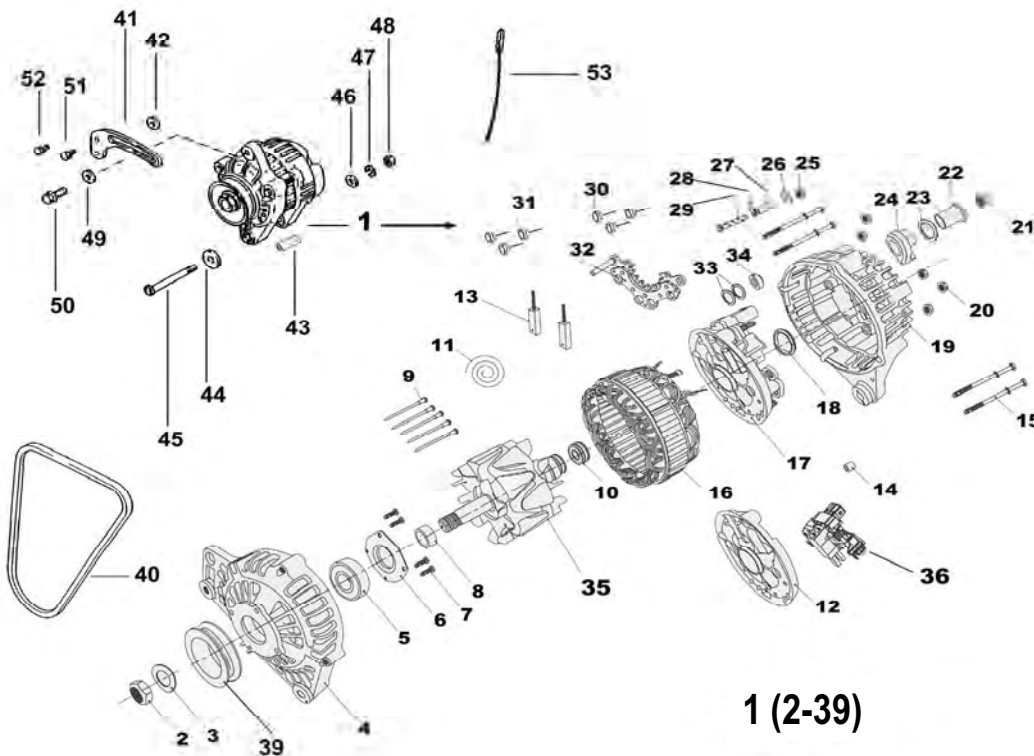
| KIT ALTERNADOR 110A / 14V<br>ALTERNATOR 110A / 14V, ASSY<br>ALTERNATEUR 110A / 14V, KIT |             |     |             |     | MI33-44.47.0                      |                          |                         |
|---|-------------|-----|-------------|-----|-----------------------------------|--------------------------|-------------------------|
| FIG.  | REF.        |     |             |     | DESCRIPCIÓN                       | DESCRIPTION              | DÉSIGNATION             |
|   | MINI-33     | QTY | MINI-44     | QTY |                                   |                          |                         |
| 1   | 17217019P   | 1   | 17217019P   | 1   | ALTERNADOR 110A 14V               | ALTERNATOR, 110A / 14V   | ALTERNATEUR, 110A / 14V |
| 2   | 17417019.2  | 1   | 17417019.2  | 1   | TUERCA                            | NUT                      | ECROU                   |
| 3   | 17417019.3  | 1   | 17417019.3  | 1   | ARANDELA ONDULADA                 | SPRING WASHER            | RONDELLE                |
| 4   | 17417019.4  | 1   | 17417019.4  | 1   | TAPA                              | DRIVE END BRACKET        | COUVERTURE              |
| 5   | 17417019.5  | 1   | 17417019.5  | 1   | RODAMIENTO                        | DRIVE BEARING            | ROULEMENT               |
| 6   | 17417019.6  | 1   | 17417019.6  | 1   | TAPA SOPORTE RODAMIENTO           | RETAINING PLATE          | COUVERTURE              |
| 7   | 17417019.7  | 4   | 17417019.7  | 4   | TORMILLO FIJACION TAPA RODAMIENTO | RETAINING PLATE SCREW    | BIS                     |
| 8   | 17417019.8  | 1   | 17417019.8  | 1   | SEPARADOR                         | SPACER                   | ANNEAU SEPARATEUR       |
| 9   | 17417019.9  | 5   | 17417019.9  | 5   | REMACHES                          | RIVETS                   | RIVETS                  |
| 10  | 17417019.10 | 1   | 17417019.10 | 1   | RODAMIENTO                        | SLIP END BRACKET BEARING |                         |
| 11  | 17417019.11 | 1   | 17417019.11 | 1   | ROLLO DE ESTAÑO                   | SOLDER                   | SOUDURE                 |
| 12  | 17417019.12 | 1   | 17417019.12 | 1   | DEFLECTOR                         | FAN PLATE                | PLAT DE VENTILATEUR     |
| 13  | 17417019.13 | 2   | 17417019.13 | 2   | ESCOBILLAS                        | BRUSH ASSY               | BALAIS                  |
| 14  | 17417019.14 | 1   | 17417019.14 | 1   | BUJE DE MASA                      | GROUND BUSH              | BUSH MOULU              |
| 15  | 17417019.15 | 4   | 17417019.15 | 4   | TORNILLOS PASANTES                | BOLTS                    | BIS                     |
| 16  | 17417019.16 | 1   | 17417019.16 | 1   | ESTATOR                           | STATOR                   | STATOR                  |
| 17  | 17417019.17 | 1   | 17417019.17 | 1   | CIRCUITO ELECTRONICO              | ELECTRONICS ASSY         | ASSEMBLÉE ÉLECTRONIQUE  |
| 18  | 17417019.18 | 1   | 17417019.18 | 1   | JUNTA DE GOMA                     | GASKET                   | JOINT                   |
| 19  | 17417019.19 | 1   | 17417019.19 | 1   | TAPA EXTREMO COLECTOR             | COVER                    | COUVERTURE              |
| 20  | 17417019.20 | 5   | 17417019.20 | 5   | TUERCA                            | NUT                      | ECROU                   |
| 21  | 17417019.21 | 1   | 17417019.21 | 1   | TUERCA B+                         | NUT B+                   | ECROU B+                |
| 22  | 17417019.22 | 1   | 17417019.22 | 1   | BUJE METALICO                     | STEEL BUSH               | BUSH EN ACIER           |
| 23  | 17417019.23 | 1   | 17417019.23 | 1   | ARANDELA ONDULADA                 | WASHER                   | RONDELLE                |
| 24  | 17417019.24 | 1   | 17417019.24 | 1   | AISLANTE BORNE B+                 | B+ INSULATOR             | ISOLATEUR B+            |
| 25  | 17417019.25 | 1   | 17417019.25 | 1   | TUERCA BORNE W                    | NUT W                    | ECROU W                 |
| 26  | 17417019.26 | 1   | 17417019.26 | 1   | ARANDELA AISLANTE                 | INSULATOR WASHER         | ISOLATEUR RONDELLE      |
| 27  | 17417019.27 | 1   | 17417019.27 | 1   | AISLANTE                          | INSULATOR                | ISOLATEUR               |
| 28  | 17417019.28 | 1   | 17417019.28 | 1   | TERMINAL DE CONEXIÓN              | CONNECTOR                | CONNECTEUR              |
| 29  | 17417019.29 | 1   | 17417019.29 | 1   | TORNILLO BORNE W                  | W SCREW                  | BIS                     |
| 30  | 17417019.30 | 3   | 17417019.30 | 3   | DIODOS POSITIVOS                  | DIODES (+)               | DIODES (+)              |
| 31  | 17417019.31 | 3   | 17417019.31 | 3   | DIODOS NEGATIVOS                  | DIODES (-)               | DIODES (-)              |
| 32  | 17417019.32 | 1   | 17417019.32 | 1   | PUENTE RECTIFICADOR               | RECTIFIER                | RECTIFIEUR              |
| 33  | 17417019.33 | 2   | 17417019.33 | 2   | ARANDELA ONDULADA                 | WASHER                   | RONDELLE                |

Ref. Kit / Part no. Adapter / Ref. kit = **17217052**

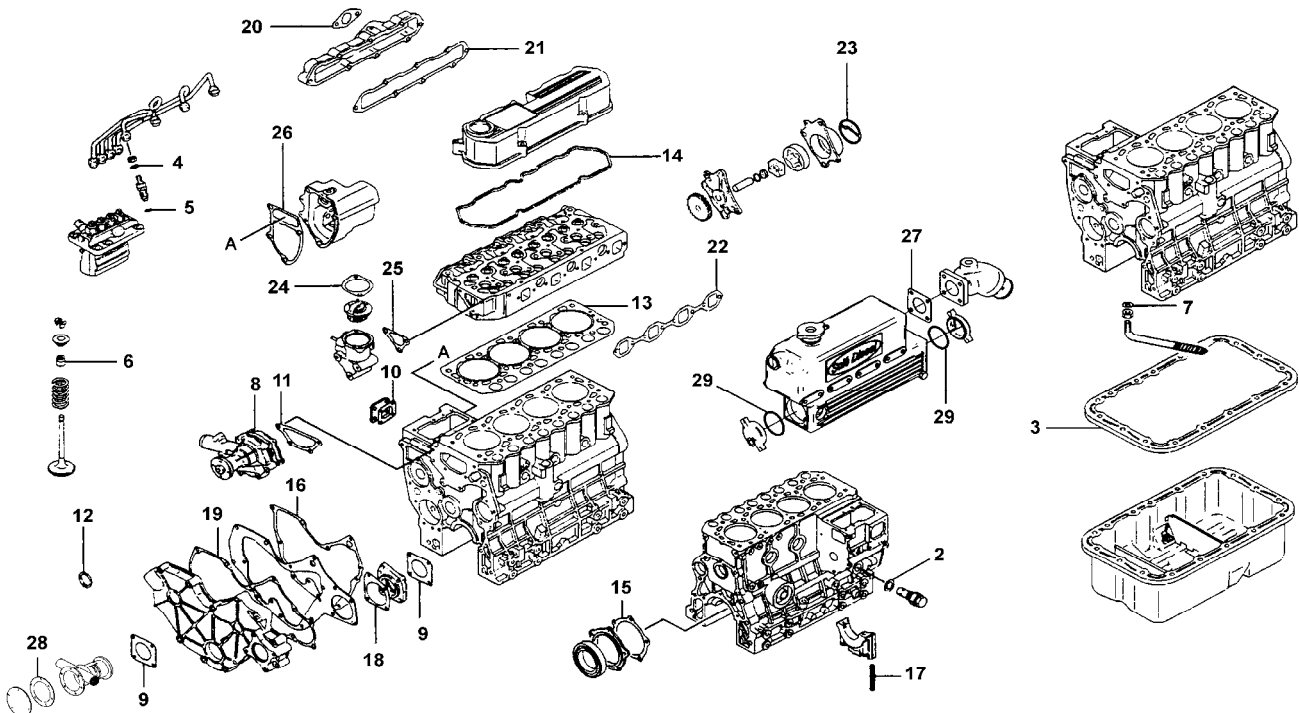


| KIT ALTERNADOR 110A / 14V<br>ALTERNATOR 110A / 14V, ASSY<br>ALTERNATEUR 110A / 14V, KIT |             |     |             |     | MI33-44.47.0                        |                            |                         |
|---|-------------|-----|-------------|-----|-------------------------------------|----------------------------|-------------------------|
| FIG.  | REF.        |     |             |     | DESCRIPCIÓN                         | DESCRIPTION                | DÉSIGNATION             |
|   | MINI-33     | QTY | MINI-44     | QTY |                                     |                            |                         |
| 34  | 17417019.34 | 1   | 17417019.34 | 1   | AISLANTE                            | INSULATOR                  | ISOLATEUR               |
| 35  | 17417019.35 | 1   | 17417019.35 | 1   | ROTOR                               | ROTOR                      | ROTOR                   |
| 36  | 17417019.36 | 1   | 17417019.36 | 1   | REGULADOR Y PORTAESCOBILLAS         | REGULATOR AND BRUSH HOLDER | RÉGULATEUR              |
| 37  | ---         | --  | ---         | --  | ---                                 | ---                        | ---                     |
| 38  | ---         | --  | ---         | --  | ---                                 | ---                        | ---                     |
| 39  | 17617003    | 1   | 17617003    | 1   | POLEA ALTERNADOR                    | PULLEY ALTERNATOR          | POLIE                   |
| 40  | 17021028    | 1   | 17021028    | 1   | CORREA                              | V-BELT                     | COURROIE                |
| 41  | 17227007.1  | 1   | 17227007.1  | 1   | TENSOR ALTERNADOR                   | PLATE                      | PLAQUE                  |
| 42  | 17217005    | 1   | 17217005    | 1   | GRUESO                              | SPACER                     | GROS                    |
| 43  | 17217006    | 1   | 17217006    | 1   | GRUESO                              | SPACER                     | GROS                    |
| 44  | 51030010    | 1   | 51030010    | 1   | ARANDELA ACERO DIN 125-10           | WASHER DIN 125-10          | RONDELLE                |
| 45  | 52101326    | 1   | 52101276    | 1   | TORNILLO DIN 931 M10-130 8.8        | BOLT DIN 931 M10-130 8.8   | VIS DIN 931 M10-130 8.8 |
| 46  | 51030010    | 1   | 51030010    | 1   | ARANDELA ACERO DIN 125-10           | WASHER DIN 125-10          | RONDELLE                |
| 47  | 53033010    | 1   | 53033010    | 1   | ARANDELA GROWER DIN 127-10          | WASHER GROWER DIN 127-10   | RONDELLE                |
| 48  | 52120010    | 1   | 52120010    | 1   | TUERCA DIN 934 M10 8.8 (C.10)       | NUT DIN 934 M10 8.8        | ECROU DIN 934 M10 8.8   |
| 49  | 51031008    | 1   | 51031008    | 1   | ARANDELA ACERO DIN 9021 8           | WASHER DIN 9021 8          | RONDELLE                |
| 50  | 52102259    | 1   | 52102259    | 1   | TORNILLO DIN 933 M8-30 8.8          | BOLT DIN 933 M8-30 8.8     | VIS DIN 933 M8-30 8.8   |
| 51  | ---         | --  | ---         | --  | ---                                 | ---                        | ---                     |
| 52  | ---         | --  | ---         | --  | ---                                 | ---                        | ---                     |
| 53  | 60972001    | 1   | 60972001    | 1   | CABLE VERDE CONEXIÓN (+) ALTERNADOR | GREEN CABLE                | CABLE                   |

Ref. Kit / Part no. Adapter / Ref. kit = **17217052**



| JUEGO DE JUNTAS<br>OVERHAUL GASKET SET<br>JEU DE JOINTS |          |     |          |     | MI33-44.44.0             |                          |                              |
|---|----------|-----|----------|-----|--------------------------|--------------------------|------------------------------|
| FIG.  | REF.     |     |          |     | DESCRIPCIÓN              | DESCRIPTION              | DÉSIGNATION                  |
|   | MINI-33  | QTY | MINI-44  | QTY |                          |                          |                              |
| 1   | 17220101 | 1   | 17320101 | 1   | JUEGO DE JUNTAS          | GASKET KIT               | JEU DE JOINTS                |
| 2   | 17124063 | 1   | 17124063 | 1   | JUNTA                    | GASKET                   | JOINT                        |
| 3   | NU028.75 | 1   | NU028.75 | 1   | NURAL 28 NARANJA 75ml    | NURAL 28 ORANGE 75ML     | NURAL 28 ORANGE 75ML         |
| 4   | 13824025 | 3   | 13824025 | 3   | JUNTA                    | GASKET                   | JOINT                        |
| 5   | 13824013 | 3   | 13824013 | 3   | ARANDELA INYECTOR        | GASKET                   | RONDELLE                     |
| 6   | 13222054 | 6   | 13222054 | 6   | CAPUCHON VALVULA         | SEAL VALVE STEM          | CAPUCHON SOUPAPE             |
| 7   | 17024001 | 1   | 17024001 | 1   | JUNTA                    | GASKET                   | JOINT                        |
| 8   | 13221041 | 1   | 13221041 | 1   | JUNTA BOMBA AGUA         | GASKET WATER PUMP        | JOINT POMPE EAU              |
| 9   | 13120047 | 2   | 13120047 | 2   | JUNTA BOMBA AGUA         | GASKET WATER PUMP        | JOINT POMPE EAU              |
| 10  | 13223014 | 1   | 13223014 | 1   | JUNTA TAPA               | GASKET COVER             | JOINT COUVERCLE              |
| 11  | 13221022 | 1   | 13221022 | 1   | JUNTA BOMBA AGUA         | GASKET WATER PUMP        | JOINT POMPE EAU              |
| 12  | 17121013 | 3   | 17121013 | 3   | JUNTA                    | GASKET                   | JOINT                        |
| 13  | 17221004 | 1   | 17321004 | 1   | JUNTA CULATA             | GASKET, CYLINDER HEAD    | JOINT CULASSE                |
| 14  | 17221010 | 1   | 17321010 | 1   | JUNTA TAPA BALANCINES    | GASKET, ROCKER COVER     | JOINT COUVERCLE CULBUTEURS   |
| 15  | 17220016 | 1   | 17220016 | 1   | JUNTA TAPA ACEITE        | GASKET, OIL SEAL CASE    | JOINT COUVERCLE D'HUILE      |
| 16  | 17220018 | 1   | 17220018 | 1   | JUNTA PLACA              | GASKET, FRONT PLATE      | JOINT PLAQUE                 |
| 17  | 17220002 | 4   | 17220002 | 4   | JUNTA LATERAL            | SEAL, SIDE               | JOINT LATERAL                |
| 18  | 17220038 | 1   | 17220038 | 1   | JUNTA TAPA               | GASKET, HOUSING          | JOINT COUVERCLE              |
| 19  | 17220040 | 1   | 17220040 | 1   | JUNTA TAPA DISTRIBUCION  | GASKET, GEAR CASE        | JOINT COUVERCLE DISTRIBUTION |
| 20  | 17221034 | 1   | 17221034 | 1   | JUNTA TUBO DE ENTRADA    | GASKET, INLET PIPE       | JOINT TUYAU ENTREE           |
| 21  | 17221032 | 1   | 17321032 | 1   | JUNTA COLECTOR ADMISION  | GASKET, INLET COVER      | JOINT COLLECTEUR ADMISSION   |
| 22  | 17221035 | 1   | 17321035 | 1   | JUNTA COLECTOR ESCAPE    | GASKET, EXHAUST MANIFOLD | JOINT COLLECTEUR ECHAPPEMENT |
| 23  | 17224041 | 1   | 17224041 | 1   | JUNTA CUERPO             | PACKING, BODY            | JOINT CORPS                  |
| 24  | 17221031 | 1   | 17221031 | 1   | JUNTA TERMOSTATO         | GASKET, THERMOSTAT       | JOINT THERMOSTAT             |
| 25  | 17221033 | 1   | 17221033 | 1   | JUNTA SOPORTE TERMOSTATO | GASKET, THERMOSTAT CASE  | JOINT SUPPORT THERMOSTAT     |
| 26  | 17223033 | 1   | 17223033 | 1   | JUNTA TAPA               | GASKET, GOVERNOR CASE    | JOINT COUVERCLE              |
| 27  | 15113043 | 1   | 15113043 | 1   | JUNTA COLECTOR ESCAPE    | EXHAUST OUTLER GASKET    | JOINT COLLECTEUR ÉCHAPPEMENT |
| 28  | 31211003 | 1   | 31211003 | 1   | JUNTA TAPA               | GASKET COVER             | JOINT COUVERCLE              |
| 29  | 13811007 | 2   | 13811007 | 2   | JUNTA TORICA 57-2,5      | O-RING 57-2,5            | JOINT TORIQUE 57-2,5         |



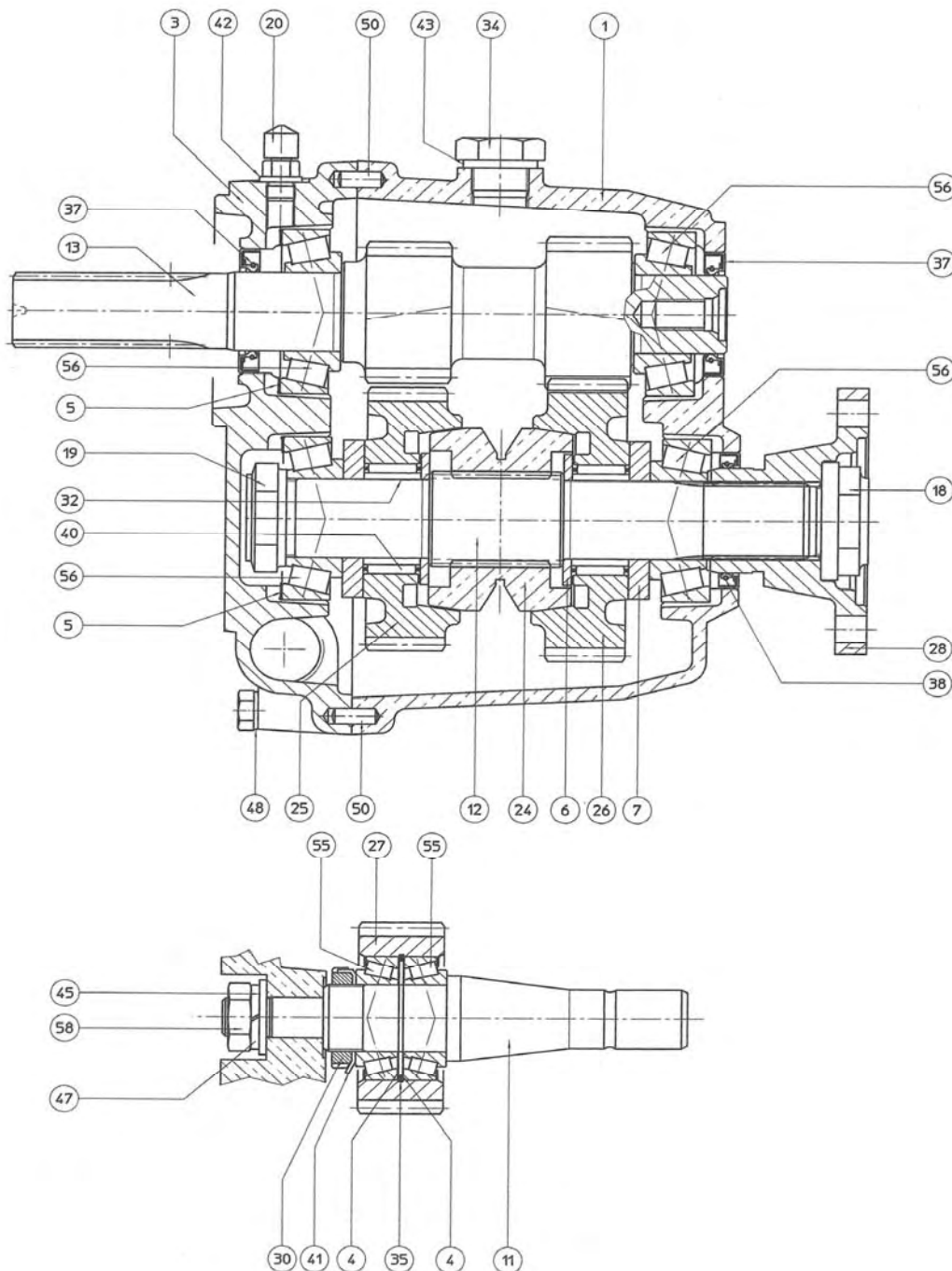
| FIG. | REF.        | DESCRIPCIÓN                   | DESCRIPTION              | DÉSIGNATION                 | CTD / QTY / QTÉ |
|------|-------------|-------------------------------|--------------------------|-----------------------------|-----------------|
| 1    | 24880002    | CUERPO POSTERIOR              | BOX                      | CORPS POSTERIEUR            | 1               |
| 2    | 24880401    | CUERPO MANDO                  | COVER                    | CORP                        | 1               |
| 3    | 24880001    | CUERPO ANTERIOR               | COVER                    | CORPS ANTERIEUR             | 1               |
| 4    | 24880305    | SEPARADOR                     | SPACER                   | SEPARATEUR                  | 2               |
| 5    | 24813500.67 | SEPARADOR                     | SPACER                   | SEPARATEUR                  | 6               |
| 6    | 24880218    | SEPARADOR INTERIOR            | SHIM                     | SEPARATEUR                  | 2               |
| 7    | 24880217    | SEPARADOR EXTERIOR            | SHIM                     | SEPARATEUR                  | 2               |
| 8    | 24880306    | ARANDELA                      | WASHER                   | RONDELLE                    | 1               |
| 9    | 24860411    | MUELLE MANDO                  | SPRING                   | RESSORT                     | 1               |
| 10   | 24880402    | EXCENTRICA MANDO              | SHAFT                    | EXCENTRIQUE COMMANDE        | 1               |
| 11   | 24880301    | EJE INTERMEDIO                | INTERMEDIATE SHAFT       | ARBRE INTERMEDIAIRE         | 1               |
| 12   | 24880201    | EJE SECUNDARIO                | SHAFT OUTPUT             | ARBRE SECONDAIRE            | 1               |
| 13A  | 24882101    | EJE PRIMARIO RED.1,55         | INPUT SHAFT              | ESSIEU PRIMAIRE             | 1               |
| 13B  | 24883101    | EJE PRIMARIO RED.2,00         | INPUT SHAFT              | ESSIEU PRIMAIRE             | 1               |
| 13C  | 24884101    | EJE PRIMARIO RED.2,45         | INPUT SHAFT              | ESSIEU PRIMAIRE             | 1               |
| 14   | 24850005    | CHAPA CARACTERISTICAS         | PLATE, IDENTIFICATION    | FEUILLE CARACTERISTIQUES    | 1               |
| 15   | 24860006    | PLACA ACEITE ATF              | ATF OIL PLATE            | PLAQUE HUILE ATF            | 1               |
| 16   | 24860419    | PASADOR                       | PIN                      | GOUJON                      | 1               |
| 17   | 24810424    | PALANCA                       | LEVER                    | LEVIER                      | 1               |
| 18   | 24850099    | TUERCA                        | NUT                      | ECROU                       | 1               |
| 19   | 24880222    | TUERCA                        | NUT                      | ECROU                       | 1               |
| 20   | 24810065    | TAPON                         | PLUG                     | BOUCHON                     | 1               |
| 21   | 24880311    | TAPON                         | PLUG                     | BOUCHON                     | 1               |
| 22   | 24880038    | TAPON                         | PLUG                     | BOUCHON                     | 2               |
| 23   | 24880423    | DEDO MANDO                    | PAD                      | DOIGT COMMANDE              | 1               |
| 24   | 24880202    | CONO EMBRAGUE                 | CLUTCH                   | CONE EMBRAYAGE              | 1               |
| 25A  | 24882203    | ENGRANAJE                     | GEAR                     | ENGRENAGE                   | 1               |
| 25B  | 24882203    | ENGRANAJE                     | GEAR                     | ENGRENAGE                   | 1               |
| 25C  | 24884203    | ENGRANAJE                     | GEAR                     | ENGRENAGE                   | 1               |
| 26A  | 24882203    | ENGRANAJE                     | GEAR                     | ENGRENAGE                   | 1               |
| 26B  | 24883210    | ENGRANAJE                     | GEAR                     | ENGRENAGE                   | 1               |
| 26C  | 24884210    | ENGRANAJE                     | GEAR                     | ENGRENAGE                   | 1               |
| 27   | 24880302    | PIÑON INTERMEDIO              | GEAR                     | PIGNON INTERMEDIAIRE        | 1               |
| 28   | 24880224    | BRIDA SALIDA INVERSOR         | FLANGE OUTPUT            | BRIDE SORTIE INVERSEUR      | 1               |
| 29   | 24880008    | VARILLA NIVEL ACEITE          | GAUGE                    | BAGUETTE NIVEAU D'HUILE     | 1               |
| 30   | 24880310    | TUERCA                        | NUT                      | ECROU                       | 1               |
| 31   | 24880409    | TORNILLO                      | BOLT                     | VIS                         | 1               |
| 32   | 24880205    | ANILLO INTERIOR               | CAGE                     | ANNEAU                      | 2               |
| 33   | 24850011    | TAPON VACIADO ACEITE          | PLUG, OIL DRAIN          | BOUCHON MOULAGE HUILE       | 1               |
| 34   | 24830011    | TAPON                         | PLUG                     | BOUCHON                     | 1               |
| 35   | 24880309    | ANILLO                        | RING                     | ANNEAU                      | 1               |
| 36   | 24860404    | RETEN                         | OIL SEAL                 | JOINT D'ÉTANCHÉITÉ          | 1               |
| 37   | 22210103    | RETEN EJE PRIMARIO BA 30-47-7 | SEAL,oil BA 30-47-7      | JOINT D'ÉTANCHÉITÉ          | 2               |
| 38   | 25210214    | RETEN EJE SECUNDARIO 40-52-7  | SEAL,oil 40-52-7         | JOINT D'ÉTANCHÉITÉ          | 1               |
| 39   | 24860417    | JUNTA TORICA                  | O-RING                   | JOINT TORIQUE               | 1               |
| 40   | 24880204    | CASQUILLO DE AGUJAS           | BEARING                  | DOUILLE À AIGUILLE          | 2               |
| 41   | 24880308    | ARANDELA                      | WASHER                   | RONDELLE                    | 1               |
| 42   | 24810063    | ARANDELA PLANA                | PLANE WASHER             | RONDELLE PLANE              | 2               |
| 43   | 56000083    | ARANDELA COBRE 21-26-1,5      | WASHER 21-26-1,5         | RONDELLE                    | 1               |
| 44   | 51030008    | ARANDELA ACERO DIN 125-8      | WASHER DIN 125-8         | RONDELLE PLATE DIN 125-8    | 2               |
| 45   | 51030014    | ARANDELA ACERO DIN 125-14     | WASHER DIN 125-14        | RONDELLE                    | 2               |
| 46   | 53033008    | ARANDELA GROWER DIN 127-8     | WASHER GROWER DIN 127-8  | ROND.ÉLAST.GROWER DIN 127-8 | 3               |
| 47   | 53033014    | ARANDELA GROWER DIN 127-14    | WASHER GROWER DIN 127-14 | RONDELLE                    | 1               |
| 48   | 24850093    | ARANDELA                      | WASHER                   | RONDELLE                    | 10              |
| 49   | 53052210    | PASADOR ELAST.DIN 1481 3-20   | PIN DIN 1481 3-20        | GOUJON ELAST.DIN 1481 3-20  | 1               |
| 50   | 24860023    | PASADOR                       | PIN                      | GOUJON                      | 2               |
| 51   | 52102258    | TORNILLO DIN 933 M8-25 8.8    | BOLT DIN 933 M8-25 8.8   | VIS DIN 933 M8-25 8.8       | 8               |
| 52   | 52103258    | TORNILLO DIN 912 M8-25 8.8    | BOLT DIN 912 M8-25 8.8   | VIS DIN 912 M8-25 8.8       | 2               |

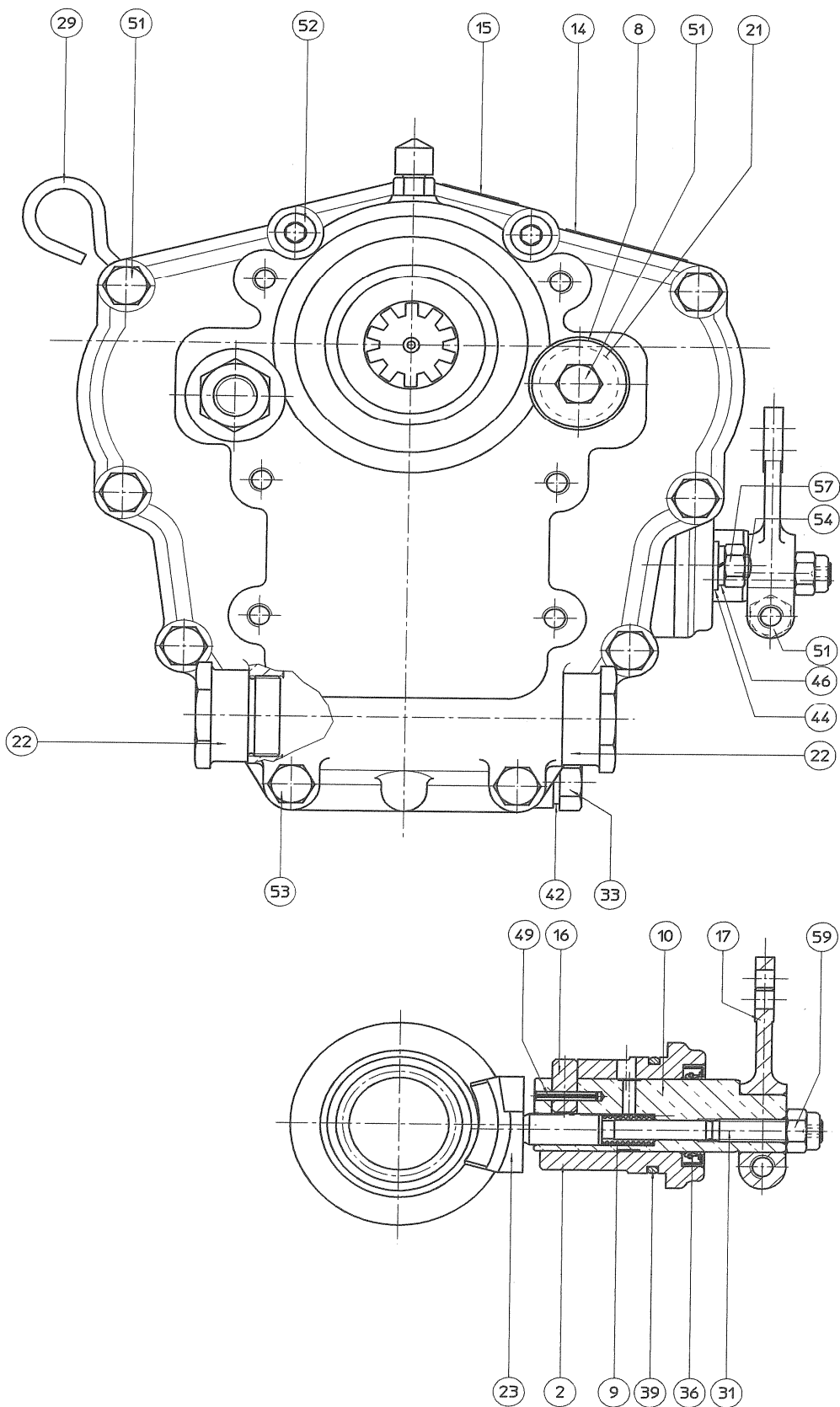
13A, 25A, 26A = reduccion 1.55:1 / ratio 1.55:1    \*\* 13B, 25B, 26B = reduccion 2.00:1 / ratio 2.00:1

13C, 25C, 26C = reduccion 2.45:1 / ratio 2.45:1

| FIG. | REF.     | DESCRIPCIÓN                  | DESCRIPTION            | DÉSIGNATION           | CTD / QTY / QTÉ |
|------|----------|------------------------------|------------------------|-----------------------|-----------------|
| 53   | 52101263 | TORNILLO DIN 931 M8-50 8.8   | BOLT DIN 931 M8-50 8.8 | VIS DIN 931 M8-50 8.8 | 2               |
| 54   | 24860071 | ESPARRAGO                    | SCREW STUD             | ENTRETOISE            | 2               |
| 55   | 24860206 | RODAMIENTO                   | BEARING                | ROULEMENT             | 2               |
| 56   | 25710104 | RODAMIENTO                   | BEARING,ROLLER         | ROULEMENT             | 4               |
| 57   | 52120008 | TUERCA DIN 934 M8 8.8 (C.10) | NUT DIN 934 M8 8.8     | ECROU DIN 934 M8 8.8  | 2               |
| 58   | 24880307 | TUERCA                       | NUT                    | ECROU                 | 1               |
| 59   | 51123008 | TUERCA DIN 985 M8 5.6        | NUT DIN 985 M8 5.6     | ECROU DIN 985 M8 5.6  | 1               |

|          |                         |                         |                          |   |
|----------|-------------------------|-------------------------|--------------------------|---|
| 24820000 | INVERSOR TMC-60E R.1,55 | GEAR BOX TMC-60E R.1,55 | INVERSEUR TMC-60E R.1,55 | 8 |
| 24883000 | INVERSOR TMC-60E R.2,00 | GEAR BOX TMC-60E R.2,00 | INVERSEUR TMC-60E R.2,00 | 6 |
| 24884000 | INVERSOR TMC-60E R.2,45 | GEAR BOX TMC-60E R.2,45 | INVERSEUR TMC-60E R.2,45 | 2 |

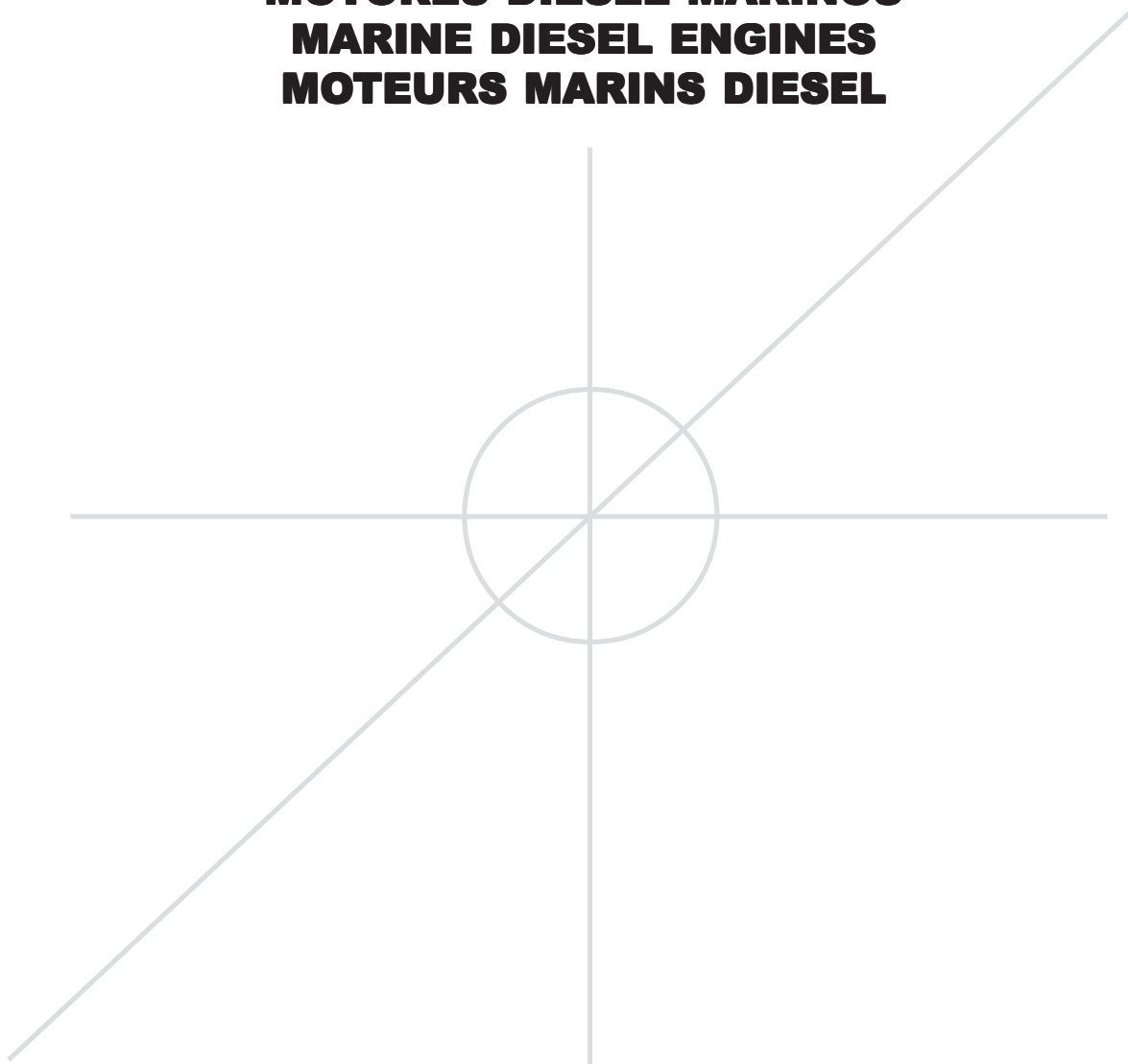








**MOTORES DIESEL MARINOS  
MARINE DIESEL ENGINES  
MOTEURS MARINS DIESEL**



**SOLE, S.A.**

Departamento Publicaciones Técnicas 09-2010 16 Ed. Rev 13

Impreso por PASDER

Ctra. Martorell a Gelida Km 2 P.O.Box 15  
08760 MARTORELL (Barcelona) Spain

Tel.: (+34)937751400

Fax: (+34)937753013

E-mail: [sole@solediesel.com](mailto:sole@solediesel.com)

[www.solediesel.com](http://www.solediesel.com)

Ref. 05917200

Mod.077