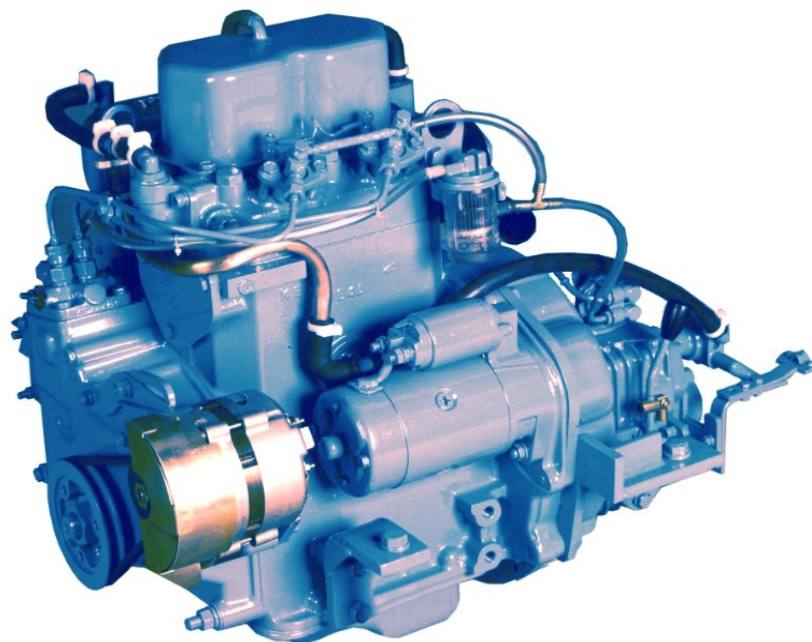




Engine MINI-18
VERSION 2017-12
SPARE PARTS MANUAL



PARTS LIST CATALOGUE

NORMS TO PLACE AN ORDER:

For fast and more efficient service, please specify the following information on spare parts orders that must be preferably done by FAX or e-mail as specified below:

- 1- Engine model: As shown in identification plate
- 2- Engine serial number: As shown in identification plate and stamped on crankcase
- 3- Item description + part number + quantity required

Spare parts requests must be addressed to:

recambios@solediesel.com

Telf.: +34 93 775 44 05

Fax: +34 93 775 30 13

The components shown in the catalog have:

- Figure: Number by which they are represented in scheme
 - Description: Trade name of the component
 - Quantity: Total number of parts used in the assembly of the part represented (may differ from the total minimum quantities)
- Hoses, indicates the total length in meters
-

The diagrams shown in this catalog of spare parts, have only the purpose to identify the piece in question, its representation is not meaningful and may differ from the actual piece.

In case of doubt, contact Solé Diesel, or your authorized dealer.

The parts i / or references in this catalog are subject to change without notice.

[SOLE, S.A.](#)

C-243b, Km, 2 - P.O. BOX 15
08760 Martorell (Barcelona) Spain

Download the latest version of this manual [HERE](#)

Engine body, MINI-18

Cylinder Head
Oil Pan & Gear Case
Timing Parts
Crankcase
Crankshaft, Piston & Connecting Rod
Oil System
Engine Brackets & Feeding

Cooling System, MINI-18

Cooling System

Fuel System, MINI-18

Fuel Pipe
Fuel Injection Pump
Nozzle
Governor Parts

Electrical System, MINI-18

Electrical System & Engine Control
Electrical System 2

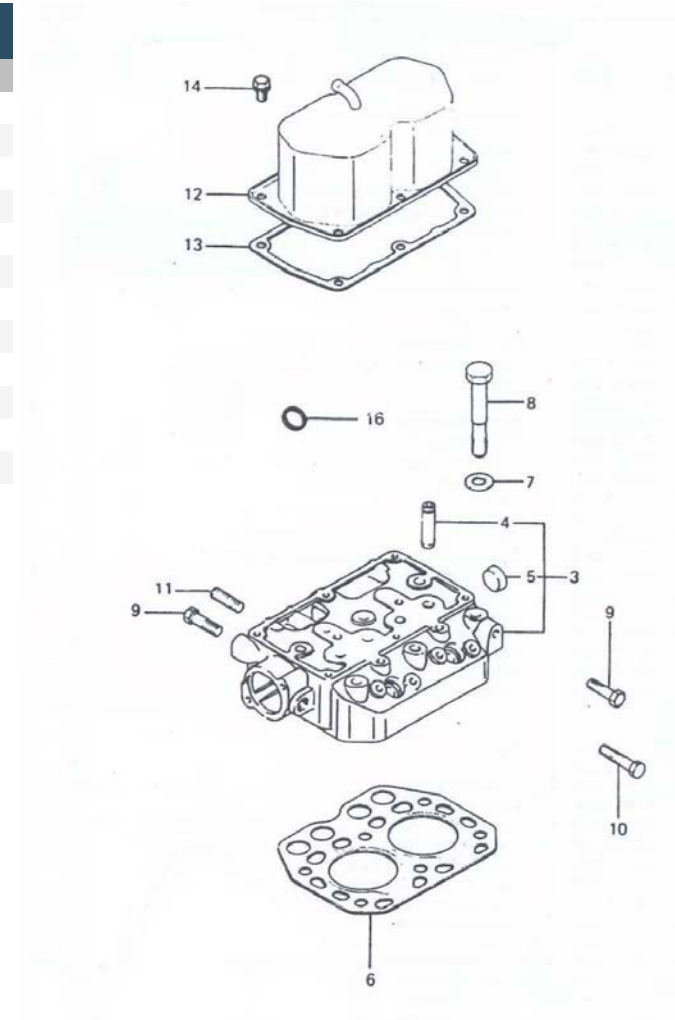
Maintenance Kit, MINI-18

Gasket Kit
Repair Kit Water Pump "B"

GearBox MINI-18

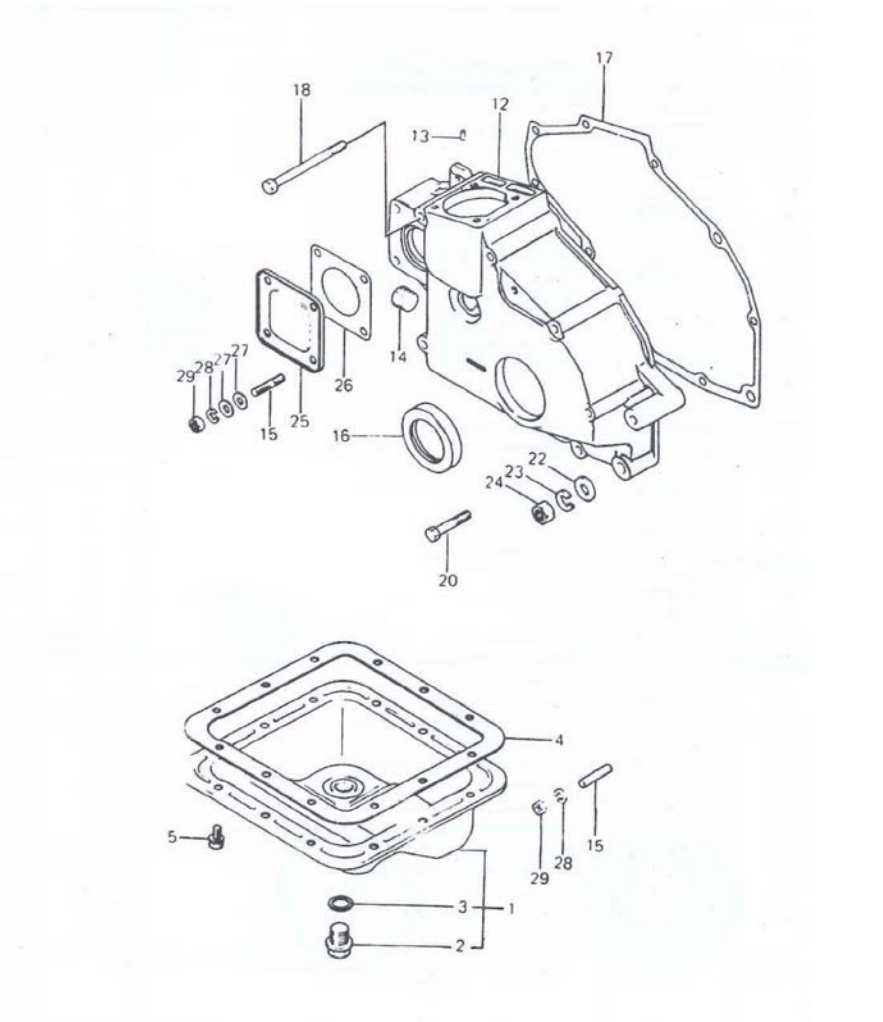
GearBox RONIM III R.2,00

D_MI18_1_1		Cylinder Head				
FIG.	REF.	QTY	DESCR.	FROM	UPTO	
3	13121020	1	Head Assy CYLINDE [NP]			
4	13121002	4	Guide Valve			
5	13111001	1	Plug Cylinder Head			
6	13121022	1	Gasket Cylinder Head			
7	13121005	6	Washer FINISHED P			
8	13121006	6	Bolt			
9	13121007	1	Bolt			
10	13121008	1	Bolt Engine HANGE			
12	13121009	1	Cover Assy Rocker [NP]			
13	13121010	1	Gasket Rocker Cover			
14	52102256	6	Bolt DIN 933 M8-15 8.8			
16	13121012	1	Gasket CHAMBER [NP]			



[NP] Not provided

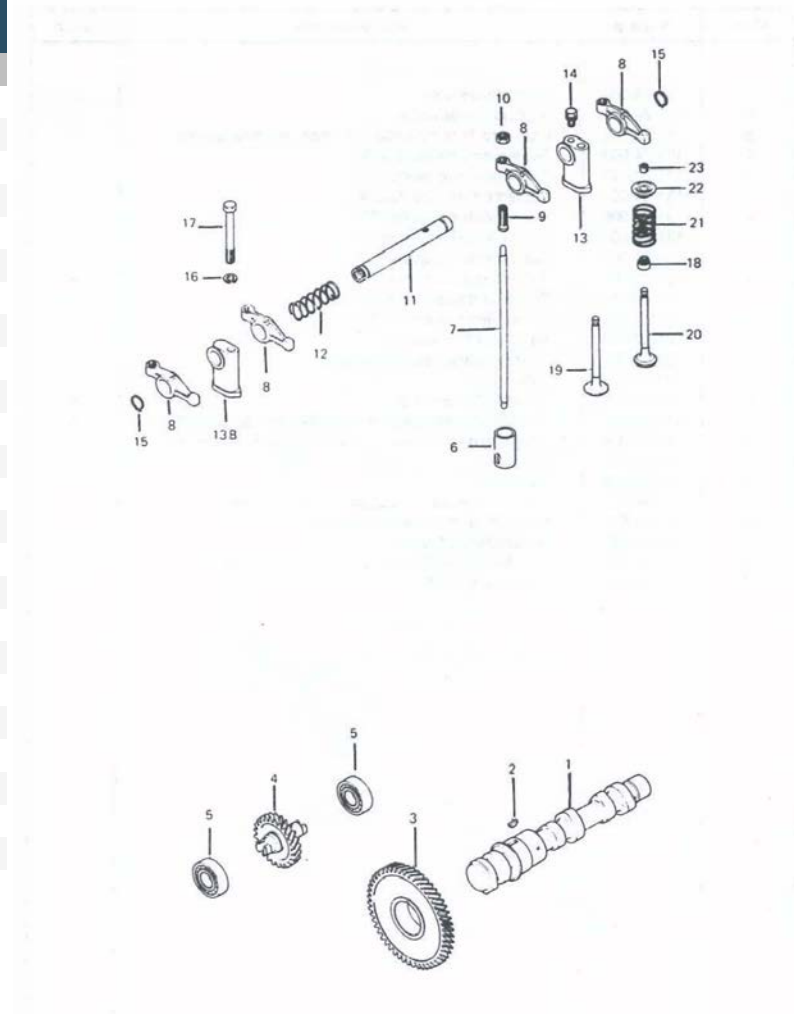
D_MI18_1_2		Oil Pan & Gear Case				
FIG.	REF.	QTY	DESCR.	FROM	UPTO	
1	13120030	1	PAN Assy Oil [NP]			
2	13120031	1	Plug,oil drain			
3	13120032	3	Washer 18-23-1,5 [NP]			
4	13120033	1	Gasket Oil Pan			
5	52102256	12	Bolt DIN 933 M8-15 8.8			
12	13120035	1	Case Gear			
13	13120036	2	Pin Dowel [NP]		02/08/2017	
13	17620036.4	2	Pin Dowel	02/08/2017		
14	13120037	1	Plug TAPER 1/2			
15	13120038	2	Stud			
16	13120039	1	Seal OIL			
17	13120040	1	Gasket GearCase			
18	52101273	4	Bolt DIN 931 M8-100 8.8			
20	52101262	2	Bolt DIN 931 M8-45 8.8			
22	51030012	2	Washer DIN 125-12			
23	53033012	2	Washer GROWER DIN 127-12			
24	52220012	2	Nut DIN 934 M12-1,25 8.8			
25	13120046	1	Cover Oil Pump SH			
26	13120047	1	Gasket Water Pump			
27	51030008	8	Washer DIN 125-8			
28	53033008	4	Washer GROWER DIN 127-8			
29	52120008	4	Nut DIN 934 M8 8.8			



[NP] Not provided



D_MI18_1_4		Timing Parts				
FIG.	REF.	QTY	DESCR.	FROM	UPTO	
1	13122035	1	CamShaft			
2	13122036	1	KEY			
3	13122037	1	Gear Cam Shaft			
4	13122038	1	Gear PRESSUR Oil			
5	13222068	2	Ball Bearing 6204			
6	13122040	4	Tappet			
7	13122041	4	Rod Push			
8	13122042	4	ARM Rocker			
9	13122044	4	Screw Adjusting			
10	13122045	4	Nut			
11	13122046	1	Shaft Assy			
12	13122047	1	Spring			
13	13122048	1	STAY Rocker			
13B	13122049	1	STAY Rocker			
14	52120008	1	Nut DIN 934 M8 8.8			
15	53040019	2	CIRClip DIN 471 E-19 [NP]			
16	53033010	2	Washer GROWER DIN 127-10			
17	52101319	2	Bolt DIN 931 M10-80 8.8			
18	13122054	4	Seal			
19	13122055	2	Intake Valve			
20	13122056	2	Exhaust Valve			
21	13122057	4	Spring [NP]			
22	13122058	4	Retainer			
23	13122059	8	Lock Retainer			

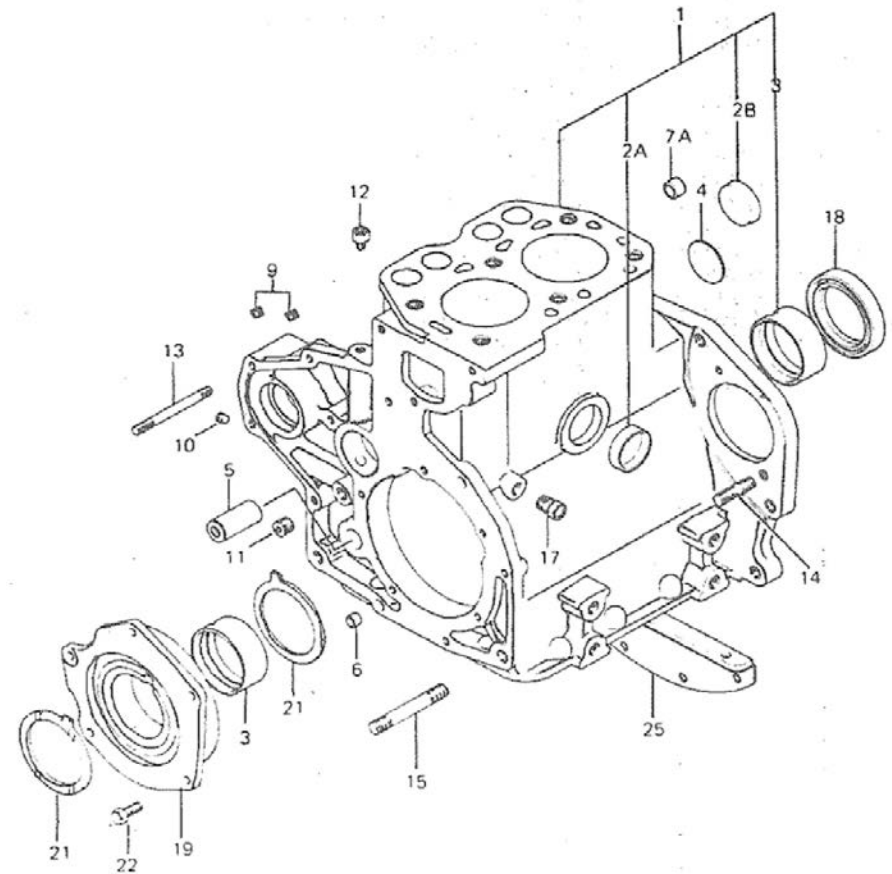


[NP] Not provided





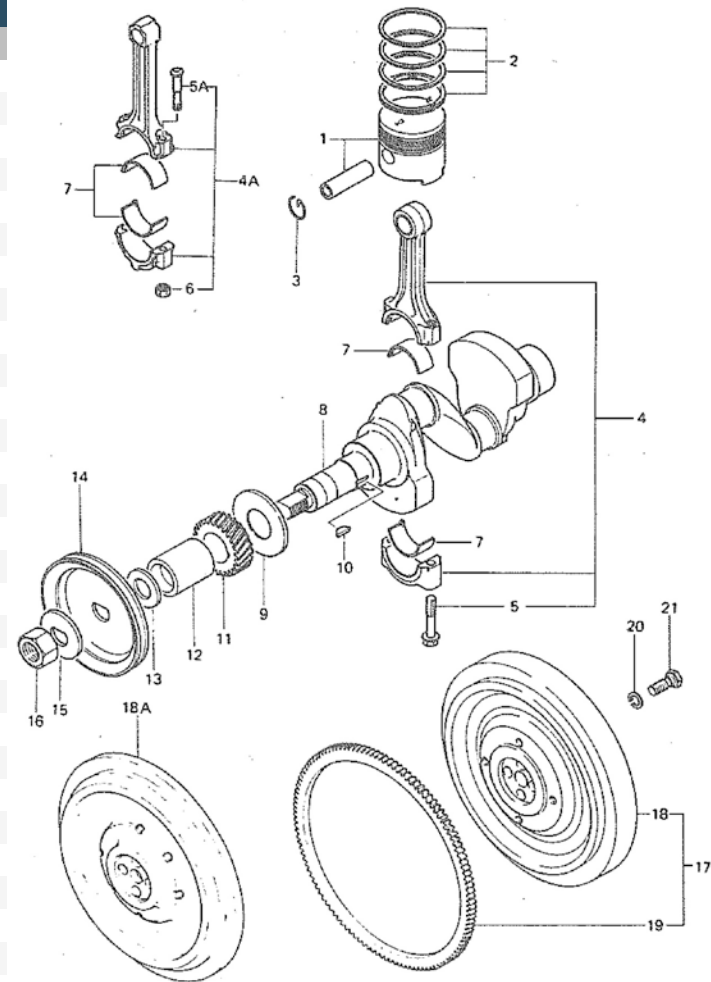
D_MI18_1_6		Cranckcase				
FIG.	REF.	QTY	DESCR.	FROM	UPTO	
1-3	13120002	1	Block SUB Assy CY			
2A	13110005	1	Plug Block			
2B	13110006	1	Plug Engine Water Inlet			
3A	13120003	2	METAL Bearing			
3B	13120004	2	METAL CrankShaft			
3C	13120005	2	METAL CrankShaft			
3D	13120006	2	Bearing CRANKSHAF			
4	13120007	1	Plug Expansion			
5	13120008	1	Shaft GOVERNOR GE			
6	13120009	2	Bushing			
7A	13120010	2	Bushing KNOCK			
9	13120011	2	Plug, Tapered [NP]		12/07/2017	
9	17820011	2	Plug, Tapered [NP]	12/07/2017		
10	13120012	2	Plug Taper 1/16 [NP]			
11	13120013	1	Plug TAPER 1/4			
12	13120014	1	Connector			
13	13120015	2	Stud			
14	13120016	2	Stud			
15	13120017	2	Stud 12X65			
18	13120019	1	Seal Oil			
19	13120020	1	Housing Assy			
21	13120025	2	Metal			
22	52102257	5	Bolt DIN 933 M8-20 8.8			
25	13110027	1	Plate LOWER			



[NP] Not provided



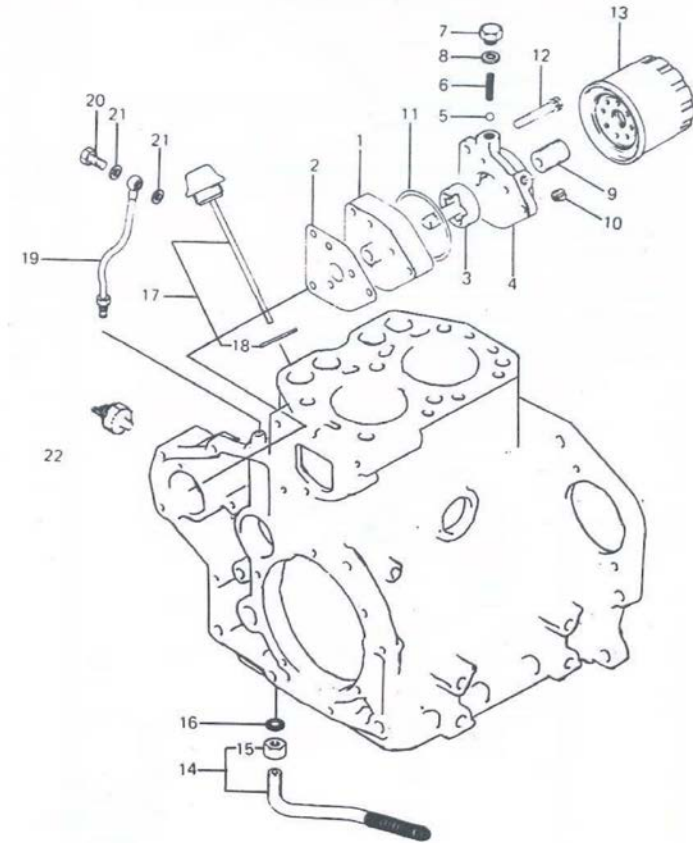
D_MI18_1_8		Crankshaft, Piston & Connecting Rod			
FIG.	REF.	QTY	DESCR.	FROM	UPTO
1A	13122001	2	Piston & Pin [NP]		
1B	13122002	2	Piston & Pin Set 0,25 [NP]		
1C	13122003	2	Piston & Pin Set [NP]		
1D	13122004	2	Piston & Pin Set		
1E	13122005	2	Piston & Pin Set		
2A	13122006	2	Ring Set Piston S		
2B	13122007	2	Ring Set Piston O		
2C	13122008	2	Ring Set Piston O		
2D	13122009	2	Ring Set Piston O		
3	13122011	4	Clip Piston Pin		
4	13122012	2	ROD Assy		
5	13122013	4	Bolt,connecting rod		
7A	13122014	2	Bearing Set CON R		
7B	13122015	2	Bearing Set CON R		
7C	13122016	2	Bearing Set CON R		
7D	13122017	2	Bearing Set CON R		
8	13122018	1	Shaft CRANK [NP]		
9	13122019	1	Plate CrankShaft		
10	13122020	2	Key		
11	13122021	1	Gear CrankShaft		
12	13122022	1	PIECE DISTANCE		
13	(*)	1	Not available [NP]		
14	13122024	1	Pulley CrankShaft		
15	13122025	1	Washer Plain		
16	13122026	1	Nut		
17	13122027	1	Flywheel Assy [NP]		
18	13122028	1	Flywheel SUB Assy [NP]		
19	13122029	1	Gear		
20	13122030	4	Washer		
21	13122031	4	Bolt		
22	13122023	2	Bearing SLEEVE		



[NP] Not provided



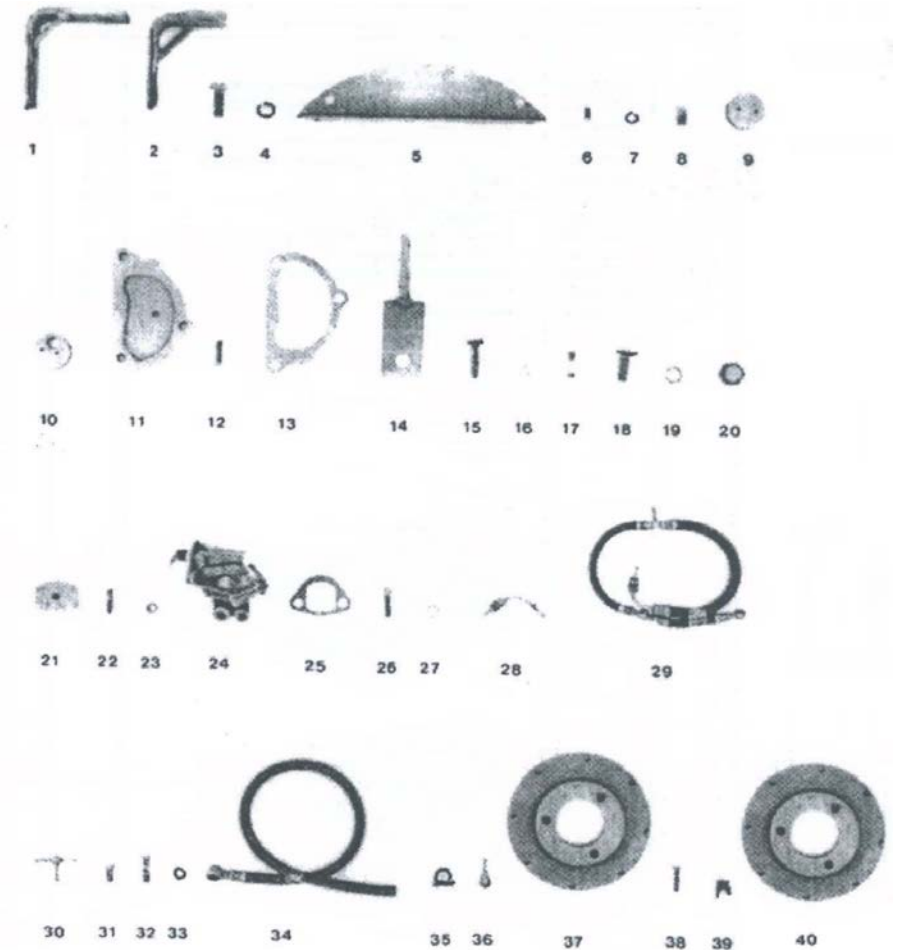
D_MI18_1_10		Oil System				
FIG.	REF.	QTY	DESCR.	FROM	UPTO	
1	13124040	1	Body Oil Pump			
2	13124041	1	Gasket Oil Pump B			
3	13124042	1	Rotor Assy			
4	13124061	1	Cover Pump oil			
5	40525224	1	Ball			
6	13124044	1	Spring Oil RELIEF			
7	13124045	1	Plug Screw			
8	13124046	1	Gasket			
9	13124047	1	Shaft Oil Filter			
10	13124048	1	Plug			
11	13124049	1	O-Ring D. 68X2			
12	52101263	3	Bolt DIN 931 M8-50 8.8			
13	13124051	1	Filter Oil Element			
14	13124052	1	Screen Assy,Oil			
15	13124053	1	Nut			
16	13124001	1	Washer			
17	13124055	1	Cap Assy Oil FILL [NP]			
18	13124056	1	Packing [NP]			
19	13124057	1	Pipe Assy Oil			
20	13124058	1	Bolt EYE			
21	13124059	1	Gasket			
22	13124060	1	Switch			



[NP] Not provided



D_MI18_1_12		Engine Brackets & Feeding			
FIG.	REF.	QTY	DESCR.	FROM	UPTO
1	13110001	1	Bracket,Front RIGHThand Side		
2	13110002	1	Bracket Front LEFThand Side		
3	52202359	4	Bolt DIN 933 M12-1,25-30 8.8		
4	53033012	4	Washer GROWER DIN 127-12		
5	13110027	1	Plate LOWER		
6	52102256	7	Bolt DIN 933 M8-15 8.8		
7	53033008	7	Washer GROWER DIN 127-8		
8	13110004	1	Plug Water DRAIN		
9	13110005	1	Plug Block		
10	13110006	1	Plug Engine Water Inlet		
11	13110007	1	Cover Water		
12	52102258	3	Bolt DIN 933 M8-25 8.8		
13	13110008	1	Gasket Cover		
14	13110010	2	Support REAR		
15	52101310	4	Bolt DIN 931 M10-35 8.8		
16	51120010	6	Nut DIN 934 M10 8.8		
17	13110011	2	Stud		
18	52202359	6	Bolt DIN 933 M12-1,25-30 8.8		
19	53038012	6	Washer DIN 6798-A 12		
20	(*)	1	Not available [NP]		
21	13110009	1	Engine Anode		
22	13110012	1	Stud ZINC		
23	52120008	2	Nut DIN 934 M8 8.8		
24	13114001	1	Pump Fuel Supply		
25	13114002	1	Gasket		
26	52103258	2	Bolt DIN 912 M8-25 8.8		
27	53038008	2	Washer DIN 6798-A 8		
28	13114003	1	Pipe Inlet		
29	13114005	1	Pipe Pump TO Filter		
30	13114006	1	JET		
31	13114007	1	Screw SHORT Connector		
32	13114008	1	Screw LONG Connector		
33	56000007	5	Washer 8-13-1		
34	13114009	1	Pipe Filter TO Injection Pump		
35	54081007	2	Clamp DIN 3017 8-12-7,5 W2		

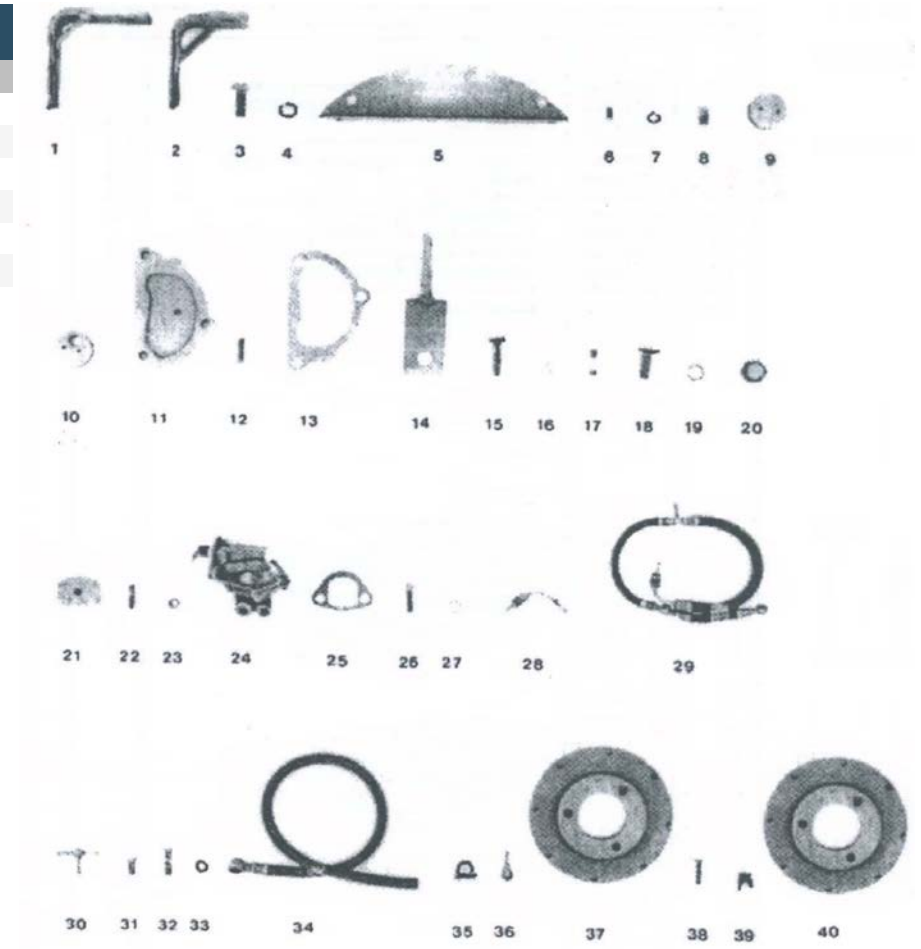


[NP] Not provided





D_MI18_1_12		Engine Brackets & Feeding			
FIG.	REF.	QTY	DESCR.	FROM	UPTO
36	13114011	1	Connector SPHERICAL OverFLOW		
37	13112002	1	Plate Reverse Gear Coupling		
38A	52102156	8	Bolt DIN 933 M6-16 8.8		
38B	52102158	8	Bolt DIN 933 M6-25 8.8		
39	22110106	3	BOSH,driver		
40	13112004	1	Flexible Coupling Type A D.155	17/09/2015	





D_MI18_3_2		Cooling System			
FIG.	REF.	QTY	DESCR.	FROM	UPTO
1	13111001	1	Plug Cylinder Head		
2	13111010	1	Pipe Inlet Assembly [NP]		
3	13111015	1	Elbow Rubber		
4	13111011	1	Connector OverFLOW Inlet		
5	13111012	1	Filter Air Assy		
6	52202308	2	Bolt DIN 933 M10-1,25-25 8.8		
7	53038008	2	Washer DIN 6798-A 8		
8	13111013	1	Support CANIAGE Front		
10	52202307	1	Bolt DIN 933 M10-1,25-20 8.8		
11	53033010	2	Washer GROWER DIN 127-10		
13	13111020	1	NANIFold Assembly EXHOUST		
14	12111004	4	Cap,cylinder		
15	52202308	4	Bolt DIN 933 M10-1,25-25 8.8		
16	53033010	4	Washer GROWER DIN 127-10		
17	13111023	1	Elbow, Wet Exhaust		
18	52102259	4	Bolt DIN 933 M8-30 8.8		
19	52120008	4	Nut DIN 934 M8 8.8		
20	53033008	4	Washer GROWER DIN 127-8		
21	13111025	1	Housing Thermostat		
22	12111073	1	Cover,thermostat [NP]		
23	12111071	1	Thermostat		
24	12111079	1	Gasket,Thermostat		
25	12111077	1	Elbow,water inlet		
26	52103257	2	Bolt DIN 912 M8-20 8.8		
28	32111002	1	Cover Pump		
29	32111005	1	Cam		
30	55307102	1	Bolt DIN 86 W3/16-7		
31	32111026	1	DISCK Seal HOLDING		
32	32111008	1	1/4" Impeller		
33	32111001	1	Body Pump		
34	32111010	1	Shaft Pump		
35	31211116	1	SELFOil D. 12X16X23		
36	32111020	2	Seal Shaft 12-22-7		
37	32111003	1	Gasket,cover		
38	12111081	1	Hose Connection 1/4"	26/06/2017	



[NP] Not provided
 [NS] Not shown

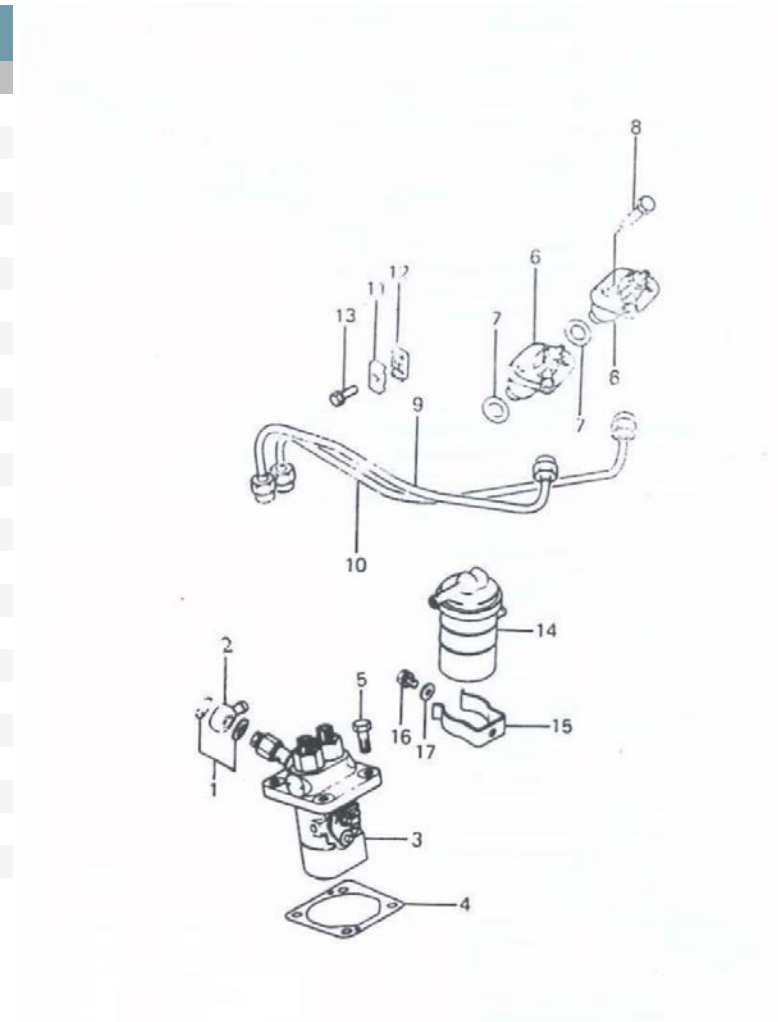




D_MI18_3_2		Cooling System			
FIG.	REF.	QTY	DESCR.	FROM	UPTO
38	12111078	1	Elbow,water inlet [NP]		25/06/2017
39	12111082	2	Water Outlet Elbow		
40	32111023	1	Gasket		
41	52102156	2	Bolt DIN 933 M6-16 8.8		
42	12111026	1	Drive,water pump		
43	13111030	1	Pipe 12-21-470		
44	13111031	1	Elbow Jet		
45	13111032	1	Assy,Fuel Return		
46	13111033	1	Elbow Thermostat ENTLET		
47	12811008	2	Water Outlet Elbow		
48	13111036	2	Pipe 12-21-45		
49	13111037	3	Elbow Rubber		
50	13111034	1	Connector Elbow Inlet		
51	54081012	12	Clamp DIN 3017 12-22/9 W4		
52	13127080	1	SWITCH THERMO		
53	15113043	1	Exhaust Elbow Gasket		
54	13211054	1	Engine Water OutLER Gasket		
NS	32111000	1	1/4" Water Pump "J" Set [NS]		
NS	13111014	1	Support CANIAGE REAR [NS]		
NS	55307104	6	Bolt DIN 86 W3/16-10 [NS]		



D_MI18_4_1		Fuel Pipe				
FIG.	REF.	QTY	DESCR.	FROM	UPTO	
1	13124001	2	Washer			
2	13124002	1	COLLAR,union			
3	13125001	1	Pump Assy Fuel IN			
4A	13124003	0	Shim Adjusting T=0,2mm [VAR]			
4B	13124004	0	Shim Adjusting T=0,3mm [VAR]			
4C	13124005	0	Shim Adjusting T=0,4mm [VAR]			
4D	13124006	0	Shim Adjusting T=0,5mm [VAR]			
4E	13124007	0	Shim Adjusting T=0,6mm [VAR]			
4F	13124008	0	Shim Adjusting T=0,7mm [VAR]			
4G	13124009	0	Shim Adjusting T=0,8mm [VAR]			
4H	13124010	0	Shim Adjusting T=0,9mm [VAR]			
4I	13124011	0	Shim Adjusting T=1,0mm [VAR]			
5	52102257	4	Bolt DIN 933 M8-20 8.8			
6	13126001	2	Nozzle			
7	13124013	2	Gasket Nozzle HOL			
8	52101262	4	Bolt DIN 931 M8-45 8.8			
9	13124015	1	Pipe Fuel Injection			
10	13124016	1	Pipe Fuel Injection			
11	13124017	1	Clamp (B)			
12	13124018	1	Clamp (A)			
13	13124019	1	Bolt			
14	13124020	1	Filter Assy Fuel			
15	13124021	1	Clamp Filter			
16	13123005	1	Bolt DIN 933 M6-12 8.8 [NP]			
17	51030006	1	Washer DIN 125-6			

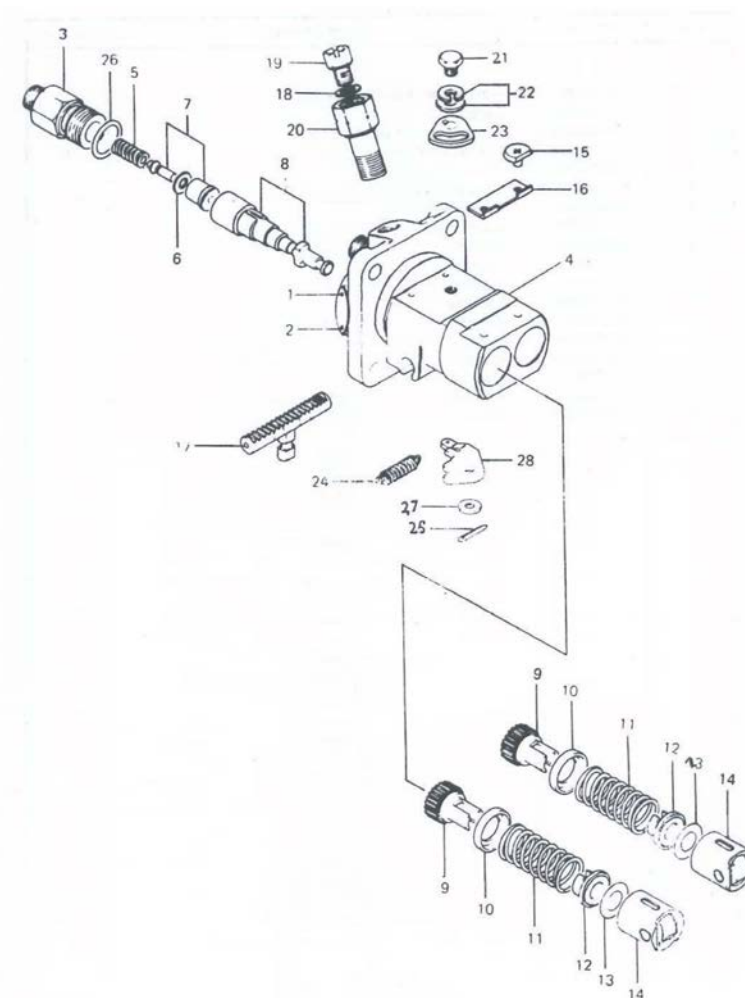


[NP] Not provided

[VAR] Variable according to repair



D_MI18_4_2		Fuel Injection Pump			
FIG.	REF.	QTY	DESCR.	FROM	UPTO
1	13125002	1	Plate NAME [NP]		
1-29	13125001	1	Pump Assy Fuel IN		
2	13125003	2	RIVET		
3	13125004	2	Holder DELIVERY V		
4	13125005	1	Housing Assy		
5	13125006	2	Spring DELIVERY V		
6	13125007	2	Gasket DELIVERY V		
7	13125008	2	Valve SUB Assy DE		
8	13125009	2	Element SUB Assy		
9	13125010	2	SLEEVE		
10	13125012	2	Spring Plunger		
11	13125012	2	Spring Plunger		
12	13125013	2	Seat Spring LOWER		
13A	13125014	0	Shim Adjusting T=0,60 [VAR]		
13B	13125015	0	Shim Adjusting T=0,2 [VAR]		
13C	13125016	0	Shim Adjusting T=0,3 [VAR]		
13D	13125017	0	Shim Adjusting T=0,4 [VAR]		
13E	13125018	0	Shim Adjusting T=0,5 [VAR]		
13F	13125019	0	Shim Adjusting T=0,25 [VAR]		
13G	13125020	0	Shim Adjusting T=0,35 [VAR]		
14	13125021	2	Tappet SUB Assy		
15	13125022	2	Pin Tappet Guide		
16	13125023	1	Plate		
17	13125024	1	RACK		
18	13125025	1	Washer		
19	13125026	1	Screw Air BRETATH		
20	13125027	1	Screw HOLLOW		
21	13125028	1	Bolt Washer ASSEM		
22	(*)	1	Not available [NP]		
23	13125030	1	Plate Assy Pressure		
24	13125031	1	Spring Return		
25	13125032	1	Pin SPLIT		
26	13125033	2	O-Ring D. 15X2,5		
27A	13125034	1	Washer Plate T=0,1mm		
27B	13125035	1	Washer Plate T=0,2mm		

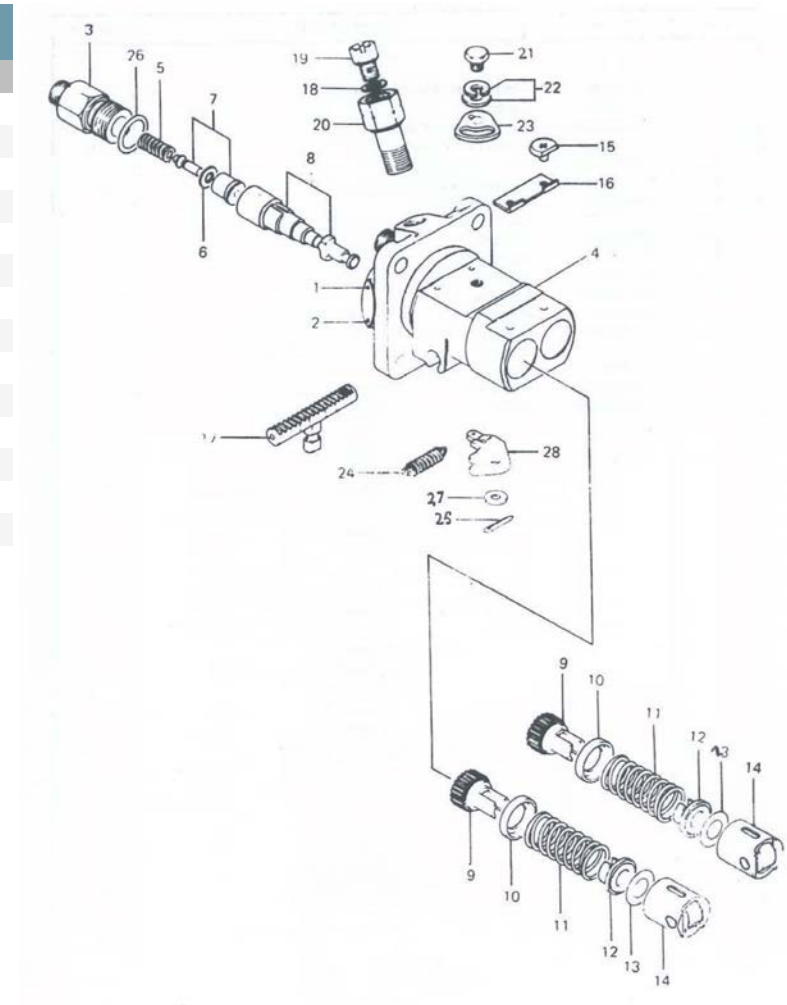


[NP] Not provided

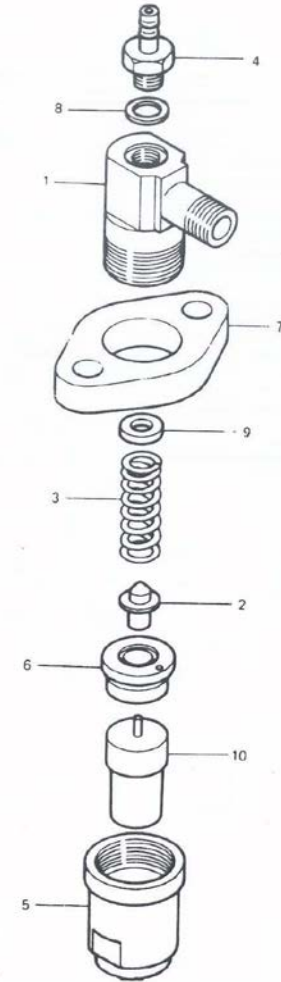
[VAR] Variable according to repair



D_MI18_4_2		Fuel Injection Pump			
FIG.	REF.	QTY	DESCR.	FROM	UPTO
27C	13125036	1	Washer Plate T=0,25mm		
27D	13125037	1	Washer Plate T=0,5mm		
28A	13125038	1	Stopper		
28B	13125039	1	Stopper		
28C	13125040	1	Stopper		
28D	13125041	1	Stopper		
28E	13125042	1	Stopper		
28F	13125043	1	Stopper		
28G	13125044	1	Stopper		
28H	13125045	1	Stopper		
28I	13125046	1	Stopper		
28J	13125047	1	Stopper		
28K	13125048	1	Stopper		
28L	13125049	1	Stopper		
28M	13125050	1	Stopper		



D_MI18_4_3		Nozzle				
FIG.	REF.	QTY	DESCR.	FROM	UPTO	
1	13126002	1	Body			
2	13126003	1	Pin			
3	13126004	1	Spring			
4	13126005	1	Screw, Racord			
5	13126006	1	Nut RETAINING			
6	13126007	1	PIECE DISTANCE			
7	13126008	1	Flange			
8	56000006	1	Washer 8-12-1			
9A	13126010	0	Washer [VAR]			
9B	13126011	0	Washer [VAR]			
9C	13126012	0	Washer [VAR]			
9D	13126013	0	Washer [VAR]			
9E	13126014	0	Washer [VAR]			
9F	13126015	0	Washer [VAR]			
9G	13126016	0	Washer [VAR]			
9H	13126017	0	Washer [VAR]			
0	13126001	2	Nozzle			
10	13126018	2	Nozzle Assy			
NS	13114007	1	Screw SHORT Connector [NS]			
NS	13114008	1	Screw LONG Connector [NS]			
NS	13114011	1	Connector SPHERICAL OverFLOW [NS]			

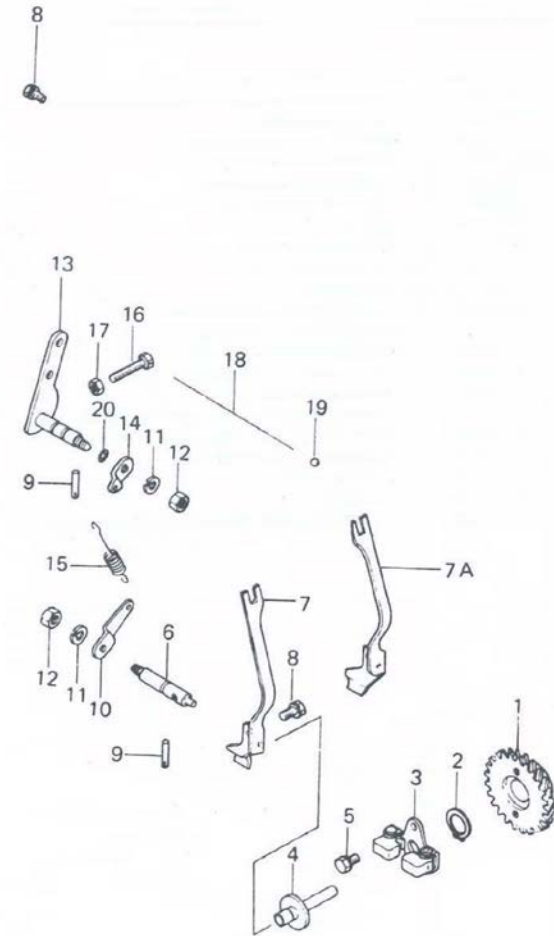


[NS] Not shown

[VAR] Variable according to repair



D_MI18_4_4		Governor Parts				
FIG.	REF.	QTY	DESCR.	FROM	UPTO	
1	13123001	1	Gear GOverNOR			
2	53040020	1	CIRClip DIN 471 E-20			
3	13123003	1	WEIGHT Assy GOver			
4	13123004	1	Shaft Sliding			
5	13123005	2	Bolt DIN 933 M6-12 8.8 [NP]			
6	13123006	1	Shaft GOverNOR			
7	13123007	1	Lever ForK			
8	52102156	1	Bolt DIN 933 M6-16 8.8			
9	13123009	2	Pin GROOVED			
10	13123010	1	Lever GOverNOR SP			
11	53033008	2	Washer GROWER DIN 127-8			
12	52120008	2	Nut DIN 934 M8 8.8			
13	13123014	1	Lever Assy Speed			
14	13123015	1	Lever GOverNOR SP			
15	13123016	1	Spring GOverNOR			
16	13123017	1	Bolt High Speed			
17	52120006	1	Nut DIN 934 M6 8.8			
18	13123019	1	Metal Sealing			
19	17623020.4	1	Metal,Fuel	02/08/2017		
19	13123020	1	Metal,Fuel [NP]		02/08/2017	
20	13123021	1	O-Ring D. 7X1.8			

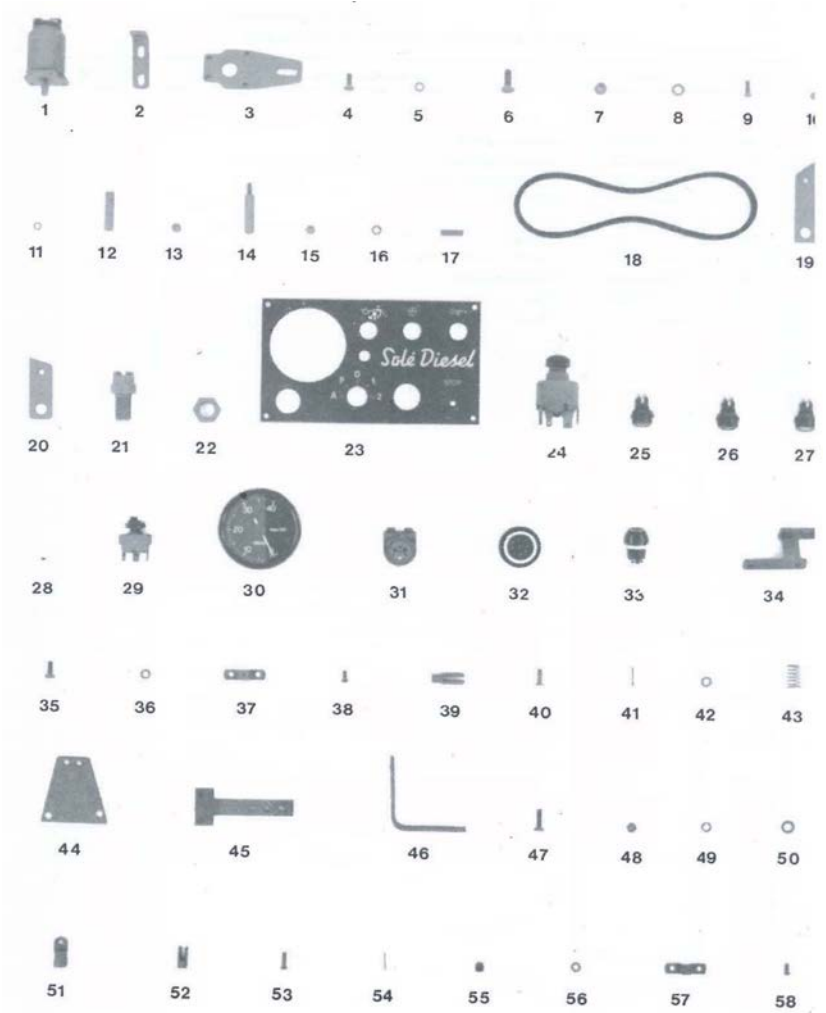


[NP] Not provided





D_MI18_5_1		Electrical System & Engine Control			
FIG.	REF.	QTY	DESCR.	FROM	UPTO
1	13117001	1	Stop Solenoid		
2	13117002	1	Bracket		
3	13117003	1	TENSION DEVICE		
4	52102156	2	Bolt DIN 933 M6-16 8.8		
5	53033006	2	Washer GROWER DIN 127-6		
6	52102257	1	Bolt DIN 933 M8-20 8.8		
7	52120008	1	Nut DIN 934 M8 8.8		
8	53033008	1	Washer GROWER DIN 127-8		
9	51102106	4	Bolt DIN 933 M5-15 8.8		
*	60931000	1	Panel MINI-18		
10	52120005	4	Nut DIN 934 M5 8.8		
11	53033005	4	Washer GROWER DIN 127-5		
12	13127005	1	Shim Adjusting		
13	52120006	1	Nut DIN 934 M6 8.8		
14	13117006	1	ROD Control		
15	52120006	1	Nut DIN 934 M6 8.8		
16	53033006	1	Washer GROWER DIN 127-6		
17	14619040	1	Spring,stop		
18	13117015	1	Belt Type AVX 10 613		
19	13117008	1	Bracket REGUL.RIGHTHOUD Side		
20	13117009	1	Bracket REGUL.LEFT HOUD Side		
21	13119057	1	TRANSMITTER R.P.M COMTER		
23	60931001	1	Panel		
24	60900031	1	Key-Locking Switch		
25	60900050	1	LAMP, oil press.		
26	60900051	1	LAMP, charge		
27	60900052	1	LAMP, water temp.		
28	60900045	3	Bulb 12V 3W Connector B		
30	60900010	1	TACHOMETER VDO 4000-RPM [NP]		
31	60931095	1	LAMP Glow		
32	60900060	1	Alarm, SWITCH		
33	60900040	1	Pushbutton Stop [NP]		13/07/2017
33	60900049	1	Pushbutton Stop [NP]		13/07/2017
34	13119001	1	Bracket Morse MOTOR		
35	52102156	2	Bolt DIN 933 M6-16 8.8		

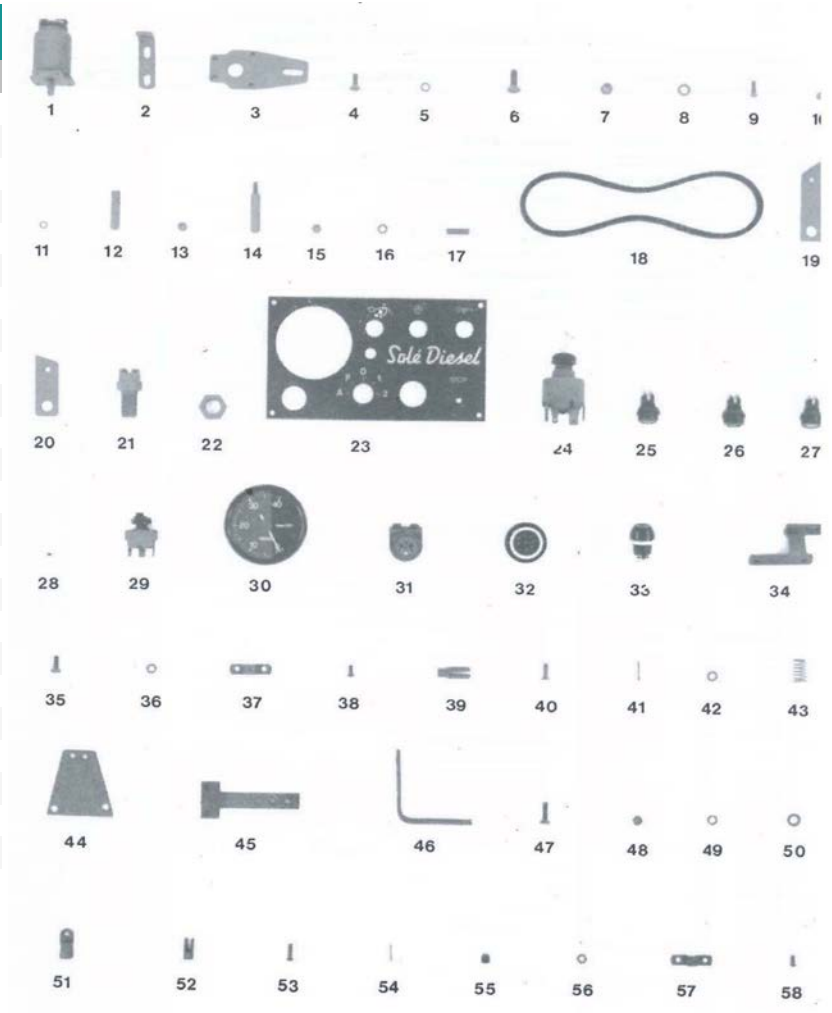


[NP] Not provided
[NS] Not shown

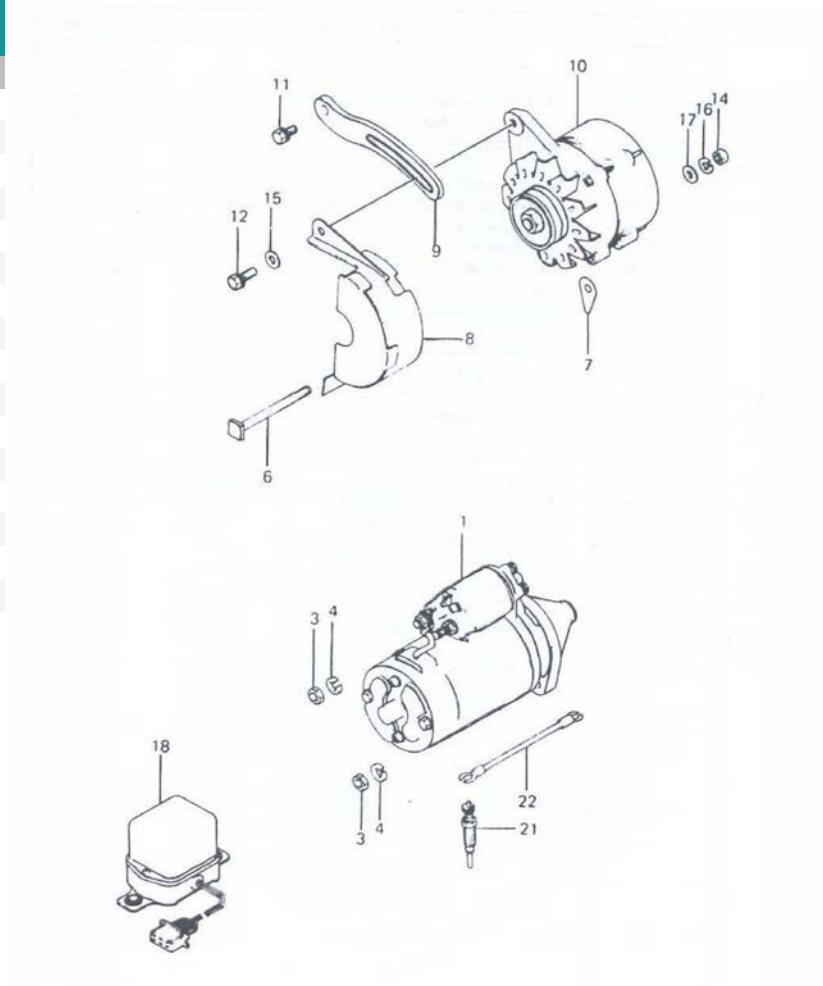




D_MI18_5_1		Electrical System & Engine Control			
FIG.	REF.	QTY	DESCR.	FROM	UPTO
36	53033006	2	Washer GROWER DIN 127-6		
37	14719013	1	Clamp,cable		
38	55307104	2	Bolt DIN 86 W3/16-10		
39	13119003	1	SPLIT PIECE		
40	14719034	1	Pin		
41	51051107	1	Pin DIN-94 1,6-16		
42	51030006	1	Washer DIN 125-6		
43	13119005	1	Spring Control		
44	13119015	1	Bracket Morse REVERSE Gear		
45	12119020	1	Bracket,Gear box control		
46	12119021	1	SUPPORT Clamp		
47	52102157	4	Bolt DIN 933 M6-20 8.8		
48	52120006	4	Nut DIN 934 M6 8.8		
49	51030006	5	Washer DIN 125-6		
50	53033008	5	Washer GROWER DIN 127-8		
51	14719025	1	Bracket,split piece		
52	14719028	1	SPLIT,piece		
53	14719027	1	Pin		
54	51051107	1	Pin DIN-94 1,6-16		
55	52114304	1	Bolt DIN 916 M10-10 UMBR		
56	51030005	2	Washer DIN 125-5		
57	14719013	1	Clamp,cable		
58	55307105	2	Bolt DIN 86 W3/16-13		
NS	60931200	1	Wire, electrical MINI-18 [NS]		



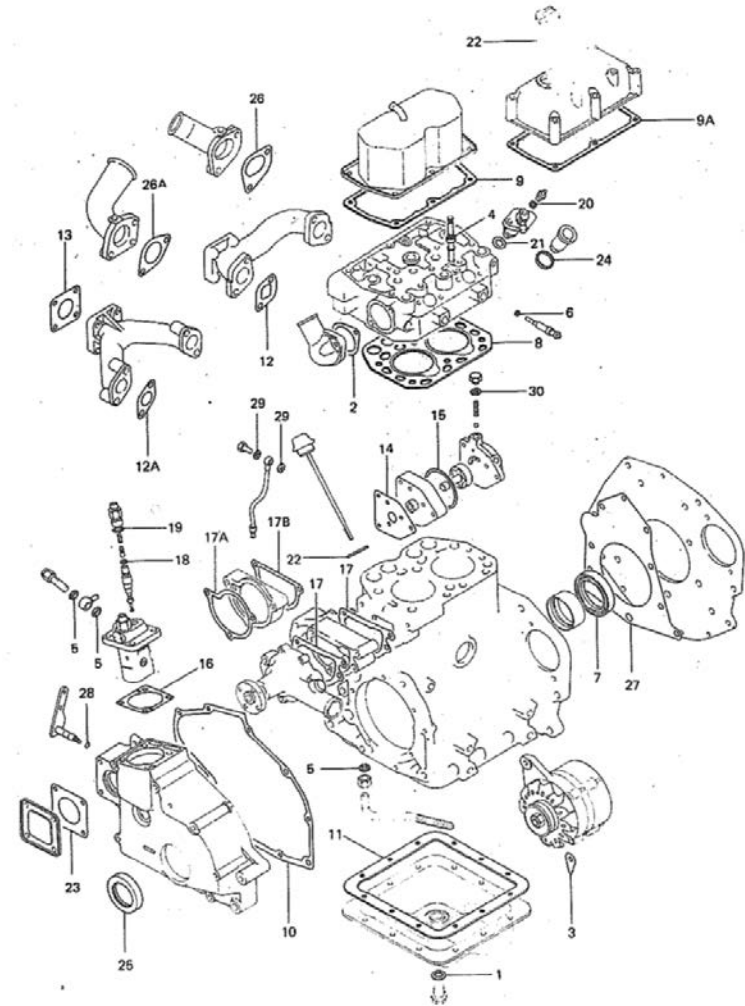
D_MI18_5_2		Electrical System 2				
FIG.	REF.	QTY	DESCR.	FROM	UPTO	
1	13127001	1	Starter Assy 12 V			
3	13122045	2	Nut			
4	53033010	2	Washer GROWER DIN 127-10			
6	13127004	1	Bolt			
7	13127005	5	Shim Adjusting			
8	13127006	1	Cover Generator			
9	13127007	1	Brace Generator [NP]			
10	13127010	1	Alternator			
11	52102257	1	Bolt DIN 933 M8-20 8.8			
12	52102258	1	Bolt DIN 933 M8-25 8.8			
14	52220012	1	Nut DIN 934 M12-1,25 8.8			
15	51030008	1	Washer DIN 125-8			
16	53033008	1	Washer GROWER DIN 127-8			
17	51030008	1	Washer DIN 125-8			
18	13127016	1	REGULATOR Assy			
21	13127017	2	Plug Glow Type V-110			
22	13127018	1	Wire Glow Plug LE			



[NP] Not provided



D_13120101		Gasket Kit			
FIG.	REF.	QTY	DESCR.	FROM	UPTO
1	13120032	1	Washer 18-23-1,5 [NP]		
1-30	13120101	1	Kit Gasket		
2	13120031	2	Plug,oil drain		
3	13127005	3	Shim Adjusting		
5	13124001	3	Washer		
8	13121022	1	Gasket Cylinder Head		
9	13121010	1	Gasket Rocker Cover		
10	13120040	1	Gasket GearCase		
11	13120033	1	Gasket Oil Pan		
12	13121036	2	Gasket Exhaust MA		
14	13124041	1	Gasket Oil Pump B		
15	13124049	1	O-Ring D. 68X2		
16A	13124003	1	Shim Adjusting T=0,2mm		
16B	13124004	1	Shim Adjusting T=0,3mm		
16C	13124005	1	Shim Adjusting T=0,4mm		
16D	13124006	1	Shim Adjusting T=0,5mm		
16E	13124007	1	Shim Adjusting T=0,6mm		
16F	13124008	1	Shim Adjusting T=0,7mm		
16G	13124009	1	Shim Adjusting T=0,8mm		
16H	13124010	1	Shim Adjusting T=0,9mm		
16I	13124011	1	Shim Adjusting T=1,0mm		
17	13121022	2	Gasket Cylinder Head		
18	13125007	2	Gasket DELIVERY V		
19	13125033	2	O-Ring D. 15X2,5		
21	13124013	2	Gasket Nozzle HOL		
22	13124056	1	Packing [NP]		
23	13120047	1	Gasket Water Pump		
24	13121012	4	Gasket CHAMBER [NP]		
26	13121035	1	Gasket		
28	13123021	1	O-Ring D. 7X1.8		
29	13124059	2	Gasket		
30	13124046	1	Gasket		

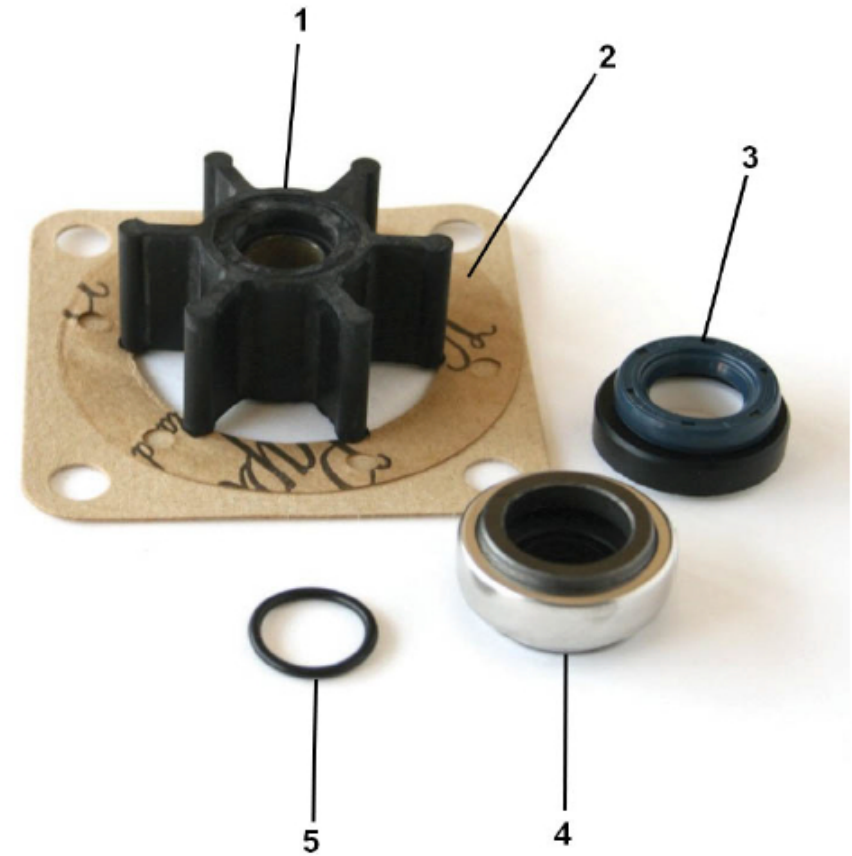


[NP] Not provided

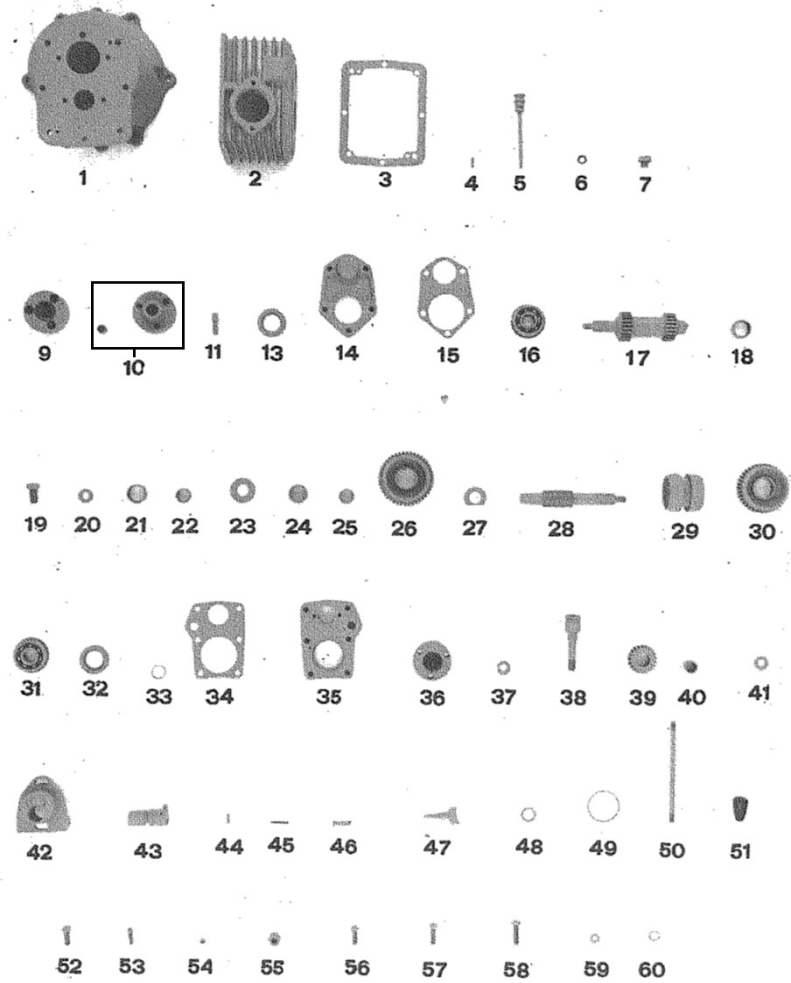




32111000K		Repair Kit Water Pump "B"			
FIG.	REF.	QTY	DESCR.	FROM	UPTO
1	32111008	1	1/4" Impeller		
2	32111003	1	Gasket,cover		
3	32111020	1	Seal Shaft 12-22-7		
4	33211014	1	Ball Bearing 6001-2RS		
5	32111023	1	Gasket		



D_22313100		GearBox RONIM III R.2,00			
FIG.	REF.	QTY	DESCR.	FROM	UPTO
1	22310020	1	Housing,rear		
1-60	22313100	1	GearBox RONIM 3 M-18 2:1		
2	22313002	1	Housing,rear [NP]		
3	22310003	1	Gasket		
4	22210007	2	Pin		
5	22310008	1	Plug,oil level		
6	25210010	1	O-Ring D. 10,77X2,62		
7	22310011	1	Plug,oil drain		
9A	22310021	1	Housing,rear MINI-10 [NP]		
9B	22310005	1	Flange,input		
10	(*)	1	Not available [NP]		
11	22110004	3	Pin		
13	22210103	1	Seal,oil BA 30-47-7		
14	22310102	1	Cover,front [NP]		
15	22310105	1	Gasket		
16	22210104	2	Ball Bearing 6304-NR		
17	22313101	2	Shaft,input 2:1 [NP]		
18	22210106	2	Bearing,needle		
19	25210222	2	Bolt,blockage		
20	22210219	2	Washer		
21	22210106	2	Bearing,needle		
22	22210207	2	Ring		
23	22310218	2	Spacer,bearing		
24	22210204	2	Bearing,needle		
25	22210205	1	Ring		
26	22313203	2	Gear,front [NP]		
27	22310217	2	Spacer,Gear		
28	22310201	2	Shaft,output [NP]		
29	22310232	2	Cone,clutch [NP]		
30	22310210	2	Gear,rear [NP]		
31	22210104	2	Ball Bearing 6304-NR		
32	22210103	1	Seal,oil BA 30-47-7		
33	22210225	1	O-Ring D. 20X23X1,5		
34	22310209	1	Gasket,rear cover		
35	22310208	1	Cover,rear		



[NP] Not provided
 [NS] Not shown



D_22313100		GearBox RONIM III R.2,00			
FIG.	REF.	QTY	DESCR.	FROM	UPTO
36	22210224	1	Flange,output		
37	22210219	3	Washer		
38	22310301	1	Intermediate Shaft		
39	22210302	1	Gear,INTERMEDIATE		
40	22210306	1	Bearing,needle		
41	22310304	1	Washer,friction [NP]		
42	22310401	1	Control Assy		
43	22310402	1	EXCENTRICA,control		
44	25210418	1	Eccentric Command		
45	25210419	1	Spring,exterior		
46	25210411	1	Spring		
47	22210403	1	ARM,control		
48	25210408	1	O-Ring D. 18,3X25,5X3,6		
49	22310417	1	O-Ring D. 49X2,5		
50	22210413	1	Lever,control		
51	22110416	1	Handle		
52	52102258	2	Bolt DIN 933 M8-25 8.8		
53	52103157	2	Bolt DIN 912 M6-20 8.8		
54	51120006	2	Nut DIN 934 M6 8.8		
55	51123012	3	Nut DIN 985 M12 5.6		
56	52101258	11	Bolt DIN 931 M8-25 8.8		
57	52101259	2	Bolt DIN 931 M8-30 8.8		
58	52101260	5	Bolt DIN 931 M8-35 8.8		
59	51030008	20	Washer DIN 125-8		
60	56000116	1	Washer 12,5-20-2		
NS	22310440	1	Kit [NS]		
NS	22313501	1	Gasket and Seal Kit RONIM 3 [NS]		
NS	22313502	1	Gasket and Seal Kit RONIM 3 [NP] [NS]		

