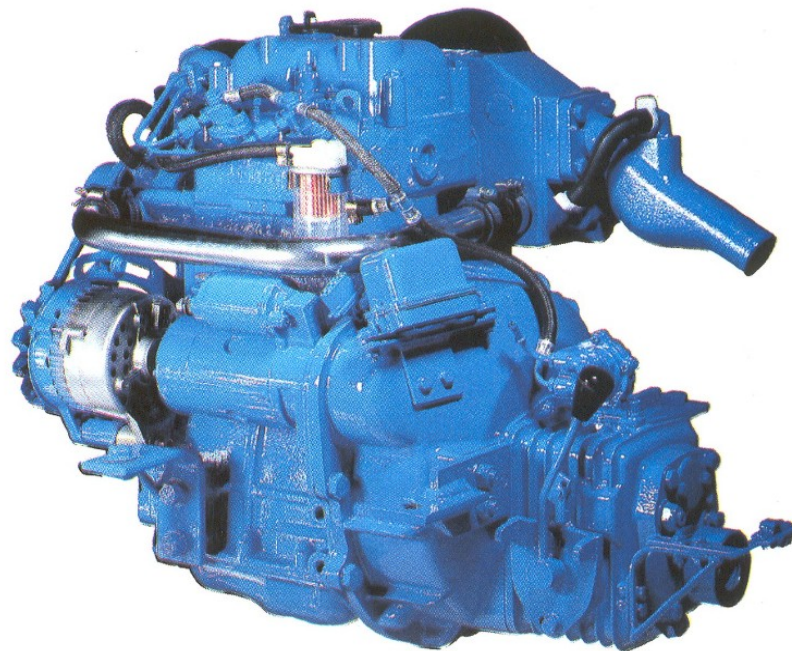




Engine MINI-14  
VERSION 2017-12  
SPARE PARTS MANUAL



## PARTS LIST CATALOGUE

### NORMS TO PLACE AN ORDER:

For fast and more efficient service, please specify the following information on spare parts orders that must be preferably done by FAX or e-mail as specified below:

- 1- Engine model: As shown in identification plate
- 2- Engine serial number: As shown in identification plate and stamped on crankcase
- 3- Item description + part number + quantity required

---

### Spare parts requests must be addressed to:

[recambios@solediesel.com](mailto:recambios@solediesel.com)

Telf.: +34 93 775 44 05

Fax: +34 93 775 30 13

---

The components shown in the catalog have:

- Figure: Number by which they are represented in scheme
  - Description: Trade name of the component
  - Quantity: Total number of parts used in the assembly of the part represented (may differ from the total minimum quantities)
- Hoses, indicates the total length in meters

---

*The diagrams shown in this catalog of spare parts, have only the purpose to identify the piece in question, its representation is not meaningful and may differ from the actual piece.*

*In case of doubt, contact Solé Diesel, or your authorized dealer.*

*The parts i / or references in this catalog are subject to change without notice.*

---

**SOLE, S.A.**

C-243b, Km, 2 - P.O. BOX 15  
08760 Martorell (Barcelona) Spain

---

Download the latest version of this manual [HERE](#)

## Engine body, MINI-14

Cylinder Head  
Oil Pan & Gear Case  
Timing Parts  
Crankcase  
Crankshaft, Piston & Connecting Rod  
Oil System  
Engine Brackets  
Bracket, Engine Control

## Inlet System, MINI-14

Inlet

## Cooling System, MINI-14

Water Pump  
Cooling System 1  
Cooling System 2

## Fuel System, MINI-14

Fuel Pipe  
Fuel Injection Pump  
Nozzle  
Governor Parts

## Electrical System, MINI-14

Electrical System 1  
Electrical System 2

## Maintenance Kit, MINI-14

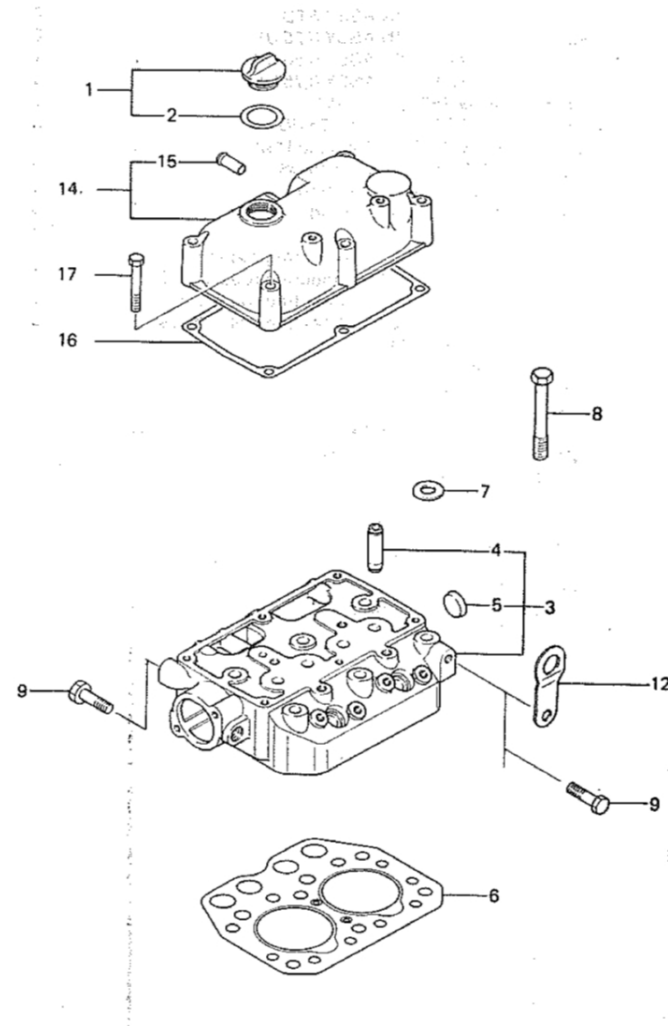
Gasket Kit

## GearBox MINI-14

GearBox RONIM III R.2,00



| D_MI14_1_1 Cylinder Head |          |     |                      |      |      |  |
|--------------------------|----------|-----|----------------------|------|------|--|
| FIG.                     | REF.     | QTY | DESCR.               | FROM | UPTO |  |
| 1                        | 13521003 | 1   | Cap Oil FILLER       |      |      |  |
| 2                        | 13124056 | 1   | Packing [NP]         |      |      |  |
| 3                        | 13521001 | 1   | Head Assy CYLINDE    |      |      |  |
| 4                        | 13521002 | 4   | Guide Valve [NP]     |      |      |  |
| 5                        | 13220012 | 1   | Cap Sealing          |      |      |  |
| 6                        | 13521004 | 1   | Gasket Cylinder H    |      |      |  |
| 7                        | 13121005 | 6   | Washer FINISHED P    |      |      |  |
| 8                        | 13521006 | 6   | Bolt,cylinder head   |      |      |  |
| 9                        | 13127007 | 2   | Brace Generator [NP] |      |      |  |
| 12                       | (*)      | 2   | Not available [NP]   |      |      |  |
| 14                       | 13521009 | 1   | Cover Assy Rocker    |      |      |  |
| 15                       | 13221017 | 1   | Pipe                 |      |      |  |
| 16                       | 13521010 | 1   | Gasket Rocker COV    |      |      |  |
| 17                       | 13520034 | 6   | Bolt                 |      |      |  |

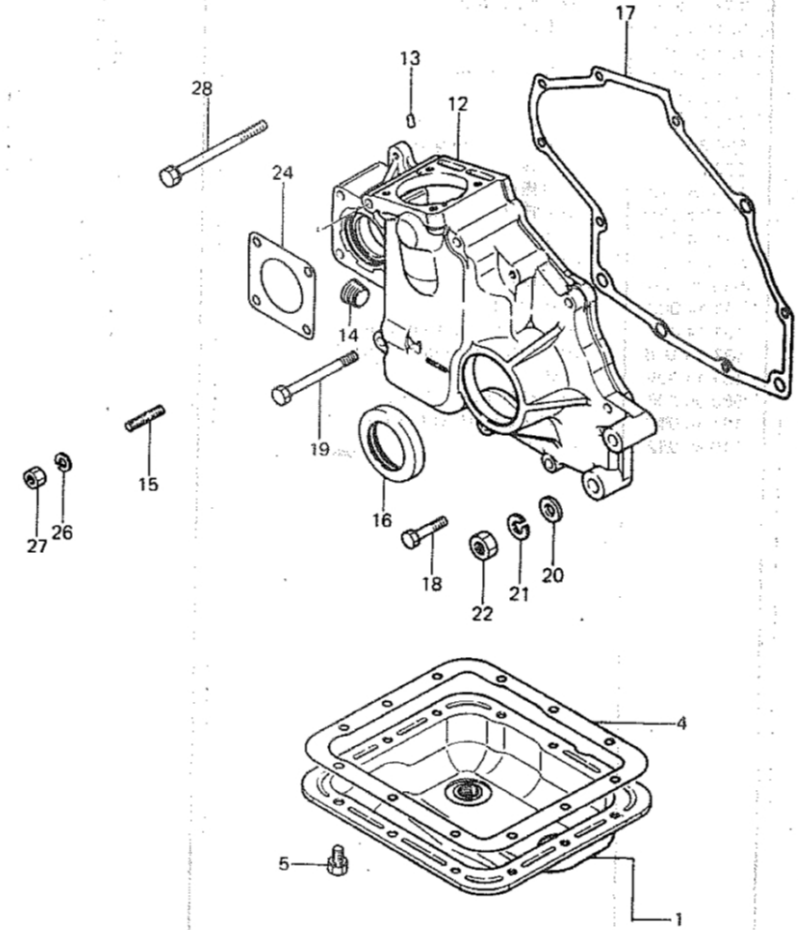


[NP] Not provided





| D_MI14_1_2 |            | Oil Pan & Gear Case |                             |            |            |  |
|------------|------------|---------------------|-----------------------------|------------|------------|--|
| FIG.       | REF.       | QTY                 | DESCR.                      | FROM       | UPTO       |  |
| 1          | 13520030   | 1                   | PAN Assy Oil                |            |            |  |
| 4          | 13520032   | 1                   | Gasket OilPAN               |            |            |  |
| 5          | 13120034   | 12                  | Bolt DIN 933 M8-15 8.8      |            |            |  |
| 12         | 13520034   | 1                   | Bolt                        |            |            |  |
| 13         | 13120036   | 2                   | Pin Dowel [NP]              |            | 02/08/2017 |  |
| 13         | 17620036.4 | 2                   | Pin Dowel                   | 02/08/2017 |            |  |
| 14         | 13120037   | 1                   | Plug TAPER 1/2              |            |            |  |
| 15         | 13120038   | 2                   | Stud                        |            |            |  |
| 16         | 13120039   | 1                   | Seal OIL                    |            |            |  |
| 17         | 13520040   | 1                   | Gasket Gear Case            |            |            |  |
| 18         | 13520042   | 4                   | Bolt DIN 931 M8-35 8.8 [NP] |            |            |  |
| 19         | 13520041   | 2                   | Bolt                        |            |            |  |
| 20         | 13120043   | 2                   | Washer DIN 125-12           |            |            |  |
| 21         | 13120044   | 2                   | Washer GROWER DIN 127-12    |            |            |  |
| 22         | 13120045   | 2                   | Nut DIN 934 M12-1,25 8.8    |            |            |  |
| 24         | 13120047   | 1                   | Gasket Water Pump           |            |            |  |
| 26         | 13120049   | 4                   | Washer GROWER DIN 127-8     |            |            |  |
| 27         | 13120050   | 4                   | Nut DIN 934 M8 8.8          |            |            |  |
| 28         | 13120041   | 1                   | Bolt DIN 931 M8-100 8.8     |            |            |  |

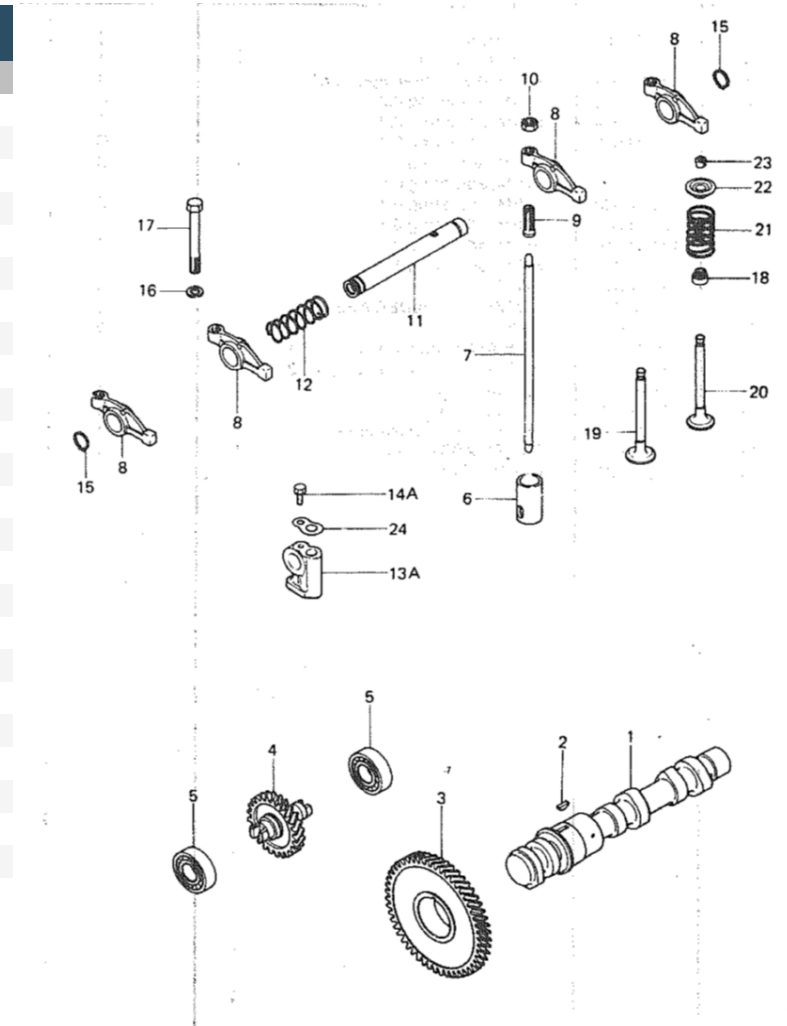


[NP] Not provided





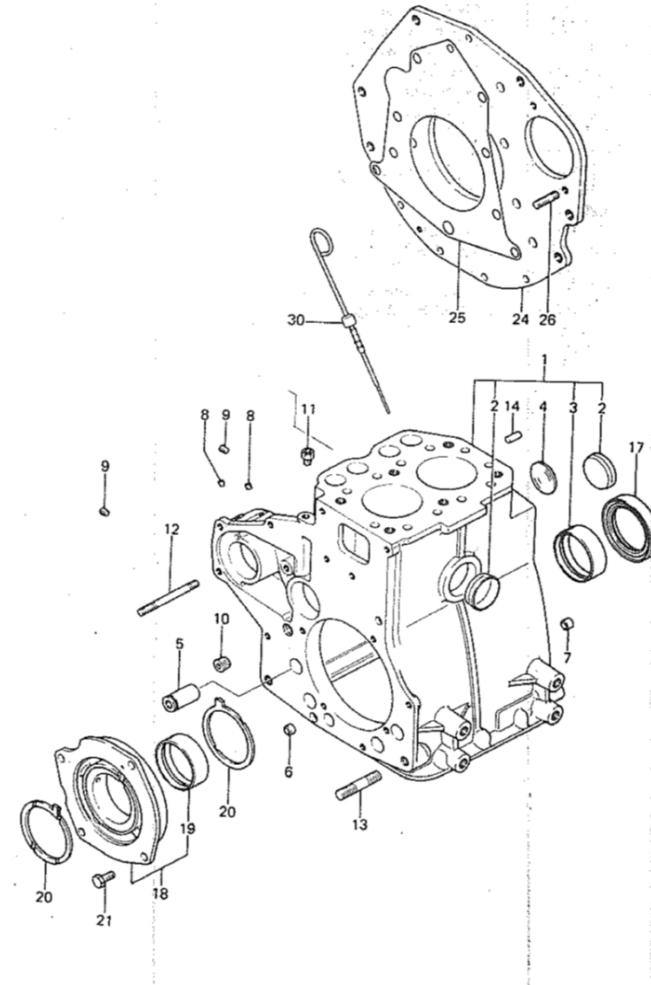
| D_MI14_1_4 |          | Timing Parts |                          |      |      |  |
|------------|----------|--------------|--------------------------|------|------|--|
| FIG.       | REF.     | QTY          | DESCR.                   | FROM | UPTO |  |
| 1          | 13522035 | 1            | CamShaft                 |      |      |  |
| 2          | 13122036 | 1            | KEY                      |      |      |  |
| 3          | 13122037 | 1            | Gear Cam Shaft           |      |      |  |
| 4          | 13122038 | 1            | Gear PRESSUR Oil         |      |      |  |
| 5          | 13122039 | 2            | Ball Bearing 6204        |      |      |  |
| 6          | 13222061 | 4            | Tappet                   |      |      |  |
| 7          | 13522041 | 4            | ROD PUSH                 |      |      |  |
| 8          | 13522042 | 4            | ARM Rocker [NP]          |      |      |  |
| 9          | 13122044 | 4            | Screw Adjusting          |      |      |  |
| 10         | 13122045 | 4            | Nut                      |      |      |  |
| 11         | 13522046 | 1            | Shaft Assy               |      |      |  |
| 12         | 13122047 | 1            | Spring                   |      |      |  |
| 13         | 13222049 | 2            | STAY Rocker              |      |      |  |
| 14         | 13222064 | 2            | Bolt DIN 933 M6-16 8.8   |      |      |  |
| 15         | 13122051 | 2            | CIRClip DIN 471 E-19     |      |      |  |
| 16         | 13122052 | 2            | Washer GROWER DIN 127-10 |      |      |  |
| 17         | 13522053 | 2            | Bolt                     |      |      |  |
| 18         | 13222054 | 4            | Seal Valve Stem          |      |      |  |
| 19         | 13522055 | 2            | Intake Valve             |      |      |  |
| 20         | 13522056 | 2            | Exhaust Valve            |      |      |  |
| 21         | 13222057 | 4            | Spring Valve             |      |      |  |
| 22         | 13222058 | 4            | Retainer                 |      |      |  |
| 23         | 13222059 | 8            | Lock Valve               |      |      |  |
| 24         | 13222063 | 2            | Washer Seat              |      |      |  |



[NP] Not provided



| D_MI14_1_6 |            | Cranckcase |                              |            |            |  |
|------------|------------|------------|------------------------------|------------|------------|--|
| FIG.       | REF.       | QTY        | DESCR.                       | FROM       | UPTO       |  |
| 1          | 13520001   | 1          | Block SUB Assy CY            |            |            |  |
| 2          | 13520013   | 2          | Cap,SeallNG                  |            |            |  |
| 3A         | 13520003   | 1          | Metal Crank Shaft            |            |            |  |
| 3B         | 13520004   | 1          | METAL                        |            |            |  |
| 3C         | 13520005   | 1          | Bearing CRANK SHA            |            |            |  |
| 3D         | 13520006   | 1          | METAL CrankShaft             |            |            |  |
| 4          | 13120007   | 1          | Plug Expansion               |            |            |  |
| 5          | 13120008   | 1          | Shaft GOVERNOR GE            |            |            |  |
| 6          | 13120009   | 2          | Bushing                      |            |            |  |
| 7          | 13520010   | 1          | KNOCK                        |            |            |  |
| 8          | 17820011   | 2          | Plug, Tapered [NP]           | 12/07/2017 |            |  |
| 8          | 13120011   | 2          | Plug, Tapered [NP]           |            | 12/07/2017 |  |
| 9          | 13120012   | 2          | Plug Taper 1/16 [NP]         |            |            |  |
| 10         | 13120013   | 1          | Plug TAPER 1/4               |            |            |  |
| 11         | 13120014   | 1          | Connector                    |            |            |  |
| 12         | 13120015   | 2          | Stud                         |            |            |  |
| 13         | 13520016   | 2          | Stud 12X60                   |            |            |  |
| 14         | 13220020   | 1          | Pin [NP]                     |            | 02/08/2017 |  |
| 14         | 17620020.4 | 1          | Pin                          | 02/08/2017 |            |  |
| 17         | 13120019   | 1          | Seal Oil                     |            |            |  |
| 18         | 13520020   | 1          | Bearing HOUSI                |            |            |  |
| 19A        | 13520003   | 1          | Metal Crank Shaft            |            |            |  |
| 19B        | 13520004   | 1          | METAL                        |            |            |  |
| 19C        | 13520005   | 1          | Bearing CRANK SHA            |            |            |  |
| 19D        | 13520006   | 1          | METAL CrankShaft             |            |            |  |
| 20         | 13120025   | 1          | Metal                        |            |            |  |
| 21         | 13120026   | 4          | Bolt DIN 933 M8-20 8.8       |            |            |  |
| 25         | 13520025   | 1          | Gasket REAR Plate            |            |            |  |
| 26         | 13520028   | 1          | Stud                         |            |            |  |
| 27         | 13520060   | 1          | Pin KNOCK (8X10)             |            |            |  |
| 29         | 13227002   | 9          | Bolt DIN 933 M10-1,25-25 8.8 |            |            |  |
| 30         | 13520029   | 1          | Gauge Oil LEVEL              |            |            |  |

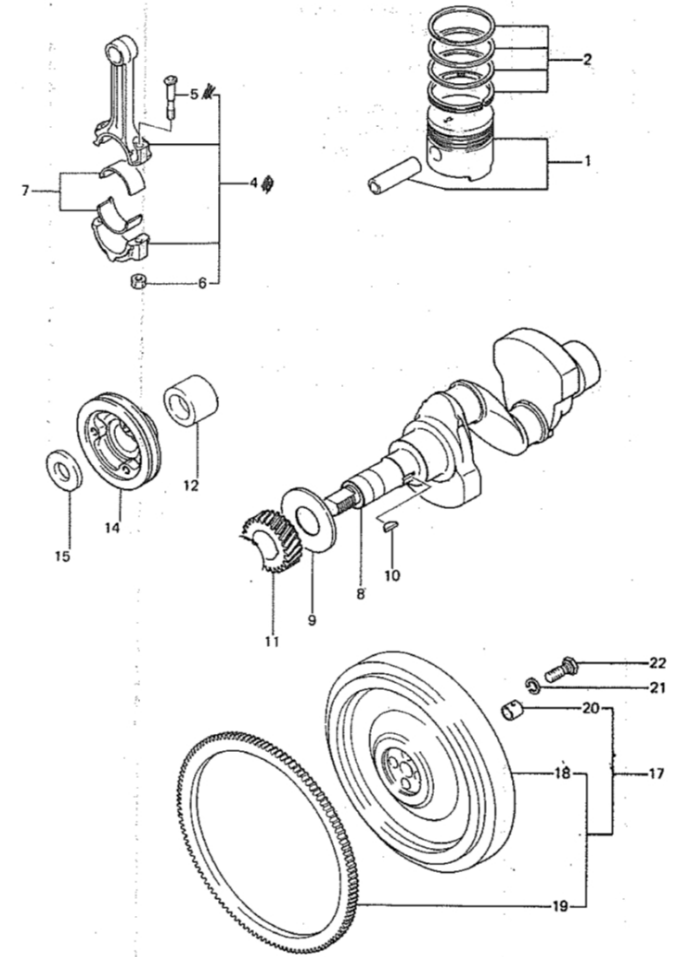


[NP] Not provided





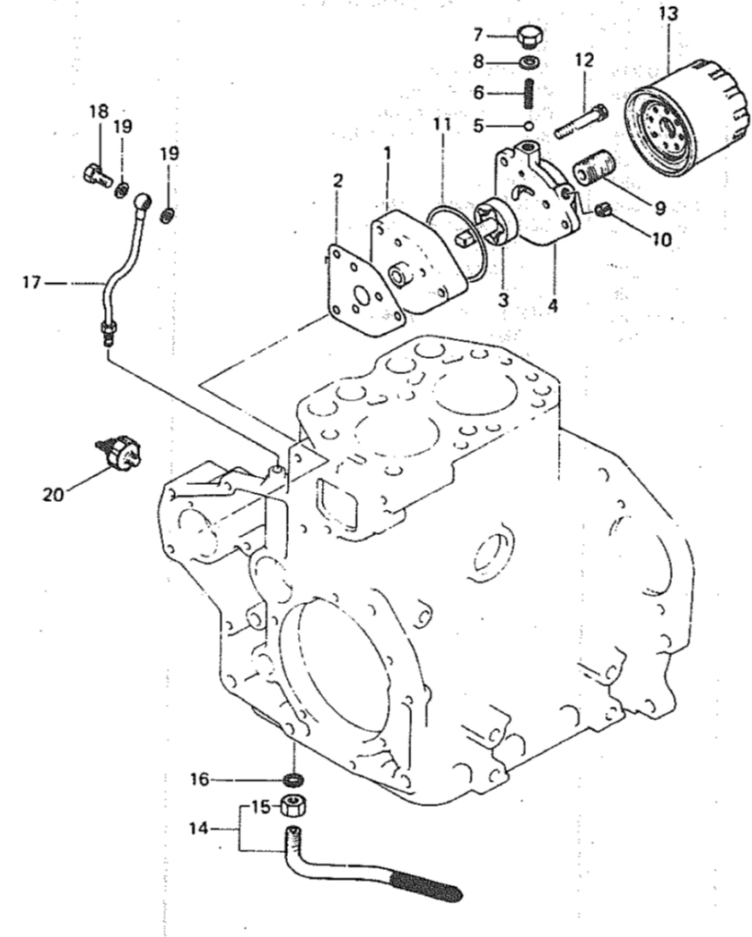
| D_MI14_1_8 |          | Crankshaft, Piston & Connecting Rod |                        |      |      |
|------------|----------|-------------------------------------|------------------------|------|------|
| FIG.       | REF.     | QTY                                 | DESCR.                 | FROM | UPTO |
| 1A         | 13222001 | 2                                   | Piston & PISTON P STD  |      |      |
| 1B         | 13222002 | 2                                   | Piston & PISTON P 0,25 |      |      |
| 1C         | 13222003 | 2                                   | Piston & PISTON P 0,50 |      |      |
| 1D         | 13222004 | 2                                   | Piston & PISTON P 0,75 |      |      |
| 2A         | 13222006 | 2                                   | Ring Set Piston STD    |      |      |
| 2B         | 13222007 | 2                                   | Ring Set Piston O,25   |      |      |
| 2C         | 13222009 | 2                                   | Ring Set Piston O,75   |      |      |
| 4          | 13222012 | 2                                   | ROD Assy               |      |      |
| 5          | 13222013 | 4                                   | Bolt,connecting rod    |      |      |
| 6          | 13222011 | 4                                   | Nut,connecting rod     |      |      |
| 7A         | 13222014 | 2                                   | METAL Set STD          |      |      |
| 7B         | 13222015 | 2                                   | METAL Set 0.25         |      |      |
| 7C         | 13222016 | 2                                   | METAL Set 0.50         |      |      |
| 7D         | 13222017 | 2                                   | METAL Set 0.75         |      |      |
| 8          | 13522018 | 1                                   | Shaft CRANK            |      |      |
| 9          | 13122019 | 1                                   | Plate CrankShaft       |      |      |
| 10         | 13122020 | 2                                   | Key                    |      |      |
| 11         | 13122021 | 1                                   | Gear CrankShaft        |      |      |
| 12         | 13522022 | 1                                   | PIECE DISTANCE         |      |      |
| 14         | 13522024 | 1                                   | Pulley CrankShaft      |      |      |
| 15         | 13122025 | 1                                   | Washer Plain           |      |      |
| 17         | 13522027 | 1                                   | Flywheel Assy [NP]     |      |      |
| 18         | 13522028 | 1                                   | Flywheel [NP]          |      |      |
| 19         | 13122029 | 1                                   | Gear                   |      |      |
| 20         | 13122032 | 1                                   | SELFOil D. 16X19X15    |      |      |
| 21         | 13122030 | 4                                   | Washer                 |      |      |
| 22         | 13122031 | 4                                   | Bolt                   |      |      |
| NS         | 13122026 | 1                                   | Nut [NS]               |      |      |



[NP] Not provided  
 [NS] Not shown

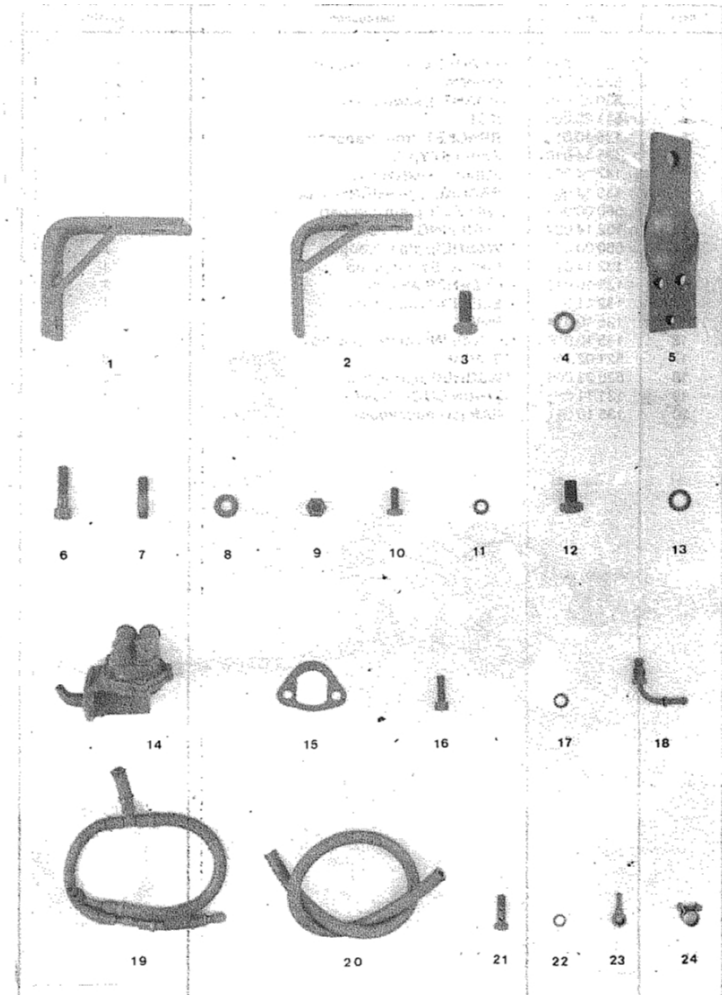


| D_MI14_1_10 |          | Oil Sysem |                        |      |      |  |
|-------------|----------|-----------|------------------------|------|------|--|
| FIG.        | REF.     | QTY       | DESCR.                 | FROM | UPTO |  |
| 1           | 13124040 | 1         | Body Oil Pump          |      |      |  |
| 2           | 13124041 | 1         | Gasket Oil Pump B      |      |      |  |
| 3           | 13124042 | 1         | Rotor Assy             |      |      |  |
| 4           | 13124061 | 1         | Cover Pump oil         |      |      |  |
| 5           | 13124043 | 1         | Ball                   |      |      |  |
| 6           | 13124044 | 1         | Spring Oil RELIEF      |      |      |  |
| 7           | 13124045 | 1         | Plug Screw             |      |      |  |
| 8           | 13124046 | 1         | Gasket                 |      |      |  |
| 9           | 13124047 | 1         | Shaft Oil Filter       |      |      |  |
| 10          | 13124048 | 1         | Plug                   |      |      |  |
| 11          | 13124049 | 1         | O-Ring D. 68X2         |      |      |  |
| 12          | 13124050 | 3         | Bolt DIN 931 M8-50 8.8 |      |      |  |
| 13          | 13124051 | 1         | Filter Oil Element     |      |      |  |
| 14          | 13524052 | 1         | SCREEN Assy Oil        |      |      |  |
| 15          | 13124053 | 1         | Nut                    |      |      |  |
| 16          | 13124001 | 1         | Washer                 |      |      |  |
| 17          | 13524057 | 1         | Pipe Assy Oil [NP]     |      |      |  |
| 18          | 13124058 | 1         | Bolt EYE               |      |      |  |
| 19          | 13124059 | 2         | Gasket                 |      |      |  |
| 20          | 13124060 | 1         | Switch                 |      |      |  |



[NP] Not provided

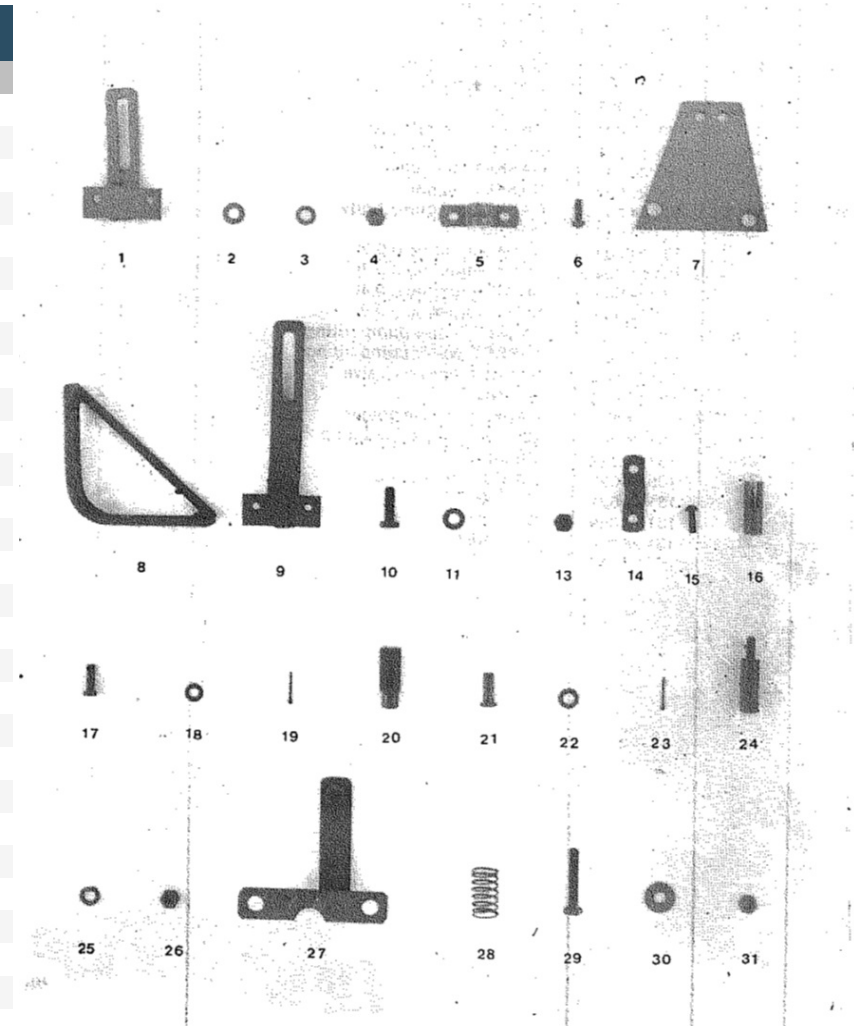
| D_MI14_1_12 |          | Engine Brackets |                               |      |      |
|-------------|----------|-----------------|-------------------------------|------|------|
| FIG.        | REF.     | QTY             | DESCR.                        | FROM | UPTO |
| 1           | 13510001 | 1               | Bracket Front,right           |      |      |
| 2           | 13510002 | 1               | LEFT Front Bracket            |      |      |
| 3           | 52202359 | 4               | Bolt DIN 933 M12-1,25-30 8.8  |      |      |
| 4           | 53033012 | 4               | Washer GROWER DIN 127-12      |      |      |
| 5           | 13210010 | 2               | REAR Bracket                  |      |      |
| 6           | 52103311 | 4               | Bolt DIN 912 M10-40 8.8       |      |      |
| 7           | 13110011 | 2               | Stud                          |      |      |
| 8           | 13110017 | 6               | Washer DIN 125                |      |      |
| 9           | 51123010 | 6               | Nut DIN 985 M10 5.6           |      |      |
| 10          | 51102257 | 4               | Bolt DIN 933 M8-20 8.8        |      |      |
| 11          | 53033008 | 4               | Washer GROWER DIN 127-8       |      |      |
| 12          | 52202357 | 6               | Bolt DIN 933 M12-1,25-20 8.8  |      |      |
| 13          | 53038012 | 6               | Washer DIN 6798-A 12          |      |      |
| 14          | 13114001 | 1               | Pump Fuel Supply              |      |      |
| 15          | 13114002 | 2               | Gasket                        |      |      |
| 16          | 52103258 | 2               | Bolt DIN 912 M8-25 8.8        |      |      |
| 17          | 53038008 | 2               | Washer DIN 6798-A 8           |      |      |
| 18          | 13114003 | 1               | Pipe Inlet                    |      |      |
| 19          | 13514005 | 1               | Pipe,fuel pump to nozzle      |      |      |
| 20          | 13714008 | 1               | Pipe,fuel filter to pump [NP] |      |      |
| 21          | 13114008 | 1               | Screw LONG Connector          |      |      |
| 22          | 56000006 | 5               | Washer 8-12-1                 |      |      |
| 23          | 13114011 | 1               | Connector SPHERICAL OverFLOW  |      |      |
| 24          | 51080012 | 3               | Clamp 12-13                   |      |      |



[NP] Not provided

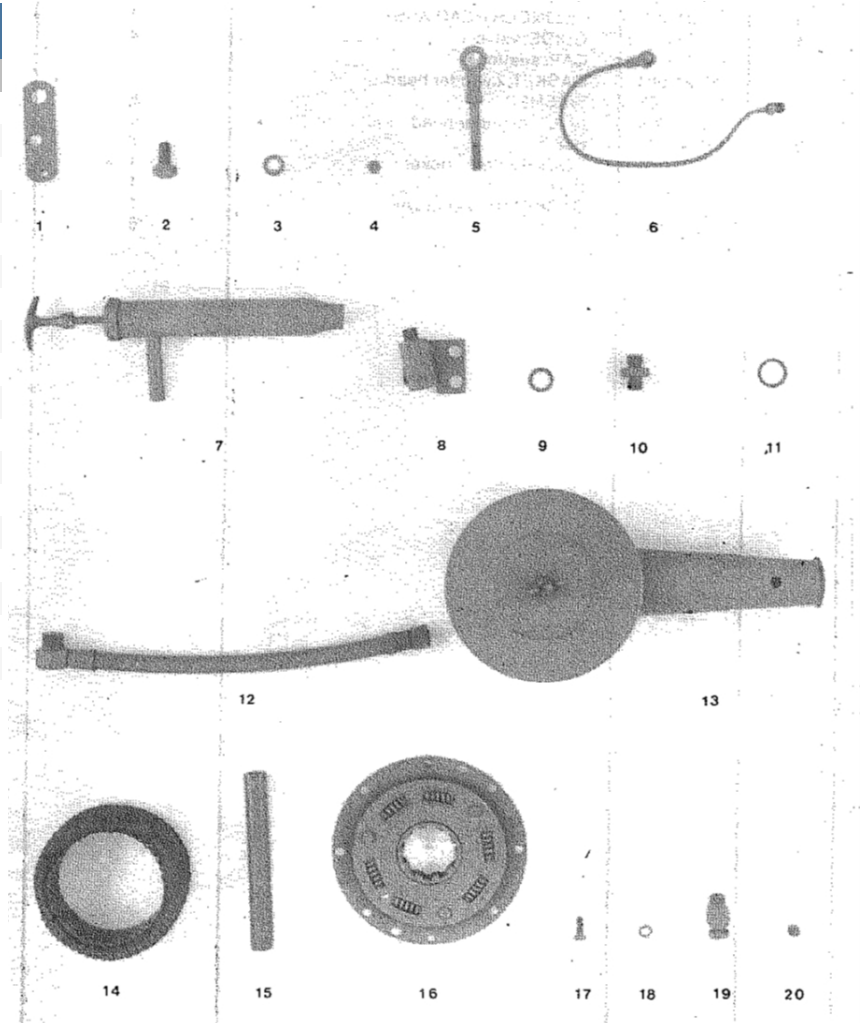


| D_MI14_1_13 |          | Bracket, Engine Control |                            |      |      |  |
|-------------|----------|-------------------------|----------------------------|------|------|--|
| FIG.        | REF.     | QTY                     | DESCR.                     | FROM | UPTO |  |
| 1           | 13519004 | 1                       | Bracket,engine control     |      |      |  |
| 2           | 51030006 | 2                       | Washer DIN 125-6           |      |      |  |
| 3           | 53033006 | 2                       | Washer GROWER DIN 127-6    |      |      |  |
| 4           | 51120006 | 2                       | Nut DIN 934 M6 8.8         |      |      |  |
| 5           | 14719013 | 1                       | Clamp,cable                |      |      |  |
| 6           | 55307105 | 2                       | Bolt DIN 86 W3/16-13       |      |      |  |
| 7           | 13119015 | 1                       | Bracket Morse REVERSE Gear |      |      |  |
| 8           | 12119020 | 1                       | Bracket,Gear box control   |      |      |  |
| 9           | 12119021 | 1                       | SUPPORT Clamp              |      |      |  |
| 10          | 51102157 | 4                       | Bolt DIN 933 M6-20 8.8     |      |      |  |
| 11          | 51030006 | 4                       | Washer DIN 125-6           |      |      |  |
| 12          | 53033006 | 4                       | Washer GROWER DIN 127-6    |      |      |  |
| 13          | 51120006 | 4                       | Nut DIN 934 M6 8.8         |      |      |  |
| 14          | 14719013 | 1                       | Clamp,cable                |      |      |  |
| 15          | 55307105 | 2                       | Bolt DIN 86 W3/16-13       |      |      |  |
| 16          | 13119128 | 1                       | SPLIT,piece special        |      |      |  |
| 17          | 14719027 | 1                       | Pin                        |      |      |  |
| 18          | 51030005 | 2                       | Washer DIN 125-5           |      |      |  |
| 19          | 51051107 | 1                       | Pin DIN-94 1,6-16          |      |      |  |
| 20          | 13119003 | 1                       | SPLIT PIECE                |      |      |  |
| 21          | 14719034 | 1                       | Pin                        |      |      |  |
| 23          | 51051107 | 1                       | Pin DIN-94 1,6-16          |      |      |  |
| 24          | 13519007 | 1                       | TOP,stop                   |      |      |  |
| 25          | 53033006 | 5                       | Washer GROWER DIN 127-6    |      |      |  |
| 26          | 51120006 | 1                       | Nut DIN 934 M6 8.8         |      |      |  |
| 27          | 13519006 | 1                       | Bracket,low speed          |      |      |  |
| 28          | 13519005 | 1                       | Spring,control             |      |      |  |
| 29          | 51102160 | 1                       | Bolt DIN 933 M6-35 5.6     |      |      |  |
| 30          | 51031006 | 1                       | Washer DIN 9021 6          |      |      |  |
| 31          | 51120006 | 2                       | Nut DIN 934 M6 8.8         |      |      |  |



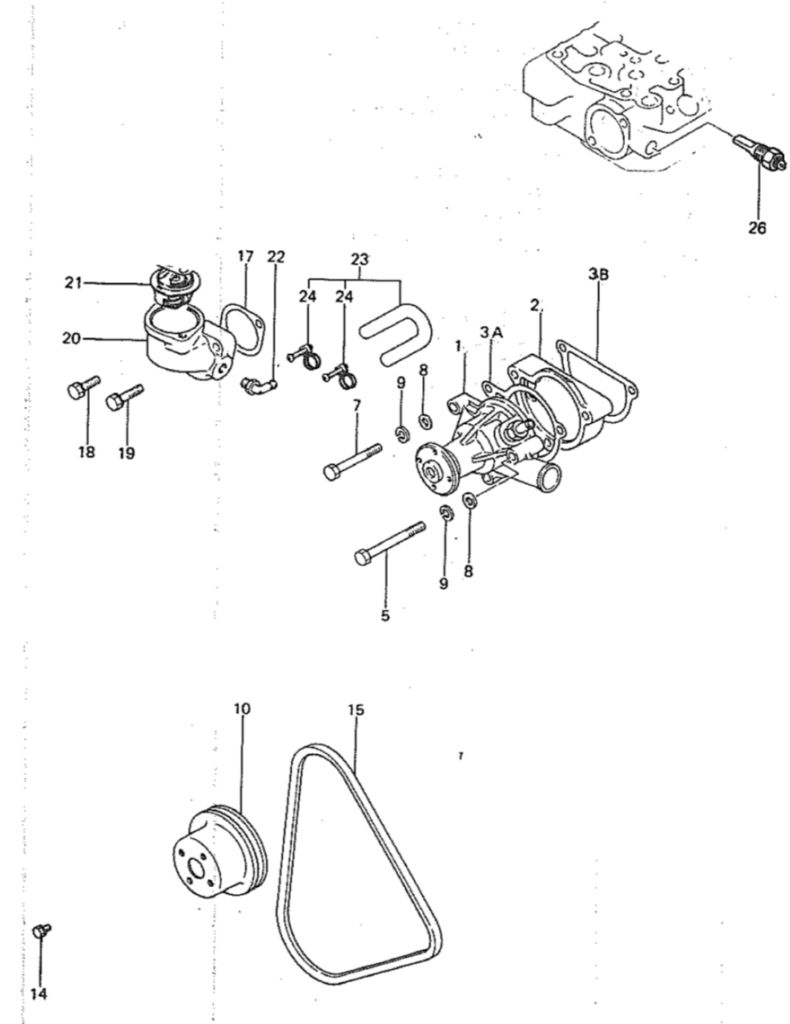


| D_MI14_2_1 |          | Inlet |                                 |      |      |  |
|------------|----------|-------|---------------------------------|------|------|--|
| FIG.       | REF.     | QTY   | DESCR.                          | FROM | UPTO |  |
| 1          | 13111014 | 1     | Support CANIAGE REAR            |      |      |  |
| 2          | 52202307 | 1     | Bolt DIN 933 M10-1,25-20 8.8    |      |      |  |
| 3          | 53033010 | 1     | Washer GROWER DIN 127-10        |      |      |  |
| 4          | 51120006 | 1     | Nut DIN 934 M6 8.8              |      |      |  |
| 6          | 13514010 | 1     | Pipe Assy,oil                   |      |      |  |
| 7          | 14714001 | 1     | Pump,oil Suction                |      |      |  |
| 8          | 13514002 | 1     | Bracket,oil extraction pump     |      |      |  |
| 9          | 56000068 | 3     | Washer 13,5-20-1,5              |      |      |  |
| 10         | 13214024 | 1     | NIPPLE,oil pump bracket         |      |      |  |
| 11         | 56000077 | 2     | Washer 18-23-1,5                |      |      |  |
| 12         | 13214021 | 1     | ExtraCTION Hose                 |      |      |  |
| 13         | 13510012 | 1     | Air Filter Assy                 |      |      |  |
| 14         | 13211013 | 1     | Air Filter Assy                 |      |      |  |
| 15         | 13510014 | 1     | Pipe                            |      |      |  |
| 16         | 13510010 | 1     | Flexible Coupling Type A D. 155 |      |      |  |
| 17         | 52102156 | 8     | Bolt DIN 933 M6-16 8.8          |      |      |  |
| 18         | 53033006 | 8     | Washer GROWER DIN 127-6         |      |      |  |
| 19         | 13111039 | 1     | Plug,taper                      |      |      |  |
| 20         | 13510011 | 1     | Cap,cylinder head               |      |      |  |





| D_MI14_3_1 Water Pump |          |     |                             |      |      |  |
|-----------------------|----------|-----|-----------------------------|------|------|--|
| FIG.                  | REF.     | QTY | DESCR.                      | FROM | UPTO |  |
| 1                     | 13521020 | 1   | Pump Assy Water             |      |      |  |
| 2                     | 13521031 | 1   | Cover Water Pump [NP]       |      |      |  |
| 3                     | 13521022 | 1   | Gasket Water Pump           |      |      |  |
| 5                     | 13521034 | 1   | Bolt (4T:8/85)              |      |      |  |
| 7                     | 13521033 | 2   | Bolt                        |      |      |  |
| 8                     | 13120048 | 3   | Washer DIN 125-8            |      |      |  |
| 9                     | 13120049 | 3   | Washer GROWER DIN 127-8     |      |      |  |
| 10                    | 13221021 | 1   | Pulley Water Pump           |      |      |  |
| 14                    | 13123005 | 4   | Bolt DIN 933 M6-12 8.8 [NP] |      |      |  |
| 15                    | 13521028 | 1   | Belt Type                   |      |      |  |
| 17                    | 13211054 | 1   | Engine Water OutLER Gasket  |      |      |  |
| 18                    | 13521035 | 3   | Bolt DIN 931 M8-30 8.8 [NP] |      |      |  |
| 19                    | (*)      | 1   | Not available [NP]          |      |      |  |
| 20                    | 13521037 | 1   | Fitting Thermostat          |      |      |  |
| 21                    | 13221027 | 1   | Thermostat (71°)            |      |      |  |
| 22                    | 13521026 | 1   | Nipple                      |      |      |  |
| 23                    | 13521025 | 1   | Hose Assy BYPASS [NP]       |      |      |  |
| 24                    | 51080012 | 2   | Clamp 12-13                 |      |      |  |
| 26                    | 13127080 | 1   | SWITCH THERMO               |      |      |  |

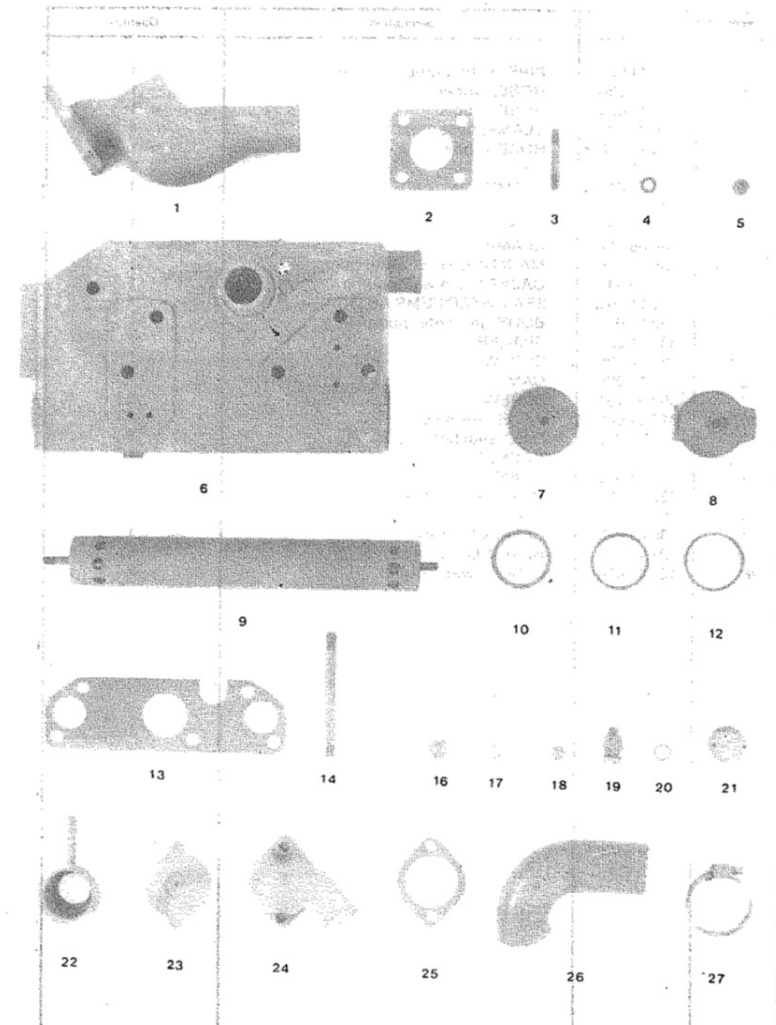


[NP] Not provided





| D_MI14_3_2 |            | Cooling System 1 |                                |            |            |  |
|------------|------------|------------------|--------------------------------|------------|------------|--|
| FIG.       | REF.       | QTY              | DESCR.                         | FROM       | UPTO       |  |
| 1          | 13111023   | 1                | Elbow, Wet Exhaust             |            |            |  |
| 2          | 15113043   | 1                | Exhaust Elbow Gasket           |            |            |  |
| 3          | 13513016   | 4                | Stud,cover                     |            |            |  |
| 4          | 53033008   | 4                | Washer GROWER DIN 127-8        |            |            |  |
| 5          | 54120008   | 4                | Nut DIN 934 M8                 |            |            |  |
| 6          | 13511001   | 1                | Water Cooler Assy MINI-14 [NP] |            |            |  |
| 7          | 13511002   | 1                | Water Cooler Cover             |            |            |  |
| 8          | 13511003   | 1                | Water Cooler Cover             |            |            |  |
| 9          | 13511004   | 1                | Tubular Bundle                 |            |            |  |
| 10         | 13511008   | 1                | O-Ring D. 45X4,5               |            |            |  |
| 11         | 13511010   | 1                | O-Ring D. 45X3                 |            |            |  |
| 12         | 25210417   | 1                | O-Ring D. 47X2,5               |            |            |  |
| 13         | 13511011   | 1                | Gasket                         |            |            |  |
| 14         | 13511012   | 5                | Stud                           |            |            |  |
| 16         | 13511013   | 5                | Nut DIN 1587 M10               |            |            |  |
| 17         | 56000057   | 4                | Washer 8-13-1,5                |            |            |  |
| 18         | 13211016   | 2                | Nut DIN 1587 M8                |            |            |  |
| 19         | 13111038   | 1                | Bolt DIN 933 M10-15 8.8        |            |            |  |
| 20         | 56000062   | 2                | Washer 10,5-16,5-1,5           |            |            |  |
| 21         | 14711010   | 1                | Plug 1"                        |            |            |  |
| 22         | 15111002   | 1                | Cap Mouth                      |            | 26/04/2017 |  |
| 22         | 17411004   | 1                | Adapter, MTA Cap               | 27/04/2017 |            |  |
| 23         | 13811010   | 1                | Cap                            | 27/04/2017 |            |  |
| 23         | 14711003   | 1                | Cap [NP]                       |            | 18/01/2017 |  |
| 23         | 14711003.1 | 1                | Cap                            | 19/01/2017 | 27/04/2017 |  |
| 24         | 13511021   | 1                | Fitting, Water Outlet          |            |            |  |
| 25         | 13211054   | 1                | Engine Water OutLER Gasket     |            |            |  |
| 26         | 13511022   | 1                | Hose Assy,water                |            |            |  |
| 27         | 54082032   | 2                | Clamp DIN 3017 32-50/12 W4     |            |            |  |

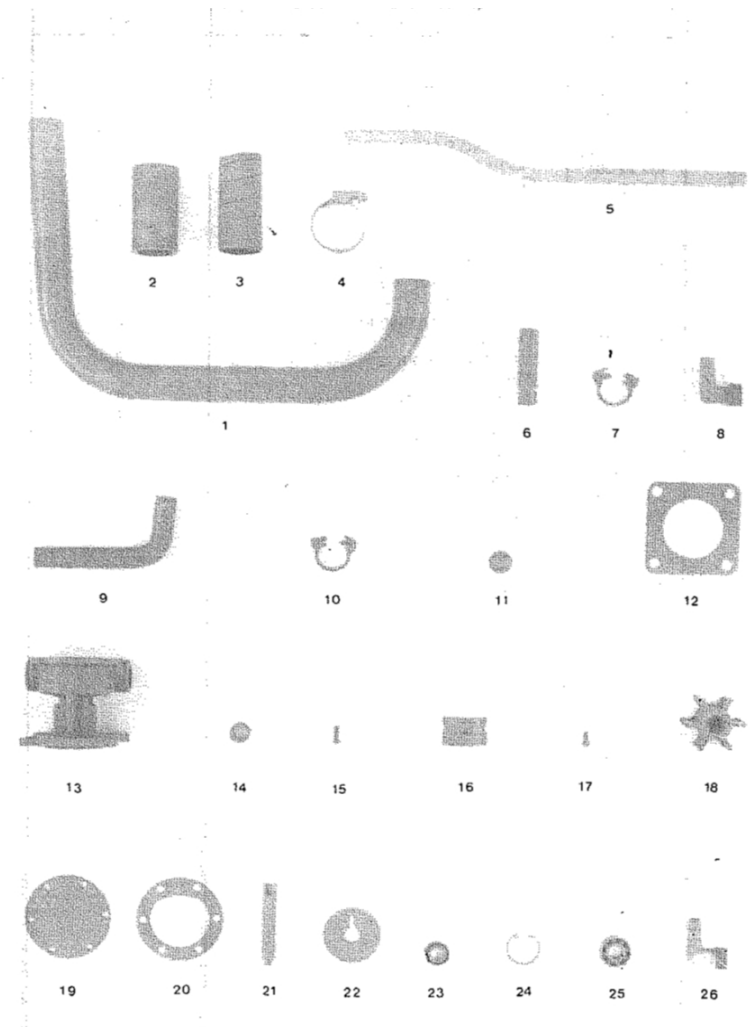


[NP] Not provided





| D_MI14_3_3 |          | Cooling System 2 |                            |            |            |
|------------|----------|------------------|----------------------------|------------|------------|
| FIG.       | REF.     | QTY              | DESCR.                     | FROM       | UPTO       |
| 1          | 13511025 | 1                | Pipe,water pump to cooler  |            |            |
| 2          | 13611038 | 1                | Pipe 30-40-75              |            |            |
| 3          | 13511024 | 1                | Pipe 28-38-80              |            |            |
| 4          | 54082025 | 4                | Clamp DIN 3017 25-40/12 W4 |            |            |
| 5          | 13511028 | 1                | Hose,rubber                |            |            |
| 6          | 13511030 | 2                | Pipe 12-21-60              |            |            |
| 9          | 13111037 | 1                | Elbow Rubber               |            |            |
| 10         | (*)      | 1                | Not available [NP]         |            |            |
| 11         | 13511026 | 1                | MAINTANANCE,water pump     |            |            |
| 12         | 13120047 | 1                | Gasket Water Pump          |            |            |
| 13         | 33211001 | 1                | Body Water Pump            |            |            |
| 13-26      | 33411000 | 1                | 1/2" Water Pump, Seawater  |            |            |
| 14         | 33211015 | 1                | Bushing Spacer             |            |            |
| 15         | 55307105 | 1                | Bolt DIN 86 W3/16-13       |            |            |
| 16         | 31211005 | 1                | Cam                        |            |            |
| 17         | 55307104 | 6                | Bolt DIN 86 W3/16-10       |            |            |
| 18         | 31211008 | 1                | 1/2" Impeller              |            |            |
| 19         | 31211002 | 1                | Cover Pump                 |            |            |
| 20         | 31211003 | 1                | Gasket Cover               |            |            |
| 21         | 31211010 | 1                | Shaft Pump                 |            |            |
| 22         | 33211026 | 1                | Disk                       |            |            |
| 23         | 32111020 | 2                | Seal Shaft 12-22-7         |            |            |
| 24         | 53041028 | 1                | CIRClip DIN 472 I-28       |            |            |
| 25         | 12110030 | 2                | Ball Bearing 6001-C3       |            |            |
| 26         | 12811057 | 2                | Elbow,water outlet         | 24/03/2017 |            |
| 26         | 12811056 | 2                | Elbow,water outlet [NP]    |            | 24/03/2017 |

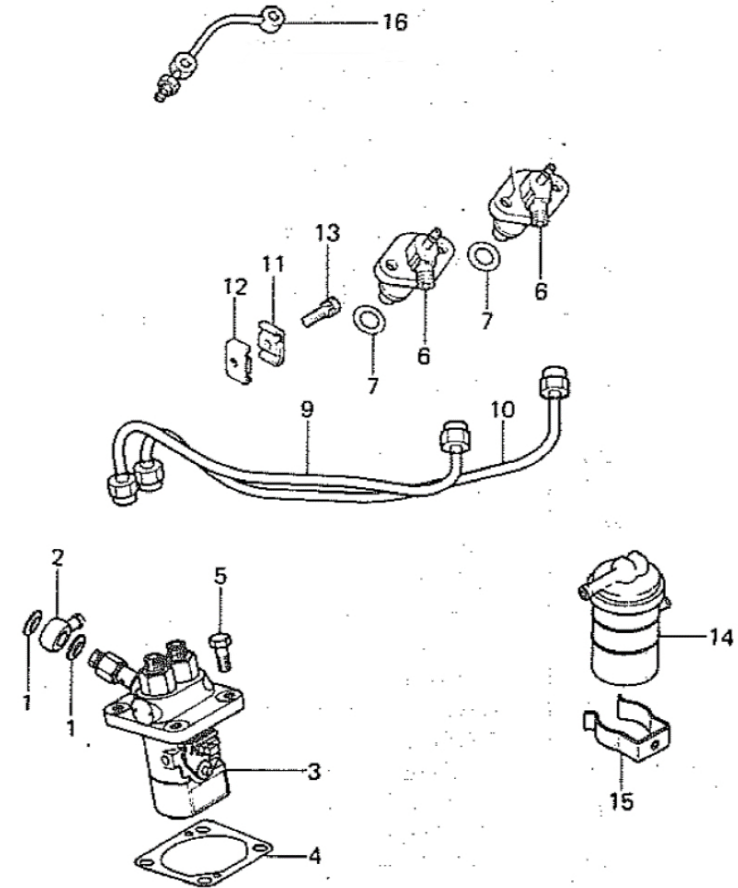


[NP] Not provided





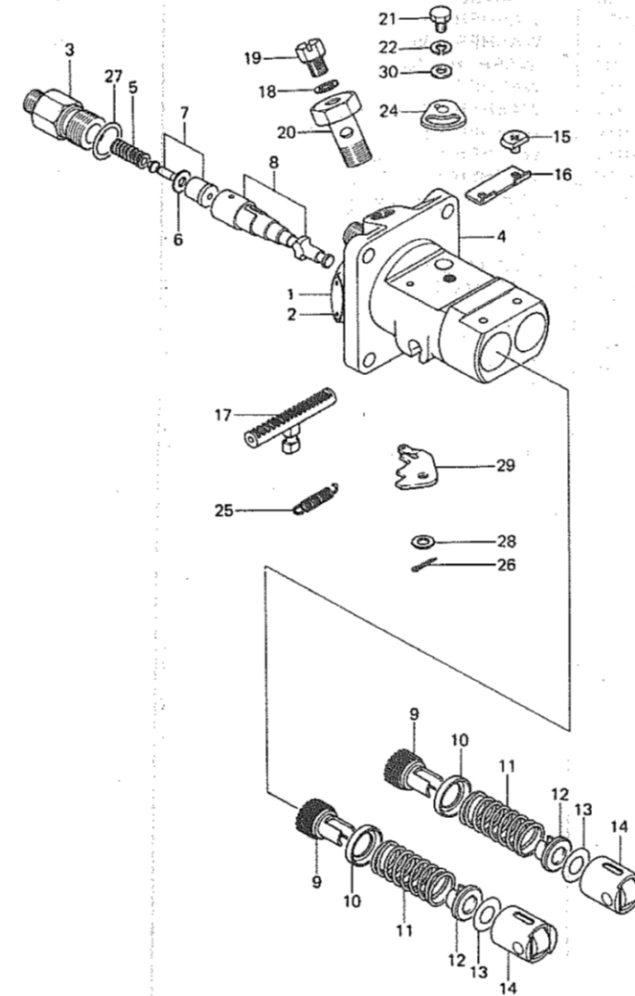
| D_MI14_4_1 |          | Fuel Pipe |                              |      |      |
|------------|----------|-----------|------------------------------|------|------|
| FIG.       | REF.     | QTY       | DESCR.                       | FROM | UPTO |
| 1          | 13124001 | 2         | Washer                       |      |      |
| 2          | 13124002 | 1         | COLLAR,union                 |      |      |
| 3          | 13525001 | 1         | Pump Assy Fuel IN            |      |      |
| 4A         | 13124003 | 0         | Shim Adjusting T=0,2mm [VAR] |      |      |
| 4B         | 13124004 | 0         | Shim Adjusting T=0,3mm [VAR] |      |      |
| 4C         | 13124005 | 0         | Shim Adjusting T=0,4mm [VAR] |      |      |
| 4D         | 13124006 | 0         | Shim Adjusting T=0,5mm [VAR] |      |      |
| 4E         | 13124007 | 0         | Shim Adjusting T=0,6mm [VAR] |      |      |
| 4F         | 13124008 | 0         | Shim Adjusting T=0,7mm [VAR] |      |      |
| 4G         | 13124009 | 0         | Shim Adjusting T=0,8mm [VAR] |      |      |
| 4H         | 13124010 | 0         | Shim Adjusting T=0,9mm [VAR] |      |      |
| 4I         | 13124011 | 0         | Shim Adjusting T=1,0mm [VAR] |      |      |
| 6          | 13126001 | 2         | Nozzle                       |      |      |
| 7          | 13124013 | 2         | Gasket Nozzle HOL            |      |      |
| 9          | 13524015 | 1         | Pipe Injection N.1           |      |      |
| 10         | 13524016 | 1         | Pipe Injection N.2           |      |      |
| 11         | 13124017 | 1         | Clamp (B)                    |      |      |
| 12         | 13124018 | 1         | Clamp (A)                    |      |      |
| 13         | 13124019 | 1         | Bolt                         |      |      |
| 14         | 13124020 | 1         | Filter Assy Fuel             |      |      |
| 15         | 13124021 | 1         | Clamp Filter                 |      |      |
| 16         | 13514018 | 1         | Assy,Fuel Return             |      |      |



[VAR] Variable according to repair



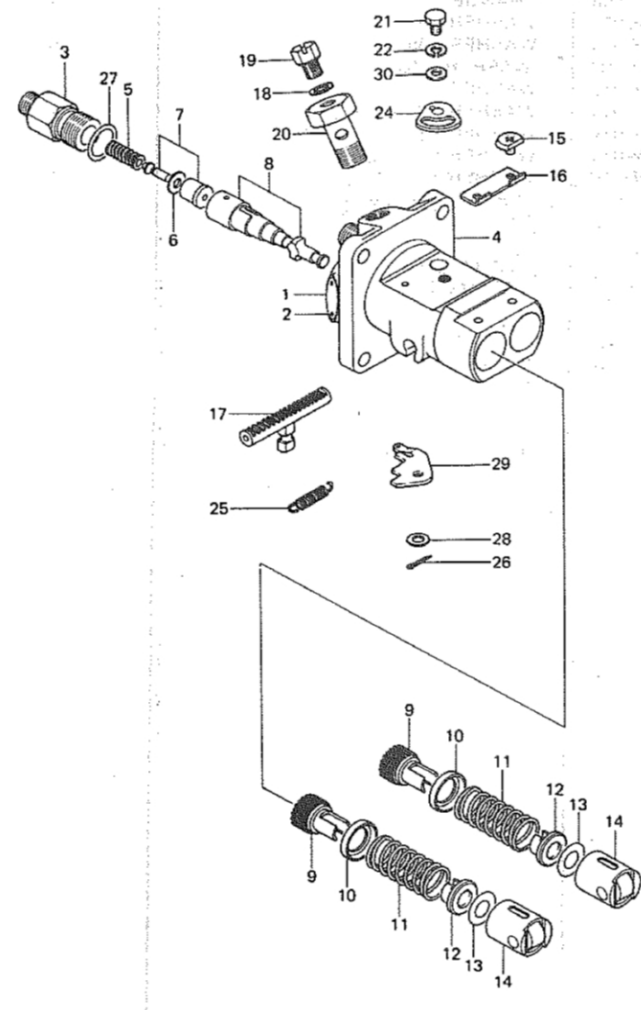
| D_MI14_4_2 |          | Fuel Injection Pump |                             |      |      |
|------------|----------|---------------------|-----------------------------|------|------|
| FIG.       | REF.     | QTY                 | DESCR.                      | FROM | UPTO |
| 1          | 13525002 | 1                   | Plate,name                  |      |      |
| 1-30       | 13525001 | 1                   | Pump Assy Fuel IN           |      |      |
| 2          | 13125003 | 2                   | RIVET                       |      |      |
| 3          | 13125004 | 2                   | Holder DELIVERY V           |      |      |
| 4          | 13125005 | 1                   | Housing Assy                |      |      |
| 5          | 13125006 | 2                   | Spring DELIVERY V           |      |      |
| 6          | 13125007 | 2                   | Gasket DELIVERY V           |      |      |
| 7          | 13125008 | 2                   | Valve SUB Assy DE           |      |      |
| 8          | 13525009 | 2                   | Element Assy                |      |      |
| 9          | 13125010 | 2                   | SLEEVE                      |      |      |
| 10         | 13125011 | 2                   | Seat Spring Upper           |      |      |
| 11         | 13125012 | 2                   | Spring Plunger              |      |      |
| 12         | 13125013 | 2                   | Seat Spring LOWER           |      |      |
| 13A        | 13125014 | 0                   | Shim Adjusting T=0,60 [VAR] |      |      |
| 13B        | 13125015 | 0                   | Shim Adjusting T=0,2 [VAR]  |      |      |
| 13C        | 13125016 | 0                   | Shim Adjusting T=0,3 [VAR]  |      |      |
| 13D        | 13125017 | 0                   | Shim Adjusting T=0,4 [VAR]  |      |      |
| 13E        | 13125018 | 0                   | Shim Adjusting T=0,5 [VAR]  |      |      |
| 13F        | 13125019 | 0                   | Shim Adjusting T=0,25 [VAR] |      |      |
| 13G        | 13125020 | 0                   | Shim Adjusting T=0,35 [VAR] |      |      |
| 14         | 13125021 | 2                   | Tappet SUB Assy             |      |      |
| 15         | 13125022 | 2                   | Pin Tappet Guide            |      |      |
| 16         | 13125023 | 1                   | Plate                       |      |      |
| 17         | 13125024 | 1                   | RACK                        |      |      |
| 18         | 13125025 | 1                   | Washer                      |      |      |
| 19         | 13125026 | 1                   | Screw Air BRETATH           |      |      |
| 20         | 13125027 | 1                   | Screw HOLLOW                |      |      |
| 22         | 13525029 | 1                   | Washer WAVE                 |      |      |
| 24         | 13125030 | 1                   | Plate Assy Pressure         |      |      |
| 25         | 13525031 | 1                   | Spring Return               |      |      |
| 26         | 13125032 | 1                   | Pin SPLIT                   |      |      |
| 27         | 13125033 | 1                   | O-Ring D. 15X2,5            |      |      |
| 28A        | 13125034 | 0                   | Washer Plate T=0,1mm [VAR]  |      |      |
| 28B        | 13125035 | 0                   | Washer Plate T=0,2mm [VAR]  |      |      |
| 28C        | 13125036 | 0                   | Washer Plate T=0,25mm [VAR] |      |      |



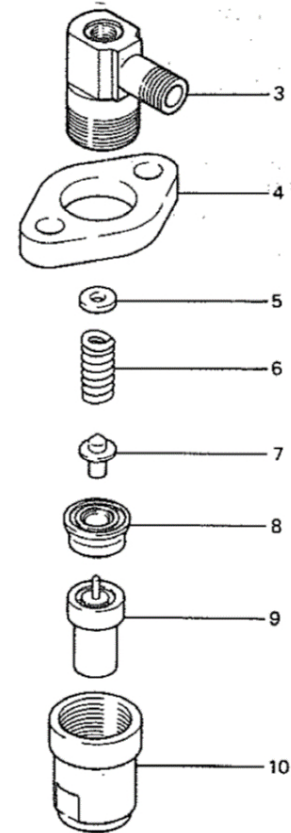
[VAR] Variable according to repair



| D_MI14_4_2 |          | Fuel Injection Pump |                            |      |      |
|------------|----------|---------------------|----------------------------|------|------|
| FIG.       | REF.     | QTY                 | DESCR.                     | FROM | UPTO |
| 28D        | 13125037 | 0                   | Washer Plate T=0,5mm [VAR] |      |      |
| 29A        | 13125038 | 0                   | Stopper [VAR]              |      |      |
| 29B        | 13125039 | 0                   | Stopper [VAR]              |      |      |
| 29C        | 13125040 | 0                   | Stopper [VAR]              |      |      |
| 29D        | 13125041 | 0                   | Stopper [VAR]              |      |      |
| 29E        | 13125042 | 0                   | Stopper [VAR]              |      |      |
| 29F        | 13125043 | 0                   | Stopper [VAR]              |      |      |
| 29G        | 13125044 | 0                   | Stopper [VAR]              |      |      |
| 29H        | 13125045 | 0                   | Stopper [VAR]              |      |      |
| 29I        | 13125046 | 0                   | Stopper [VAR]              |      |      |



| D_MI14_4_3 |          | Nozzle             |               |      |      |  |
|------------|----------|--------------------|---------------|------|------|--|
| FIG.       | REF.     | QTY                | DESCR.        | FROM | UPTO |  |
| 1-10       | 13126001 | 2                  | Nozzle        |      |      |  |
| 3          | 13126002 | 2                  | Body          |      |      |  |
| 4          | 13126008 | 2                  | Flange        |      |      |  |
| 5B         | 13126010 | 0                  | Washer [VAR]  |      |      |  |
| 5C         | 13126012 | 0                  | Washer [VAR]  |      |      |  |
| 5D         | 13126013 | 0                  | Washer [VAR]  |      |      |  |
| 5E         | 13126014 | 0                  | Washer [VAR]  |      |      |  |
| 5F         | 13126015 | 0                  | Washer [VAR]  |      |      |  |
| 5G         | 13126016 | 0 <td Washer [VAR] |               |      |      |  |
| 6          | 13126004 | 2                  | Spring        |      |      |  |
| 7          | 13126002 | 2                  | Body          |      |      |  |
| 9          | 13126018 | 2                  | Nozzle Assy   |      |      |  |
| 10         | 13126006 | 2                  | Nut RETAINING |      |      |  |

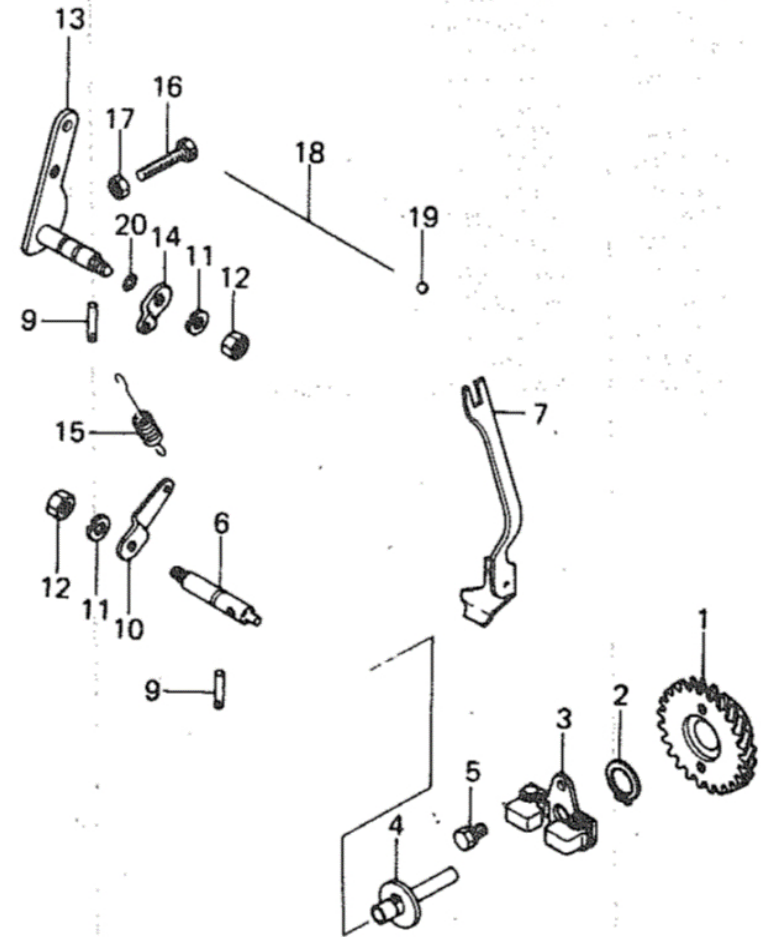


[VAR] Variable according to repair





| D_MI14_4_4 |            | Governor Parts |                             |            |            |  |
|------------|------------|----------------|-----------------------------|------------|------------|--|
| FIG.       | REF.       | QTY            | DESCR.                      | FROM       | UPTO       |  |
| 1          | 13123001   | 1              | Gear GOverNOR               |            |            |  |
| 2          | 13123002   | 1              | CIRClip DIN 471 E-20        |            |            |  |
| 3          | 13123003   | 1              | WEIGHT Assy GOver           |            |            |  |
| 4          | 13123004   | 1              | Shaft Sliding               |            |            |  |
| 5          | 13123005   | 2              | Bolt DIN 933 M6-12 8.8 [NP] |            |            |  |
| 6          | 13123006   | 1              | Shaft GOverNOR              |            |            |  |
| 7          | 13523007   | 1              | Lever Fork                  |            |            |  |
| 9          | 13123009   | 2              | Pin GROOVED                 |            |            |  |
| 10         | 13523010   | 1              | Lever GOverNOR SP           |            |            |  |
| 11         | 13120049   | 2              | Washer GROWER DIN 127-8     |            |            |  |
| 12         | 13123013   | 2              | Nut DIN 934 M8 8.8          |            |            |  |
| 13         | 13523014   | 1              | Lever Assy SPEED            |            |            |  |
| 14         | 13123015   | 1              | Lever GOverNOR SP           |            |            |  |
| 15         | 13523016   | 1              | Spring GOverNOR             |            |            |  |
| 16         | 13123017   | 1              | Bolt High Speed             |            |            |  |
| 17         | 13123018   | 1              | Spring,return               |            |            |  |
| 18         | 13123019   | 1              | Metal Sealing               |            |            |  |
| 19         | 17623020.4 | 1              | Metal,Fuel                  | 02/08/2017 |            |  |
| 19         | 13123020   | 1              | Metal,Fuel [NP]             |            | 02/08/2017 |  |
| 20         | 13123021   | 1              | O-Ring D. 7X1.8             |            |            |  |
| NS         | 13123008   | 2              | Bolt DIN 933 M6-16 8.8 [NS] |            |            |  |

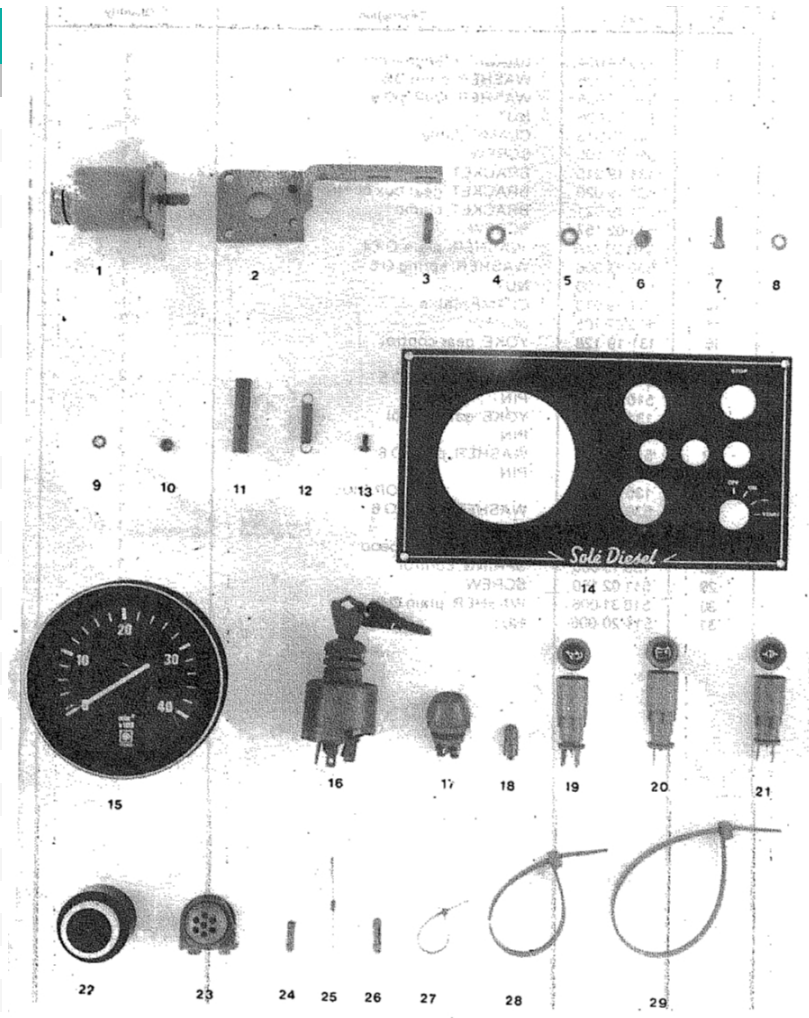


[NP] Not provided  
 [NS] Not shown





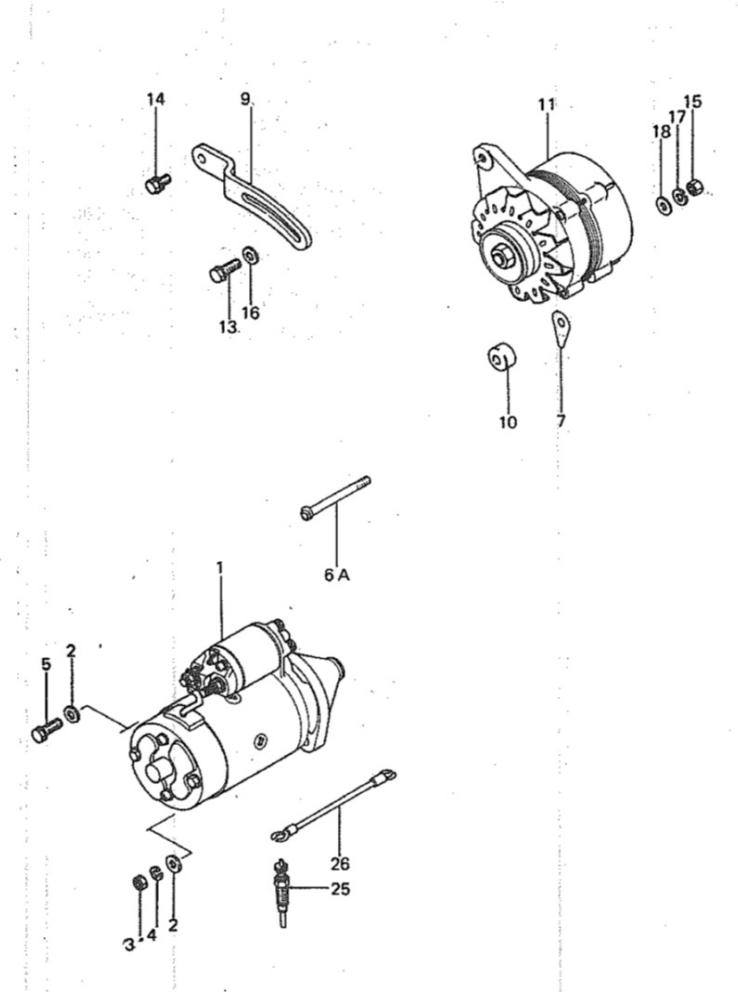
| D_MI14_5_1 |          | Electrical System 1 |                                |      |            |
|------------|----------|---------------------|--------------------------------|------|------------|
| FIG.       | REF.     | QTY                 | DESCR.                         | FROM | UPTO       |
| 1          | 13424025 | 1                   | Solenoid                       |      |            |
| 2          | 13117002 | 1                   | Bracket                        |      |            |
| 3          | 13117003 | 4                   | TENSION DEVICE                 |      |            |
| 4          | 51030006 | 2                   | Washer DIN 125-6               |      |            |
| 5          | 53033006 | 2                   | Washer GROWER DIN 127-6        |      |            |
| 6          | 51120006 | 2                   | Nut DIN 934 M6 8.8             |      |            |
| 7          | 51102106 | 4                   | Bolt DIN 933 M5-15 8.8         |      |            |
| 8          | 51030005 | 4                   | Washer DIN 125-5               |      |            |
| 9          | 53033005 | 4                   | Washer GROWER DIN 127-5        |      |            |
| 10         | 51120005 | 4                   | Nut DIN 934 M5 8.8             |      |            |
| 11         | 13517006 | 1                   | ROD,solenoid                   |      |            |
| 12         | 14619040 | 1                   | Spring,stop                    |      |            |
| 13         | 51108052 | 1                   | Bolt DIN 84 M4-6 5.6 [NP]      |      |            |
| 14         | 60931001 | 1                   | Panel                          |      |            |
| 14-25      | 60935000 | 1                   | Panel MINI-14                  |      |            |
| 15         | 60934010 | 1                   | TACHOMETER VDO MINI-34         |      |            |
| 16         | 60900031 | 1                   | Key-Locking Switch             |      |            |
| 17         | 60900040 | 1                   | Pushbutton Stop [NP]           |      | 13/07/2017 |
| 17         | 60900049 | 1                   | Pushbutton Stop [NP]           |      | 13/07/2017 |
| 18         | 60900045 | 3                   | Bulb 12V 3W Connector B        |      |            |
| 19         | 60900050 | 1                   | LAMP, oil press.               |      |            |
| 20         | 60900051 | 1                   | LAMP, charge                   |      |            |
| 21         | 60900052 | 1                   | LAMP, water temp.              |      |            |
| 22         | 60900060 | 1                   | Alarm, SWITCH                  |      |            |
| 23         | 60931095 | 1                   | LAMP Glow                      |      |            |
| 24         | 60900115 | 2                   | Fuse 3 A.                      |      |            |
| 25A        | 60900110 | 2                   | DIODE 3 A.                     |      |            |
| 25B        | 60937200 | 1                   | Wiring,electrical MINI 10and14 |      |            |
| 26         | 60900116 | 1                   | Fuse 40 A.                     |      |            |
| 27         | 58088221 | 1                   | Pastic Cable Zip Tie [NP]      |      |            |
| 28         | 58088221 | 1                   | Pastic Cable Zip Tie [NP]      |      |            |
| 29         | 58088272 | 1                   | Pastic Cable Zip Tie [NP]      |      |            |



[NP] Not provided



| D_MI14_5_2 Electrical System 2 |          |     |                          |      |      |  |
|--------------------------------|----------|-----|--------------------------|------|------|--|
| FIG.                           | REF.     | QTY | DESCR.                   | FROM | UPTO |  |
| 1                              | 13527001 | 1   | Starter Assy 12 V        |      |      |  |
| 2                              | 13127014 | 2   | Washer DIN 125-8         |      |      |  |
| 3                              | 13527002 | 1   | Nut DIN 934 M8 8.8       |      |      |  |
| 4                              | 13120049 | 1   | Washer GROWER DIN 127-8  |      |      |  |
| 5                              | 13127012 | 1   | Bolt DIN 933 M8-25 8.8   |      |      |  |
| 6                              | 13227008 | 1   | Bolt                     |      |      |  |
| 7                              | 13127005 | 5   | Shim Adjusting           |      |      |  |
| 9                              | 13127007 | 1   | Brace Generator [NP]     |      |      |  |
| 10                             | 13527006 | 1   | Spacer                   |      |      |  |
| 11                             | 13627010 | 1   | Alternator 12V/35A       |      |      |  |
| 13                             | 13127012 | 1   | Bolt DIN 933 M8-25 8.8   |      |      |  |
| 15                             | 13120045 | 1   | Nut DIN 934 M12-1,25 8.8 |      |      |  |
| 16                             | 13127014 | 1   | Washer DIN 125-8         |      |      |  |
| 17                             | 13120049 | 1   | Washer GROWER DIN 127-8  |      |      |  |
| 18                             | 13120048 | 1   | Washer DIN 125-8         |      |      |  |
| 25                             | 13127017 | 2   | Plug Glow Type V-110     |      |      |  |
| 26                             | 13127018 | 1   | Wire Glow Plug LE        |      |      |  |

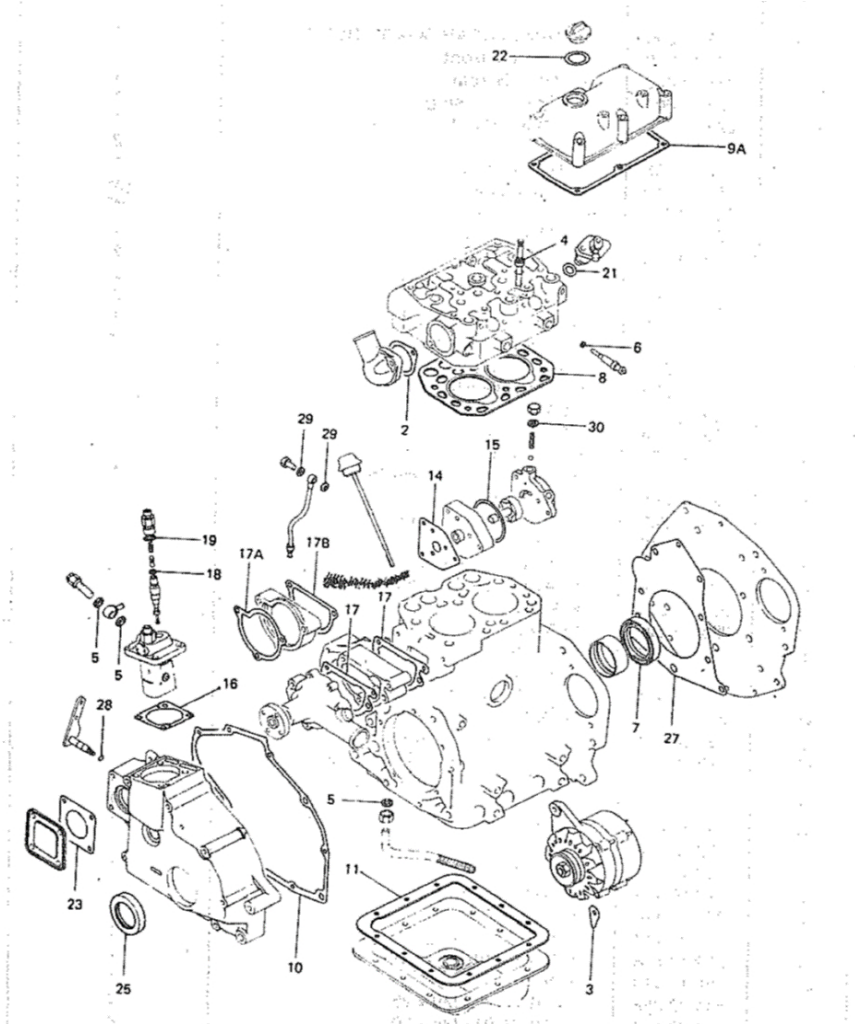


[NP] Not provided



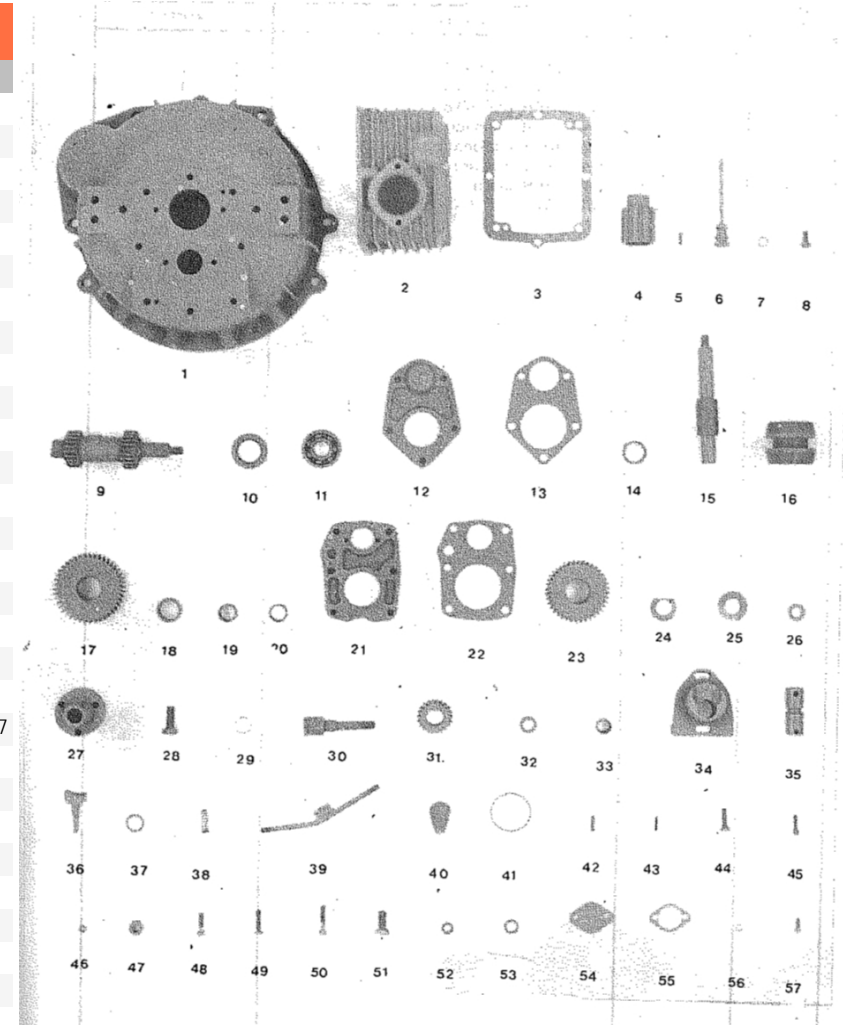


| D_MI14_6_1 |          | Gasket Kit |                            |      |      |
|------------|----------|------------|----------------------------|------|------|
| FIG.       | REF.     | QTY        | DESCR.                     | FROM | UPTO |
| 2          | 13211054 | 1          | Engine Water OutLER Gasket |      |      |
| 2-30       | 13520101 | 1          | Kit Gasket                 |      |      |
| 3          | 13127005 | 3          | Shim Adjusting             |      |      |
| 4          | 13222054 | 4          | Seal Valve Stem            |      |      |
| 5          | 13124001 | 3          | Washer                     |      |      |
| 7          | 13120019 | 1          | Seal Oil                   |      |      |
| 8          | 13521004 | 1          | Gasket Cylinder H          |      |      |
| 9          | 13521010 | 1          | Gasket Rocker COV          |      |      |
| 10         | 13520040 | 1          | Gasket Gear Case           |      |      |
| 11         | 13520032 | 1          | Gasket OilPAN              |      |      |
| 14         | 13124041 | 1          | Gasket Oil Pump B          |      |      |
| 15         | 13124049 | 1          | O-Ring D. 68X2             |      |      |
| 16A        | 13124003 | 1          | Shim Adjusting T=0,2mm     |      |      |
| 16B        | 13124004 | 1          | Shim Adjusting T=0,3mm     |      |      |
| 16C        | 13124005 | 1          | Shim Adjusting T=0,4mm     |      |      |
| 16D        | 13124009 | 1          | Shim Adjusting T=0,8mm     |      |      |
| 17A        | 13521030 | 1          | Gasket Water Pump          |      |      |
| 17B        | 13521022 | 1          | Gasket Water Pump          |      |      |
| 18         | 13125007 | 2          | Gasket DELIVERY V          |      |      |
| 19         | 13125033 | 2          | O-Ring D. 15X2,5           |      |      |
| 21         | 13124013 | 2          | Gasket Nozzle HOL          |      |      |
| 23         | 13124047 | 1          | Shaft Oil Filter           |      |      |
| 25         | 13120039 | 1          | Seal OIL                   |      |      |
| 27         | 13520025 | 1          | Gasket REAR Plate          |      |      |
| 28         | 13123021 | 1          | O-Ring D. 7X1,8            |      |      |
| 29         | 13124059 | 2          | Gasket                     |      |      |
| 30         | 13124046 | 1          | Gasket                     |      |      |





| D_22313200 |          | GearBox RONIM III R.2,00 |                                    |      |            |
|------------|----------|--------------------------|------------------------------------|------|------------|
| FIG.       | REF.     | QTY                      | DESCR.                             | FROM | UPTO       |
| 1          | 22310020 | 1                        | Housing,rear                       |      |            |
| 1-57       | 22313200 | 1                        | GearBox Assy RONIM 3 M-14 2:1 [NP] |      |            |
| 2          | 22313002 | 1                        | Housing,rear [NP]                  |      |            |
| 3          | 22310003 | 1                        | Gasket                             |      |            |
| 4          | 22310025 | 1                        | Flange, input [NP]                 |      |            |
| 5          | 22210007 | 2                        | Pin                                |      |            |
| 6          | 22310008 | 1                        | Plug,oil level                     |      |            |
| 7          | 25210010 | 1                        | O-Ring D. 10,77X2,62               |      |            |
| 8          | 22310011 | 1                        | Plug,oil drain                     |      |            |
| 9          | 22313101 | 1                        | Shaft,input 2:1 [NP]               |      |            |
| 10         | 22210102 | 2                        | Cover,front                        |      |            |
| 11         | 22210104 | 2                        | Ball Bearing 6304-NR               |      |            |
| 12         | 22310102 | 2                        | Cover,front [NP]                   |      |            |
| 13         | 22310105 | 1                        | Gasket                             |      |            |
| 15         | 22310201 | 1                        | Shaft,output [NP]                  |      |            |
| 16         | 22210202 | 1                        | CONE,clutch [NP]                   |      |            |
| 17         | 22313203 | 1                        | Gear,front [NP]                    |      |            |
| 18         | 22210204 | 2                        | Bearing,needle                     |      |            |
| 19         | 22210205 | 2                        | Ring                               |      |            |
| 20         | 22310207 | 1                        | Cover,rear [NP]                    |      | 31/08/2017 |
| 21         | 22310208 | 1                        | Cover,rear                         |      |            |
| 22         | 22310209 | 1                        | Gasket,rear cover                  |      |            |
| 23         | 22310210 | 2                        | Gear,rear [NP]                     |      |            |
| 24         | 22310217 | 1                        | Spacer,Gear                        |      |            |
| 25         | 22310218 | 1                        | Spacer,bearing                     |      |            |
| 26         | 22210219 | 1                        | Washer                             |      |            |
| 27         | 22310225 | 1                        | PLANGE,output mini 14 [NP]         |      |            |
| 28         | 25210222 | 1                        | Bolt,blockage                      |      |            |
| 29         | 22210225 | 1                        | O-Ring D. 20X23X1,5                |      |            |
| 30         | 22310301 | 1                        | Intermediate Shaft                 |      |            |
| 31         | 22310302 | 1                        | Gear,INTERMEDIATE [NP]             |      |            |
| 32         | 22310304 | 1                        | Washer,friction [NP]               |      |            |
| 34         | 22310401 | 1                        | Control Assy                       |      |            |
| 35         | 22310402 | 1                        | EXCENTRICA,control                 |      |            |
| 37         | 25210408 | 1                        | O-Ring D. 18,3X25,5X3,6            |      |            |



[NP] Not provided



| D_22313200 |          | GearBox RONIM III R.2,00 |                               |      |      |  |
|------------|----------|--------------------------|-------------------------------|------|------|--|
| FIG.       | REF.     | QTY                      | DESCR.                        | FROM | UPTO |  |
| 38         | 25210411 | 1                        | Spring                        |      |      |  |
| 39         | 22210413 | 1                        | Lever,control                 |      |      |  |
| 40         | 22110416 | 1                        | Handle                        |      |      |  |
| 41         | 22310417 | 1                        | O-Ring D. 49X2,5              |      |      |  |
| 42         | 25210418 | 1                        | Eccentric Command             |      |      |  |
| 43         | 25210419 | 1                        | Spring,exterior               |      |      |  |
| 44         | 51102258 | 2                        | Bolt DIN 933 M8-25 8.8        |      |      |  |
| 45         | 52103157 | 2                        | Bolt DIN 912 M6-20 8.8        |      |      |  |
| 46         | 52120006 | 2                        | Nut DIN 934 M6 8.8            |      |      |  |
| 47         | 51120012 | 3                        | Nut DIN 934 M12 5.6           |      |      |  |
| 48         | 52101258 | 11                       | Bolt DIN 931 M8-25 8.8        |      |      |  |
| 49         | 52101259 | 2                        | Bolt DIN 931 M8-30 8.8        |      |      |  |
| 50         | 52101260 | 5                        | Bolt DIN 931 M8-35 8.8        |      |      |  |
| 51         | 53102358 | 1                        | Bolt DIN 933 M12-25 12.9 [NP] |      |      |  |
| 52         | 51030008 | 20                       | Washer DIN 125-8              |      |      |  |
| 53         | 56000116 | 1                        | Washer 12,5-20-2              |      |      |  |
| 54         | 32111023 | 1                        | Gasket                        |      |      |  |
| 55         | 22410226 | 1                        | Cover [NP]                    |      |      |  |
| 56         | 57000353 | 2                        | Washer 6,2-11-1,5             |      |      |  |
| 57         | 51102156 | 2                        | Bolt DIN 933 M6-16 8.8        |      |      |  |

