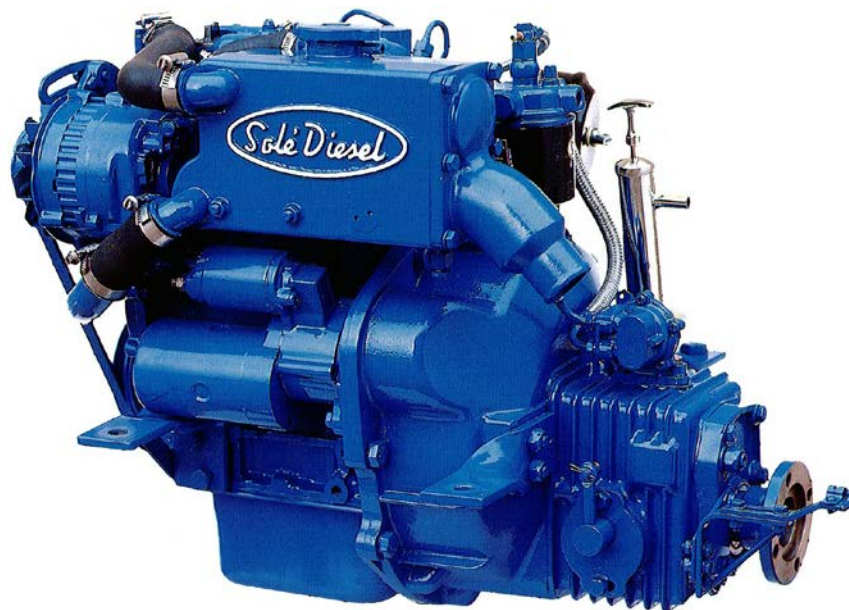




Engine MINI-11
VERSION 2017-8
SPARE PARTS MANUAL



PARTS LIST CATALOGUE

NORMS TO PLACE AN ORDER:

For fast and more efficient service, please specify the following information on spare parts orders that must be preferably done by FAX or e-mail as specified below:

- 1- Engine model: As shown in identification plate
- 2- Engine serial number: As shown in identification plate and stamped on crankcase
- 3- Item description + part number + quantity required

Spare parts requests must be addressed to:

recambios@solediesel.com

Tel.: +34 93 775 44 05

Fax: +34 93 775 30 13

The components shown in the catalog have:

- Figure: Number by which they are represented in scheme
 - Description: Trade name of the component
 - Quantity: Total number of parts used in the assembly of the part represented (may differ from the total minimum quantities)
- Hoses, indicates the total length in meters

The diagrams shown in this catalog of spare parts, have only the purpose to identify the piece in question, its representation is not meaningful and may differ from the actual piece.

In case of doubt, contact Solé Diesel, or your authorized dealer.

The parts i / or references in this catalog are subject to change without notice.

[SOLE, S.A.](#)

C-243b, Km, 2 - P.O. BOX 15
08760 Martorell (Barcelona) Spain

Download the latest version of this manual [HERE](#)

Contents



Engine body, MINI-11

- Cylinder Head
- Timing Parts
- Oil Pan & Gear Case
- Crankcase
- Crankshaft, Piston & Connecting Rod
- Lubricating Parts
- Block Inlet

Inlet System, MINI-11

- Inlet

Cooling System, MINI-11

- Cooling Parts
- Cooling System

Fuel System, MINI-11

- Fuel Supply Parts
- Nozzle
- Fuel Injection Pump
- Governor Parts

Electrical System, MINI-11

- Electrical System
- Electric Panel
- Wire Electrical
- Electrical Equipment and Remote Control

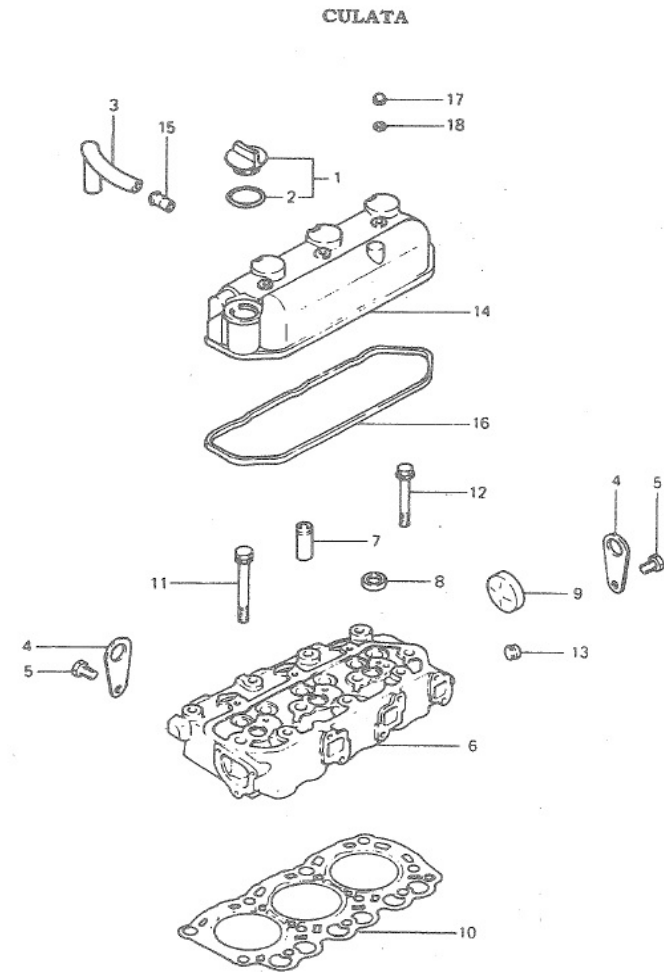
Maintenance Kit, MINI-11

- Gasket Kit

GearBox MINI-11

- GearBox Assy RONIM V
- GearBox Assy RONIM V

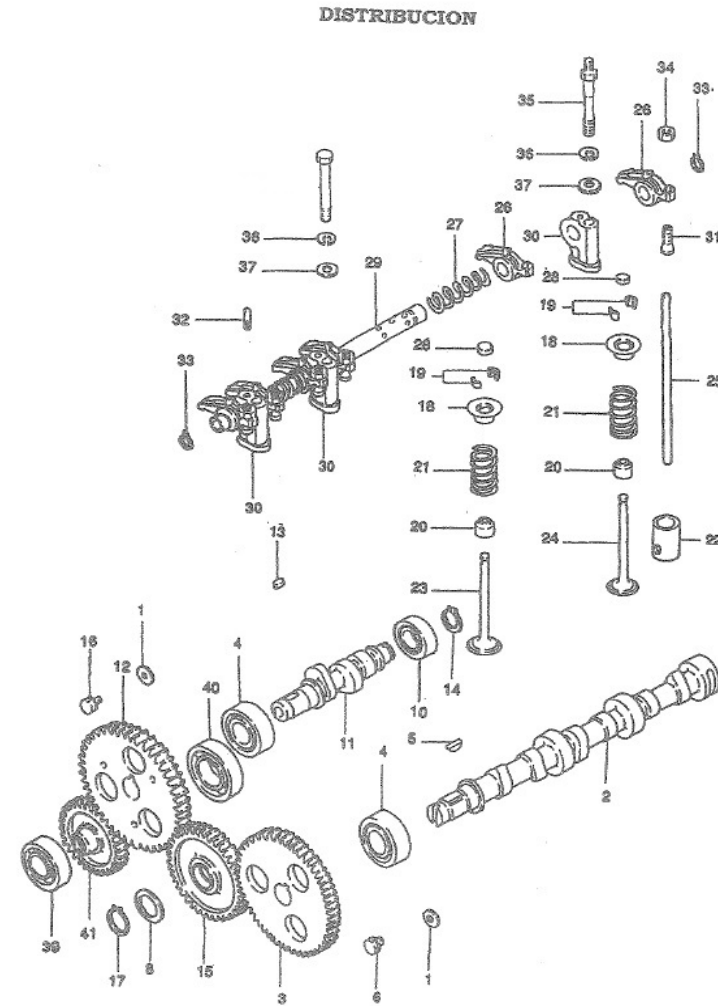
D_MI11_1_1		Cylinder Head			
FIG.	REF.	QTY	DESCR.	FROM	UPTO
1	13521003	1	Cap Oil FILLER	15/07/2016	
2	13721007	1	O-Ring D. 30X3	15/07/2016	
3	13821006	1	Hose BREATHER	15/07/2016	
4	13821011	2	HANGER Engine	15/07/2016	
5	52102256	2	Bolt DIN 933 M8-15 8.8	15/07/2016	
6-9	13021001	1	Head Assy CYLINDE	15/07/2016	
7	13721002	4	Guide Valve	15/07/2016	
8	13821012	2	Cap	15/07/2016	
9	13520013	1	Cap,SeallNG	15/07/2016	
10	13021004	1	Gasket Cylinder H	15/07/2016	
11	13821005	6	Bolt,cylinder head	15/07/2016	
12	13821013	2	Bolt,cylinder head	15/07/2016	
13	13120011	1	Plug, Tapered [NP]	15/07/2016	12/07/2017
13	17820011	1	Plug, Tapered [NP]	12/07/2017	
14	13821009	1	Cover Assy Rocker	15/07/2016	
15	13221017	1	Pipe	15/07/2016	
16	13821010	1	Gasket Rocker Cover	15/07/2016	
17	13821018	2	Nut	15/07/2016	
18	51030006	2	Washer DIN 125-6	15/07/2016	



[NP] Not provided



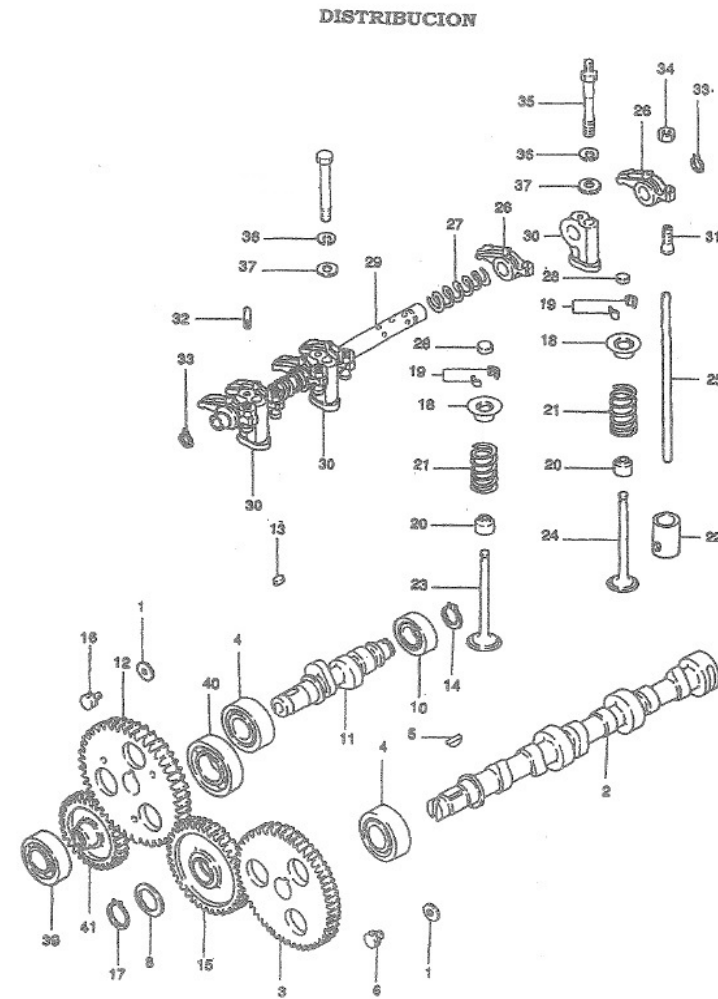
D_MI11_1_4		Timing Parts			
FIG.	REF.	QTY	DESCR.	FROM	UPTO
1	13822033	2	Washer CamShaft Stop	15/07/2016	
2	13822035	1	CamShaft [NP]	15/07/2016	
3	13822037	1	Gear,CamShaft Z=52	15/07/2016	
4	13822067	3	Ball Bearing 6004	15/07/2016	
5	13122036	1	KEY	15/07/2016	
6	52102155	1	Bolt DIN 933 M6-12 8.8	15/07/2016	
8	13822034	1	Plate DISTANCE	15/07/2016	
10	13822068	1	Ball Bearing 6003	15/07/2016	
11	13822040	1	Shaft Fuel Injection Pump	15/07/2016	
12	13822043	1	Gear,Fuel INJ.Pump Z=52	15/07/2016	
13	17622060.4	1	Key, Sunk	15/07/2016	
14	53040016	1	CIRClip DIN 471 E-16	15/07/2016	
15	13822038	1	Gear Assy,IDLER Z=40	15/07/2016	
17	53040020	1	CIRClip DIN 471 E-20	15/07/2016	
18	13822058	4	Retainer Valve SP	15/07/2016	
19	13222059	8	Lock Valve	15/07/2016	
20	13222054	4	Seal Valve Stem	15/07/2016	
21	13822057.1	4	Spring,Valve	15/07/2016	
22	13822061	4	Tappet	15/07/2016	
23	13822055	2	Intake Valve	15/07/2016	
24	13822056	2	Exhaust Valve	15/07/2016	
25	13822041	4	ROD PUSH	15/07/2016	
26	13822042	4	ARM Rocker	15/07/2016	
27	13722047	1	Spring Rocker SHAFT	15/07/2016	
28	13822069	4	Cap Stem	15/07/2016	
29	13822046	1	Shaft Assy,Rocker	15/07/2016	
30	13722048	2	STAY Rocker	15/07/2016	
31	13822044	4	Screw Adjusting	15/07/2016	
32	13822070	1	Pin GROOVED	15/07/2016	
33	53040012	2	CIRClip DIN 471 E-12	15/07/2016	
34	52120006	4	Nut DIN 934 M6 8.8	15/07/2016	
35	13822053	2	Bolt Rocker STAY	15/07/2016	
36	53033008	2	Washer GROWER DIN 127-8	15/07/2016	
37	51030008	2	Washer DIN 125-8	15/07/2016	
40	13822066	1	Ball Bearing 6005-C3	15/07/2016	



[NP] Not provided

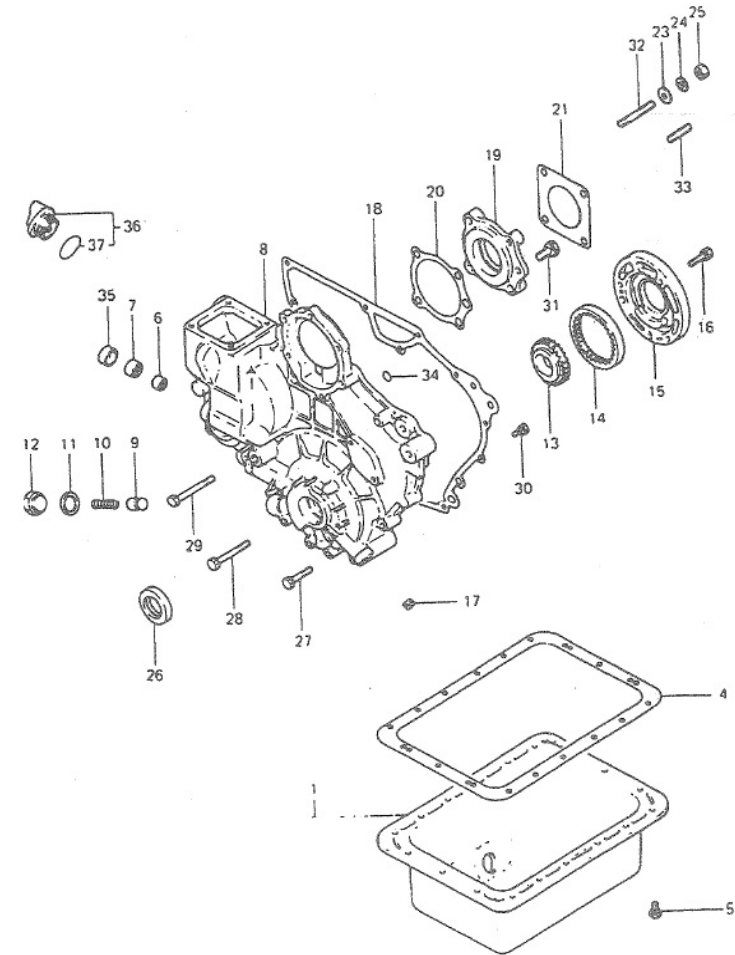


D_MI11_1_4		Timing Parts			
FIG.	REF.	QTY	DESCR.	FROM	UPTO
41	13822065	1	Gear Pressure Oil Pump Z=30	15/07/2016	
16	13123005	1	Bolt		



D_MI11_1_5		Oil Pan & Gear Case			
FIG.	REF.	QTY	DESCR.	FROM	UPTO
1	13820030	1	PAN Assy Oil	15/07/2016	
4	13820033.4	1	Gasket Oil PAN	15/07/2016	
5	52102155	14	Bolt DIN 933 M6-12 8.8	15/07/2016	
6	13820034	1	Roller Bearings	15/07/2016	
7	13820036	1	Roller Bearings	15/07/2016	
8	13820035	1	Case Gear	15/07/2016	
9	13224043	1	Plunger	15/07/2016	
10	13824044	1	Spring RELIEF	15/07/2016	
11	56000077	1	Washer 18-23-1,5	15/07/2016	
12	13224045	1	Plug	15/07/2016	
13	13820050	1	Gear Oil Pump INN	15/07/2016	
14	13820051	1	Gear Oil Pump OUT	15/07/2016	
15	13820052	1	Housing Oil Pump	15/07/2016	
16	52101159	3	Bolt DIN 931 M6-30 8.8	15/07/2016	
17	13120011	2	Plug, Tapered [NP]	15/07/2016	12/07/2017
17	17820011	2	Plug, Tapered [NP]	12/07/2017	
18	13820040	1	Gasket Gear Case	15/07/2016	
19	13820037	1	Housing Pump Gear	15/07/2016	
20	13820038	1	Gasket Housing	15/07/2016	
21	13120047	1	Gasket Water Pump	15/07/2016	
23	51030008	4	Washer DIN 125-8	15/07/2016	
24	53033008	4	Washer GROWER DIN 127-8	15/07/2016	
25	52120008	4	Nut DIN 934 M8 8.8	15/07/2016	
26	13820039	1	Oil Seal	15/07/2016	
27	52102160	3	Bolt DIN 933 M6-35 8.8	15/07/2016	
28	52102164	4	Bolt DIN 933 M6-55 8.8	15/07/2016	
29	52101166	1	Bolt DIN 931 M6-65 8.8	15/07/2016	
30	52102156	4	Bolt DIN 933 M6-16 8.8	15/07/2016	
31	52102258	1	Bolt DIN 933 M8-25 8.8	15/07/2016	
32	13220042	3	Stud L 54	15/07/2016	
33	13220043	1	Stud L 34	15/07/2016	
34	13820044	2	O-Ring D. 11X2,5	15/07/2016	
35	13820045	1	Cap Sealing (20)	15/07/2016	
36	13521003	1	Cap Oil FILLER	15/07/2016	
37	13721007	1	O-Ring D. 30X3	15/07/2016	

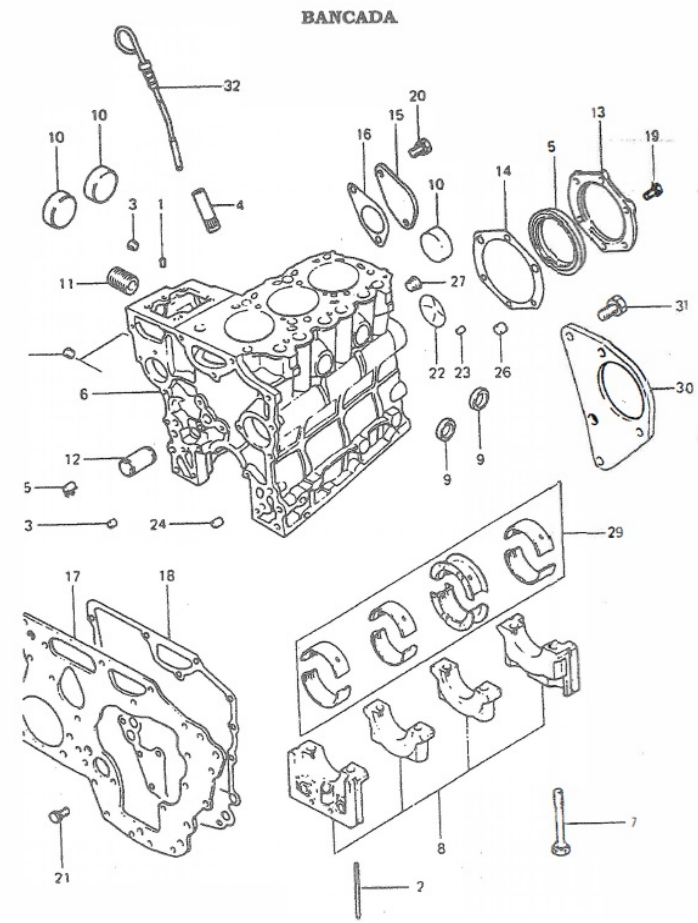
CARTER DE ACEITE Y TAPA DE DISTRIBUCION



[NP] Not provided



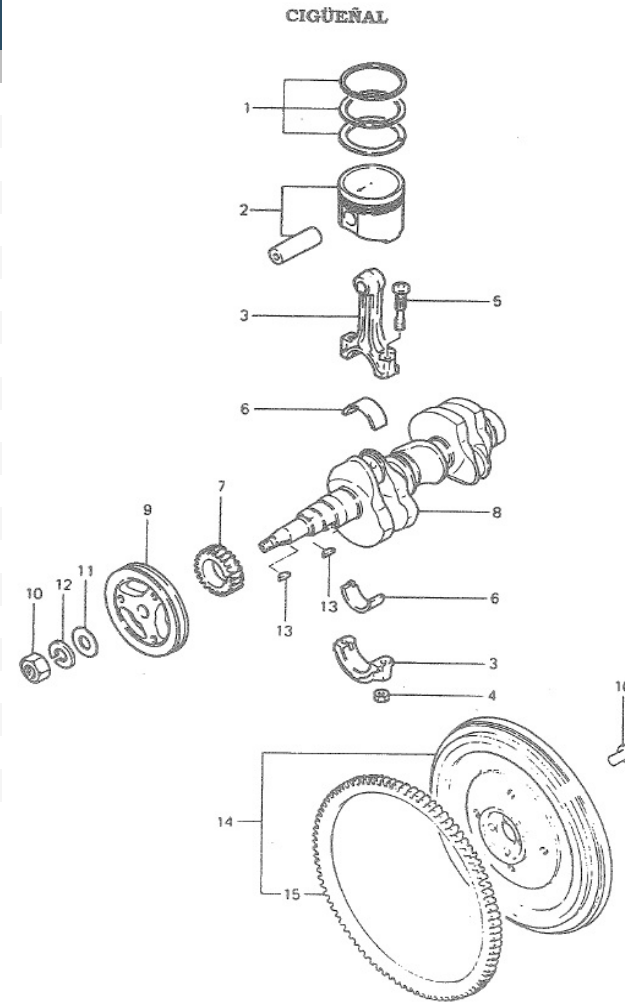
D_MI11_1_6		Cranckcase			
FIG.	REF.	QTY	DESCR.	FROM	UPTO
1	17620036.4	2	Pin Dowel	15/07/2016	
2	13820002	4	Seal Side	15/07/2016	
3	17620013.4	3	Plug Taper 1/16	15/07/2016	
4	13220007	1	Guide	15/07/2016	
5	13820008	1	Seal Oil	15/07/2016	
6-10	13020001	1	Block SUB Assy CY [NP]	15/07/2016	
7	13820009	6	Bolt Bearing Cap	15/07/2016	
8	13820010	1	Cap Assy,bearing [NP]	15/07/2016	
9	13220012	1	Cap Sealing	15/07/2016	
10	13520013	2	Cap,SeallNG	15/07/2016	
11	13124047	1	Shaft Oil Filter	15/07/2016	
12	13820014	1	Shaft IDLER	15/07/2016	
13	13820015	1	Case Oil Seal	15/07/2016	
14	13820016	1	Gasket Oil Seal C	15/07/2016	
15	13820011	1	Cover	15/07/2016	
16	13820012	1	Gasket Cover	15/07/2016	
17	13820017	1	Plate, Front	15/07/2016	
18	13820018	1	Gasket Front Plate	15/07/2016	
19	52102157	6	Bolt DIN 933 M6-20 8.8	15/07/2016	
20	52102256	2	Bolt DIN 933 M8-15 8.8	15/07/2016	
21	52102156	7	Bolt DIN 933 M6-16 8.8	15/07/2016	
22	13820013	1	Plug Expansion	15/07/2016	
23	17620009.4	2	Bushing	15/07/2016	
24	17620021.4	1	Bushing	15/07/2016	
25	13220021	2	Bushing KNOCK	15/07/2016	
26	13520010	3	KNOCK	15/07/2016	
27	13220023	1	Plug TAPER	15/07/2016	
29	13820003	1	Bearing Set CRANK STD	15/07/2016	
29	13820005	1	Bearing Set CRANK	15/07/2016	
29	13820004	1	Bearing Set CRANK	15/07/2016	
30	13820024	1	Plate REAR	15/07/2016	
31	52202308	3	Bolt DIN 933 M10-1,25-25 8.8	15/07/2016	
32	13820029	1	Gauge Oil Level	15/07/2016	



[NP] Not provided



D_MI11_1_8		Crankshaft, Piston & Connecting Rod			
FIG.	REF.	QTY	DESCR.	FROM	UPTO
1	13022006	2	Ring Set Piston	15/07/2016	
1	13022007	2	Ring Set Piston	15/07/2016	
1	13022008	2	Ring Set Piston	15/07/2016	
2	13022003	2	Piston & Pin Set	15/07/2016	
2	13022001	2	Piston & Pin Set	15/07/2016	
2	13022002	2	Piston & Pin Set	15/07/2016	
3-5	13022012	2	ROD Assy	15/07/2016	
4	13222011	4	Nut,connecting rod	15/07/2016	
5	13222013	4	Bolt,connecting rod	15/07/2016	
6	13822015	2	Bearing Set,Con-Rod U.S. 0.25	15/07/2016	
6	13822014	2	Bearing Set,CON-ROD STD.	15/07/2016	
6	13822016	2	Bearing Set,Con-Rod U.S. 0.50	15/07/2016	
7	13822021	1	Gear CrankShaft Z=26	15/07/2016	
8	13822018	1	CrankShaft	15/07/2016	
9	13822024	1	Pulley CrankShaft	15/07/2016	
10	13822026	1	Nut	15/07/2016	
11	51030016	1	Washer DIN 125-16	15/07/2016	
12	53033016C	1	Washer	15/07/2016	
13	13122036	2	KEY	15/07/2016	
14	13822027	1	Flywheel Assy	15/07/2016	
15	13722029	1	Gear Ring Z=106 [NP]	15/07/2016	
16	13822031	4	Bolt Flywheel	15/07/2016	

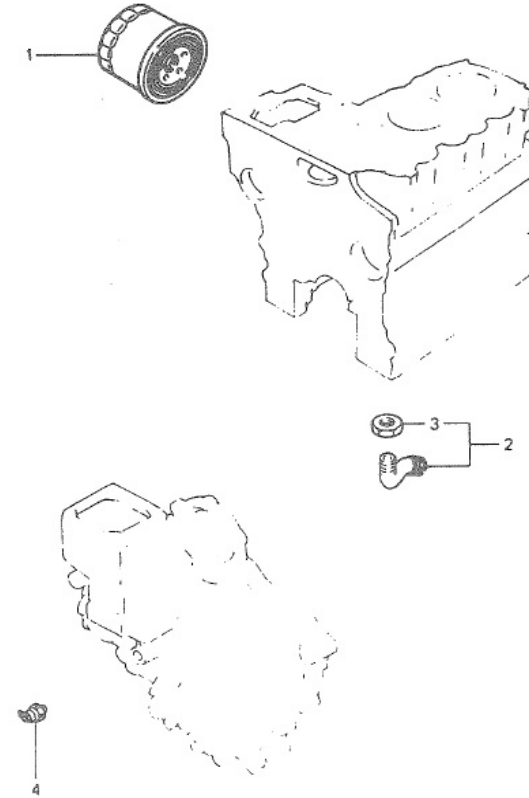


[NP] Not provided

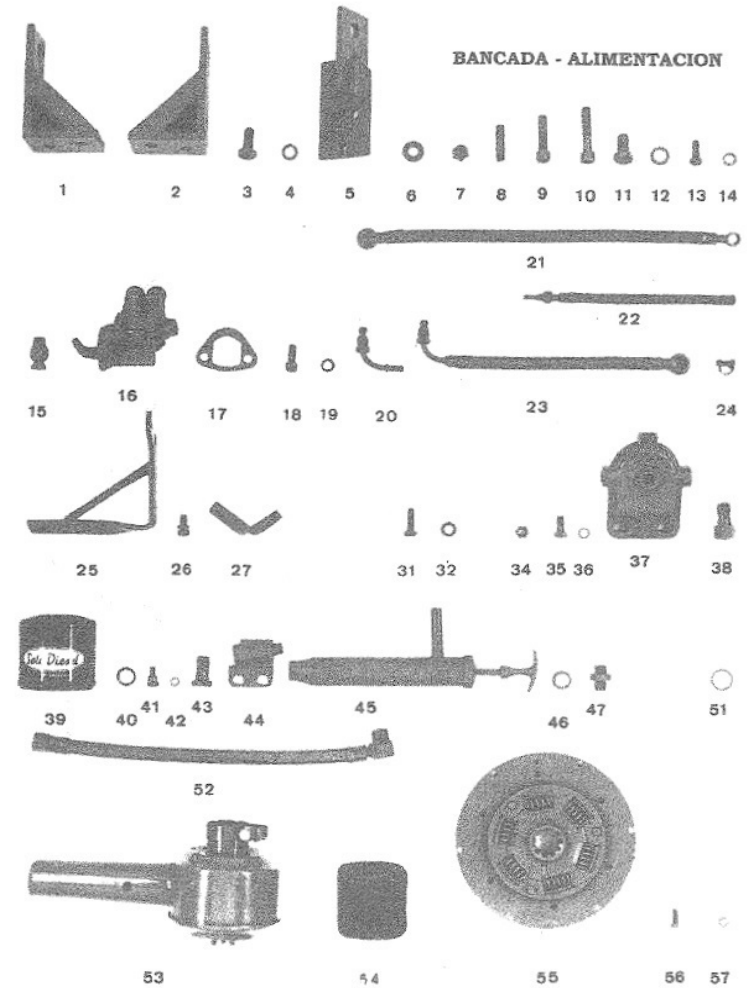


D_MI11_1_10		Lubricating Parts			
FIG.	REF.	QTY	DESCR.	FROM	UPTO
1	13124051	1	Filter Oil Element	15/07/2016	
2	13824052	2	SCREEN Assy Oil	15/07/2016	
3	51221014	3	Nut DIN 936 M14X1,5 5.6 ZINC	15/07/2016	
4	60900076	4	Switch, oil press	15/07/2016	

LUBRICACION



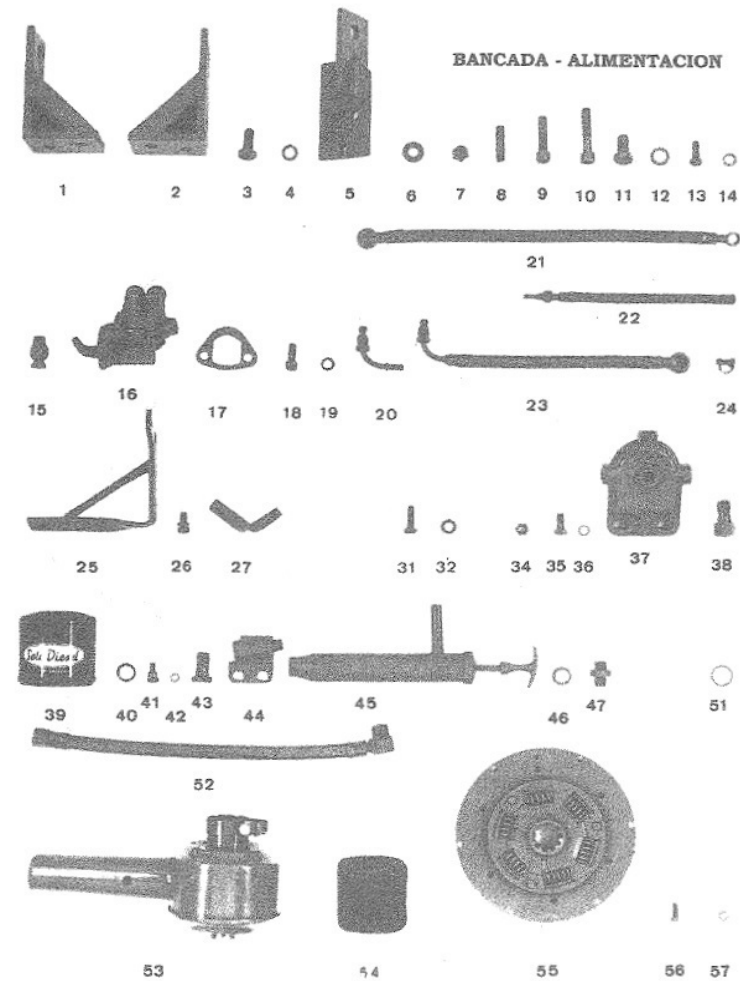
D_MI11_1_12		Block Inlet			
FIG.	REF.	QTY	DESCR.	FROM	UPTO
1	13810001	1	Left, front bracket	15/07/2016	
2	13810002	1	Right, front bracket	15/07/2016	
3	52202308	4	Bolt DIN 933 M10-1,25-25 8.8	15/07/2016	
4	53033010	4	Washer GROWER DIN 127-10	15/07/2016	
5	13810037	2	Support REAR	20/01/2015	
5	13810010	2	Support REAR [NP]		20/01/2015
6	52030010	6	Washer DIN 125	15/07/2016	
7	51123010	6	Nut DIN 985 M10 5.6	15/07/2016	
8	13110011	2	Stud	15/07/2016	
9	52103311	2	Bolt DIN 912 M10-40 8.8	15/07/2016	
10	52103313	2	Bolt DIN 912 M10-50 8.8	15/07/2016	
11	52202357	5	Bolt DIN 933 M12-1,25-20 8.8	15/07/2016	
11	52202363	1	Bolt DIN 933 M12-1,25-50 8.8	15/07/2016	
12	53038012	5	Washer DIN 6798-A 12	15/07/2016	
13	52102257	5	Bolt DIN 933 M8-20 8.8	15/07/2016	
14	53033008	5	Washer GROWER DIN 127-8	15/07/2016	
15	17620024.4	1	Plug TAPER	15/07/2016	
16	13114001	1	Pump Fuel Supply	15/07/2016	
17	13114002	1	Gasket	15/07/2016	
18	52103257	2	Bolt DIN 912 M8-20 8.8	15/07/2016	
19	53038008	2	Washer DIN 6798-A 8	15/07/2016	
20	13114003	1	Pipe Inlet [NP]	15/07/2016	
21	13814017	1	Pipe, filter to inj. pump	15/07/2016	
22	13814020	1	Assy,Fuel Return	15/07/2016	
23	13414016	1	Pipe, Pump TO Filter [NP]	15/07/2016	
24	51080095	1	Clamp 9,5-10	15/07/2016	
25	13814001	1	Bracket, fuel filter	15/07/2016	
26	52102256	2	Bolt DIN 933 M8-15 8.8	15/07/2016	
27	13814002	1	Support, bracket	15/07/2016	
31	52102258	3	Bolt DIN 933 M8-25 8.8	15/07/2016	
32	51030008	2	Washer DIN 125-8	15/07/2016	
34	52120008	2	Nut DIN 934 M8 8.8	15/07/2016	
35	13114007	1	Screw SHORT Connector	15/07/2016	
36	57000357	2	Washer 8,2-12-1,5	15/07/2016	
37	13114020	1	Cover,filter	15/07/2016	



[NP] Not provided
 [NS] Not shown

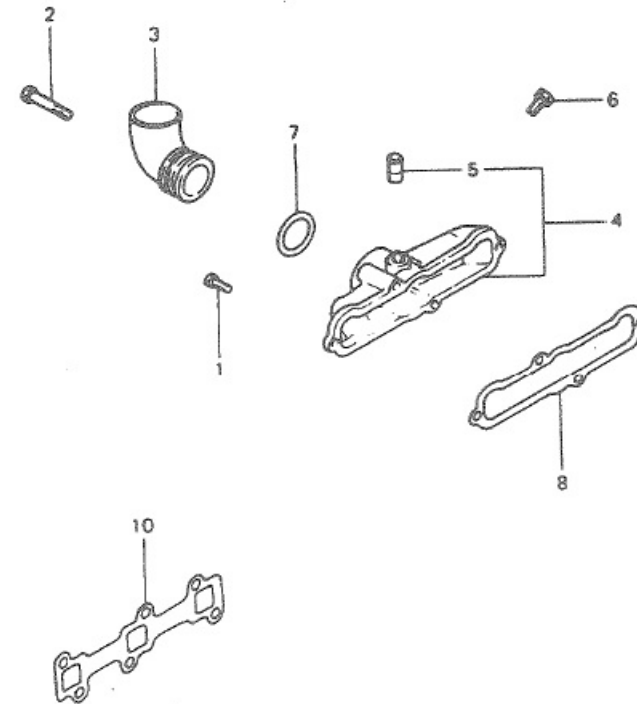


D_MI11_1_12		Block Inlet				
FIG.	REF.	QTY	DESCR.	FROM	UPTO	
38	13114021	1	Coupling,cover filter	15/07/2016		
39	13114022	1	Gas-Oil Filter Element	15/07/2016		
40	57000369	4	Washer 14,2-20-1,5	15/07/2016		
41	13114023	1	Screw, air breather	15/07/2016		
42	57000353	1	Washer 6,2-11-1,5	15/07/2016		
43	12814051	1	Screw,eye	15/07/2016		
44	13514002	1	Bracket,oil extraction pump	15/07/2016		
45	14714001	1	Pump,oil Suction	15/07/2016		
46	56000067	2	Washer 13-20-1,5	15/07/2016		
47	13214024	1	NIPPLE,oil pump bracket	15/07/2016		
51	56000077	2	Washer 18-23-1,5	15/07/2016		
52	13814021REC	1	ExtraCTION,Hose	15/07/2016		
53	13810012	1	Air Filter Assy without filter element	15/07/2016		
54	(*)	1	Not available [NP]	1600/00/00		
55	13810040	1	Flexible Coupling Type A D. 185	15/07/2016		
56	52102156	6	Bolt DIN 933 M6-16 8.8	15/07/2016		
57	53033006	6	Washer GROWER DIN 127-6	15/07/2016		
NS	13814003	1	Spacer [NS]	15/07/2016		



D_MI11_2_1 Inlet					
FIG.	REF.	QTY	DESCR.	FROM	UPTO
1	52102157	1	Bolt DIN 933 M6-20 8.8	15/07/2016	
2	52101162	2	Bolt DIN 931 M6-45 8.8	15/07/2016	
3	13821029	1	Pipe Intake	15/07/2016	
4	13821030	1	Cover Assy Intake	15/07/2016	
5	13221017	1	Pipe	15/07/2016	
6	13223016	1	Bolt	15/07/2016	
7	13821042	1	O-Ring D. 40X3,5	15/07/2016	
8	13821032	1	Gasket Intake COV [NP]	15/07/2016	
10	13821035	1	Gasket Exhaust Manifold	15/07/2016	

ADMISION

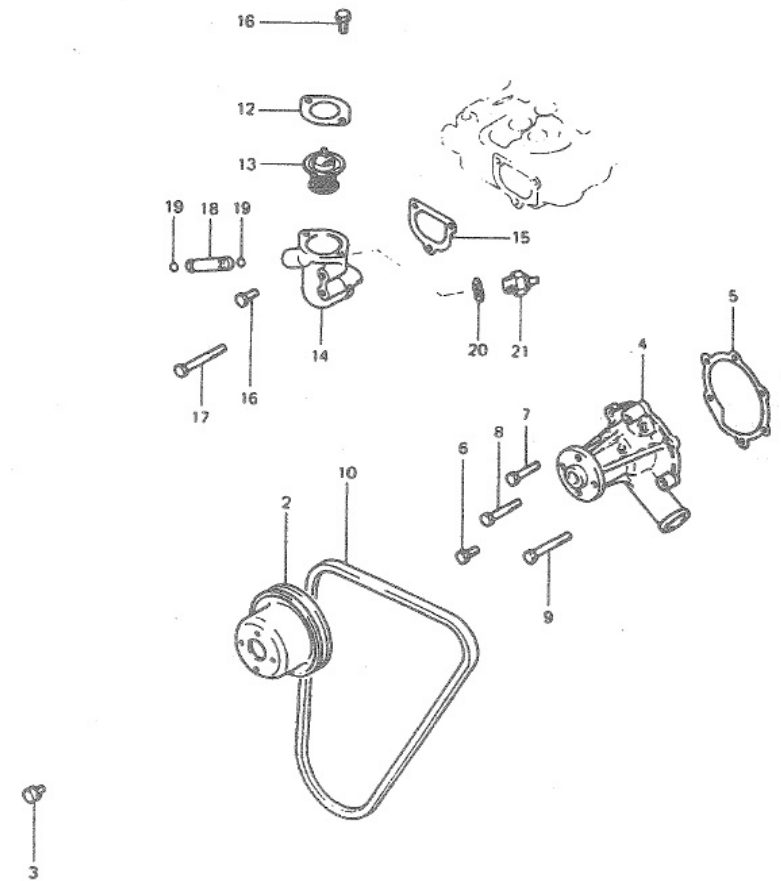


[NP] Not provided



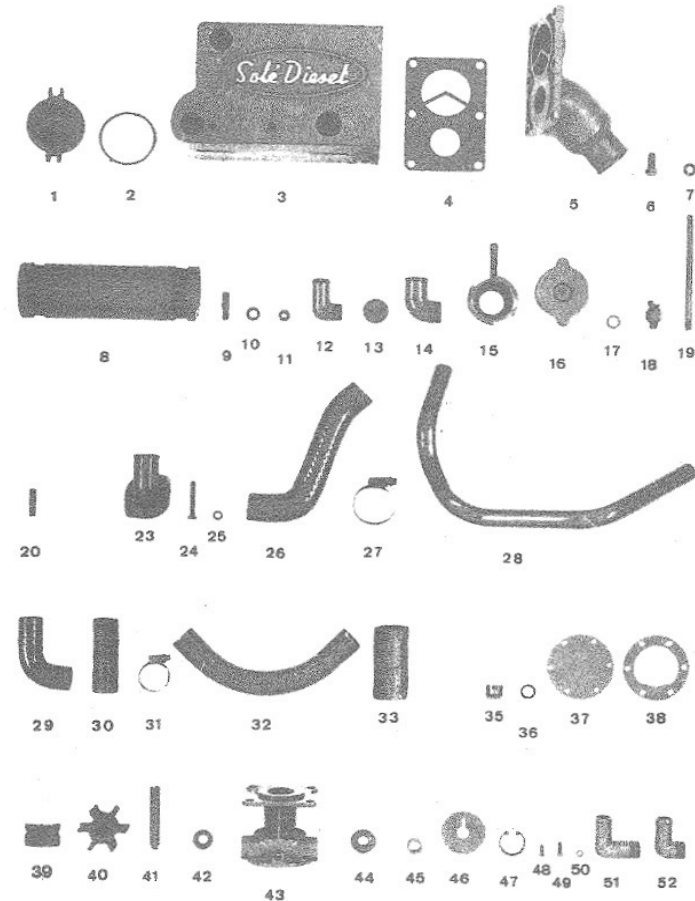
D_MI11_3_1		Cooling Parts				
FIG.	REF.	QTY	DESCR.	FROM	UPTO	
2	13221021	1	Pulley Water Pump	15/07/2016		
3	52102155	4	Bolt DIN 933 M6-12 8.8	15/07/2016		
4	13821020	1	Pump Assy Water	15/07/2016		
5	13821022	1	Gasket Water Pump	15/07/2016		
6	52102157	2	Bolt DIN 933 M6-20 8.8	15/07/2016		
7	52102160	1	Bolt DIN 933 M6-35 8.8	15/07/2016		
8	52101162	1	Bolt DIN 931 M6-45 8.8	15/07/2016		
9	52102164	2	Bolt DIN 933 M6-55 8.8	15/07/2016		
10	13821028	1	Belt Type SPZX 887	15/07/2016		
12	13821031	1	Gasket Water OutL	15/07/2016		
13	13821027	1	Thermostat 71°	15/07/2016		
14	13821037	1	Fitting Thermostat Current	15/07/2016		
15	13821033	1	Gasket Thermostat	15/07/2016		
17	52101165	1	Bolt DIN 931 M6-60 8.8	15/07/2016		
18	17621026.4	1	Pipe BYPASS	15/07/2016		
19	13821038	2	O-Ring D. 9X2	15/07/2016		
20	13821039	1	Gasket	15/07/2016		
21	60900070	1	Thermo-Switch 97°C	15/07/2016		

REFRIGERACION



D_MI11_3_2		Cooling System			
FIG.	REF.	QTY	DESCR.	FROM	UPTO
1	13811002	1	Cover, water cooler	15/07/2016	
1-18	13811000.1R	1	Compleat Heat Exchanger for MINI-17	15/07/2016	
2	13811007	2	O-Ring D. 57X2,5	15/07/2016	
3	13811001	1	Body, water cooler [NP]	15/07/2016	
4	13813027	1	Gasket [NP]	22/11/2016	
4	13813016.1	1	Gasket	15/07/2016	21/11/2016
5	13813015B	1	Elbow wet exhaust Kit [NP]	15/07/2016	
6	52102257	6	Bolt DIN 933 M8-20 8.8	15/07/2016	
7	53033008	6	Washer GROWER DIN 127-8	15/07/2016	
8	13811004	1	Element, water cooler	15/07/2016	
9	13311006	2	Stud,cover	15/07/2016	
10	51030008	3	Washer DIN 125-8	15/07/2016	
11	54120008	3	Nut DIN 934 M8	15/07/2016	
12	13211027	1	Water Inlet Bend	15/07/2016	
13	12113092	1	Plug	15/07/2016	
14	13811011	2	Hose 3/4	15/07/2016	
15	15111002	1	Cap Mouth	15/07/2016	
16	14711003	1	Cap [NP]		18/01/2017
16	14711003.1	1	Cap	19/01/2017	
17	56000061	1	Washer 10-16-1,5	15/07/2016	
18	52102306	1	Bolt DIN 933 M10-15 8.8	15/07/2016	
19	13811015	2	MANIFOld mounting stud	15/07/2016	
20	14711008	2	Stud,cover	15/07/2016	
23	13811020	1	FITTING, water outlet	15/07/2016	
24	52102161	1	Bolt DIN 933 M6-40 8.8	15/07/2016	
25	53033006	2	Washer GROWER DIN 127-6	15/07/2016	
26	13811012	1	Pipe	15/07/2016	
27	54082025	3	Clamp DIN 3017 25-40/12 W4	15/07/2016	
28	13811013	1	Pipe	15/07/2016	
29	13811016	1	Rubber Elbow	15/07/2016	
30	13211033	1	Pipe 20-28-80	15/07/2016	
31	54081020	4	Clamp DIN 3017 20-32/9 W4	15/07/2016	
32	13811014	1	Elbow	15/07/2016	
33	13811017	2	Pipe 28-38-80	15/07/2016	
35	13811026	1	Coupling, water pump	15/07/2016	

REFRIGERACION - BOMBA DE AGUA



* Pertencen a la Bomba 33211000

* Belong to pump 33211000

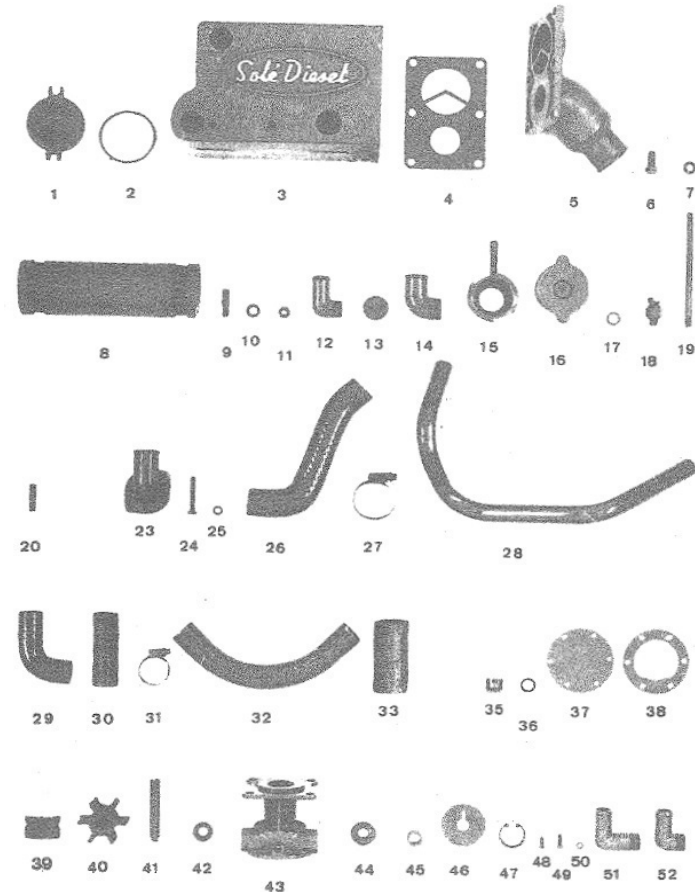
[NP] Not provided

[NS] Not shown



D_MI11_3_2		Cooling System			
FIG.	REF.	QTY	DESCR.	FROM	UPTO
36	33311013	1	O-Ring D. 15X2	15/07/2016	
36*	25210010	1	O-Ring D. 10,77X2,62	15/07/2016	
36-50	33411000	1	1/2" Water Pump, Seawater	15/07/2016	
37	31211002	1	Cover Pump	15/07/2016	
38	31211003	1	Gasket Cover	15/07/2016	
39	31211005	1	Cam	15/07/2016	
40	31211008R	1	1/2" Impeller Kit	15/07/2016	
41	33411010	1	Shaft,water pump	15/07/2016	
41*	31211010	1	Shaft Pump	15/07/2016	
42	33411020	1	Seal	15/07/2016	
42*	32111020	2	Seal Shaft 12-22-7	15/07/2016	
43	33411001	1	Body,Water Pump	15/07/2016	
43*	33211001	1	Body Water Pump	15/07/2016	
44	33411014	2	Ball Bearing 6002-C3	15/07/2016	
44*	12110030	2	Ball Bearing 6001-C3	15/07/2016	
45	33411015	1	Spacer 32X26X8	15/07/2016	
45*	33211015	1	Bushing Spacer	15/07/2016	
46	33411026	1	Wearplate	15/07/2016	
46*	33211026	1	Disk	15/07/2016	
47	53041032	1	CIRClip DIN 472 I-32	15/07/2016	
47*	53041028	1	CIRClip DIN 472 I-28	15/07/2016	
48	54102104	6	Bolt DIN 933 M5-10 INOX.	15/07/2016	
48*	55307104	6	Bolt DIN 86 W3/16-10	15/07/2016	
49	55307105	1	Bolt DIN 86 W3/16-13	15/07/2016	
50	57000301	1	Washer 5-7,5-1	15/07/2016	
51	13211031	1	Raccord 1/2"	15/07/2016	
51*	13211035	1	Exhaust Manifold Outlet Bend	15/07/2016	
NS	33411019	1	Seal [NS]	15/07/2016	

REFRIGERACION - BOMBA DE AGUA



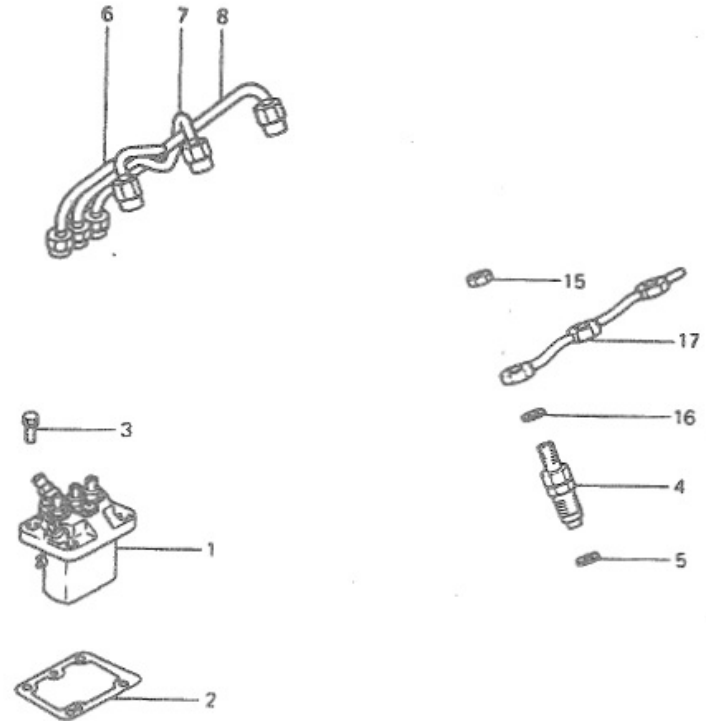
* Pertencen a la Bomba 33211000

* Belong to pump 33211000



D_MI11_4_1		Fuel Supply Parts		
FIG.	REF.	QTY	DESCR.	FROM UPTO
1	13025001	1	Pump Assy,Fuel Injection	15/07/2016
2A	13824003	0	Shim Adjusting T=0,2MM. [VAR]	15/07/2016
2B	13824004	0	Shim Adjusting T=0,3MM. [VAR]	15/07/2016
2C	13824005	0	Shim Adjusting T=0,5MM. [VAR]	15/07/2016
2D	13824006	0	Shim Adjusting T=0,4MM. [VAR]	15/07/2016
2E	13824007	0	Shim Adjusting T=0,6MM. [VAR]	15/07/2016
2F	13824008	0	Shim Adjusting T=0,7MM. [VAR]	15/07/2016
2G	13824009	0	Shim Adjusting T=0,8MM. [VAR]	15/07/2016
2H	13824010	0	Shim Adjusting T=0,9MM. [VAR]	15/07/2016
2I	13824011	0	Shim Adjusting T=1,0MM. [VAR]	15/07/2016
3	52102158	4	Bolt DIN 933 M6-25 8.8	15/07/2016
4	13826001	2	Nozzle & Holder A	15/07/2016
5	13824013	2	Injector Washer	15/07/2016
6	13824015	1	Pipe Injection N.1	15/07/2016
7	13824016	1	Pipe Injection N.2	15/07/2016
15	13824024	2	Nut	15/07/2016
16	13824025	2	Injector Gasket	15/07/2016
17	13824026	1	Tube Gas-Oil SPILL	15/07/2016

ALIMENTACION COMBUSTIBLE

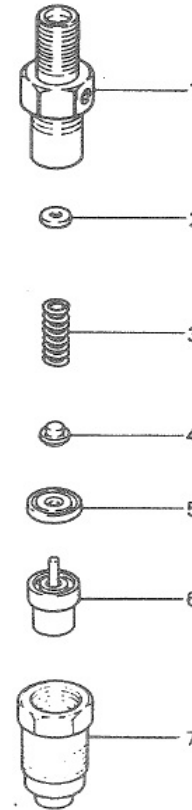


[VAR] Variable according to repair



D_MI11_4_2		Nozzle			
FIG.	REF.	QTY	DESCR.	FROM	UPTO
1	13826002	2	Body Assy	15/07/2016	
1-7	13826001	2	Nozzle & Holder A	15/07/2016	
2A	13826010	0	Washer 1,25 [VAR]	15/07/2016	
2B	13826011	0	Washer 1,30 [VAR]	15/07/2016	
2C	13826012	0	Washer 1,35 [VAR]	15/07/2016	
2D	13826013	0	Washer 1,40 [VAR]	15/07/2016	
2E	13826014	0	Washer 1,45 [VAR]	15/07/2016	
2F	13826015	0	Washer 1,50 [VAR]	15/07/2016	
2G	13826016	0	Washer 1,55 [VAR]	15/07/2016	
2H	13826017	0	Washer 1,60 [VAR]	15/07/2016	
2I	13826019	0	Washer 1,65 [VAR]	15/07/2016	
2J	13826020	0	Washer 1,70 [VAR]	15/07/2016	
3	13826004	2	Spring Pressure	15/07/2016	
4	13826003	2	Pin Pressure	15/07/2016	
5	13826007	2	PIECE DISTANCE	15/07/2016	
6	13826018	2	Nozzle Assy	15/07/2016	
7	13826006	2	Nut RETAINING	15/07/2016	

INJECTOR

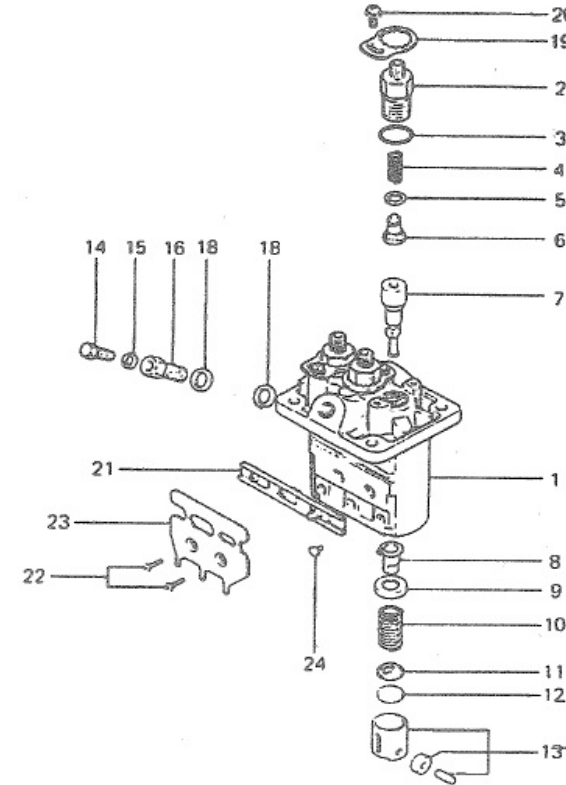


[VAR] Variable according to repair



D_MI11_4_3		Fuel Injection Pump		
FIG.	REF.	QTY	DESCR.	FROM UPTO
1	13825005	1	Housing Assy	15/07/2016
1-24	13025001	1	Pump Assy,Fuel Injection	15/07/2016
2	13825004	2	Holder	15/07/2016
3	13825033	2	O-Ring D. 15X1,8	15/07/2016
4	13825002	2	Spring	15/07/2016
5	13125007	2	Gasket DELIVERY V	15/07/2016
6	13825008	2	Valve Assy	15/07/2016
7	13025009	2	Element Assy	15/07/2016
8	13825010	2	SLEEVE SUB Assy	15/07/2016
9	13825011	2	Seat	15/07/2016
10	13825012	2	Spring	15/07/2016
11	13825013	2	Seat	15/07/2016
12A	13825014	0	Plate Tappet Shim 1,85 [VAR]	15/07/2016
12B	13825015	0	Plate Tappet Shim 1,90 [VAR]	15/07/2016
12C	13825016	0	Plate Tappet Shim 1,95 [VAR]	15/07/2016
12D	13825017	0	Plate Tappet Shim 2,00 [VAR]	15/07/2016
12E	13825018	0	Plate Tappet Shim 2,05 [VAR]	15/07/2016
12F	13825019	0	Plate Tappet Shim 2,10 [VAR]	15/07/2016
12G	13825020	0	Plate Tappet Shim 2,15 [VAR]	15/07/2016
12H	13825052	0	Plate Tappet Shim 2,20 [VAR]	15/07/2016
12I	13825053	0	Plate Tappet Shim 2,25 [VAR]	15/07/2016
12J	13825054	0	Plate Tappet Shim 2,30 [VAR]	15/07/2016
12K	13825055	0	Plate Tappet Shim 2,35 [VAR]	15/07/2016
12L	13825056	0	Plate Tappet Shim 2,40 [VAR]	15/07/2016
12M	13825057	0	Plate Tappet Shim 2,45 [VAR]	15/07/2016
12N	13825058	0	Plate Tappet Shim 2,50 [VAR]	15/07/2016
13	13825021	2	TAPPET Assy	15/07/2016
14	13825026	1	Screw Air	15/07/2016
15	13825025	1	Washer,DRAIN Screw	15/07/2016
16	13814008	1	Screw, Racord	15/07/2016
18	13825061	2	Washer	15/07/2016
19	13825030	2	Plate Set	15/07/2016
20	13825028	2	Screw	15/07/2016
21	13825006	1	RACK	15/07/2016
22	13825062	2	Screw	15/07/2016

BOMBA INYECTORA

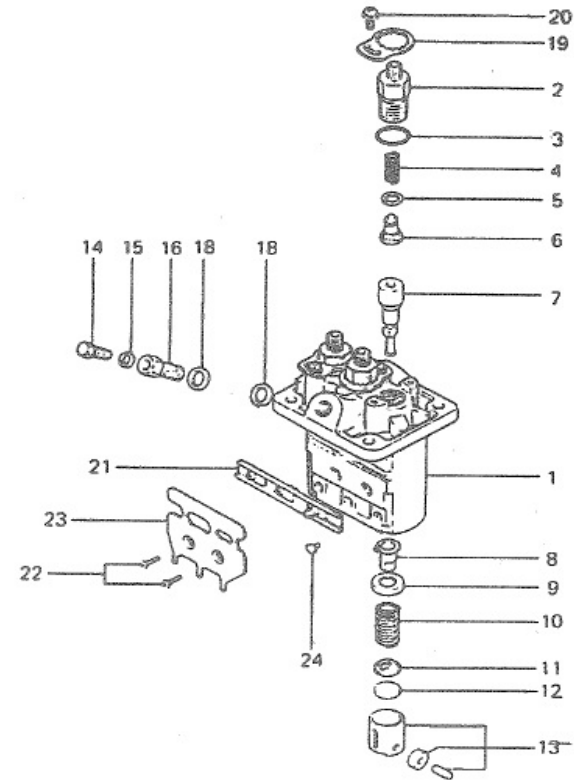


[VAR] Variable according to repair

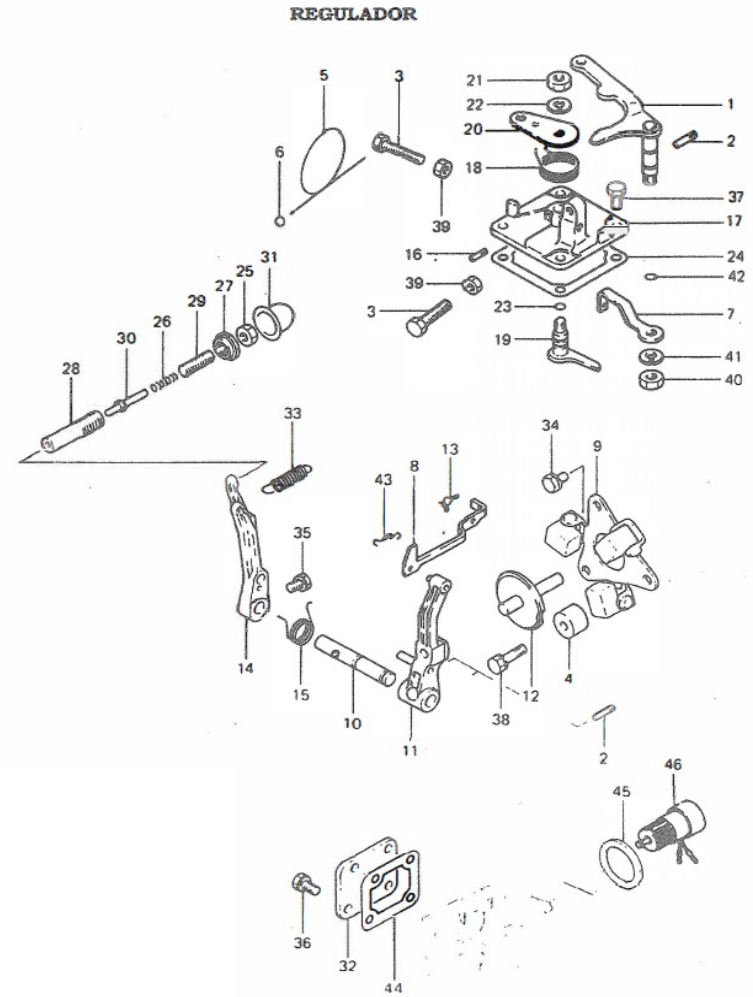


D_MI11_4_3		Fuel Injection Pump			
FIG.	REF.	QTY	DESCR.	FROM	UPTO
23	13825063	1	Bracket	15/07/2016	
24	13825022	2	Pin	15/07/2016	

BOMBA INYECTORA



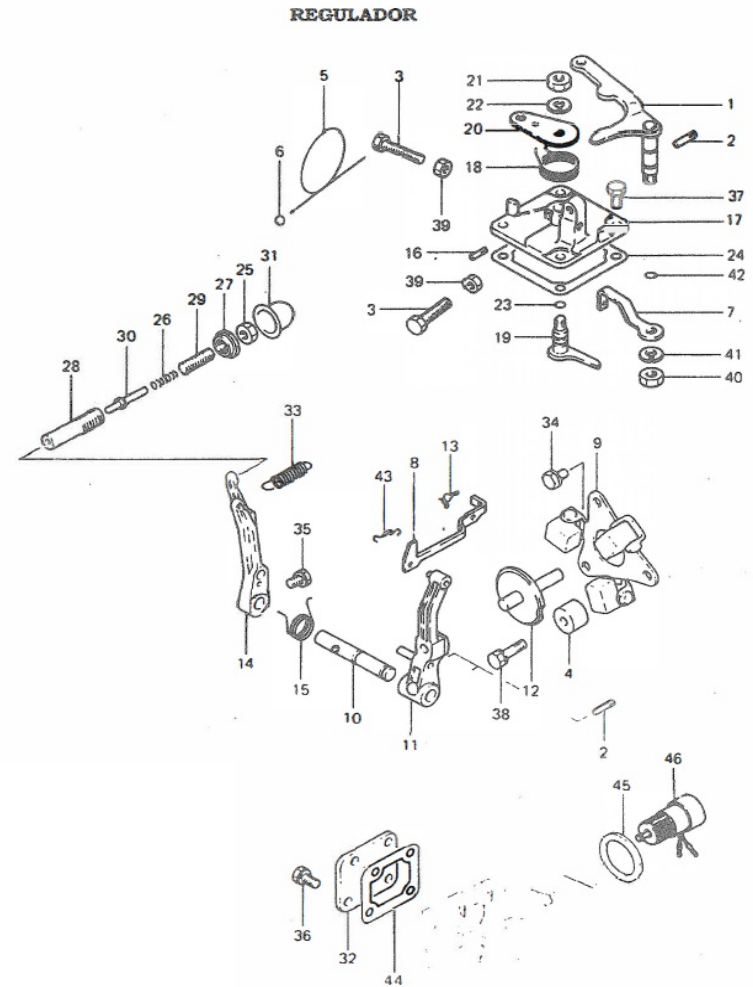
D_MI11_4_4		Governor Parts			
FIG.	REF.	QTY	DESCR.	FROM	UPTO
1	13823008	1	Lever Assy SPEED	15/07/2016	
2	13823009	2	Pin GROOVED	15/07/2016	
3	13123017	2	Bolt High Speed	15/07/2016	
4	13723005	1	Stopper	15/07/2016	
5	13123020	1	Cover, Governor [NP]	15/07/2016	
6	13123019	1	METAL Sealing	15/07/2016	
7	13823027	1	Lever GOverNOR SP	15/07/2016	
8	13823005	1	ROD TIE	15/07/2016	
9	13223001	1	WEIGHT Assy,GOverNOR	15/07/2016	
10	13823006	1	Shaft Governor	15/07/2016	
11	13823003	1	Lever Assy Governor	15/07/2016	
12	13823002	1	Shaft Assy	15/07/2016	
13	13923006	1	Spring,TIE ROD	15/07/2016	
14	13823007	1	Lever Assy TENSIO	15/07/2016	
15	13823036	1	Spring START	15/07/2016	
16	13823031	1	Pin GROOVED (3X14	15/07/2016	
16-23	13823019	1	Cover Assy,governor [NP]	15/07/2016	
17	13823032	1	Cover,Governor	15/07/2016	
18	13823030	1	Spring Return	15/07/2016	
19	13823026	1	Lever Assy Stop	15/07/2016	
20	13823029	1	Lever Stop	15/07/2016	
21	52120008	1	Nut DIN 934 M8 8.8	15/07/2016	
22	53033008	1	Washer GROWER DIN 127-8	15/07/2016	
23	13123021	1	O-Ring D. 7X1.8	15/07/2016	
24	13823033	1	Gasket Governor Cover	15/07/2016	
25	13722045	1	Nut	15/07/2016	
25-30	13823035	1	Spring Set TORQUE (old)	15/07/2016	
26	13823037	1	Spring TORQUE	15/07/2016	
27	13823038	1	Nut SPECIAL (12)	15/07/2016	
28	13823039	1	Case TORQUE SPRIN	15/07/2016	
29	13823040	1	Screw Adjusting	15/07/2016	
30	13823041	1	StopPER Spring	15/07/2016	
31	13823042	1	Cap TORQUE Set SE	15/07/2016	
32	13823043	1	Cover TIE ROD	15/07/2016	
33	13823015	1	Spring GOverNOR	15/07/2016	



[NP] Not provided

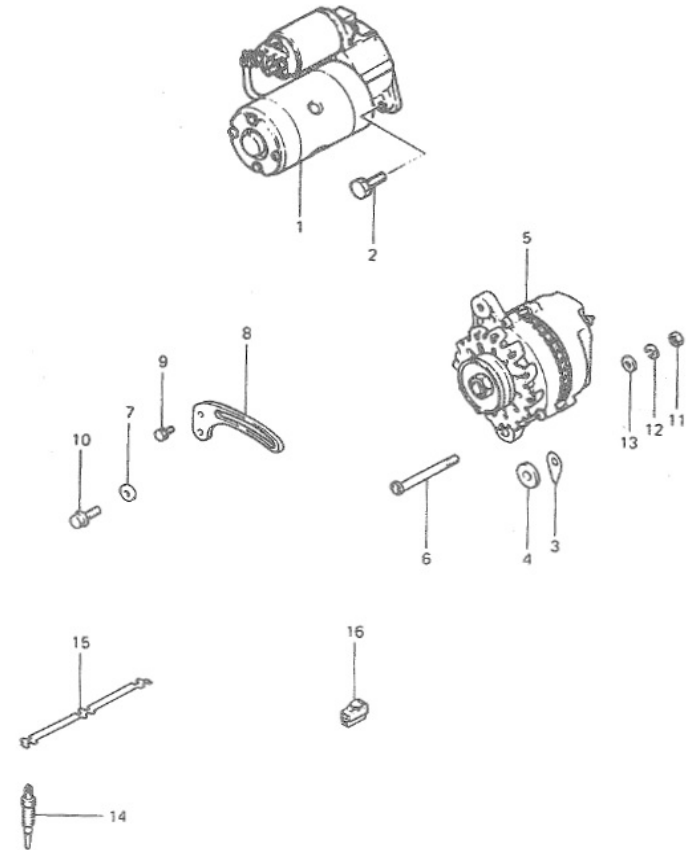


D_MI11_4_4		Governor Parts			
FIG.	REF.	QTY	DESCR.	FROM	UPTO
34	13223016	2	Bolt	15/07/2016	
35	52102155	1	Bolt DIN 933 M6-12 8.8	15/07/2016	
36	52102156	4	Bolt DIN 933 M6-16 8.8	15/07/2016	
38	52102158	1	Bolt DIN 933 M6-25 8.8	15/07/2016	
39	52120006	2	Nut DIN 934 M6 8.8	15/07/2016	
43	13823044	1	Spring TIE ROD	15/07/2016	
44	13823014	1	Gasket Tie Rod CO	15/07/2016	
45	13425028	1	Gasket	15/07/2016	
46	13824020	1	SOLENOID	15/07/2016	



D_MI11_5_1		Electrical System				
FIG.	REF.	QTY	DESCR.	FROM	UPTO	
1	13827001	1	Starter Assy 12 V	15/07/2016		
2	52102258	2	Bolt DIN 933 M8-25 8.8	15/07/2016		
3	13127005	0	Shim Adjusting [VAR]	15/07/2016		
4	13827006	1	Spacer Generator	15/07/2016		
5	13827010	1	Alternator 12V/40A	15/07/2016		
6	13727008	1	Bolt ALT.	15/07/2016		
7	51031008	1	Washer DIN 9021 8	15/07/2016		
8	13827007	1	BRACE Generator	15/07/2016		
9	52102156	1	Bolt DIN 933 M6-16 8.8	15/07/2016		
10	13827012	1	Bolt	15/07/2016		
11	52120008	1	Nut DIN 934 M8 8.8	15/07/2016		
12	53033008	1	Washer GROWER DIN 127-8	15/07/2016		
13	51030008	1	Washer DIN 125-8	15/07/2016		
14	13827017	2	Plug,Glow	15/07/2016		
15	13827018	1	Plate Glow Plug	15/07/2016		
16	13527018	1	Connector Assy 2-	15/07/2016		

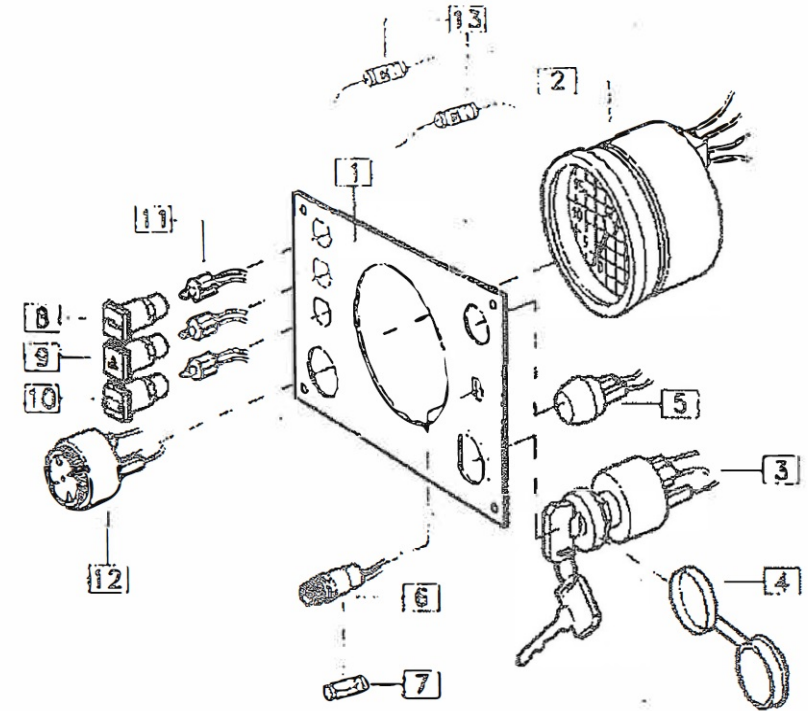
EQUIPO ELECTRICO



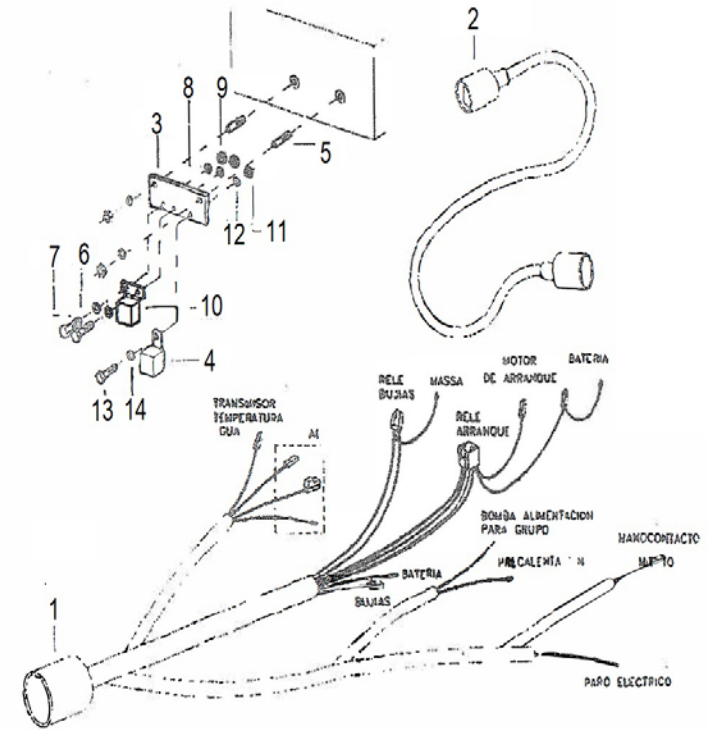
[VAR] Variable according to repair



D_MI11_5_5A		Electric Panel				
FIG.	REF.	QTY	DESCR.	FROM	UPTO	
1	60938001	1	Panel	15/07/2016		
1-13	60938000R	1	Panel MINI-11/17/26	15/07/2016		
2	60938710	1	TACHOMETER MINI-11,17 and 26	15/07/2016		
3	60900031	1	Key-Locking Switch	15/07/2016		
4	60900035	1	Cover,key	15/07/2016		
5	60900040	1	Switch, stop	15/07/2016	13/07/2017	
5	60900049	1	Pushbutton Stop	13/07/2017		
6	60900121	1	FuseHolder, panel	15/07/2016		
7	60900118	1	Fuse 10 A.	15/07/2016		
8	60900050A	1	LAMP, oil press.	15/07/2016		
9	60900052A	1	LAMP, water temp.	15/07/2016		
10	60900051A	1	LAMP, charge	15/07/2016		
11	60900045A	3	Bulb 12V 3W Connector JKL	15/07/2016		
12	60900060	1	Alarm, SWITCH	15/07/2016		
13	60900110	2	DIODE 3 A.	15/07/2016		



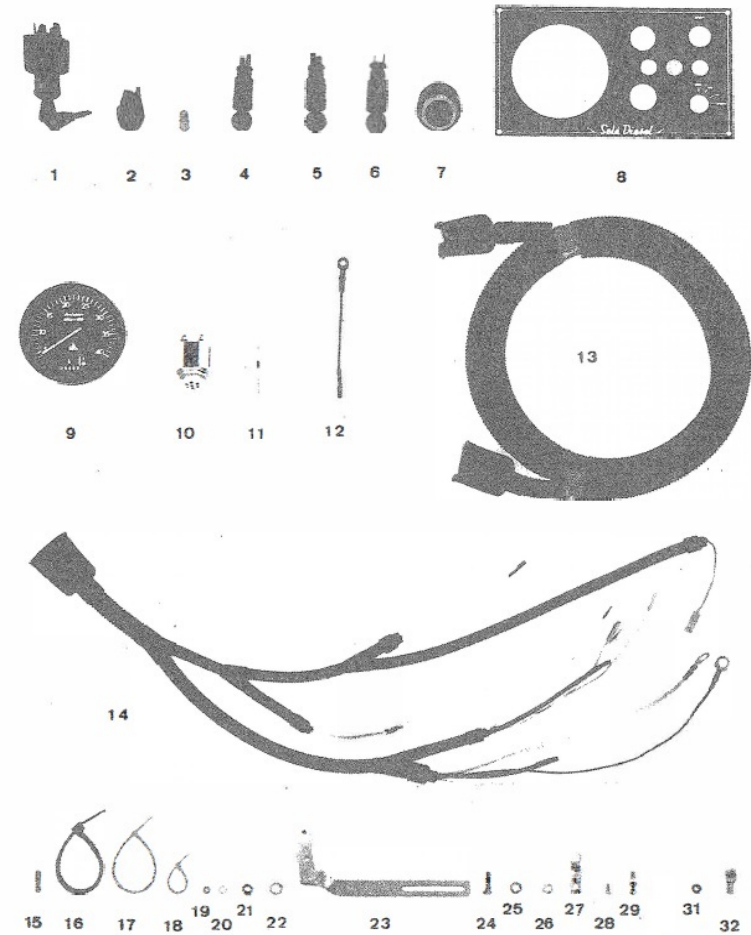
D_MI11_5_5B Wire Electrical					
FIG.	REF.	QTY	DESCR.	FROM	UPTO
1	60938200R	1	MINI-17/26/29 Electrical Wiring	15/07/2016	
2	60938210	1	Wiring Ext. 3 M.	15/07/2016	
3	13817001	1	Support,relay	15/07/2016	
4	18517005	1	Relay Nagares 12V 40A	15/07/2016	
5	13811018	2	MANIFOld,mounting stud	15/07/2016	
6	51030006	2	Washer DIN 125-6	15/07/2016	
7	52102156	2	Bolt DIN 933 M6-16 8.8	15/07/2016	
8	53033006	2	Washer GROWER DIN 127-6	15/07/2016	
9	52120006	2	Nut DIN 934 M6 8.8	15/07/2016	
10	13827005	1	Glow Relay	15/07/2016	
11	52120005	1	Nut DIN 934 M5 8.8	15/07/2016	
12	53033005	1	Washer GROWER DIN 127-5	15/07/2016	
13	52102106	1	Bolt DIN 933 M5-15 8.8	15/07/2016	
14	51030005	1	Washer DIN 125-5	15/07/2016	





D_MI11_5_6		Electrical Equipment and Remote Control			
FIG.	REF.	QTY	DESCR.	FROM	UPTO
1	60900031	1	Key-Locking Switch	15/07/2016	
1-11	60938000	1	Panel MINI-11/17	15/07/2016	
2	60900040	1	Switch, stop	15/07/2016	13/07/2017
2	60900049	1	Pushbutton Stop	13/07/2017	
3	60900045	3	Bulb 12V 3W Connector B	15/07/2016	
4	60900050	1	LAMP, oil press.	15/07/2016	
5	60900051	1	LAMP, charge	15/07/2016	
6	60900052	1	LAMP, water temp.	15/07/2016	
7	60900060	1	Alarm, SWITCH	15/07/2016	
8	60931001	1	Panel	15/07/2016	
9	60938710	1	TACHOMETER MINI-11,17 and 26	15/07/2016	
10	60937095	1	LAMP Glow (2-CYL.	15/07/2016	
11	60900110	2	DIODE 3 A.	15/07/2016	
12	60934040	1	WIRINE	15/07/2016	
13	60931210	1	Wiring Ext. 3 M.	15/07/2016	
14	60938200	1	Wiring,electrical MINI 17-26	15/07/2016	
15	60934117	1	Fuse 60A.	15/07/2016	
16	58088284	2	Pastic Cable Zip Tie	15/07/2016	
17	58088283	1	Pastic Cable Zip Tie	15/07/2016	
18	58088282	1	Pastic Cable Zip Tie	15/07/2016	
19	52120005	1	Nut DIN 934 M5 8.8	15/07/2016	
20	53033005	1	Washer GROWER DIN 127-5	15/07/2016	
21	52120008	1	Nut DIN 934 M8 8.8	15/07/2016	
22	53033008	1	Washer GROWER DIN 127-8	15/07/2016	
23	13819006	1	Bracket, Engine Control	15/07/2016	
24	52102157	2	Bolt DIN 933 M6-20 8.8	15/07/2016	
25	51030006	2	Washer DIN 125-6	15/07/2016	
26	53033006	3	Washer GROWER DIN 127-6	15/07/2016	
27	14719013	1	Clamp,cable	15/07/2016	
28	55307104	2	Bolt DIN 86 W3/16-10	15/07/2016	
29	14419023	1	Ball JOINT	15/07/2016	
31	52120006	1	Nut DIN 934 M6 8.8	15/07/2016	
32	15119015	1	CABLE Holder Ball	15/07/2016	
NS	60900035	1	Cover,key [NS]	15/07/2016	

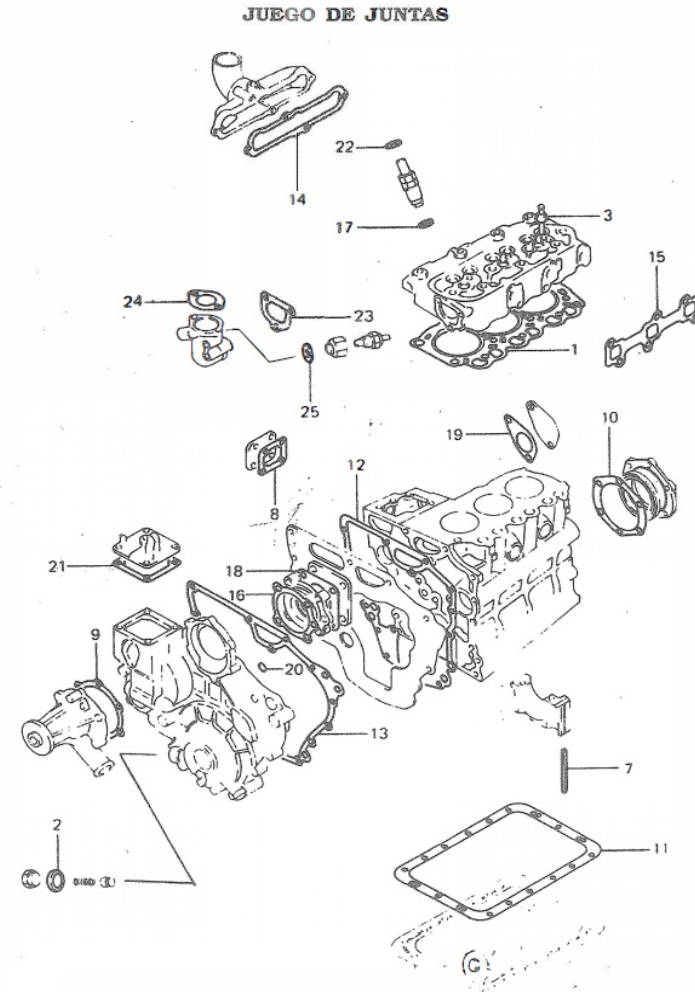
EQUIPO ELECTRICO MORSE



[NS] Not shown



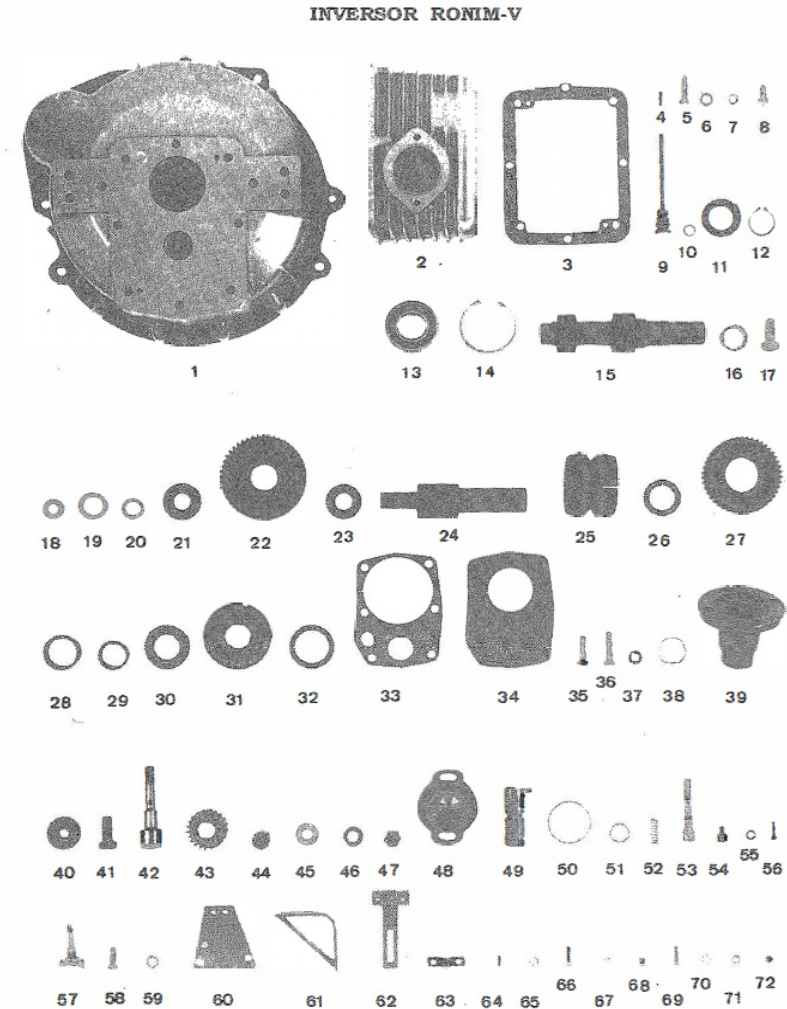
D_MI11_6_1		Gasket Kit			
FIG.	REF.	QTY	DESCR.	FROM	UPTO
1	13021004	1	Gasket Cylinder H	15/07/2016	
1-25	13020101	1	Kit Gasket	15/07/2016	
2	56000077	1	Washer 18-23-1,5	15/07/2016	
3	13222054	4	Seal Valve Stem	15/07/2016	
7	13820002	4	Seal Side	15/07/2016	
8	13823014	1	Gasket Tie Rod CO	15/07/2016	
9	13821022	1	Gasket Water Pump	15/07/2016	
10	13820016	1	Gasket Oil Seal C	15/07/2016	
11	13820033.4	1	Gasket Oil PAN	15/07/2016	
12	13820018	1	Gasket Front Plate	15/07/2016	
13	13820040	1	Gasket Gear Case	15/07/2016	
14	13821032	1	Gasket Intake COV [NP]	15/07/2016	
15	13821035	1	Gasket Exhaust Manifold	15/07/2016	
16	13820038	1	Gasket Housing	15/07/2016	
17	13824013	2	Injector Washer	15/07/2016	
18	13120047	1	Gasket Water Pump	15/07/2016	
19	13820012	1	Gasket Cover	15/07/2016	
20	13820044	2	O-Ring D. 11X2,5	15/07/2016	
21	13823033	1	Gasket Governor Cover	15/07/2016	
22	13824025	2	Injector Gasket	15/07/2016	
23	13821033	1	Gasket Thermostat	15/07/2016	
24	13821031	1	Gasket Water OutL	15/07/2016	
25	13821039	1	Gasket	15/07/2016	



[NP] Not provided



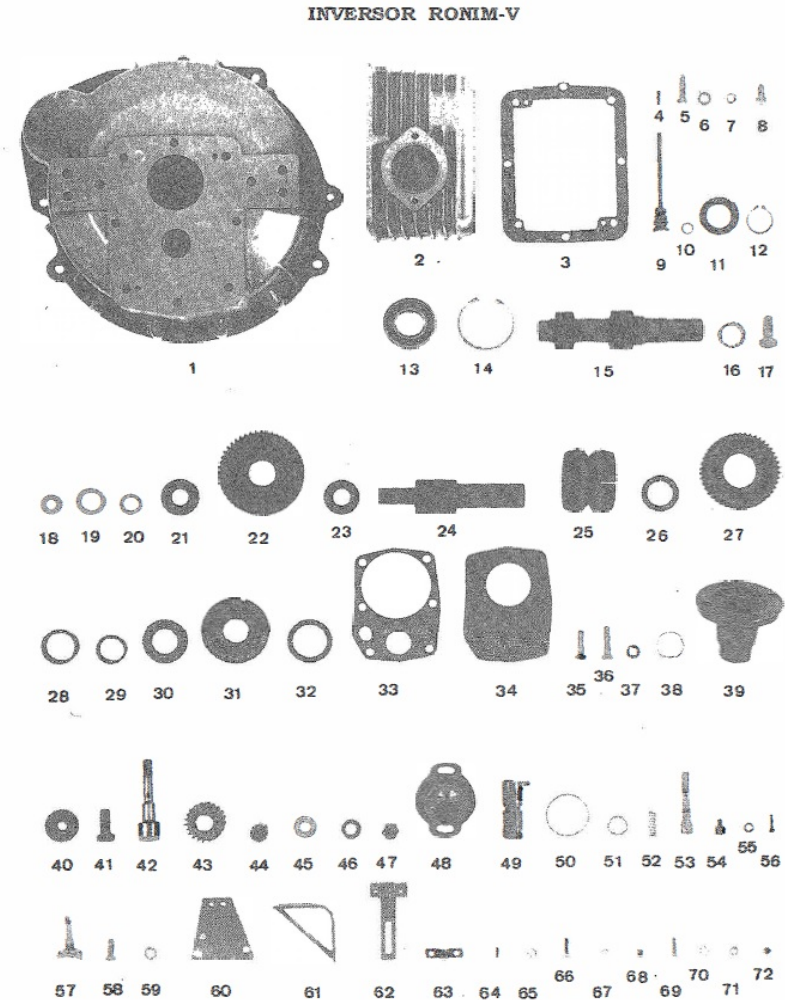
D_22513000		GearBox Assy RONIM V			
FIG.	REF.	QTY	DESCR.	FROM	UPTO
1	22510001	1	Housing, front	15/07/2016	
2	22513002	1	Housing, rear red.2:1	15/07/2016	
3	22510003	1	Gasket	15/07/2016	
4	22210007	2	Pin	15/07/2016	
5	52102259	8	Bolt DIN 933 M8-30 8.8	15/07/2016	
6	51030008	8	Washer DIN 125-8	15/07/2016	
7	57000357	1	Washer 8,2-12-1,5	15/07/2016	
8	52102256	1	Bolt DIN 933 M8-15 8.8	15/07/2016	
9	22310008	1	Plug,oil level	15/07/2016	
10	25210010	1	O-Ring D. 10,77X2,62	15/07/2016	
11	22210103	1	Seal,oil BA 30-47-7	15/07/2016	
12	53040030	1	CIRClip DIN 471 E-30	15/07/2016	
13	25110104	1	Ball Bearing 6206	15/07/2016	
14	53041062	1	CIRClip DIN 472 I-62	15/07/2016	
15	22513101	1	Shaft,input red. 2:1	15/07/2016	
16	22210106	1	Bearing,needle	15/07/2016	
17	25210222	1	Bolt,blockage	15/07/2016	
18	22210219	1	Washer	15/07/2016	
19	22210204	2	Bearing,needle	15/07/2016	
20	22210205	2	Ring	15/07/2016	
21	22510228	1	Spacer	15/07/2016	
22	22513203	1	Gear,front red. 2,28:1 [NP]	15/07/2016	
23	22510216	1	Spacer, Gear	15/07/2016	
24	22510201	1	Shaft, output	15/07/2016	
25	22510202	1	CONE, clutch (With THREAD)	15/07/2016	
26	22510217	1	Spacer, Gear	15/07/2016	
27	22513210	1	Gear,rear red. 2:1 [NP]	15/07/2016	
28	22510204	1	Bearing, needle	15/07/2016	
29	22510205	1	Ring, bearing	15/07/2016	
30	22510218	1	Bearing D. 32,25X52X5	15/07/2016	
31	22415224	1	Ball Bearing 6306-NR	15/07/2016	
32	25210214	1	Seal,oil 40-52-7	15/07/2016	
33	22510209	1	Gasket, rear	15/07/2016	
34	22513208	1	Cover, rear red. 2:1	15/07/2016	
36	52101260	2	Bolt DIN 931 M8-35 8.8	15/07/2016	



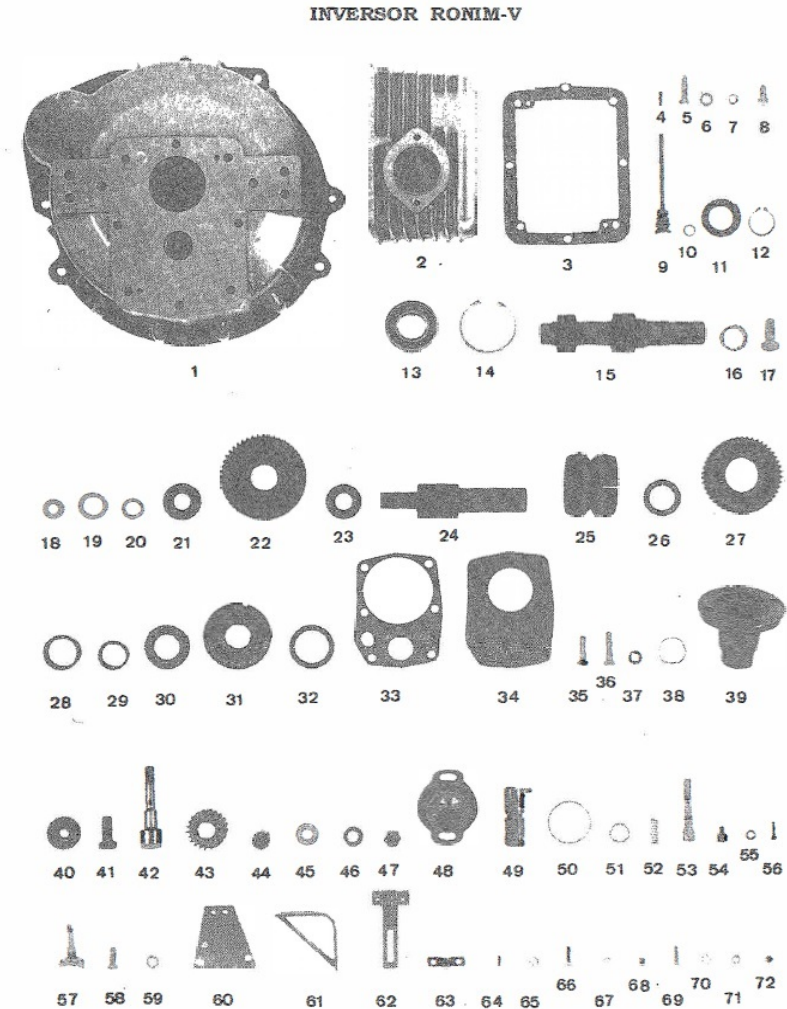
[NP] Not provided
 [NS] Not shown



D_22513000		GearBox Assy RONIM V			
FIG.	REF.	QTY	DESCR.	FROM	UPTO
38	25210231	1	O-Ring D. 29,5X1,5	15/07/2016	
39	22510225	1	Flange, output	15/07/2016	
40	25210219	1	Washer,blockage	15/07/2016	
41	53102359	1	Bolt DIN 933 M12-30 12.9	15/07/2016	
42	22510301R	1	INTERMEDIATE Shaft	15/07/2016	
43	22510302	1	Gear,intermediate	15/07/2016	
44	22510306	1	Bearing, needle	15/07/2016	
45	22510305	1	Washer, friction	15/07/2016	
46	51030012	1	Washer DIN 125-12	15/07/2016	
47	51123012	1	Nut DIN 985 M12 5.6	15/07/2016	
48	22513400.1	1	Control Assy	15/07/2016	
48-56	22513400	1	Control Assy	15/07/2016	
49	22310402R	1	EXCENTRICA, Control	15/07/2016	
50	22310417	1	O-Ring D. 49X2,5	15/07/2016	
51	25210408	1	O-Ring D. 18,3X25,5X3,6	15/07/2016	
52	25210411	1	Spring	15/07/2016	
53	25210424	1	Lever,control	15/07/2016	
54	14719115	1	Coupling,cable	15/07/2016	
55	51030006	1	Washer DIN 125-6	15/07/2016	
56	51051107	1	Pin DIN-94 1,6-16	15/07/2016	
57	22510423	1	ARM, control	15/07/2016	
58	52102257	2	Bolt DIN 933 M8-20 8.8	15/07/2016	
60	22510915	1	Bracket Morse REVERSE Gear	15/07/2016	
61	12119020	1	Bracket,Gear box control	15/07/2016	
61-68	12119000	1	Assy Bracket,morse control	15/07/2016	
62	12119021	1	SUPPORT Clamp	15/07/2016	
63	14719013	1	Clamp,cable	15/07/2016	
64	55307104	2	Bolt DIN 86 W3/16-10	15/07/2016	
66	52102157	2	Bolt DIN 933 M6-20 8.8	15/07/2016	
67	53033006	2	Washer GROWER DIN 127-6	15/07/2016	
68	52120006	2	Nut DIN 934 M6 8.8	15/07/2016	
NS	22513501	1	Gasket and Seal Kit RONIM-5 [NS]	15/07/2016	



D_22515000		GearBox Assy RONIM V			
FIG.	REF.	QTY	DESCR.	FROM	UPTO
1	22510001	1	Housing, front	15/07/2016	
2	22515002	1	Housing, rear RAT.3:1	15/07/2016	
3	22510003	1	Gasket	15/07/2016	
4	22210007	2	Pin	15/07/2016	
5	52102259	8	Bolt DIN 933 M8-30 8.8	15/07/2016	
6	51030008	8	Washer DIN 125-8	15/07/2016	
7	57000357	1	Washer 8,2-12-1,5	15/07/2016	
8	52102256	1	Bolt DIN 933 M8-15 8.8	15/07/2016	
9	22310008	1	Plug,oil level	15/07/2016	
10	25210010	1	O-Ring D. 10,77X2,62	15/07/2016	
11	22210103	1	Seal,oil BA 30-47-7	15/07/2016	
12	53040030	1	CIRClip DIN 471 E-30	15/07/2016	
13	25110104	1	Ball Bearing 6206	15/07/2016	
14	53041062	1	CIRClip DIN 472 I-62	15/07/2016	
15	22515101	1	Shaft, imput red. 3:1	15/07/2016	
16	22210106	1	Bearing,needle	15/07/2016	
17	25210222	1	Bolt,blockage	15/07/2016	
18	22210219	1	Washer	15/07/2016	
19	22210204	2	Bearing,needle	15/07/2016	
20	22210205	2	Ring	15/07/2016	
21	22510228	1	Spacer	15/07/2016	
22	22515203	1	Gear,front red.3:1 [NP]	15/07/2016	
23	22510216	1	Spacer, Gear	15/07/2016	
24	22510201	1	Shaft, output	15/07/2016	
25	22510202	1	CONE, clutch (With THREAD)	15/07/2016	
26	22510217	1	Spacer, Gear	15/07/2016	
27	22515210	1	Gear,rear red. 3:1 [NP]	15/07/2016	
28	22510204	1	Bearing, needle	15/07/2016	
29	22510205	1	Ring, bearing	15/07/2016	
30	22510218	1	Bearing D. 32,25X52X5	15/07/2016	
31	22415224	1	Ball Bearing 6306-NR	15/07/2016	
32	25210214	1	Seal,oil 40-52-7	15/07/2016	
33	22510209	1	Gasket, rear	15/07/2016	
34	22515208	1	Cover, rear red. 3:1	15/07/2016	
36	52101260	2	Bolt DIN 931 M8-35 8.8	15/07/2016	



[NP] Not provided
 [NS] Not shown



D_22515000		GearBox Assy RONIM V			
FIG.	REF.	QTY	DESCR.	FROM	UPTO
38	25210231	1	O-Ring D. 29,5X1,5	15/07/2016	
39	22510225	1	Flange, output	15/07/2016	
40	25210219	1	Washer,blockage	15/07/2016	
41	53102359	1	Bolt DIN 933 M12-30 12.9	15/07/2016	
42	22510301R	1	INTERMEDIATE Shaft	15/07/2016	
43	22510302	1	Gear,intermediate	15/07/2016	
44	22510306	1	Bearing, needle	15/07/2016	
45	22510305	1	Washer, friction	15/07/2016	
46	51030012	1	Washer DIN 125-12	15/07/2016	
47	51123012	1	Nut DIN 985 M12 5.6	15/07/2016	
48	22513400.1	1	Control Assy	15/07/2016	
48-56	22515400	1	Control Assy R.3:1	15/07/2016	
49	22310402R	1	EXCENTRICA, Control	15/07/2016	
50	22310417	1	O-Ring D. 49X2,5	15/07/2016	
51	25210408	1	O-Ring D. 18,3X25,5X3,6	15/07/2016	
52	25210411	1	Spring	15/07/2016	
53	25210424	1	Lever,control	15/07/2016	
54	14719115	1	Coupling,cable	15/07/2016	
55	51030006	1	Washer DIN 125-6	15/07/2016	
56	51051107	1	Pin DIN-94 1,6-16	15/07/2016	
57	22510423	1	ARM, control	15/07/2016	
58	52102257	2	Bolt DIN 933 M8-20 8.8	15/07/2016	
60	22510915	1	Bracket Morse REVERSE Gear	15/07/2016	
61	12119020	1	Bracket,Gear box control	15/07/2016	
61-68	12119000	1	Assy Bracket,morse control	15/07/2016	
62	12119021	1	SUPPORT Clamp	15/07/2016	
63	14719013	1	Clamp,cable	15/07/2016	
64	55307104	2	Bolt DIN 86 W3/16-10	15/07/2016	
66	52102157	2	Bolt DIN 933 M6-20 8.8	15/07/2016	
67	53033006	2	Washer GROWER DIN 127-6	15/07/2016	
68	52120006	2	Nut DIN 934 M6 8.8	15/07/2016	
NS	22513501	1	Gasket and Seal Kit RONIM-5 [NS]	15/07/2016	

