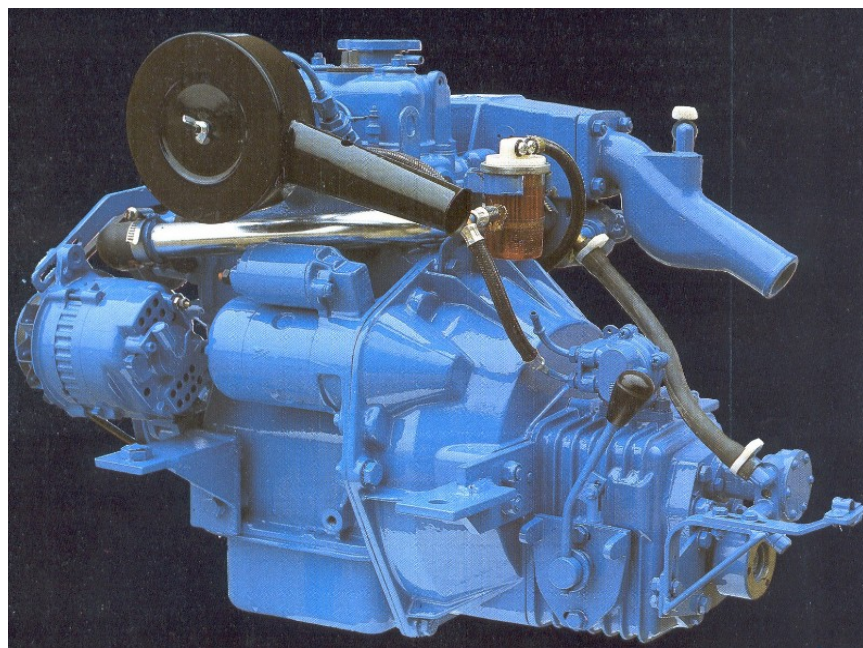




Engine MINI-10
VERSION 2018-1
SPARE PARTS MANUAL



PARTS LIST CATALOGUE

NORMS TO PLACE AN ORDER:

For fast and more efficient service, please specify the following information on spare parts orders that must be preferably done by FAX or e-mail as specified below:

- 1- Engine model: As shown in identification plate
- 2- Engine serial number: As shown in identification plate and stamped on crankcase
- 3- Item description + part number + quantity required

Spare parts requests must be addressed to:

recambios@solediesel.com

Tel.: +34 93 775 44 05

Fax: +34 93 775 30 13

The components shown in the catalog have:

- Figure: Number by which they are represented in scheme
 - Description: Trade name of the component
 - Quantity: Total number of parts used in the assembly of the part represented (may differ from the total minimum quantities)
- Hoses, indicates the total length in meters

The diagrams shown in this catalog of spare parts, have only the purpose to identify the piece in question, its representation is not meaningful and may differ from the actual piece.

In case of doubt, contact Solé Diesel, or your authorized dealer.

The parts i / or references in this catalog are subject to change without notice.

[SOLE, S.A.](#)

C-243b, Km, 2 - P.O. BOX 15
08760 Martorell (Barcelona) Spain

Download the latest version of this manual [HERE](#)

Engine Body

Cylinder Head
Oil Pan & Gear Case
Timing Parts
Crankcase
Crankshaft, Piston & Connecting Rod
Oil System
Engine Brackets & Inlet
Bracket, Engine Control

Cooling System

Water Pump
Cooling System 1
Cooling System 2

Fuel System

Fuel Pipe
Fuel Injection Pump
Nozzle
Governor Parts

12V Electrical System

Electrical System 1
Electrical System 2

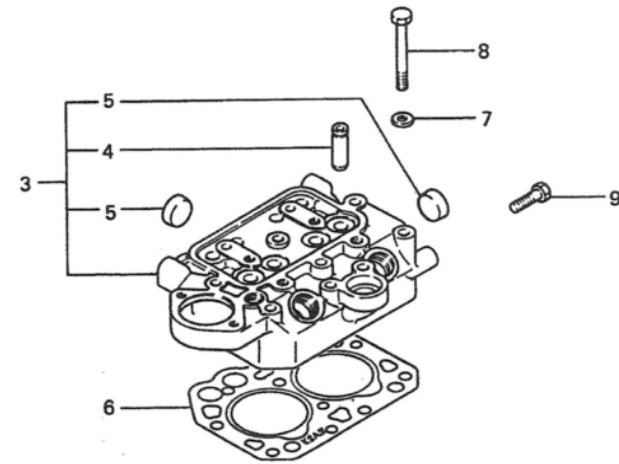
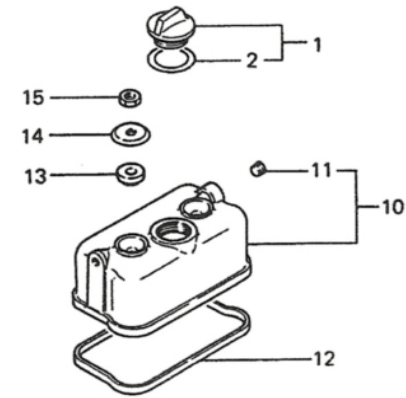
Maintenance Kit

Gasket Kit

GearBox

GearBox RONIM III R.2,00
GearBox RONIM III R.3,00

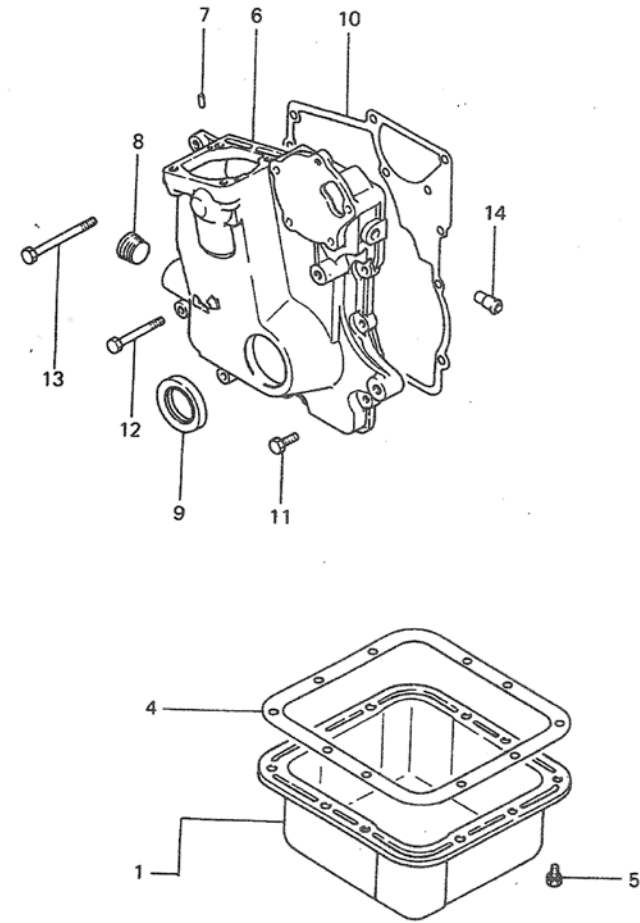
D_MI09_1_1		Cylinder Head				
FIG.	REF.	QTY	DESCR.	FROM	UPTO	
1	13521003	1	Cap Oil FILLER			
2	13721007	1	O-Ring D. 30X3			
3	13721001	1	Head Assy CYLINDE [NP]			
4	13721002	4	Guide Valve			
5	13220012	2	Cap Sealing			
6	13721004	1	Gasket Cylinder H			
7	13721005	10	Washer Head Bolt			
8	13721006	10	Bolt DIN 931 M8-75 8.8			
10	13721009	1	Cover Assy Rocker			
11	13721017	1	Plug TAPER(NPTF-1			
12	13721010	1	Gasket Rocker COV			
13	13221016	2	Seal			
14	13221015	2	Washer			
15	13120050	2	Nut DIN 934 M8 8.8			



[NP] Not provided



D_MI09_1_2		Oil Pan & Gear Case				
FIG.	REF.	QTY	DESCR.	FROM	UPTO	
1-3	13720030	1	PAN Assy Oil [NP]			
4	13720033	1	Gasket OilPAN			
5	13123005	10	Bolt DIN 933 M6-12 8.8 [NP]			
6	13720035	1	Case Gear [NP]			
7	13120036	2	Pin Dowel [NP]		02/08/2017	
7	17620036.4	2	Pin Dowel	02/08/2017		
8	13120037	1	Plug TAPER 1/2			
9	13220039	1	Seal Oil			
10	13720040	1	Gasket GearCase			
11	13720042	4	Bolt DIN 933 M6-20 8.8			
12	13720038	4	Bolt [NP]			
13	13720041	1	Bolt			
14	13221017	1	Pipe			

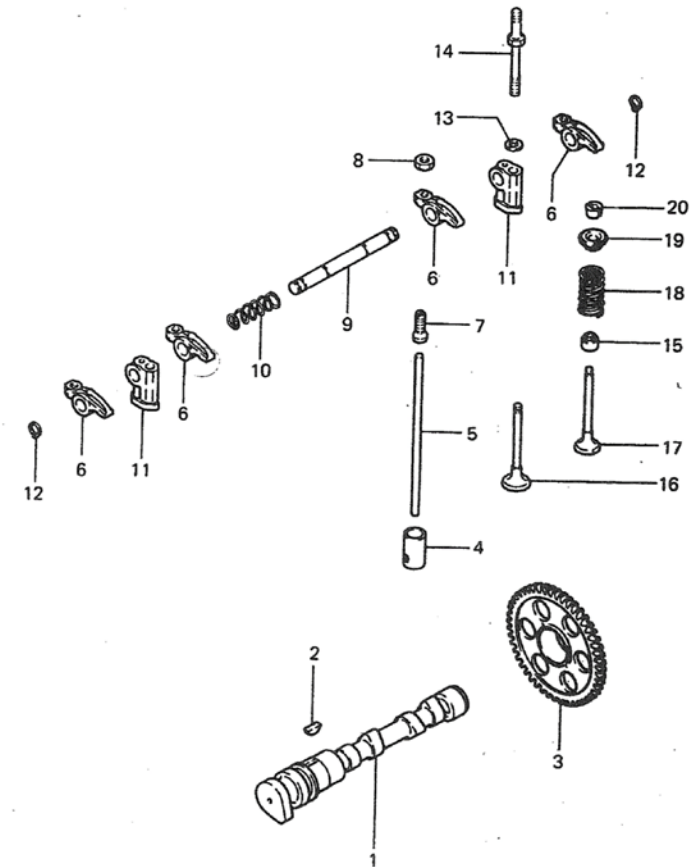


[NP] Not provided





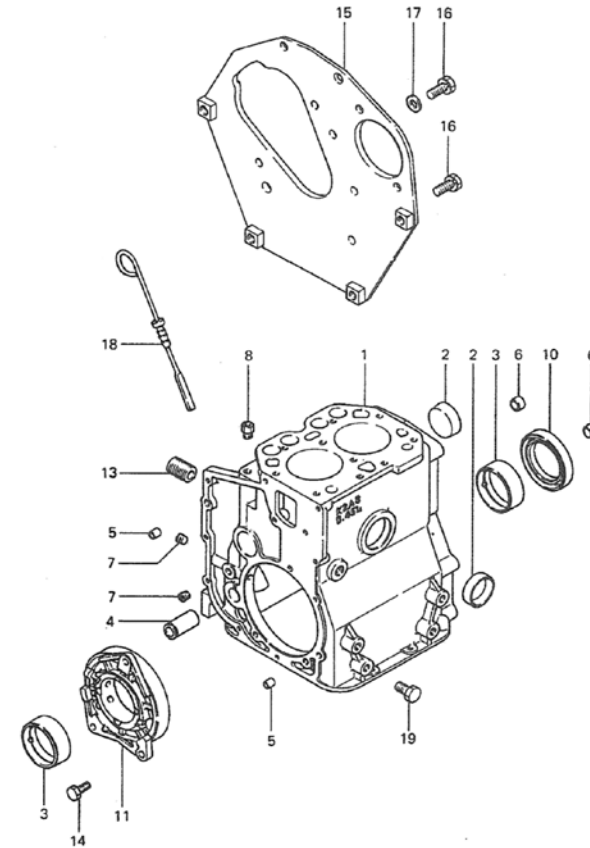
D_MI09_1_4		Timing Parts				
FIG.	REF.	QTY	DESCR.	FROM	UPTO	
1	13722035	1	CamShaft [NP]			
2	13122036	1	KEY			
3	13722037	1	Gear CamShaft			
4	13722040	4	Tappet			
5	13722041	4	ROD PUSH			
6	13722042	4	ARM Rocker			
7	13722044	4	Screw Adjusting			
8	13722045	4	Nut			
9	13722046	1	Shaft Rocker			
10	13722047	1	Spring Rocker SHAFT			
11	13722048	2	Rocker Shaft Support [NP]		02/08/2017	
11	17222057.4	2	Rocker Shaft Support	02/08/2017		
12	13722051	2	CIRClip DIN 471 E-12			
13	13121025	2	Washer DIN 125-8			
14	13722053	2	Bolt Rocker STAY			
15	13222054	4	Seal Valve Stem			
16	13722055	2	Intake Valve			
17	13722056	2	Exhaust Valve			
18	13722057	4	Spring Valve			
19	13722058	4	Retainer Valve SP			
20	13222059	8	Lock Valve			



[NP] Not provided



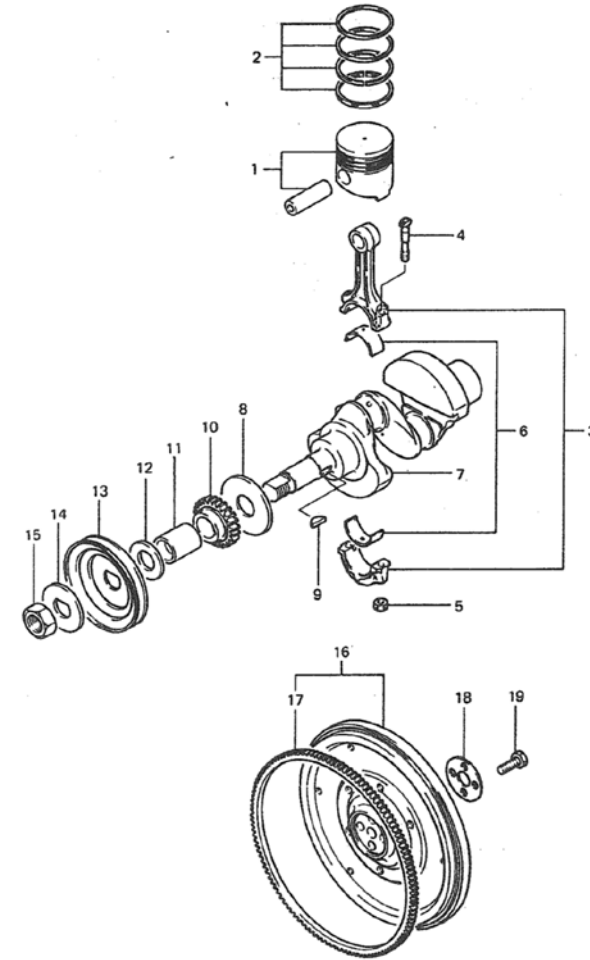
D_MI09_1_6		Cranckcase			
FIG.	REF.	QTY	DESCR.	FROM	UPTO
1-3	13720001	1	Block SUB Assy CY [NP]		
2	13520013	2	Cap,SeallING		
3A	13720003	1	METAL		
3B	13720005	2	Bearing CRANK SHA		
3C	13720006	2	Bearing CRANK SHA		
3D	13720004	2	Bearing CRANK SHA		
4	13720008	1	Shaft GOVERNOR GE		
5	13720009	2	Bushing (6X9)		
6	13520010	2	KNOCK		
7	13120011	2	Plug, Tapered [NP]		12/07/2017
7	17820011	2	Plug, Tapered [NP]	12/07/2017	
8	13120014	1	Connector		
10	13720019	1	Seal Oil		
11	13720020	1	Housing Bearing		
12	13720003	1	METAL		
13	13124047	1	Shaft Oil Filter		
14	13120026	3	Bolt DIN 933 M8-20 8.8		
15	13720024	1	Plate REAR [NP]		
16	13227002	6	Bolt DIN 933 M10-1,25-25 8.8		
17	13720025	1	Washer DIN 125-10		
18	13720029	1	Gauge Oil LEVEL		



[NP] Not provided



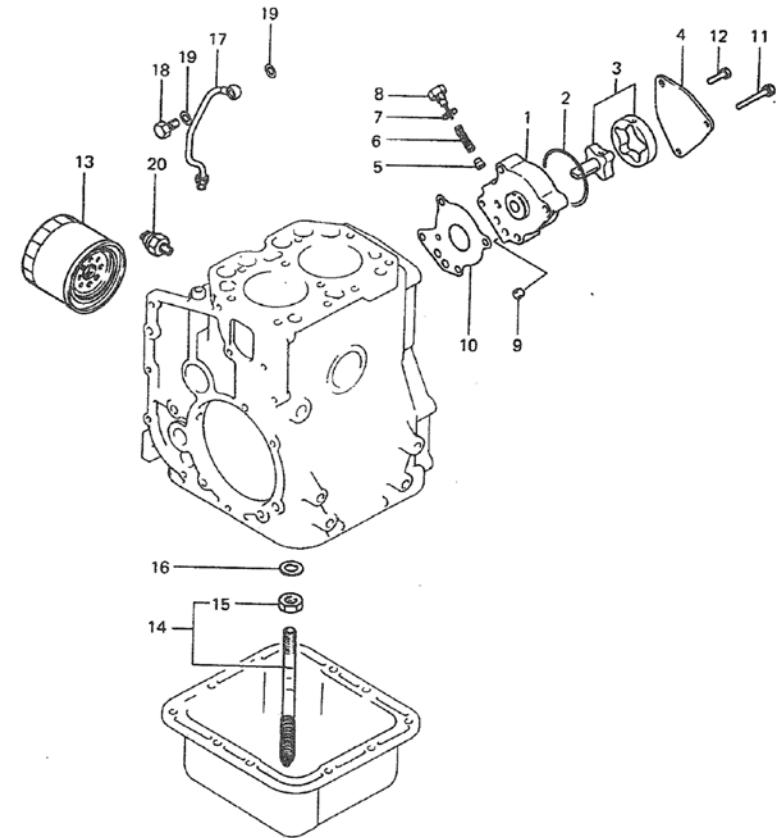
D_MI09_1_8		Crankshaft, Piston & Connecting Rod			
FIG.	REF.	QTY	DESCR.	FROM	UPTO
1A	13722001	2	Piston & Pin Assy		
1B	13722002	2	Piston & Pin Assy		
1C	13722003	2	Piston & Pin Assy		
1D	13722004	2	Piston & Pin Assy		
2A	13722006	2	Ring Set Piston		
2B	13722007	2	Ring Set Piston O		
2C	13722008	2	Ring Set Piston O		
2D	13722009	2	Ring Set Piston O		
3-5	13722012	2	ROD Assy		
4	13222013	4	Bolt,connecting rod		
5	13222011	4	Nut,connecting rod		
6A	13722014	2	Bearing Set CON R		
6B	13722015	2	Bearing Set CON R		
6C	13722016	2	Bearing Set CON R		
6D	13722017	2	Bearing Set CON R		
7	13722018	1	Shaft CRANK [NP]		
8	13722019	1	Plate CrankShaft		
9	13222020	1	KEY		
10	13722021	1	Gear CrankShaft		
11	13722022	1	PIECE DISTANCE		
12	13722023	1	Washer		
13	13722024	1	Pulley CrankShaft		
14	13722025	1	Washer Plain (24)		
15	13122026	1	Nut		
16	13722027	1	Flywheel Assy		
17	13722029	1	Gear Ring Z=106 [NP]		
18	13722030	1	Washer TONGUED		
19	13722031	4	Bolt		



[NP] Not provided



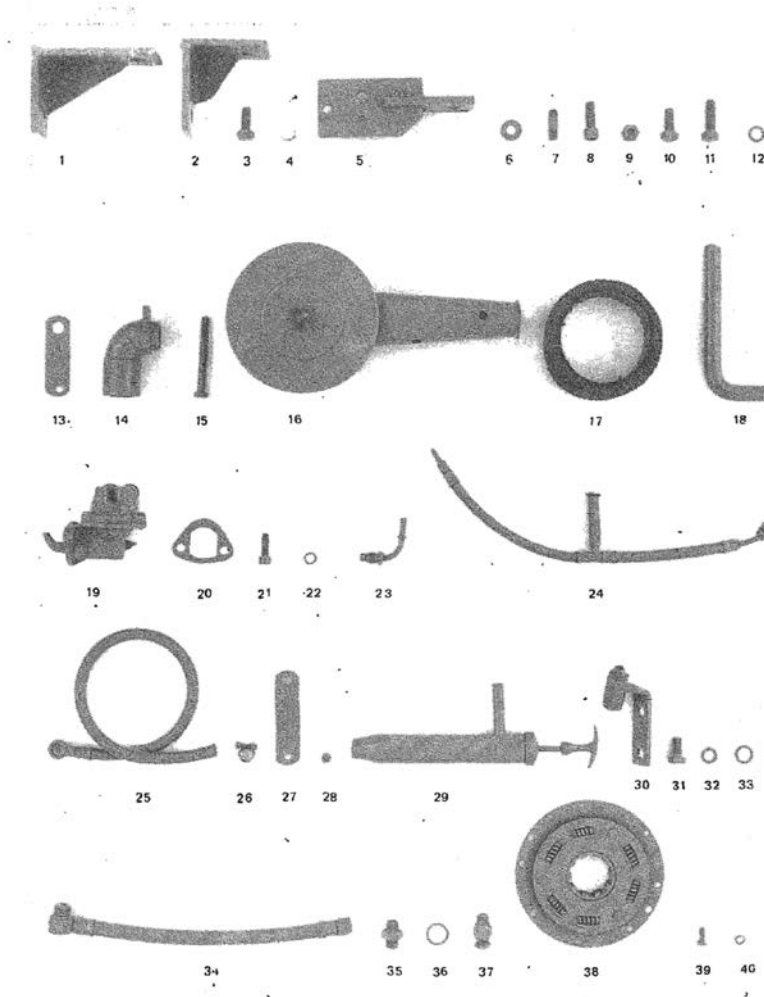
D_MI09_1_10		Oil System				
FIG.	REF.	QTY	DESCR.	FROM	UPTO	
1	13724046	1	Body Assy Oil PUM			
1-9	13724040	1	Pump Assy Oil			
3	13724042	1	Rotor			
4	13724061	1	Cover Oil Pump			
5	13724043	1	Body Assy Oil PUM [NP]			
6	13724044	1	Spring RELIEF			
7	13124046	1	Gasket			
8	13724045	1	Valve Plug [NP]			
9	13120011	2	Plug, Tapered [NP]		12/07/2017	
9	17820011	2	Plug, Tapered [NP]	12/07/2017		
10	13724041	1	Gasket Oil Pump B			
11	13724050	3	Bolt			
12	13720042	1	Bolt DIN 933 M6-20 8.8			
13	13124051	1	Filter Oil Element			
14	13724052	1	SCREEN Assy Oil			
15	13124053	1	Nut			
16	13124001	1	Washer			
17	13724057	1	Pipe Assy Oil			
18	13124058	1	Bolt EYE			
19	13124059	2	Gasket			
20	13124060	1	Switch			



[NP] Not provided



D_MI09_1_12		Engine Brackets & Inlet			
FIG.	REF.	QTY	DESCR.	FROM	UPTO
1	13710002	1	Bracket Front,right [NP]		
2	13710003	1	Bracket Front,left [NP]		
4	53033010	4	Washer GROWER DIN 127-10		
5	13110010	2	Support REAR		
6	13110017	6	Washer DIN 125		
7	13710009	2	Stud,bracket rear		
8	52103309	4	Bolt DIN 912 M10-30 8.8		
9	51123010	6	Nut DIN 985 M10 5.6		
10	52202308	5	Bolt DIN 933 M10-1,25-25 8.8		
11	52202310	1	Bolt DIN 933 M10-1,25-35 8.8		
12	53038010	6	Washer DIN 6798-A 10		
13	13710013	1	Bracket,transport rear		
14	13710011	1	Inlet,manifold		
15	52101269	1	Bolt DIN 931 M8-80 8.8		
16	13710012	1	Air Filter Assy without filter element		
17	13211013	1	Air Filter Assy		
18	13111037	1	Elbow Rubber		
19	13114001	1	Pump Fuel Supply		
20	13114002	2	Gasket		
21	52103258	2	Bolt DIN 912 M8-25 8.8		
22	53038008	2	Washer DIN 6798-A 8		
23	13114003	1	Pipe Inlet		
24	13714007	1	Pipe,fuel pump to cooler [NP]		
25	13714008	1	Pipe,fuel filter to pump [NP]		
26	51080012	2	Clamp 12-13		
27	13710012	1	Air Filter Assy without filter element		
28	51120006	1	Nut DIN 934 M6 8.8		
29	14713001	1	Manifold,Exhaust Assy 4108		
30	13714002	1	Bracket,oil pump [NP]		
31	52202307	2	Bolt DIN 933 M10-1,25-20 8.8		
32	53033010	2	Washer GROWER DIN 127-10		
33	56000067	3	Washer 13-20-1,5		
34	13214021	1	ExtraCTION Hose		
35	13214024	1	NIPPLE,oil pump bracket		
36	56000077	2	Washer 18-23-1,5		

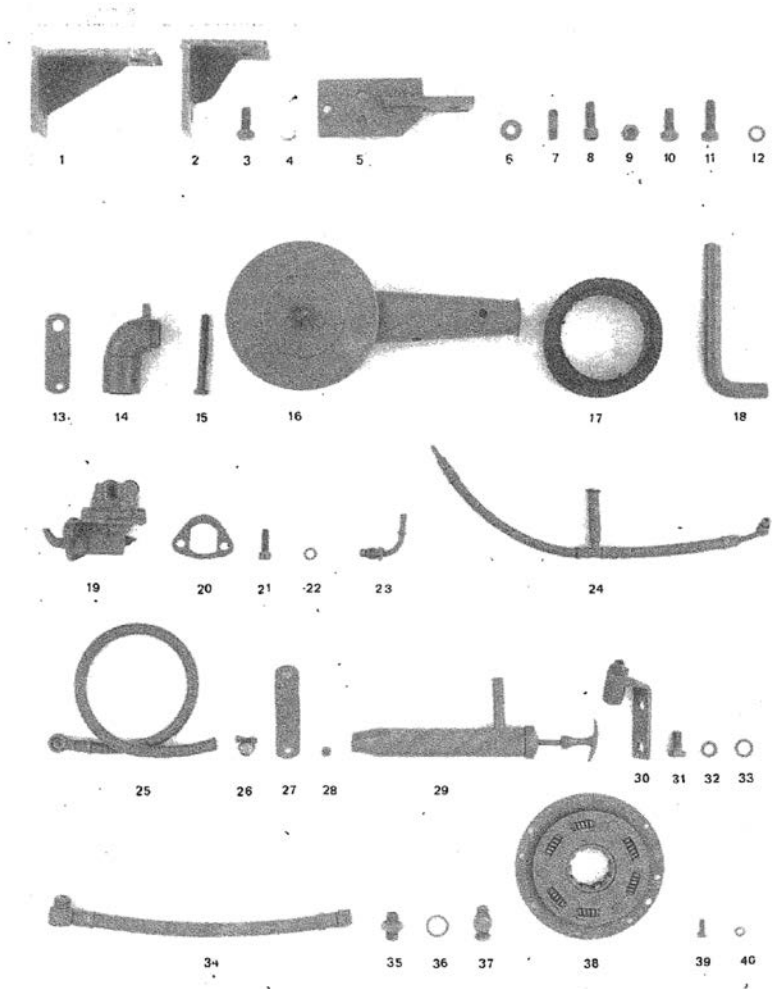


[NP] Not provided





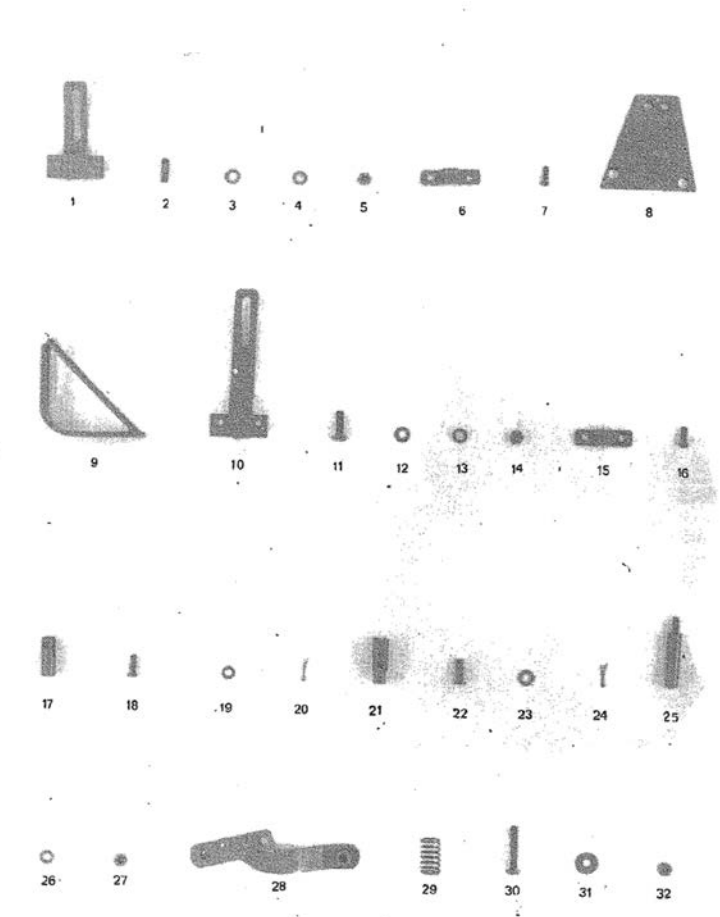
D_MI09_1_12		Engine Brackets & Inlet			
FIG.	REF.	QTY	DESCR.	FROM	UPTO
37	13111039	1	Plug,taper		
38	13710010	1	Flexible Coupling Type A D. 155		
39	52102156	8	Bolt DIN 933 M6-16 8.8		
40	53033006	8	Washer GROWER DIN 127-6		



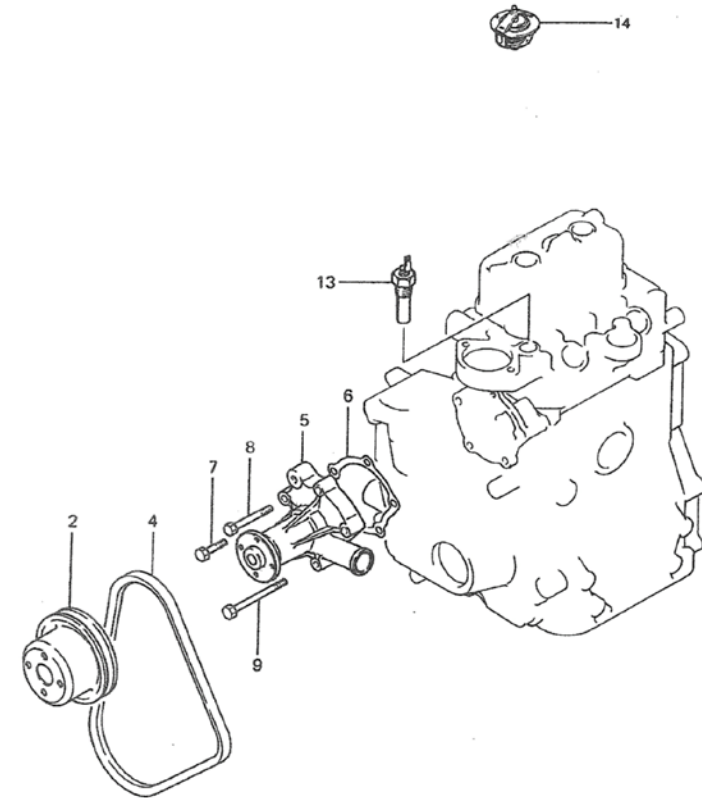


D_MI09_1_13		Bracket, Engine Control				
FIG.	REF.	QTY	DESCR.	FROM	UPTO	
1	13719004	1	Bracket,engine control [NP]			
2	13517003	2	ROD DIN 913 M6-25 8.8 [NP]			
3	51030006	2	Washer DIN 125-6			
4	53033006	2	Washer GROWER DIN 127-6			
5	14719013	2	Clamp,cable			
6	55307105	1	Bolt DIN 86 W3/16-13			
7	55307105	2	Bolt DIN 86 W3/16-13			
8	13119015	1	Bracket Morse REVERSE Gear			
9	12119020	1	Bracket,Gear box control			
10	12119021	1	SUPPORT Clamp			
11	51102157	4	Bolt DIN 933 M6-20 8.8			
12	51030006	4	Washer DIN 125-6			
13	53033006	4	Washer GROWER DIN 127-6			
14	51120006	4	Nut DIN 934 M6 8.8			
15	14719013	1	Clamp,cable			
16	55307105	2	Bolt DIN 86 W3/16-13			
17	14719026	1	SPLIT,piece reverser morse			
18	14719027	1	Pin			
19	51030005	2	Washer DIN 125-5			
20	51051107	1	Pin DIN-94 1,6-16			
21	13119003	1	SPLIT PIECE			
22	14719034	1	Pin			
24	51051107	1	Pin DIN-94 1,6-16			
25	13117006	1	ROD Control			
26	53033006	1	Washer GROWER DIN 127-6			
27	51120006	1	Nut DIN 934 M6 8.8			
28	13719006	1	Bracket,low speed [NP]			
29	13119005	1	Spring Control			
30	51102160	1	Bolt DIN 933 M6-35 5.6			
31	51031006	1	Washer DIN 9021 6			
32	51120006	2	Nut DIN 934 M6 8.8			

[NP] Not provided



D_MI09_3_1		Water Pump				
FIG.	REF.	QTY	DESCR.	FROM	UPTO	
2	13221021	1	Pulley Water Pump			
4	13721028	1	Belt Type Z 31 790			
5	13721020	1	Fresh Water Pump			
6	13721022	1	Gasket Water Pump			
7	52101169	1	Bolt DIN 931 M6-80 8.8			
8	13721024	3	Bolt DIN 931 M6-65 8.8			
9	13721025	1	Bolt DIN 931 M6-80 8.8			
13	13127080	1	SWITCH THERMO			
14	13221027	1	Thermostat (71°)			
NS	13123005	4	Bolt DIN 933 M6-12 8.8 [NP] [NS]			

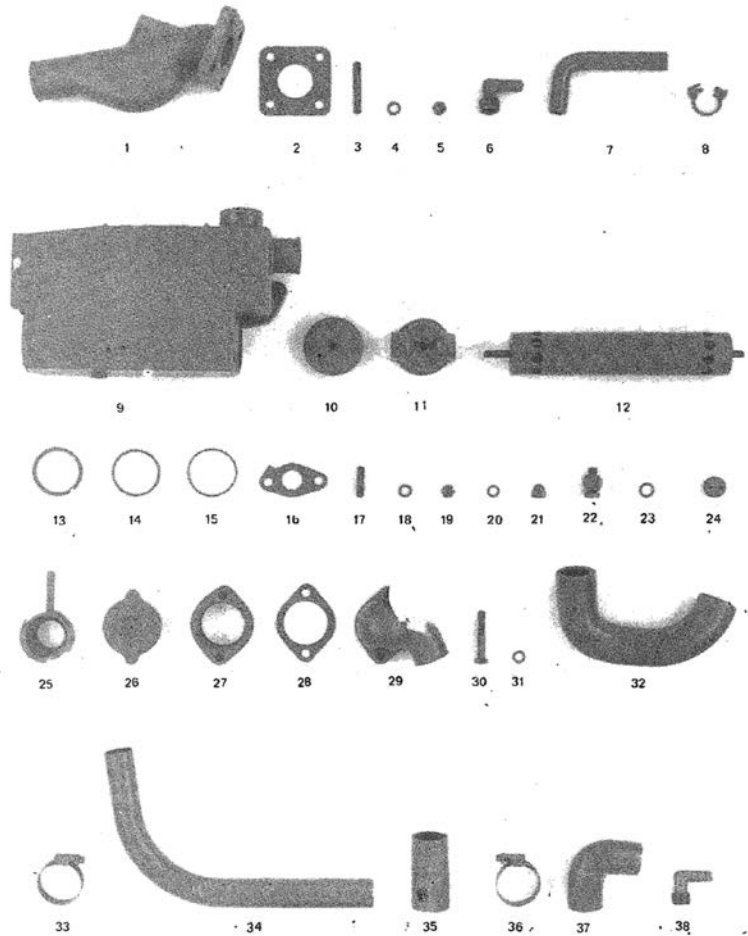


[NP] Not provided
 [NS] Not shown



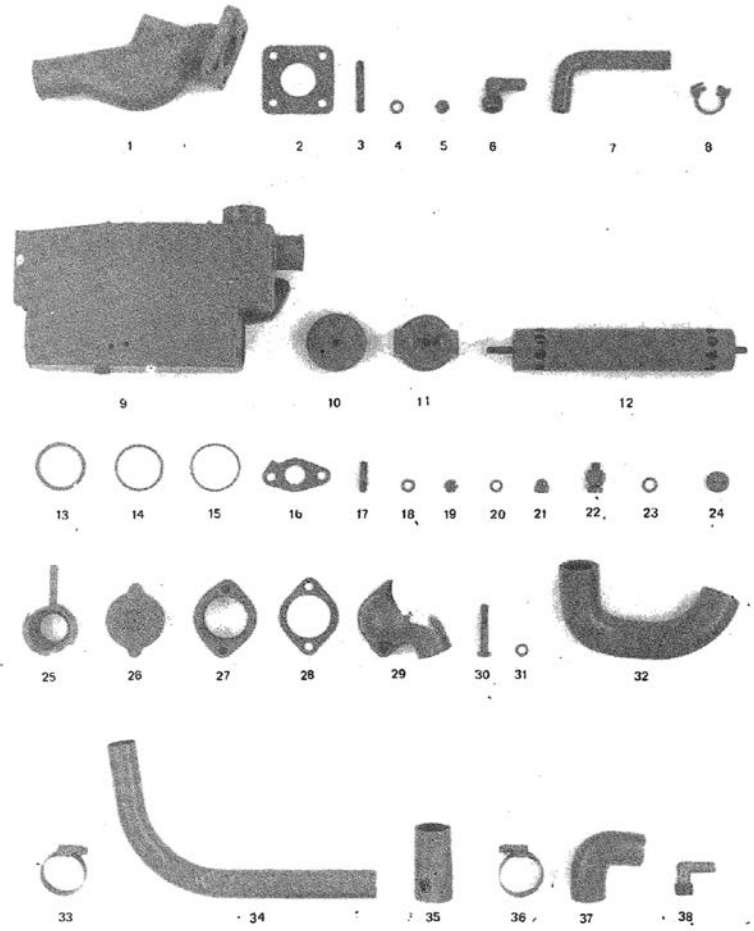
D_MI09_3_2		Cooling System 1			
FIG.	REF.	QTY	DESCR.	FROM	UPTO
1	13111023	1	Elbow, Wet Exhaust		
2	15113043	1	Exhaust Elbow Gasket		
3	13513016	4	Stud,cover		
4	53033008	4	Washer GROWER DIN 127-8		
5	54120008	4	Nut DIN 934 M8		
6	12811057	1	Elbow,water outlet	24/03/2017	
6	12811056	1	Elbow,water outlet [NP]		24/03/2017
7	13111037	1	Elbow Rubber		
9	13711001	1	Body, Water Cooler [NP]		
10	13511002	1	Water Cooler Cover		
11	13511003	1	Water Cooler Cover		
12	13711004	1	Tubular Bundle		
13	13511008	1	O-Ring D. 45X4,5		
14	13511010	1	O-Ring D. 45X3		
15	25210417	1	O-Ring D. 47X2,5		
16	13721035	2	Gasket Exhaust MA		
17	13711009	4	Stud		
18	53033008	4	Washer GROWER DIN 127-8		
19	54120008	4	Nut DIN 934 M8		
20	56000057	4	Washer 8-13-1,5		
21	13211016	2	Nut DIN 1587 M8		
22	13111038	1	Bolt DIN 933 M10-15 8.8		
23	56000062	1	Washer 10,5-16,5-1,5		
24	14711011	1	Plug		
25	15111002	1	Cap Mouth		
26	14711003	1	Cap [NP]		18/01/2017
26	14711003.1	1	Cap	19/01/2017	
27	13711020	1	FITTING,thermostat		
28	13211054	2	Engine Water OutLER Gasket		
29	13511021	1	Fitting, Water Outlet		
30	52101263	2	Bolt DIN 931 M8-50 8.8		
31	53038008	2	Washer DIN 6798-A 8		
32	13711022	1	Elbow,engine water exhaust		
33	54082025	2	Clamp DIN 3017 25-40/12 W4		
34	13711025	1	Pipe,water pump to cooler [NP]		

[NP] Not provided



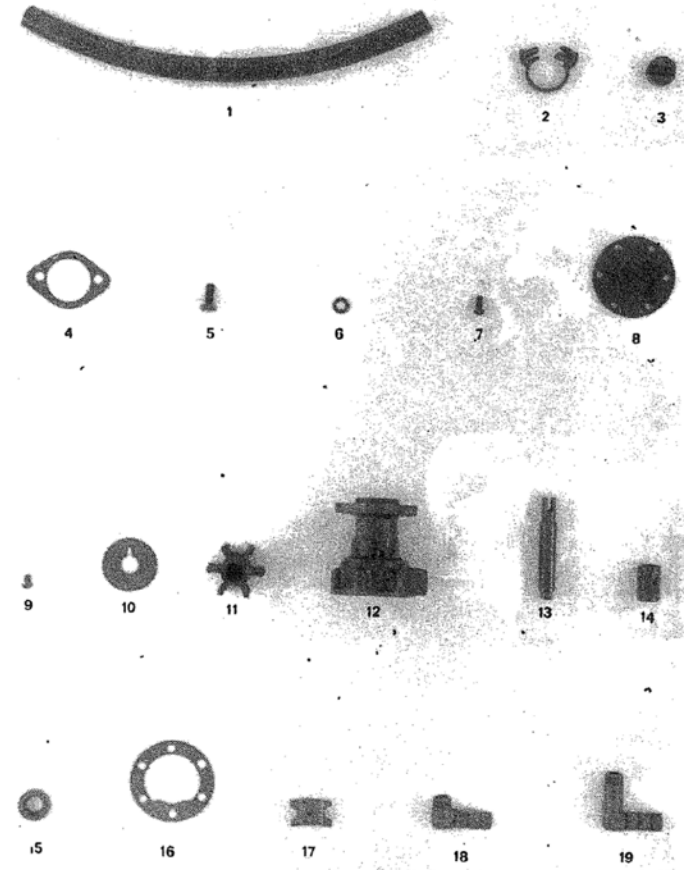


D_MI09_3_2		Cooling System 1			
FIG.	REF.	QTY	DESCR.	FROM	UPTO
35	13711017	1	Pipe 28-38-80		
36	54082025	4	Clamp DIN 3017 25-40/12 W4		
37	13711026	1	Elbow,water pump inlet [NP]		
38	12811056	2	Elbow,water outlet [NP]		





D_MI09_3_3		Cooling System 2			
FIG.	REF.	QTY	DESCR.	FROM	UPTO
1	13711028	1	Pipe 12-21-470		
2	(*)	1	Not available [NP]		
3	12111026	1	Drive,water pump		
4	32111023	1	Gasket		
5	51102156	2	Bolt DIN 933 M6-16 8.8		
6	57000353	2	Washer 6,2-11-1,5		
7	55307104	6	Bolt DIN 86 W3/16-10		
8	32111002	1	Cover Pump		
9	55307102	1	Bolt DIN 86 W3/16-7		
10	32111026	1	DISCK Seal HOldING		
11	32111008	1	1/4" Impeller		
12	32111001	1	Body Pump		
13	32111010	1	Shaft Pump		
14	31211016	1	SELFOil D. 12X16X25		
15	32111020	2	Seal Shaft 12-22-7		
16	32111003	1	Gasket,cover		
17	32111005	1	Cam		
18	12111081	1	Hose Connection 1/4"	26/06/2017	
18	12111078	1	Elbow,water inlet [NP]		25/06/2017
19	12111082	1	Water Outlet Elbow		
NS	32111000	1	1/4" Water Pump "J" Set [NS]		

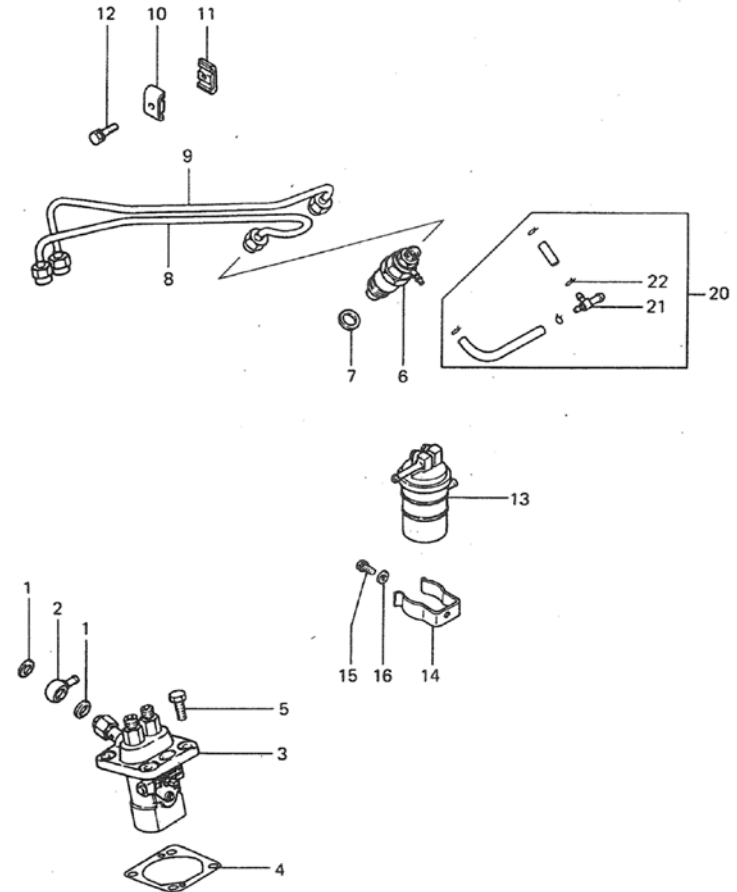


[NP] Not provided
 [NS] Not shown





D_MI09_4_1		Fuel Pipe			
FIG.	REF.	QTY	DESCR.	FROM	UPTO
1	13124001	2	Washer		
2	13124002	1	COLLAR,union		
3	13725001	1	Pump Assy,Fuel Injection		
4A	13124003	0	Shim Adjusting T=0,2mm [VAR]		
4B	13124004	0	Shim Adjusting T=0,3mm [VAR]		
4C	13124005	0	Shim Adjusting T=0,4mm [VAR]		
4D	13124006	0	Shim Adjusting T=0,5mm [VAR]		
4E	13124007	0	Shim Adjusting T=0,6mm [VAR]		
4F	13124008	0	Shim Adjusting T=0,7mm [VAR]		
4G	13124009	0	Shim Adjusting T=0,8mm [VAR]		
4H	13124010	0	Shim Adjusting T=0,9mm [VAR]		
4I	13124011	0	Shim Adjusting T=1,0mm [VAR]		
5	(*)	1	Not available [NP]		
6	13726001	2	Nozzle		
7	13124013	2	Gasket Nozzle HOL		
8	13724015	1	Pipe Assy Fuel N1		
9	13724016	1	Pipe Assy Fuel 02		
10	13124018	1	Clamp (A)		
11	13124017	1	Clamp (B)		
12	13224024	1	Bolt		
13	13124020	1	Filter Assy Fuel		
14	13124021	1	Clamp Filter		
15	13123005	1	Bolt DIN 933 M6-12 8.8 [NP]		
16	13124023	1	Washer DIN 125-6		
20	13724025	1	Return LINE		
21	13724026	1	JOINT		
22	13724027	4	Clamp [NP]		

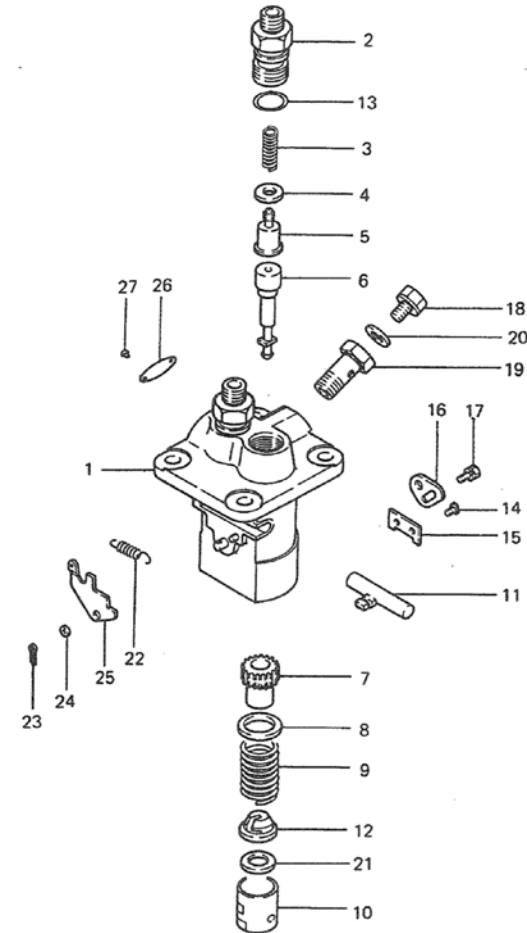


[NP] Not provided

[VAR] Variable according to repair



D_MI09_4_2		Fuel Injection Pump			
FIG.	REF.	QTY	DESCR.	FROM	UPTO
1	13125005	1	Housing Assy		
1-27	13725001	1	Pump Assy,Fuel Injection		
2	13725004	2	Holder DELIVERY V		
3	13125006	2	Spring DELIVERY V		
4	13125007	2	Gasket DELIVERY V		
5	13125008	2	Valve SUB Assy DE		
6	13725009	2	Element SUB A		
7	13125010	2	SLEEVE		
8	13125011	2	Seat Spring Upper		
9	13125012	2	Spring Plunger		
10	13125021	2	Tappet SUB Assy		
11	(*)	1	Not available [NP]		
12	13125013	2	Seat Spring LOWER		
13	13125033	2	O-Ring D. 15X2,5		
14	13125022	2	Pin Tappet Guide		
15	13125023	1	Plate		
16	13125030	1	Plate Assy Pressure		
17	13125028	1	Bolt Washer ASSEM		
18	13125026	1	Screw Air BRETATH		
19	13725027	1	Screw HOLLOW		
20	13125025	1	Washer		
21A	13125014	0	Shim Adjusting T=0,60 [VAR]		
21B	13125015	0	Shim Adjusting T=0,2 [VAR]		
21C	13125016	0	Shim Adjusting T=0,3 [VAR]		
21D	13125017	0	Shim Adjusting T=0,4 [VAR]		
21E	13125018	0	Shim Adjusting T=0,5 [VAR]		
21F	13125019	0	Shim Adjusting T=0,25 [VAR]		
21G	13125020	0	Shim Adjusting T=0,35 [VAR]		
21H	13725021	0	Shim Adjusting T=0,45MM. [VAR]		
21I	13725022	0	Shim Adjusting T=0,55MM. [VAR]		
21J	13725023	0	Shim Adjusting T=0,65MM. [VAR]		
22	13525031	1	Spring Return		
23	13125032	1	Pin SPLIT		
24A	13125034	0	Washer Plate T=0,1mm [VAR]		
24B	13125035	0	Washer Plate T=0,2mm [VAR]		

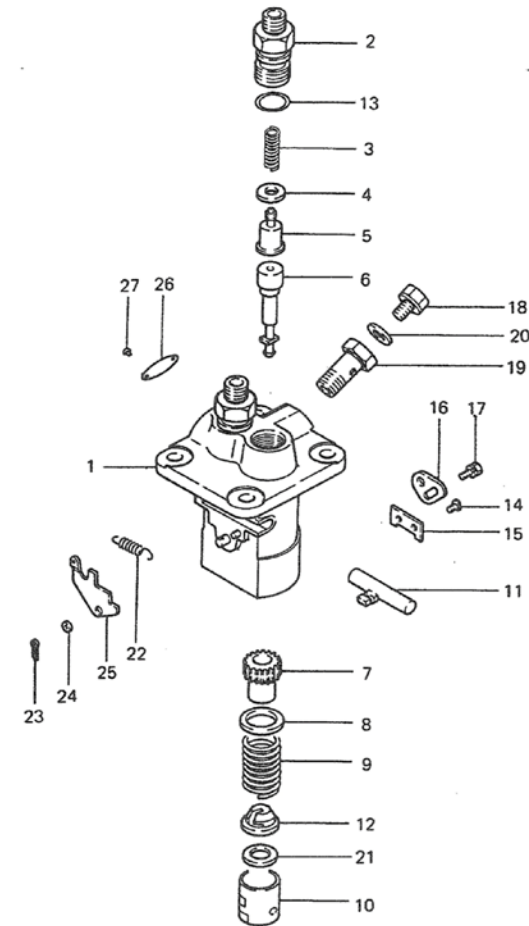


[NP] Not provided

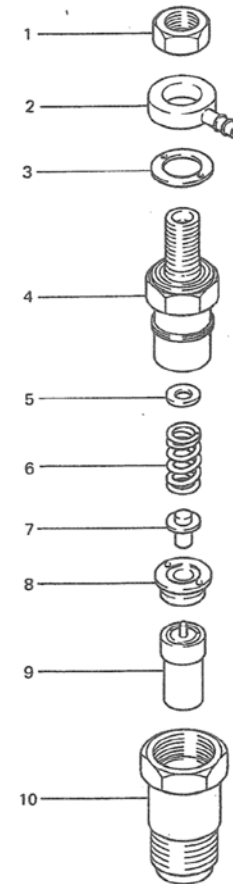
[VAR] Variable according to repair



D_MI09_4_2		Fuel Injection Pump				
FIG.	REF.	QTY	DESCR.	FROM	UPTO	
24C	13125036	0	Washer Plate T=0,25mm [VAR]			
24D	13125037	0	Washer Plate T=0,5mm [VAR]			
25A	13725043	0	Stopper [VAR]			
25B	13125038	0	Stopper [VAR]			
25C	13125039	0	Stopper [VAR]			
25D	13125040	0	Stopper [VAR]			
25E	13125041	0	Stopper [VAR]			
25F	13125042	0	Stopper [VAR]			
25G	13525045	0	Stopper [VAR]			
25H	13525046	0	Stopper [VAR]			
25I	13725038	0	Stopper [VAR]			
25J	13725039	0	Stopper [VAR]			
25K	13725040	0	Stopper [VAR]			
25L	13725041	0	Stopper [VAR]			
25M	13725044	0	Stopper [VAR]			
25N	13725045	0	Stopper [VAR]			
25O	13725046	0	Stopper [VAR]			
26	13725002	1	Plate,name [NP]			
27	13125003	2	RIVET			



D_MI09_4_3		Nozzle				
FIG.	REF.	QTY	DESCR.	FROM	UPTO	
1	13726009	2	HEXAGON Nut			
1-10	13726001	2	Nozzle			
2	13726005	2	Ring SUB Assy			
3	13726008	2	Washer			
4	13726002	2	Body			
5A	13726010	0	Washer 1,00 [VAR]			
5B	13726011	0	Washer 1,05 [VAR]			
5C	13726012	0	Washer 1,10 [VAR]			
5D	13726013	0	Washer 1,15 [VAR]			
5E	13726014	0	Washer 1,20 [VAR]			
5F	13726015	0	Washer 1,25 [VAR]			
5G	13726016	0	Washer 1,30 [VAR]			
5H	13726017	0	Washer 1,35 [VAR]			
5I	13726018	0	Washer 1,40 [VAR]			
5J	13726019	0	Washer 1,45 [VAR]			
5K	13726020	0	Washer 1,50 [VAR]			
5L	13726021	0	Washer 1,55 [VAR]			
5M	13726022	0	Washer 1,60 [VAR]			
5N	13726023	0	Washer 1,65 [VAR]			
5O	13726024	0	Washer 1,70 [VAR]			
5P	13726025	0	Washer 1,75 [VAR]			
5Q	13726026	0	Washer 1,80 [VAR]			
5R	13726027	0	Washer 1,85 [VAR]			
5S	13726028	0	Washer 1,90 [VAR]			
5T	13726029	0	Washer 1,95 [VAR]			
6	13726004	2	Spring Pressure			
7	13126003	2	Pin			
8	13126007	2	PIECE DISTANCE			
9	13126018	2	Nozzle Assy			
10	13726006	2	Nut RETAINING			

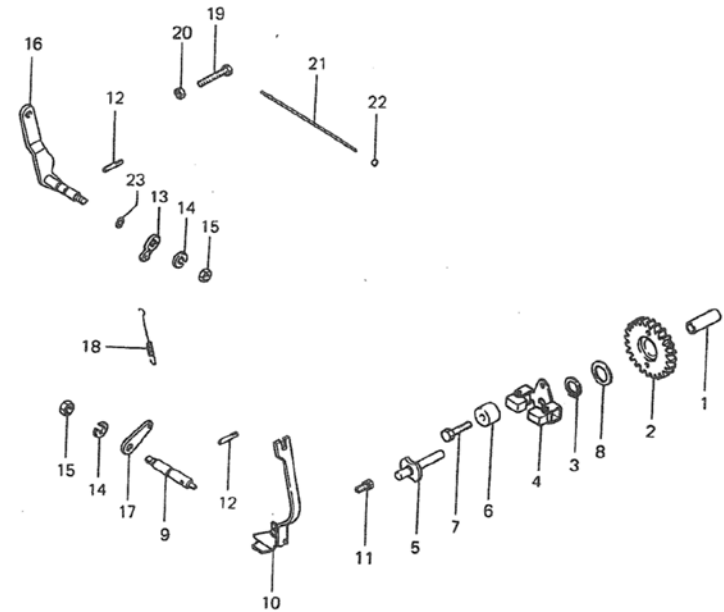


[VAR] Variable according to repair





D_MI09_4_4		Governor Parts				
FIG.	REF.	QTY	DESCR.	FROM	UPTO	
1	13723004	1	SLEEVE			
2	13723001	1	Gear Assy GOverNO			
3	13723002	1	CIRClip DIN 471 E-18			
4	13723003	1	WEIGHT Assy GOver			
5	13723006	1	Shaft Assy			
6	13723005	2	Stopper			
7	13723008	1	Bolt DIN 933 M6-25 8.8 [NP]			
8	13723011	1	Washer			
9	13123016	1	Spring GOverNOR			
10	13723007	1	Lever Fork			
11	13123008	1	Bolt DIN 933 M6-16 8.8			
12	13123009	2	Pin GROOVED			
13	13123015	1	Lever GOverNOR SP			
14	13120049	2	Washer GROWER DIN 127-8			
15	13123013	2	Nut DIN 934 M8 8.8			
16	13723014	1	Lever Assy SPEED			
17	13723015	1	Lever			
18	13723016	1	Spring GOverNOR			
19	13123017	1	Bolt High Speed			
20	13123018	1	Spring,return			
21	17623020.4	1	Metal,Fuel	02/08/2017		
21	13123020	1	Metal,Fuel [NP]		02/08/2017	
22	13123019	1	Metal Sealing			
23	13123021	1	O-Ring D. 7X1.8			

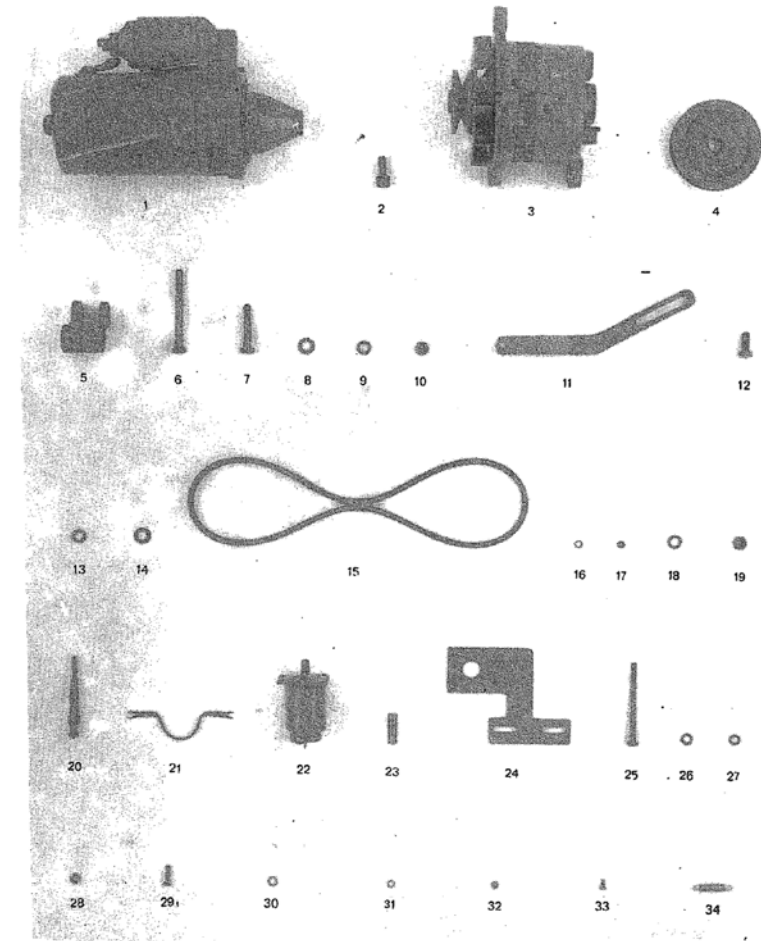


[NP] Not provided





D_MI09_5_1		Electrical System 1				
FIG.	REF.	QTY	DESCR.	FROM	UPTO	
1	13727001	1	Starter Assy 12 V			
2	13127012	2	Bolt DIN 933 M8-25 8.8			
3	13627010	1	Alternator 12V/35A			
4	13717010	1	Pulley,alternator			
5	13717011	1	Bracket, Alternator			
6	13727008	1	Bolt ALT.			
7	52101262	1	Bolt DIN 931 M8-45 8.8			
8	51030008	2	Washer DIN 125-8			
9	53033008	2	Washer GROWER DIN 127-8			
10	52120008	2	Nut DIN 934 M8 8.8			
11	13717012	1	Brace,alternator			
12	52102257	1	Bolt DIN 933 M8-20 8.8			
13	53033008	1	Washer GROWER DIN 127-8			
14	51030008	1	Washer DIN 125-8			
15	13717013	1	Belt Type Z 31 790			
16	53033008	1	Washer GROWER DIN 127-8			
17	51120005	1	Nut DIN 934 M5 8.8			
18	53033008	1	Washer GROWER DIN 127-8			
19	52120008	1	Nut DIN 934 M8 8.8			
20	13727017	2	Plug Glow (Y-114T			
21	13727018	1	Wire Glow Plug LE			
22	13117001	1	Stop Solenoid			
23	13717002	1	Stud,selenoid			
24	13717003	1	Bracket,selenoid [NP]			
25	52101169	2	Bolt DIN 931 M6-80 8.8			
26	51030006	2	Washer DIN 125-6			
27	53033006	2	Washer GROWER DIN 127-6			
28	52120006	2	Nut DIN 934 M6 8.8			
29	51102106	4	Bolt DIN 933 M5-15 8.8			
30	51030005	4	Washer DIN 125-5			
31	53033005	4	Washer GROWER DIN 127-5			
32	51120005	4	Nut DIN 934 M5 8.8			
33	51108052	1	Bolt DIN 84 M4-6 5.6 [NP]			
34	14619040	1	Spring,stop			

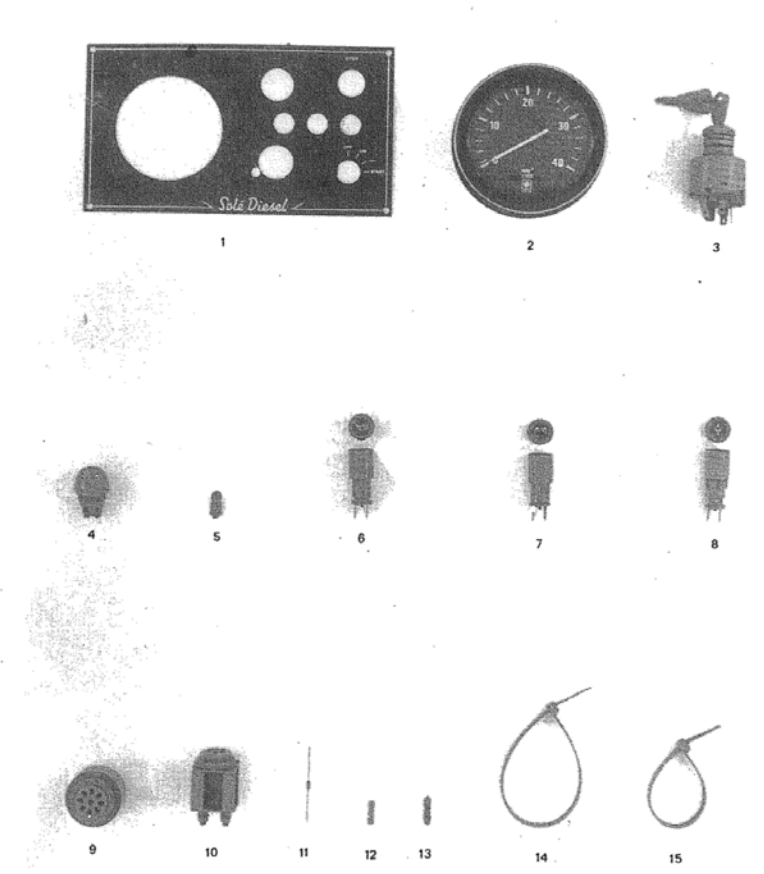


[NP] Not provided





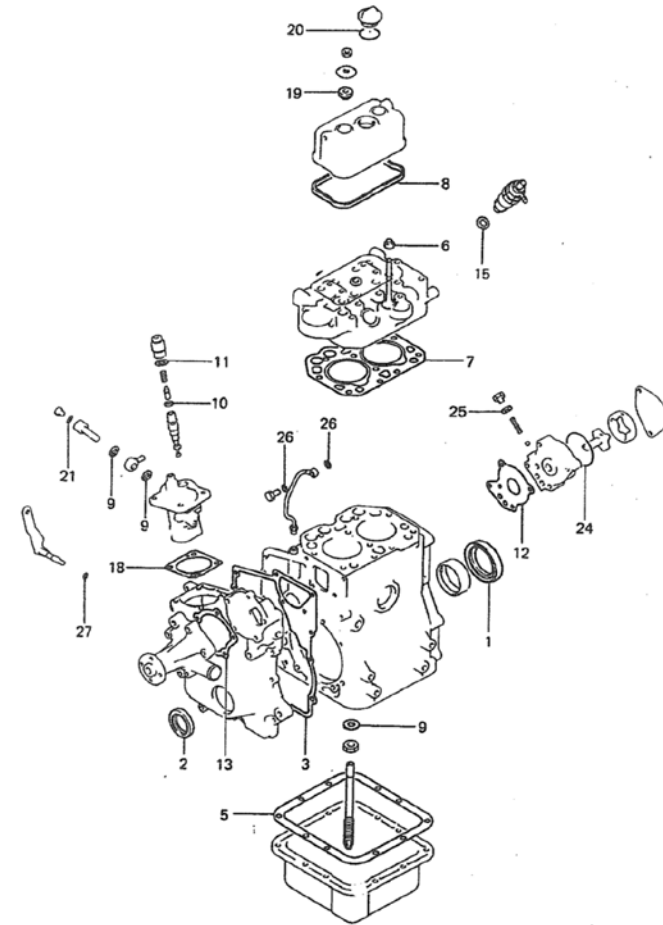
D_MI09_5_2 Electrical System 2						
FIG.	REF.	QTY	DESCR.	FROM	UPTO	
1	60931001	1	Panel			
2	60934010	1	TACHOMETER VDO MINI-34			
3	60900031	1	Key-Locking Switch			
4	60900040	1	Pushbutton Stop [NP]		13/07/2017	
4	60900049	1	Pushbutton Stop [NP]	13/07/2017		
5	60900045	3	Bulb 12V 3W Connector B			
6	60900050	1	LAMP, oil press.			
7	60900051	1	LAMP, charge			
8	60900052	1	LAMP, water temp.			
9	60900060	1	Alarm, SWITCH			
10	60937095	1	LAMP Glow (2-CYL.			
11	60900110	1	DIODE 3 A.			
12	60937200	1	Wiring,electrical MINI 10and14			
13	60900116	1	Fuse 40 A.			
14	58088272	1	Pastic Cable Zip Tie [NP]			
15	58088271	2	Pastic Cable Zip Tie [NP]			
16	13627068	1	CONDENSER			
NS	60937000	1	Panel MINI-10 [NS]			



[NP] Not provided
 [NS] Not shown



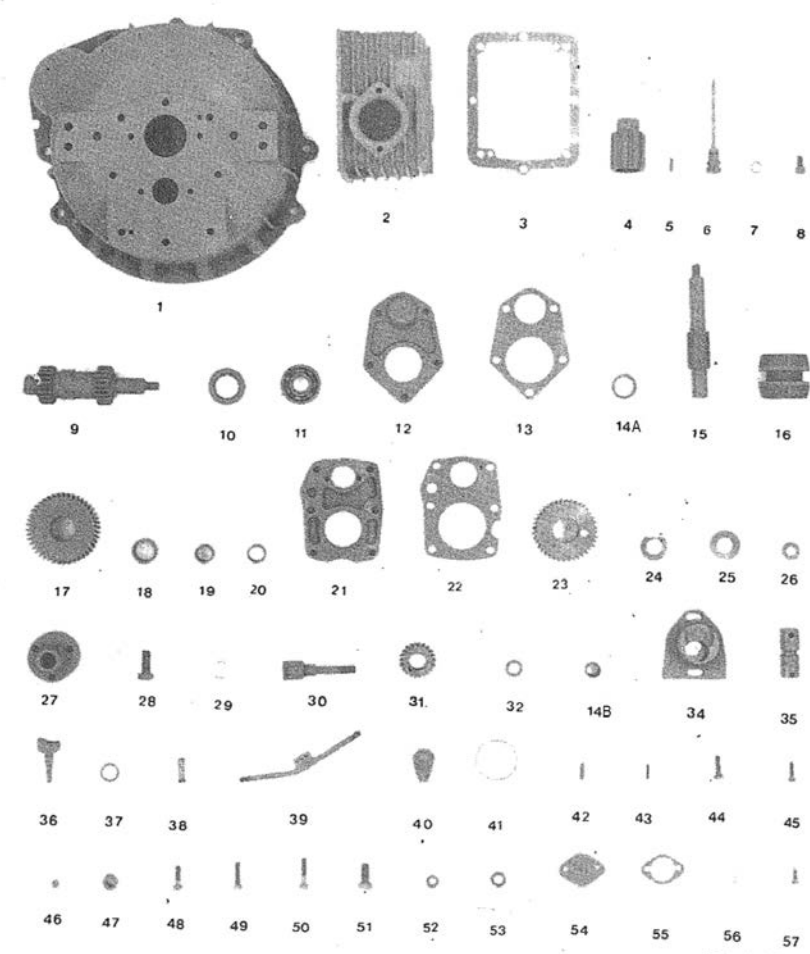
D_MI09_6_1		Gasket Kit				
FIG.	REF.	QTY	DESCR.	FROM	UPTO	
1	13720019	1	Seal Oil			
1-27	13720101	1	Kit Gasket			
2	13220039	1	Seal Oil			
3	13720040	1	Gasket GearCase			
5	13720033	1	Gasket OilPAN			
6	13222054	4	Seal Valve Stem			
7	13721004	1	Gasket Cylinder H			
8	13721010	1	Gasket Rocker COV			
9	13124001	3	Washer			
10	13125007	2	Gasket DELIVERY V			
11	13125033	2	O-Ring D. 15X2,5			
12	13724041	1	Gasket Oil Pump B			
13	13721022	1	Gasket Water Pump			
15	13124013	2	Gasket Nozzle HOL			
16	13721035	2	Gasket Exhaust MA			
18A	13124003	1	Shim Adjusting T=0,2mm			
18B	13124004	1	Shim Adjusting T=0,3mm			
18C	13124005	1	Shim Adjusting T=0,4mm			
18D	13124009	1	Shim Adjusting T=0,8mm			
19	13221016	2	Seal			
20	13721007	1	O-Ring D. 30X3			
21	13125025	1	Washer			
23	(*)	3	Not available [NP]			
24	13724049	1	O-Ring D. 60X2			
25	13124046	1	Gasket			
27	13123021	1	O-Ring D. 7X1.8			



[NP] Not provided



D_22313300		GearBox RONIM III R.2,00			
FIG.	REF.	QTY	DESCR.	FROM	UPTO
1	22310021	1	Housing,rear MINI-10 [NP]		
1-53	22313000	1	GearBox Assy RONIM 3 R2:1 M-3		
2	22313002	1	Housing,rear [NP]		
3	22310003	1	Gasket		
4	22310035	1	Flange, input [NP]		
5	22210007	2	Pin		
6	22310008	1	Plug,oil level		
7	25210010	1	O-Ring D. 10,77X2,62		
8	22310011	1	Plug,oil drain		
9	22315101	0	Shaft,input [NP] [VAR]		
9	22313101	1	Shaft,input 2:1 [NP]		
10	22210103	2	Seal,oil BA 30-47-7		
11	22210104	2	Ball Bearing 6304-NR		
12	22310102	1	Cover,front [NP]		
13	22310105	1	Gasket		
14	(*)	1	Not available [NP]		
15	22310201	1	Shaft,output [NP]		
16	22210202	1	CONE,clutch [NP]		
17	22313203	1	Gear,front [NP]		
18	22210204	2	Bearing,needle		
19	22210205	2	Ring		
20	22310207	1	Cover,rear [NP]		31/08/2017
21	22310208	1	Cover,rear		
22	22310209	1	Gasket,rear cover		
23	22310210	1	Gear,rear [NP]		
24	22310217	2	Spacer,Gear		
25	22310218	2	Spacer,bearing		
26	22210219	4	Washer		
27	22315224	0	Flange,output [NP] [VAR]		
28	25210222	1	Bolt,blockage		
29	22210225	2	O-Ring D. 20X23X1,5		
30	22310301	1	Intermediate Shaft		
31	22310302	1	Gear,INTERMEDIATE [NP]		
32	22310304	1	Washer,friction [NP]		
34	22310401	1	Control Assy		

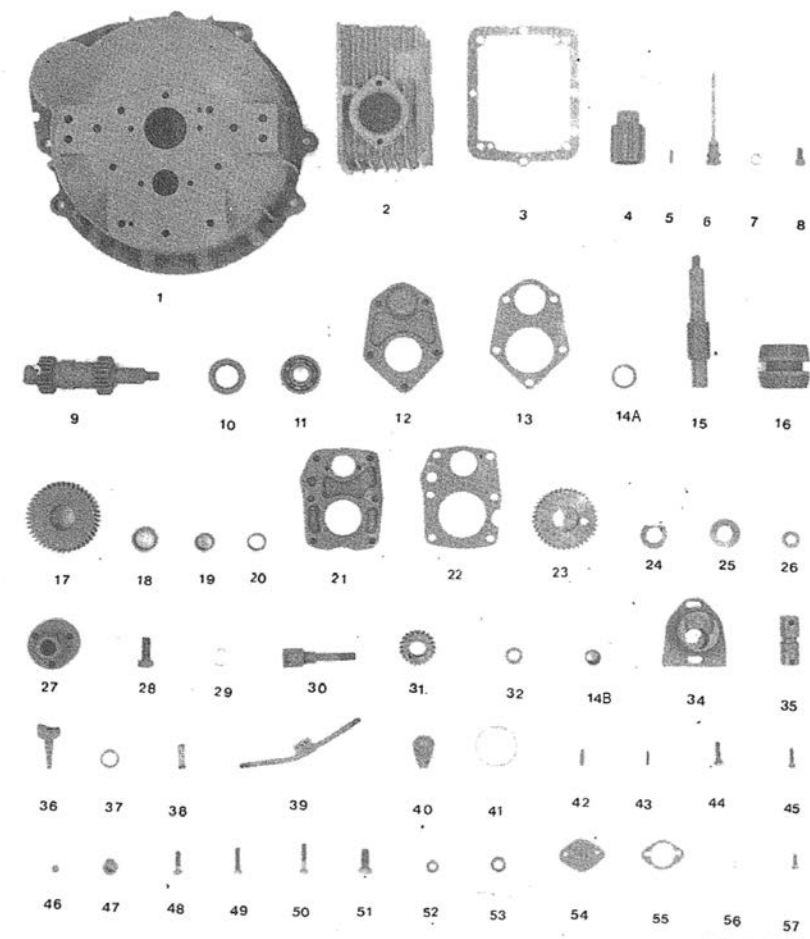


[NP] Not provided

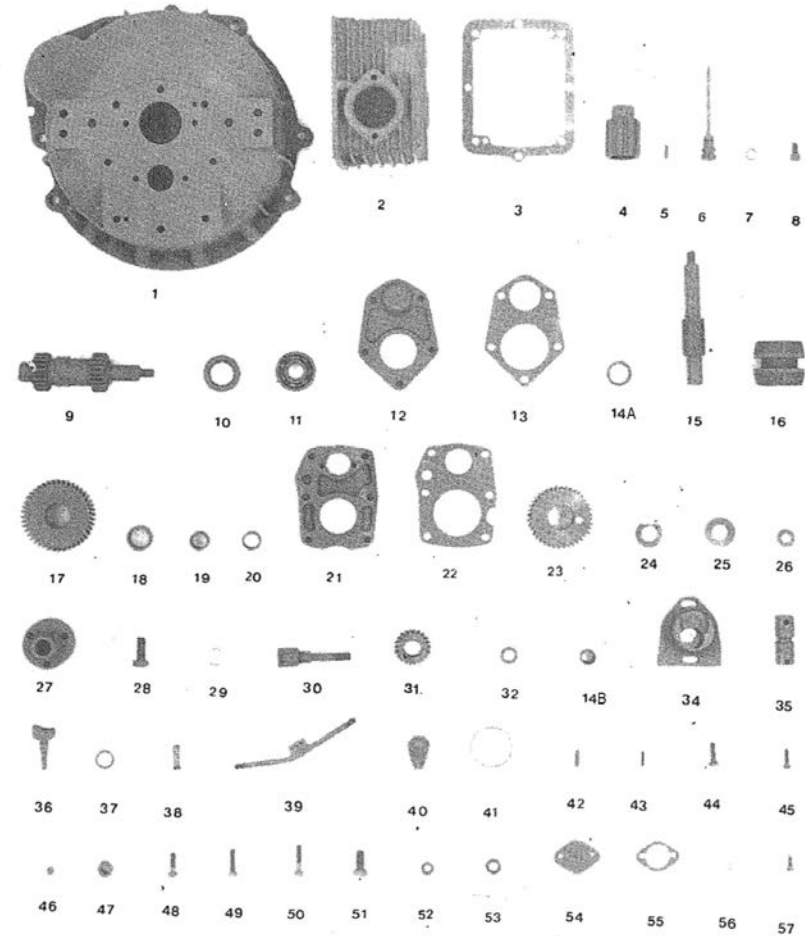
[VAR] Variable according to repair



D_22313300		GearBox RONIM III R.2,00		FROM	UPTO
FIG.	REF.	QTY	DESCR.		
35	22310402	1	EXCENTRICA,control		
36	22210403	1	ARM,control		
37	25210408	1	O-Ring D. 18,3X25,5X3,6		
38	25210411	1	Spring		
39	22210413	1	Lever,control		
40	22110416	1	Handle		
41	22310417	1	O-Ring D. 49X2,5		
42	25210418	1	Eccentric Command		
43	25210419	1	Spring,exterior		
44	51102258	2	Bolt DIN 933 M8-25 8.8		
45	52103157	2	Bolt DIN 912 M6-20 8.8		
46	52120006	2	Nut DIN 934 M6 8.8		
47	51123012	3	Nut DIN 985 M12 5.6		
48	52101258	11	Bolt DIN 931 M8-25 8.8		
49	52101259	2	Bolt DIN 931 M8-30 8.8		
50	52101260	5	Bolt DIN 931 M8-35 8.8		
51	53102358	1	Bolt DIN 933 M12-25 12.9 [NP]		
52	51030008	20	Washer DIN 125-8		
53	56000116	1	Washer 12,5-20-2		



D_22315300		GearBox RONIM III R.3,00			
FIG.	REF.	QTY	DESCR.	FROM	UPTO
1	22315021	1	Housing,rear MINI-10/14		
1-53	22315000	1	GearBox Assy RONIM 3 M-3 3:1		
2	22315002	1	Housing, rear Rat.3:1 [NP]		
3	22310003	1	Gasket		
4	22310035	1	Flange, input [NP]		
5	22210007	2	Pin		
6	22310008	1	Plug,oil level		
7	25210010	1	O-Ring D. 10,77X2,62		
8	22310011	1	Plug,oil drain		
9	22315101	1	Shaft,input [NP]		
10	22410223	1	Seal,oil 35-47-7		
11	22410224	1	Ball Bearing 6305-NR		
12	22310102	1	Cover,front [NP]		
13	22310105	1	Gasket		
14	(*)	1	Not available [NP]		
15	22415201	1	Shaft,output 3:1 [NP]		
16	22210202	1	CONE,clutch [NP]		
17	22313203	0	Gear,front [NP] [VAR]		
18	22410204	1	Bearing,needle		
18	22210204	1	Bearing,needle		
19	22410205	1	Ring,bearing		
19	22210205	1	Ring		
20	22310207	1	Cover,rear [NP]		31/08/2017
21	22315208	1	Cover REAR RED.3:1 [NP]		
22	22310209	1	Gasket,rear cover		
23	22415210	1	Gear,rear 3:1 [NP]		
24	22310217	1	Spacer,Gear		
24	22410217	1	Spacer,Gear		
25	22410218	1	Spacer,rear bearing		
25	22310218	1	Spacer,bearing		
26	22210219	4	Washer		
27	22315224	1	Flange,output [NP]		
28	25210222	1	Bolt,blockage		
29	22210225	2	O-Ring D. 20X23X1,5		
30	22310301	1	Intermediate Shaft		



[NP] Not provided

[VAR] Variable according to repair



D_22315300		GearBox RONIM III R.3,00			
FIG.	REF.	QTY	DESCR.	FROM	UPTO
31	22415302	1	Gear,intermediary 3:1 [NP]		
32	22310304	1	Washer,friction [NP]		
34	22310401	1	Control Assy		
35	22310402	1	EXCENTRICA,control		
36	22210403	1	ARM,control		
37	25210408	1	O-Ring D. 18,3X25,5X3,6		
38	25210411	1	Spring		
39	22210413	1	Lever,control		
40	22110416	1	Handle		
41	22310417	1	O-Ring D. 49X2,5		
42	25210418	1	Eccentric Command		
43	25210419	1	Spring,exterior		
44	51102258	2	Bolt DIN 933 M8-25 8.8		
45	52103157	2	Bolt DIN 912 M6-20 8.8		
46	52120006	2	Nut DIN 934 M6 8.8		
47	51123012	3	Nut DIN 985 M12 5.6		
48	52101258	11	Bolt DIN 931 M8-25 8.8		
49	52101259	2	Bolt DIN 931 M8-30 8.8		
50	52101260	5	Bolt DIN 931 M8-35 8.8		
51	53102358	1	Bolt DIN 933 M12-25 12.9 [NP]		
52	51030008	20	Washer DIN 125-8		
53	56000116	1	Washer 12,5-20-2		

