



Engine Mini-3
VERSION 2017-8
SPARE PARTS MANUAL



PARTS LIST CATALOGUE

NORMS TO PLACE AN ORDER:

For fast and more efficient service, please specify the following information on spare parts orders that must be preferably done by FAX or e-mail as specified below:

- 1- Engine model: As shown in identification plate
- 2- Engine serial number: As shown in identification plate and stamped on crankcase
- 3- Item description + part number + quantity required

Spare parts requests must be addressed to:

recambios@solediesel.com

Tel.: +34 93 775 44 05

Fax: +34 93 775 30 13

The components shown in the catalog have:

- Figure: Number by which they are represented in scheme
 - Description: Trade name of the component
 - Quantity: Total number of parts used in the assembly of the part represented (may differ from the total minimum quantities)
- Hoses, indicates the total length in meters

The diagrams shown in this catalog of spare parts, have only the purpose to identify the piece in question, its representation is not meaningful and may differ from the actual piece.

In case of doubt, contact Solé Diesel, or your authorized dealer.

The parts i / or references in this catalog are subject to change without notice.

[SOLE, S.A.](#)

C-243b, Km, 2 - P.O. BOX 15
08760 Martorell (Barcelona) Spain

Download the latest version of this manual [HERE](#)

Contents



Engine Body

Block
Mounts - Remote control
Cylinder - Cylinder Head - Compression R
Crankshaft - Connecting Rod - Timing and
Regulator - Fuel Control - Injector Rock

Cooling System

Cooling System

Fuel System

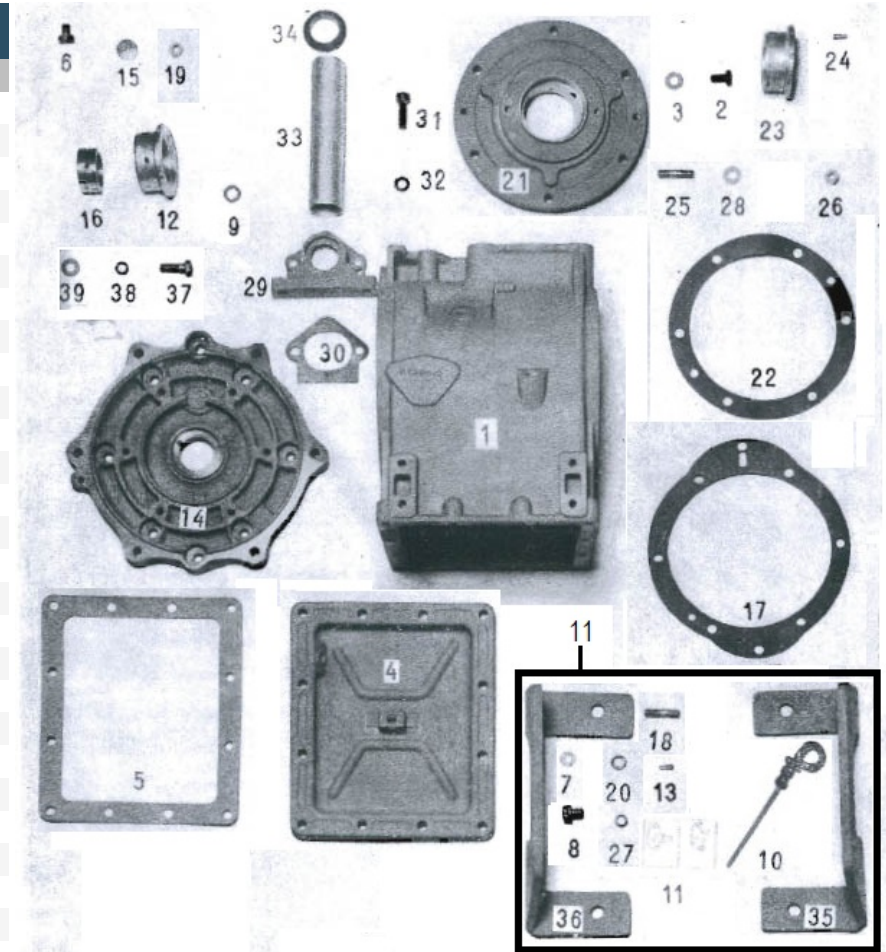
Fuel System - Lubricating System
Kit Pump
Fuel Injection Pump
Injector Body & Nozzle

Electrical System

Electrical System



D_LO02_1_1		Block				
FIG.	REF.	QTY	DESCR.	FROM	UPTO	
1	12120001	1	Block Assy			
2	12120002	1	Screw, Racord			
4	12120004	1	PAN Assy,oil			
5	12120005	1	Gasket,oil pan			
6	52102256	12	Bolt DIN 933 M8-15 8.8			
7	(*)	1	Not available [NP]			
9	56000015	1	Washer 12-19-2			
12	12120027	1	Bearing,crankshaft 1 mm			
12	12120012	1	Bearing,crankshoft Std D.40			
14	12120014	1	MOUSING [NP]			
15	12120015	1	Disk,housing			
16	12120016	1	Bearing, Crankshaft			
17	12120017	1	Gasket,housing			
19	12120008	8	Plug,oil drain			
21	12120026	1	CRANKSHALT BEAR.MOUNT(COM)1 mm [NP]			
21	12120020	1	Cap Assy,bearing			
22	12120023	0	Gasket,bearing cap 0,1 mm [VAR]			
22	12120022	0	Gasket,bearing cap 0,5 mm [VAR]			
23	12120025	1	Bearing,thrust 1 mm D.40			
23	12120024	1	Bearing,thrust D.40			
24	12120013	1	Pin,crankshoft bearing			
25	12120018	6	Stud			
26	52120008	6	Nut DIN 934 M8 8.8			
28	51030008	6	Washer DIN 125-8			
29	12120029	1	Guide,lower			
30	12120030	1	Gasket,guide			
31	52103258	2	Bolt DIN 912 M8-25 8.8			
32	53033008	2	Washer GROWER DIN 127-8			
33	12120032	1	Tube,push rod [NP]			
34	12120033	2	Seat,Tube			
37	52102308	8	Bolt DIN 933 M10-25 8.8			
38	53033010	8	Washer GROWER DIN 127-10			
39	51030010	8	Washer DIN 125-10			
NS	12210100	1	Gasket Kit MINI-2 Y 3 [NS]			
NS	52315303	1	Bolt DIN 551 W7/16-8 8.8 [NP] [NS]			

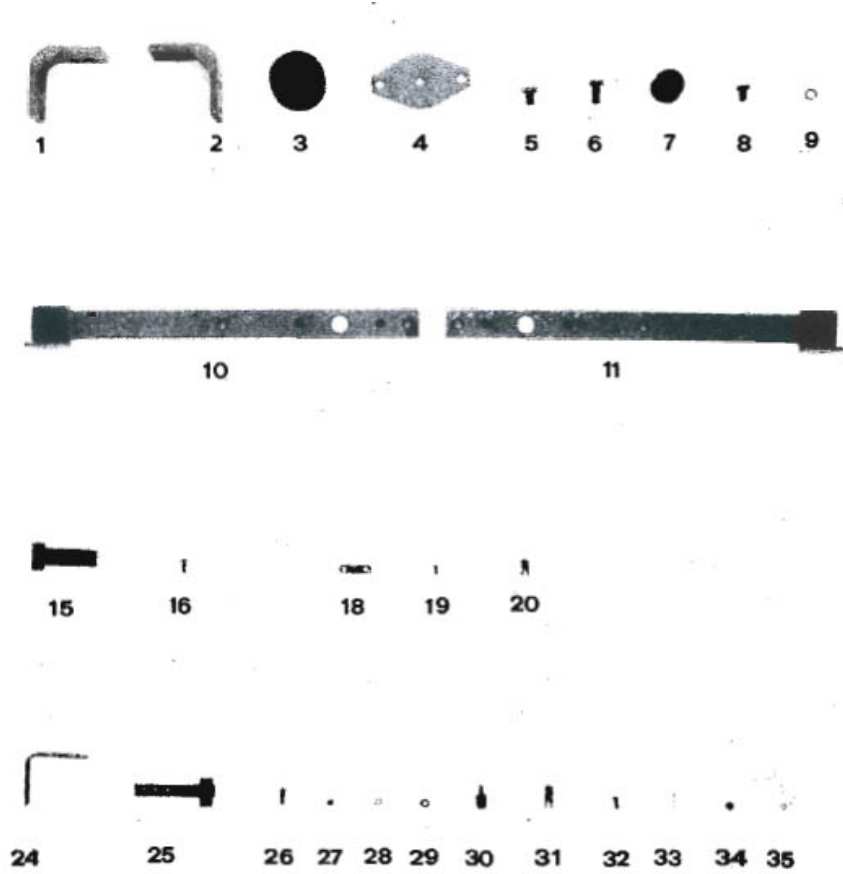


[NP] Not provided
 [NS] Not shown
 [VAR] Variable according to repair





D_LO01_1_2		Mounts - Remote control			
FIG.	REF.	QTY	DESCR.	FROM	UPTO
1	12110034	1	Bracket,engine		
2	12110035	1	Bracket,engine		
3	12110046	2	Flexible MOUNT,front		
4	12110047	2	Plate [NP]		
5	12110048	6	Screw		
6	52102358	2	Bolt DIN 933 M12-25 8.8		
7	12110050	2	Flexible MOUNT,rear		
8	52102306	4	Bolt DIN 933 M10-15 8.8		
9	53033010	4	Washer GROWER DIN 127-10		
10	12110154	1	Bracket,flex mount		
11	12110155	1	Bracket,flox mount		
15	12119111	1	BRACKET Assy,engine speed contr		
16	52102156	1	Bolt DIN 933 M6-16 8.8		
18	14719013	1	Clamp,cable		
19	55307104	2	Bolt DIN 86 W3/16-10		
20	14719026	1	SPLIT,piece reverser morse		
24	12119000	1	Assy Bracket,morse control		
24A	12119020	1	Bracket,Gear box control		
24B	12119021	1	SUPPORT Clamp		
25	(*)	1	Not available [NP]		
26	52102157	4	Bolt DIN 933 M6-20 8.8		
27	52120006	4	Nut DIN 934 M6 8.8		
28	51030006	4	Washer DIN 125-6		
29	53033006	4	Washer GROWER DIN 127-6		
30	14719025	1	Bracket,split piece		
31	14719028	1	SPLIT,piece		
32	14719027	1	Pin		
33	51051107	1	Pin DIN-94 1,6-16		
34	52114304	1	Bolt DIN 916 M10-10 UMBR		
35	51030005	2	Washer DIN 125-5		

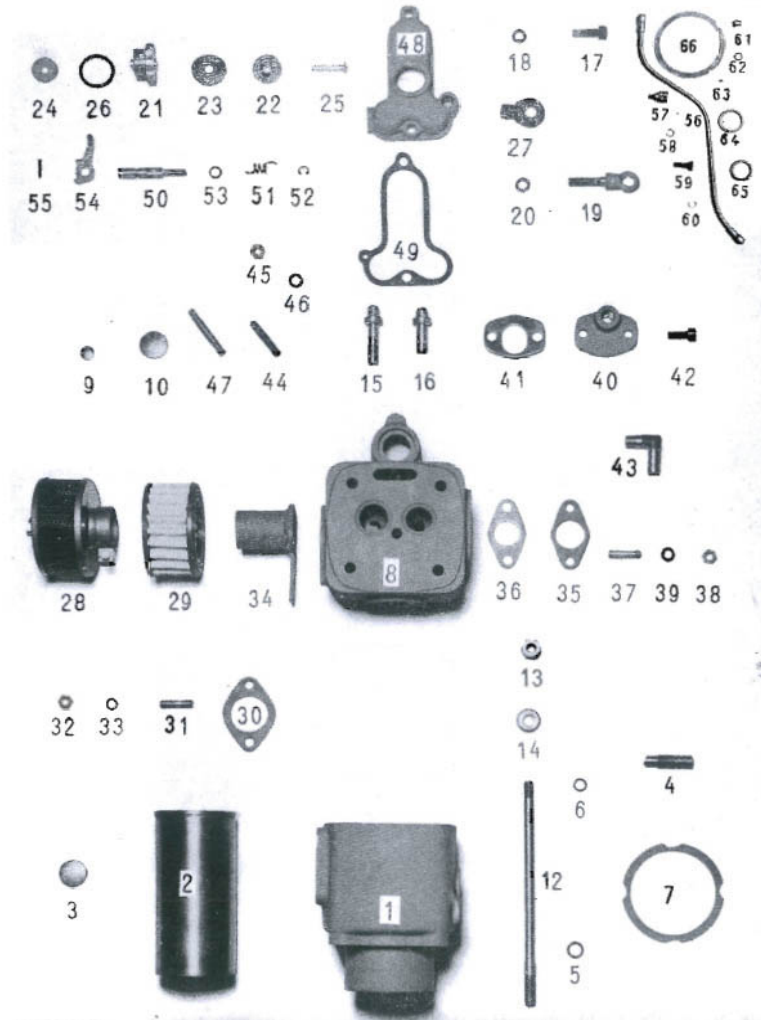


[NP] Not provided





D_LO03_1_3		Cylinder - Cylinder Head - Compression R			
FIG.	REF.	QTY	DESCR.	FROM	UPTO
1	12111002	1	Cylinder		
1-4	12311001	1	Cylinder MINI-2/3		
3	12111004	4	Cap,cylinder		
4	12111005	1	Pipe,water inlet		
5	12111006	4	O-Ring		
6	12111007	4	O-Ring		
7	12111008	0	Gasket,cylinder 0,1mm [VAR]		
7	12111009	0	Gasket,cylinder 0,3mm [VAR]		
8	12211010	1	Cylinder Head Assy MINI-2 Y 3		
9	12121012	1	Disk,cover rocker		
10	11111004	1	Cap Sealing		
12	12111015	4	Stud,cylinder head		
13	12111016	1	Nut		
13	12121016	3	Nut		
14	12121017	4	Washer 10,5-24-5		
15	12111018	1	Guide,inlet valve		
16	12111019	1	Guide,exhaust valve		
17	52103258	1	Bolt DIN 912 M8-25 8.8		
19	12121020	1	MANGER,engine		
26	12121027	1	Ring,breather valve		
27	12121028	1	Plug		
28	17610012	1	Air Filter Assy without filter element	08/10/2007	
28	12111029	1	Air Filter Assy without filter element		08/10/2007
29	12111031	1	Air Filter Assy without filter element		08/10/2007
30	12111032	1	Gasket,inlet manifold		
31	12120018	2	Stud		
34	12111033	1	MANI FOLD,inlet		
35	12111034	1	Plate,exhaust manifold		
36	12111035	1	Gasket,exhaust manifold		
37	12111066	2	Stud		
38	52120008	2	Nut DIN 934 M8 8.8		
40	12111036	1	Plate,Water Outlet		
41	12111037	1	Gasket		
42	52103257	2	Bolt DIN 912 M8-20 8.8		
43	12111082	1	Water Outlet Elbow		



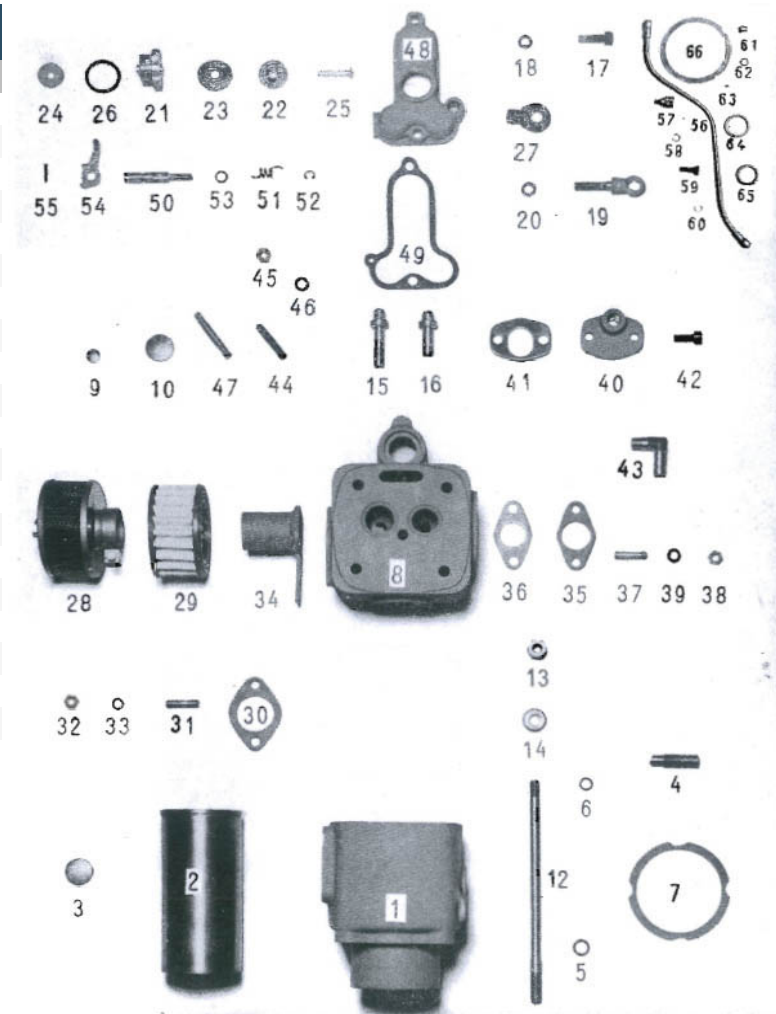
[NP] Not provided

[NS] Not shown

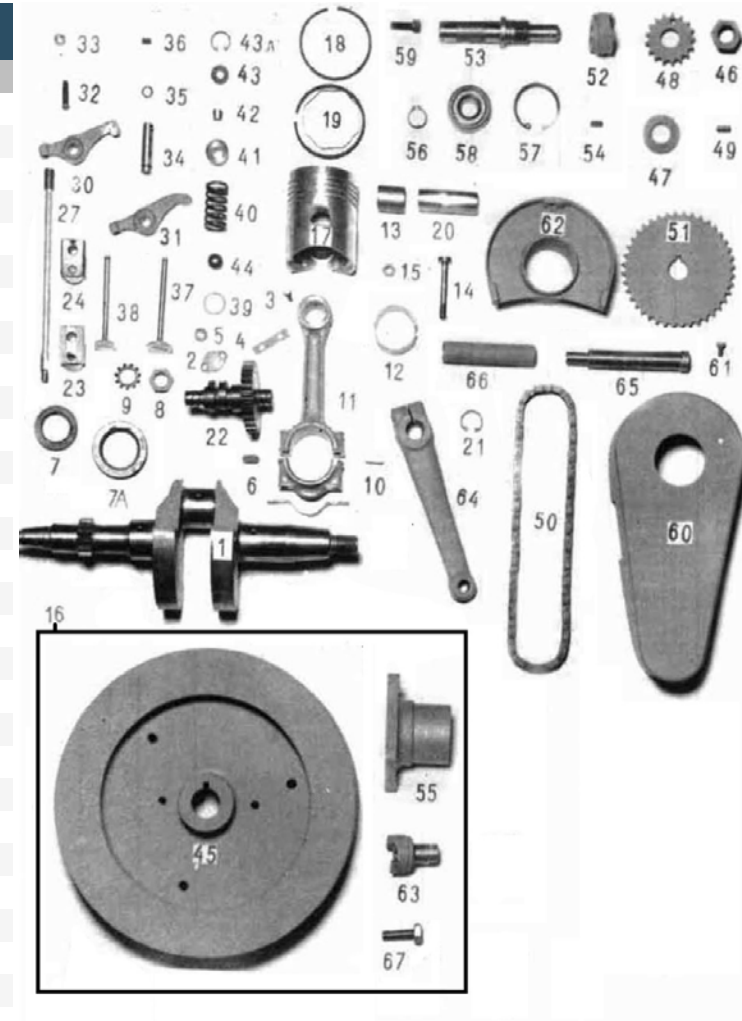
[VAR] Variable according to repair



D_LO03_1_3 Cylinder - Cylinder Head - Compression R						
FIG.	REF.	QTY	DESCR.	FROM	UPTO	
44	12121040	1	Stud, nozzle			
45	52120006	2	Nut DIN 934 M6 8.8			
46	53033008	2	Washer GROWER DIN 127-8			
47	12111041	1	Stud, nozzle			
48	12121043	1	Cover, rocker			
49	12121044	1	Gasket, rocker cover 0,5 mm			
50	12121047	1	Cover, rocker [NP]			
51	12111048	1	Spring, return			
53	12121050	1	O-Ring D. 6,07X1,78			
55	53052208	2	Pin DIN 1481 3-16			
56	12121053	1	Pipe, lubrication			
56	12211014	1	Gasket, cylinder head			
57	12111054	1	Pipe Coupling			
58	57000357	1	Washer 8,2-12-1,5			
59	12120002	1	Screw, Racord			
61	12111058	1	Cap			
62	12111059	1	O-Ring			
63	12111060	1	Pin			
64	12221061	1	Seat, inlet valve			
65	12221062	1	Seat, exhaust valve			
NS	12121021	1	BREATHER Valve Assy [NS]			



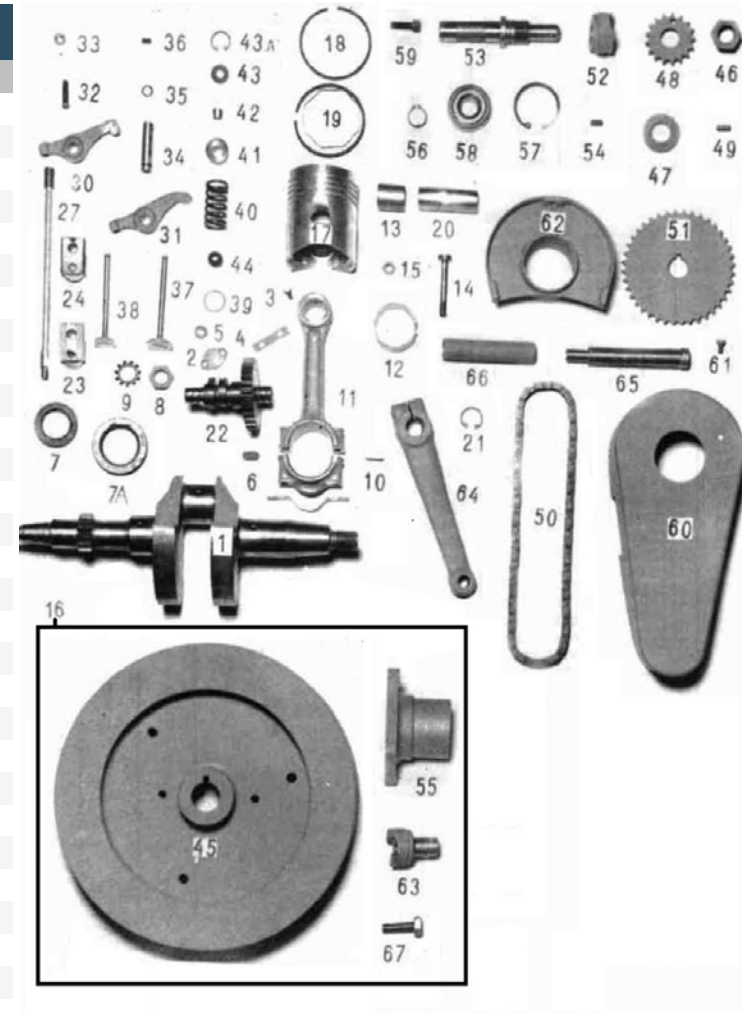
D_LO03_1_4 Crankshaft - Connecting Rod - Timing and					
FIG.	REF.	QTY	DESCR.	FROM	UPTO
1	12322000	1	CrankShaft Assy MINI-3		
2	12122002	2	Cover,crankShaft lubr.channel		
3	52102106	1	Bolt DIN 933 M5-15 8.8		
4	12122004	1	SAFETY STRap		
5	12122005	1	Disk,channel seal		
6	12122006	1	KEY,woodruff		
7	12122007	1	Seal,oil		
7A	12122008	1	Seal,oil		
8	12122009	1	Nut		
9	12122010	1	Washer DIN 6798-A 16 [NP]		
KIT	12122136	1	ARM Assy,rocker		
10	12122011	1	KEY,woodruff		
11	12122012	1	ROD Assy, connection		
12	12122079	2	Case,con rod. 0,25 mm		
12	12122080	2	Case,con rod 0,5 mm		
12	12122013	2	Bearing,con rod head		
13	12122014	1	Bearing,con rod		
14	12122015	2	Bolt,con rod		
15	12122016	2	Nut		
16	(*)	1	Not available [NP]		
17	12322082	1	Piston Assy 1 MM OS		
17	12322018	1	Piston Assy 85 mm		
18-19	12222023	1	Ring Set STD		
18-19	12222084	1	Ring Set 1 OS		
18-19	12222083	1	Ring Set 0,5 OS		
20	12122021	1	Pin,piston		
21	53041023	2	CIRClip DIN 472 I-23		
22	12122024	1	CamShaft		
23	12122025	1	Tappet,inlet		
24	12122026	1	Tappet,exhaust		
30	12122036	1	ARM,rocker exhaust		
30-36	12122135	1	Rocker ARM Assy		
31	12122037	1	ARM,rocker inlet		
31-33	12122137	1	ARM Assy,rocker inlet		
32	12122038	2	Screw,adjusting		



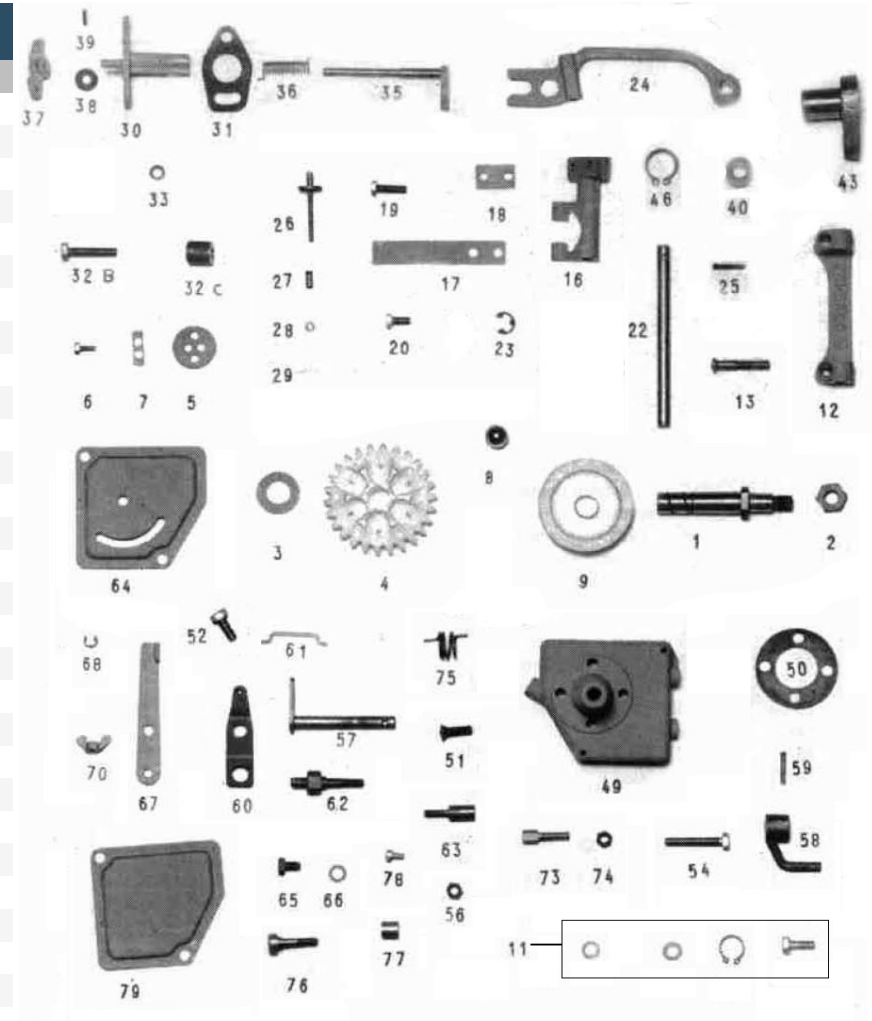
[NP] Not provided
 [NS] Not shown



D_LO03_1_4		Crankshaft - Connecting Rod - Timing and			
FIG.	REF.	QTY	DESCR.	FROM	UPTO
33	12122039	2	Nut,adjusting		
34	12122040	1	Shaft Rocker		
35	12122041	1	Ring		
36	52114153	1	Bolt DIN 916 M6-8 UMBRAC		
37	12222043	1	Intake Valve		
38	12222044	1	Exhaust Valve		
39	12122045	2	Retainer, valve spring		
40	12112046	2	Valve Spring		
41	12112047	2	Spring CARRIER		
42	12112048	4	Valve COLLECT		
43	12112049	2	Valve Guide Washer		
43A	53041020	2	CIRClip DIN 472 I-20		
44	12122050	1	Seal, valve		
46	12122053	1	Nut, flywheel		
47	12122054	1	Washer DIN 2093-40x20,4x2,25		
48	12112055	1	Small STARTING PinION		
49	12112056	1	PinION PIN		
50	12112057	1	STARTING Chain		
51	12112058	1	LARGE STARTING PinION		
52	11113035	1	Nut, pawl		
53	12112060	1	Shaft COLLAR		
54	12112061	1	LARGE PinION KEY		
56	53040020	1	CIRClip DIN 471 E-20		
57	53041047	2	CIRClip DIN 472 I-47		
58	34711014	2	Ball Bearing 6204-2RSH		
59	52103258	4	Bolt DIN 912 M8-25 8.8		
60	12112067	1	Chain GUARD [NP]		
61	52102156	1	Bolt DIN 933 M6-16 8.8		
62	12112069	1	Guard Mount		
64	12112071	1	Handle Arm		
66	12112073	1	GRIP Tube		
NS	12112171	1	STARTING Handle [NS]		



D_LO01_1_5		Regulator - Fuel Control - Injector Rock			
FIG.	REF.	QTY	DESCR.	FROM	UPTO
1	12123001	1	Shaft,governor		
2	12123002	1	Nut		
3	12123009	1	Washer		
4	12123003	1	Gear,governor [NP]		
5	12123004	1	Plate		
6	12123005	2	SCREN		
7	12123006	1	Plate		
8	12123007	6	Ball,governor [NP]		
9	12123008	1	MOUSING,governor		
11	(*)	1	Not available [NP]		
12	12123010	1	Bracket		
13	12123013	1	Bolt		
16	12123016	1	Yoke,governor		
17	12123017	3	Spring GOverNOR		
18	12123018	1	Spacer		
19	51102106	1	Bolt DIN 933 M5-15 8.8		
20	12123020	1	Bolt Spring		
22	12123021	1	Shaft,governor lever		
23	53042007	1	CIRClip DIN 6799 7		
24	12123023	0	Lever,governor [VAR]		
25	12123024	1	Pin		
26	12123025	1	Lever,engine speed control		
27	12123027	1	Spring GOverNOR		
28	12123028	1	Washer		
29	12123029	1	Pin,governor Shaft		
30	12123031	1	Bracket,stop [NP]		
31	12123032	0	Gasket,-collar 0,5 mm [VAR]		
31	12123085	0	Gasket Support 1 MM [NP] [VAR]		
32A	52102156	1	Bolt DIN 933 M6-16 8.8		
32C	12113051	1	Stop Handle CATCH		
33	53033006	2	Washer GROWER DIN 127-6		
36	12123038	1	Spring		
37	12123039	1	AuxiliarY Fuel Mechanism [NP]		
38	12123040	1	Gasket,stop bracket [NP]		
39	12123041	1	Pin [NP]		



[NP] Not provided

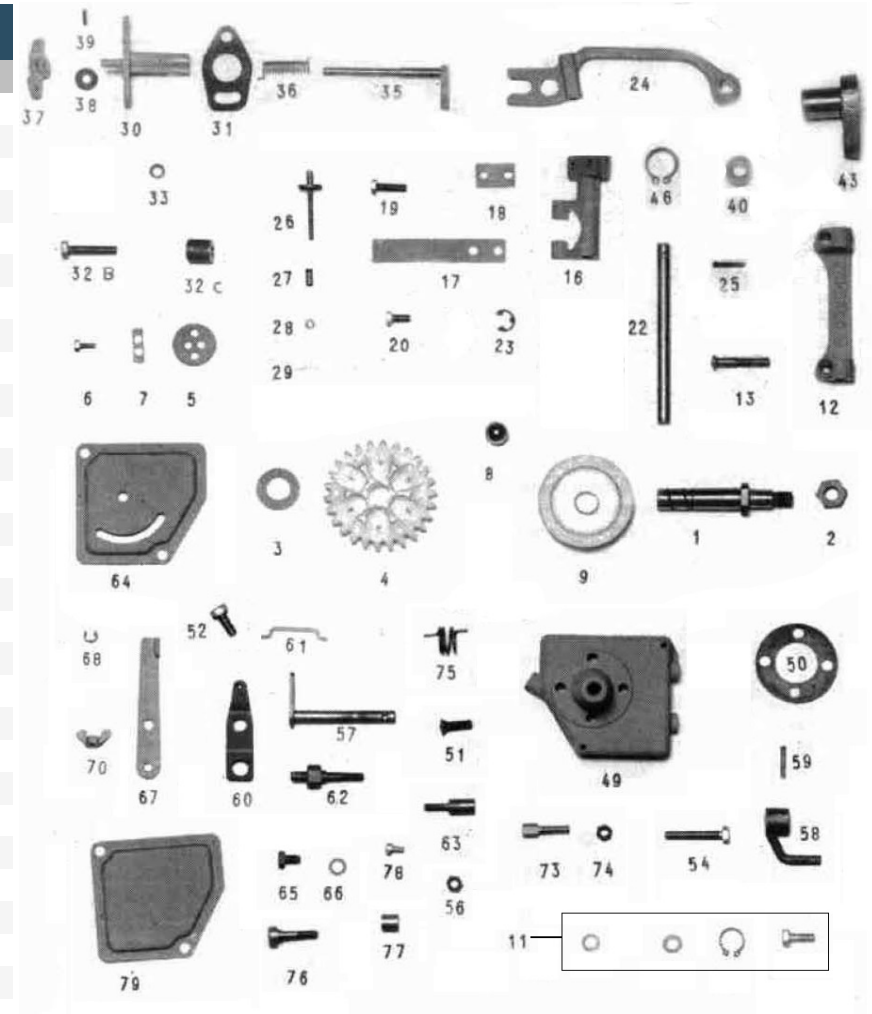
[NS] Not shown

[VAR] Variable according to repair

14/03/2017

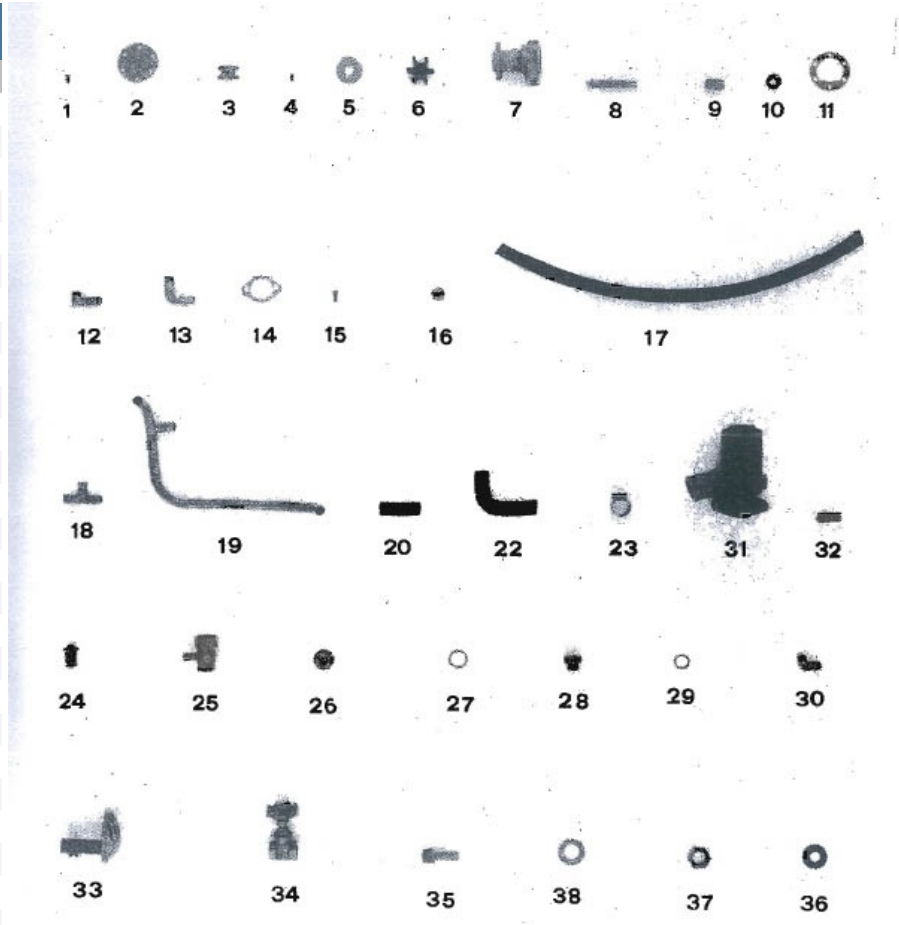


D_LO01_1_5 Regulator - Fuel Control - Injector Rock					
FIG.	REF.	QTY	DESCR.	FROM	UPTO
40	12122052	1	Washer		
43	12123046	1	Support,rocker		
46	53040018	1	CIRClip DIN 471 E-18		
50	12123055	1	Gasket		
51	12123056	3	Bolt		
52	12123057	1	Bolt		
54	12113026	1	Bolt,regulation		
56	12822086	1	Nut		
57	12123061	2	Shaft,engine control speed		
58	12123062	1	Cam,engine control speed		
59	12823040	1	Pin		
60	12123064	1	Lever,engine control speed [NP]		
61	12123065	1	Clamp,engine control speed		
62	12123066	1	Bolt [NP]		
63	12123068	1	SCREN [NP]		
65	51102154	2	Bolt DIN 933 M6-10 5.6		
66	51030006	2	Washer DIN 125-6		
67	12123071	1	Lever,external		
68	53042230	1	CIRClip DIN 6799 2,3		
70	51124005	1	Nut DIN 315 M5 5.6		
73	12113078	1	CABLE SHeatH TIP		
74	55120008	1	Nut DIN 934 M8		
75	12123080	1	Spring		
76	12123081	1	Bolt		
77	12123082	1	Stud		
78	51108052	1	Bolt DIN 84 M4-6 5.6 [NP]		
79	12123084	1	Cover Box		
NS	12123053	1	Control Speed,engine [NS]		
NS	12123030	1	AuxiliarY Fuel Mechanism [NS]		
NS	12123042	1	ARM Rocker,fuel pump [NS]		
NS	12123012	1	Lever,governor [NS]		





D_LO01_3_1		Cooling System			
FIG.	REF.	QTY	DESCR.	FROM	UPTO
1	55307104	6	Bolt DIN 86 W3/16-10		
2	32111002	1	Cover Pump		
3	32111005	1	Cam		
4	55307105	1	Bolt DIN 86 W3/16-13		
5	32111026	1	DISCK Seal HOldING		
6	32111008	1	1/4" Impeller		
7	32111001	1	Body Pump		
8	32111010	1	Shaft Pump		
9	31211016	1	SELFOil D. 12X16X25		
10	32111020	2	Seal Shaft 12-22-7		
11	32111003	1	Gasket,cover		
12	12111081	1	Hose Connection 1/4"	26/06/2017	
12	12111078	1	Elbow,water inlet [NP]		25/06/2017
13	12111082	1	Water Outlet Elbow		
14	32111023	1	Gasket		
15	52102156	2	Bolt DIN 933 M6-16 8.8		
16	12111026	1	Drive,water pump		
17	12111061	1	Hose		
18	12111074	1	Holder; nozzle		
19	12111075	1	Assy,Fuel Return		
20	13111036	4	Pipe 12-21-45		
22	13111037	1	Elbow Rubber		
23	54081016	10	Clamp DIN 3017 16-27/9 W4		
24	12111071	1	Thermostat		
24-30	12111170	1	Thermostat Assy		
25	12111072	1	Mousing,thermostat		
26	12111073	1	Cover,thermostat [NP]		
27	12111079	1	Gasket,Thermostat		
28	12111076	1	Plug		
29	56000073	1	Copper Washer 16-23-1,5		
30	12111077	1	Elbow,water inlet		
31	12113090	1	Pipe Exhaust		
32	12811012	1	Pipe		
33	60121001	1	STrainer		
33-37	60121000	1	Water Trainer D.13		

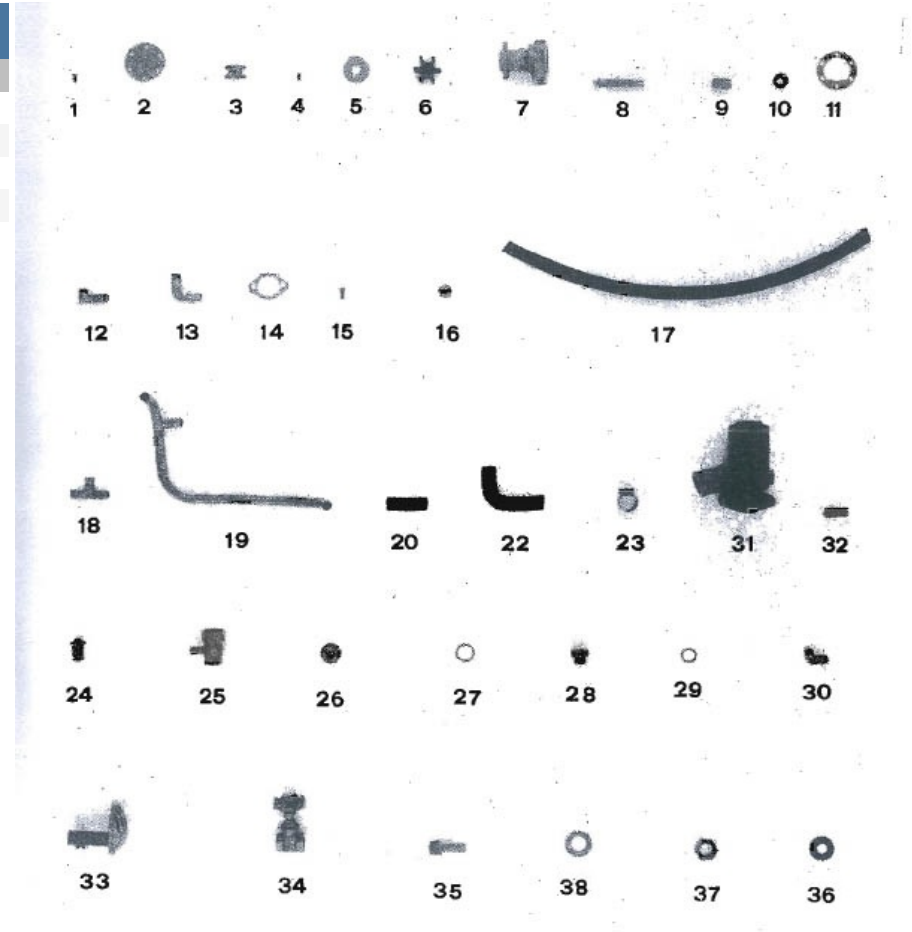


[NP] Not provided
 [NS] Not shown





D_LO01_3_1		Cooling System				
FIG.	REF.	QTY	DESCR.	FROM	UPTO	
34	60121005	1	Water Trainer 1/2"			
35	60121007	1	Outlet Coupling			
36	60121002	1	Gasket,Water Trainer			
38	60121008	2	Washer, Water Trainer			
NS	32111000	1	1/4" Water Pump "J" Set [NS]			



D_LO01_4_1		Fuel System - Lubricating System			
FIG.	REF.	QTY	DESCR.	FROM	UPTO
1	52102156	2	Bolt DIN 933 M6-16 8.8		
2	52120006	2	Nut DIN 934 M6 8.8		
3	53033006	2	Washer GROWER DIN 127-6		
4	11114095	1	Element,fuel filter		
6	11111210	1	Stud		
7	11114094	1	Ring,top gasket		
8	11114096	1	Ring,botton gasket		
10	11114092	1	Gasket,fuel filter		
11	11114098	1	Nut		
12	57000353	1	Washer 6,2-11-1,5		
14	12114016	1	Fuel Outlet Coupling		
17	12114019	1	Pipe,filter to fuel pump		
19	12124021	1	Bolt,eye		
20	12124022	1	Bolt,bleed		
22	12124024	2	Washer,plain		
23	12124025	1	Pump Assy,fuel injection		
24	12124027	0	SMIM,adjusting 0,1 MM [VAR]		
24	12124026	0	SMIM,adjusting 0,5 mm [VAR]		
25	52103258	3	Bolt DIN 912 M8-25 8.8		
27	12124028	1	Cap		
28	12124029	1	Washer		
29	12124030	1	Pin		
30	12124031	1	Pipe Injection		
31	12324032	1	Nozzle and Holder Assy		
32	12326011	1	Nozzle		
33	12124036	0	Gasket,nozzle holder 1 mm [VAR]		
33	12124035	0	Gasket,nozzle holder 0,5 mm [VAR]		
34	12124037	1	COLLAR,union		
35	12126008	1	Bolt,eye		
36	12124023	2	Washer,plain		
37	12124041	1	Body,oil pump [NP]		
42	51030008	1	Washer DIN 125-8		
43	12124048	1	Gear,oil pump [NP]		
44	12124047	1	KEY,woodruff		
45	12124046	1	Gear,oil pump [NP]		



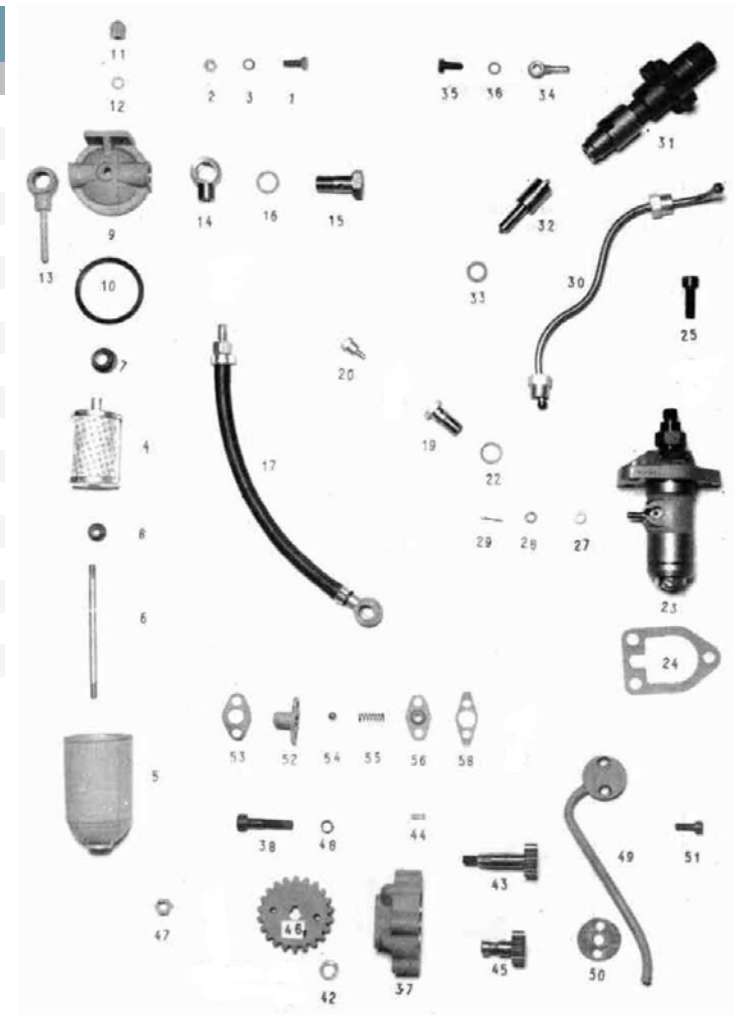
[NP] Not provided

[NS] Not shown

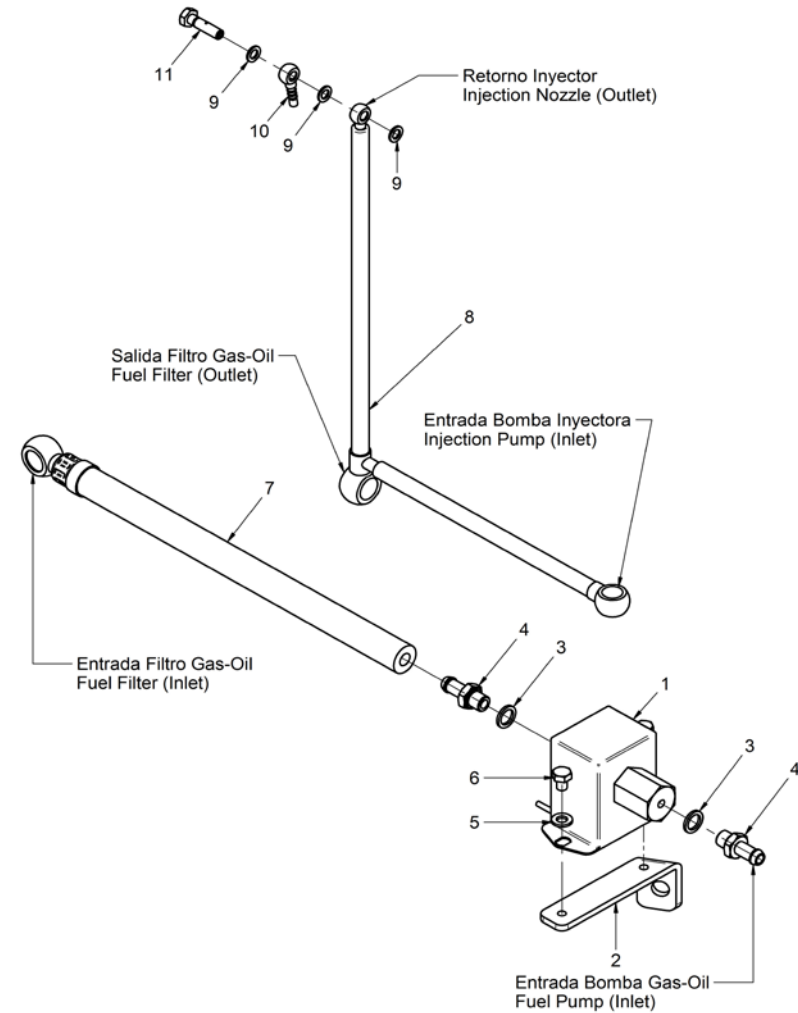
[VAR] Variable according to repair



D_LO01_4_1		Fuel System - Lubricating System			
FIG.	REF.	QTY	DESCR.	FROM	UPTO
46	12124049	1	Gear,control		
47	52120008	1	Nut DIN 934 M8 8.8		
48	53033008	1	Washer GROWER DIN 127-8		
49	12124050	1	SCREEN Assy,oil		
50	12124051	3	Washer,plain		
51	12124052	1	Bolt		
52	12124054	1	Valve,oil pressure [NP]		
53	12124055	1	Gasket,oil valve		
53-58	12124153	1	Valve,oil pressure		
54	12124056	1	Ball		
55	12124057	1	Spring		
56	12124058	1	Cover,valve		
58	12124060	1	SHEET		
NS	12114070	1	Kit Pump [NS]		
NS	12124040	1	Pump Assy,oil [NS]		
NS	55307105	2	Bolt DIN 86 W3/16-13 [NS]		
NS	12124062	1	Washer,hocking [NS]		
NS	12114071	1	Gasket Pump [NS]		



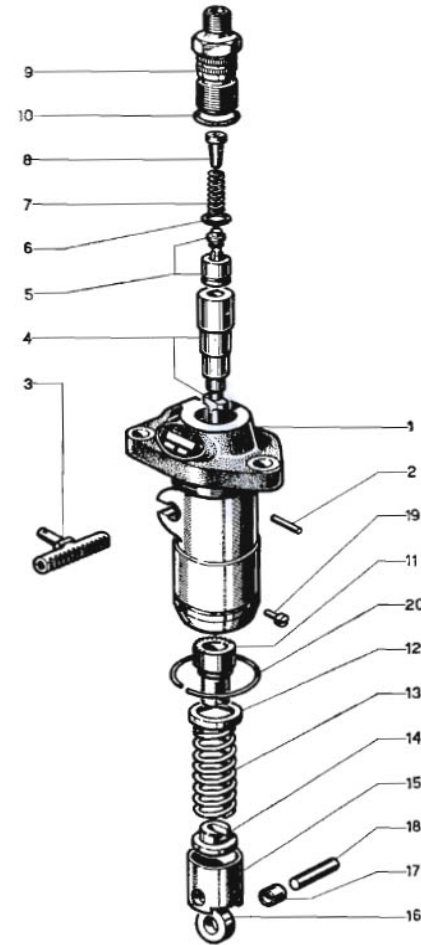
12114100 Kit Pump						
FIG.	REF.	QTY	DESCR.	FROM	UPTO	
1	13814070	1	Electric Fuel Feed Pump 12V			
2	12114099	1	ELECTRIC Fuel Pump, Bracket			
3	57000361	2	Washer 10-14-1,5	01/06/2013		
4	13814072	2	NIPPLE EYE			
5	51030006	2	Washer DIN 125-6			
6	52102153	2	Bolt DIN 933 M6-8 8.8			
7	17114017	1	Pipe, Filter TO INJEC. Pump			
8	12114181	1	Hose,filter [NP]			
9	12124023	3	Washer,plain			
10	12124037	1	COLLAR,union			
11	12114182	1	Fuel Return [NP]			
NS	60900126	1	TERMINAL [NS]			
NS	51086015	1	ONE EAR Clamp With INTERIOR Ring [NS]			



[NP] Not provided
 [NS] Not shown



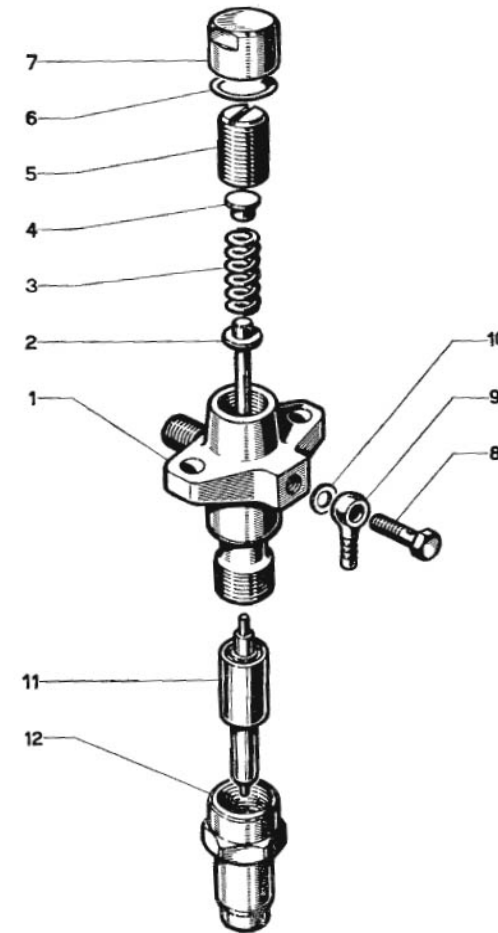
D_LO01_4_2		Fuel Injection Pump				
FIG.	REF.	QTY	DESCR.	FROM	UPTO	
1	12125001	1	Body,oil pump [NP]			
2	12125002	1	Pin [NP]			
3	12125003	1	RACK Assy ,control [NP]			
4	12125004.1	1	ELEMEN Assy Pump [NP]			
5	12125005	1	Delivery Valve [NP]			
6	12125006	1	Washer			
7	12125007	1	Spring,delivery valve			
8	12125008	1	Valve [NP]			
9	12125010	1	COLLAR,union [NP]			
10	12125011	1	Gasket [NP]			
11	12125012	1	Pipe,regulator			
12	12125013	1	Seat,top			
13	12125014	1	Spring			
14	12125015	1	Seat,spring lower			
15	12125017	1	Tappet [NP]			
16	12125018	1	Roller,tappet			
17	12125019	1	Bushing,tappet roller			
18	12125020	1	Shaft,tappet roller			
19	12125021	1	Bolt,tappet			
20	12125022	1	Pump CIRClip			



[NP] Not provided



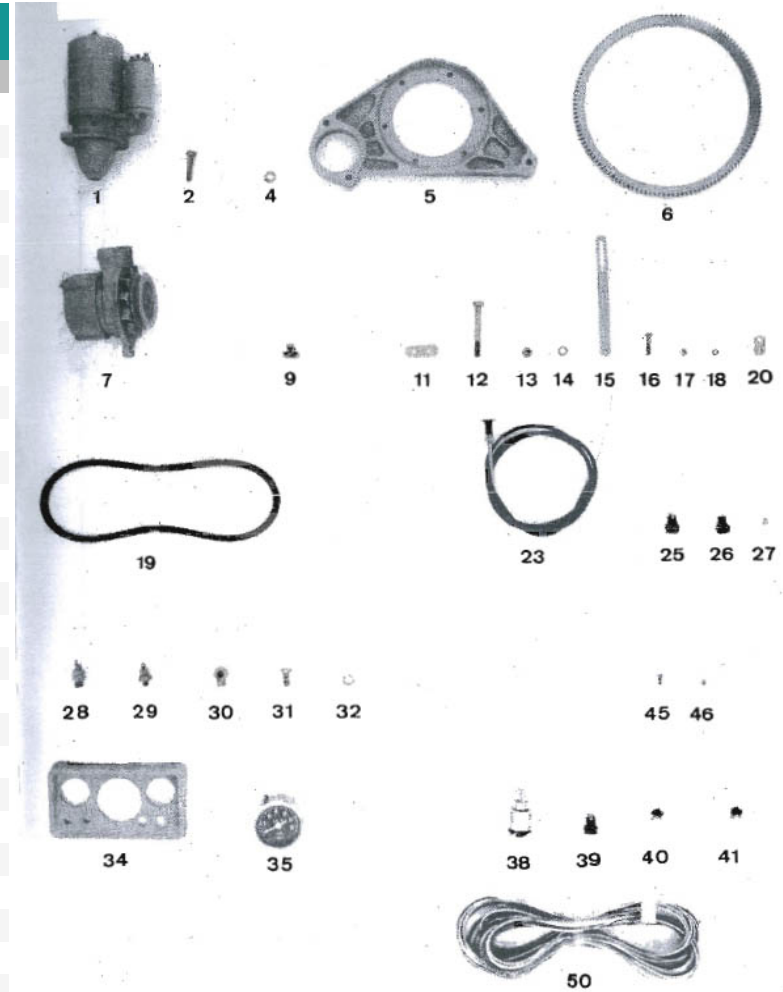
D_LO01_4_3		Injector Body & Nozzle				
FIG.	REF.	QTY	DESCR.	FROM	UPTO	
1-12	12324032	1	Nozzle and Holder Assy			
2	12126002	1	Pressure SPinDLE [NP]			
3	12126003	1	Spring,pressure			
4	12126004	1	CARRIER,spring			
5	12126005	1	Nut			
6	12126006	1	Gasket,injector cap			
7	12126007	1	Cap,injector			
8	12126008	1	Bolt,eye			
9	12124037	1	COLLAR,union			
10	12124023	2	Washer,ploin			
11	12326011	1	Nozzle			
12	12126012	1	Nozzle and Holder Assy [NP]			



[NP] Not provided



D_LO01_5_1		Electrical System			
FIG.	REF.	QTY	DESCR.	FROM	UPTO
1	12117030	1	Starter Assy 12 V		
2	52101312	2	Bolt DIN 931 M10-45 8.8		
4	51030010	2	Washer DIN 125-10		
5	12117032	1	MOUNT Plate(BOSCH)		
7	12117235	1	Alternator Assy BOSCH		
9	12817015	1	Connector [NP]		
11	12117047	1	Bracket,alternator		
12	52101321	2	Bolt DIN 931 M10-90 8.8		
13	52120010	4	Nut DIN 934 M10 8.8		
14	53033010	2	Washer GROWER DIN 127-10		
15	12117040	1	Tension Adjustment Bran		
16	52101260	1	Bolt DIN 931 M8-35 8.8		
17	52120008	1	Nut DIN 934 M8 8.8		
18	53033008	1	Washer GROWER DIN 127-8		
19	12117043	1	Belt Type A 46 1168		
20	12117045	1	Engine Stop Bracket		
23	60900405	1	Shut-Down Cable 0,50 M. [NP]		
25	60900051	1	LAMP, charge		
26	60900052	1	LAMP, water temp.		
27	60900045	1	Bulb 12V 3W Connector B		
28	60900071	3	THERMO-SWITCH		
29	60900076	1	Switch, oil press		
30	12114064	1	NIPPLE,oil swicth		
32	57000365	2	Washer 12-20-1,5		
33	60923000	1	Panel MINI-1/2/3		
34	60923001	1	Panel		
35	60923710	1	TACHOMETER MINI-1,2y3		
38	60900031	1	Key-Locking Switch		
38	60900030	1	Key-Locking Switch		
39	60900050	1	LAMP, oil press.		
40	60900040	1	Switch, stop		13/07/2017
40	60900049	1	Pushbutton Stop	13/07/2017	
41	60900060	1	Alarm, SWITCH		
45	52102156	3	Bolt DIN 933 M6-16 8.8		
46	52120006	3	Nut DIN 934 M6 8.8		



[NP] Not provided



D_LO01_5_1		Electrical System			
FIG.	REF.	QTY	DESCR.	FROM	UPTO
50	60923200	1	Wire,electrical MINI-1,2y3		

