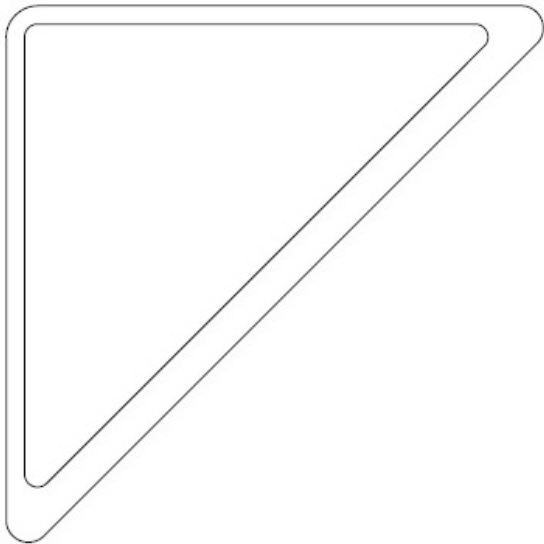


Door Window Sensor 6 user guide.

Modified on: Thu, 16 Nov, 2017 at 10:27 AM

Aeotec by Aeon Labs Door Window Sensor 6.



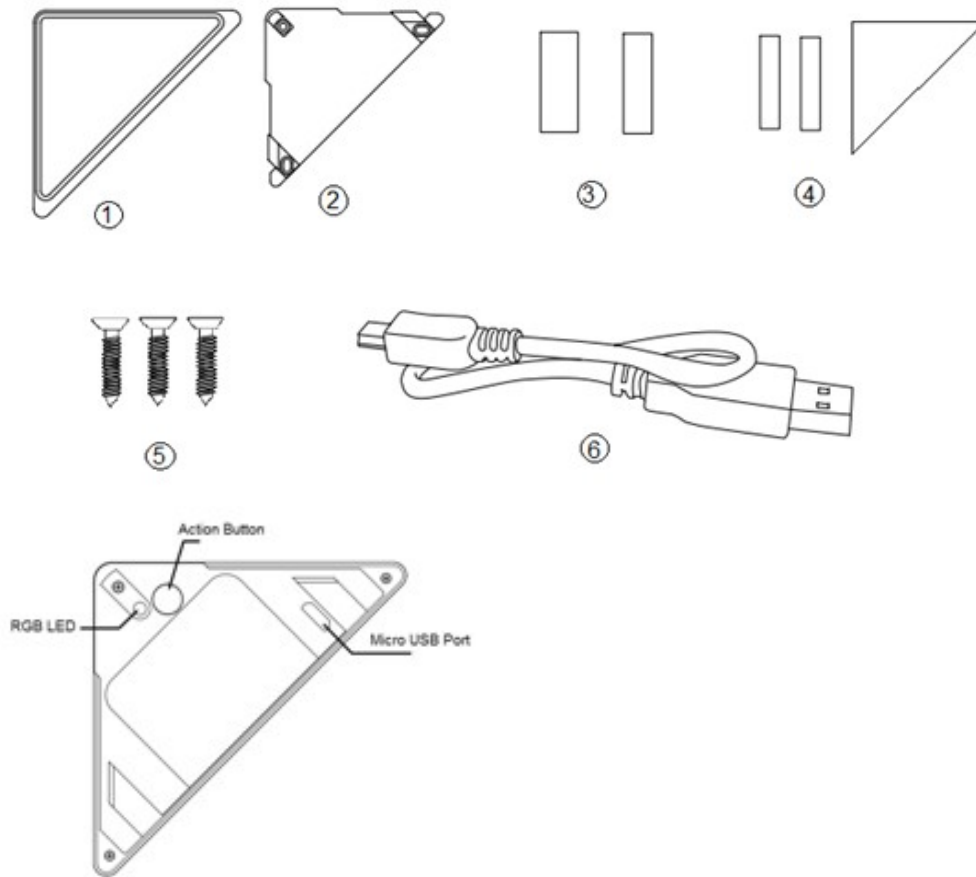
Aeotec Door Window Sensor 6 has been crafted to power connected lighting using **Z-Wave Plus** (<http://aeotec.com/z-wave-plus>). It is powered by Aeotec's **Gen5** (<http://aeotec.com/z-wave-gen5>) technology. You can find out more about **Door Window Sensor 6** (<http://aeotec.com/smallest-door-window-sensor>) by following that link.

To see whether Door Window Sensor 6 is known to be compatible with your Z-Wave system or not, please reference our **Z-Wave gateway comparison** (<http://aeotec.com/z-wave-gateways>) listing. The **technical specifications of Door Window Sensor 6** (<https://aeotec.freshdesk.com/solution/articles/6000168085-door-window-sensor-6-technical-specifications->) can be viewed at that link.

Familiarize yourself with your Door Window Sensor.

Package contents:

1. Sensor Unit.
2. Back Mounting Plate.
3. Magnet Unit (×2).
4. Double-Sided Tape(×2).
5. Screws (×3).
6. USB cable.



Quick Start.

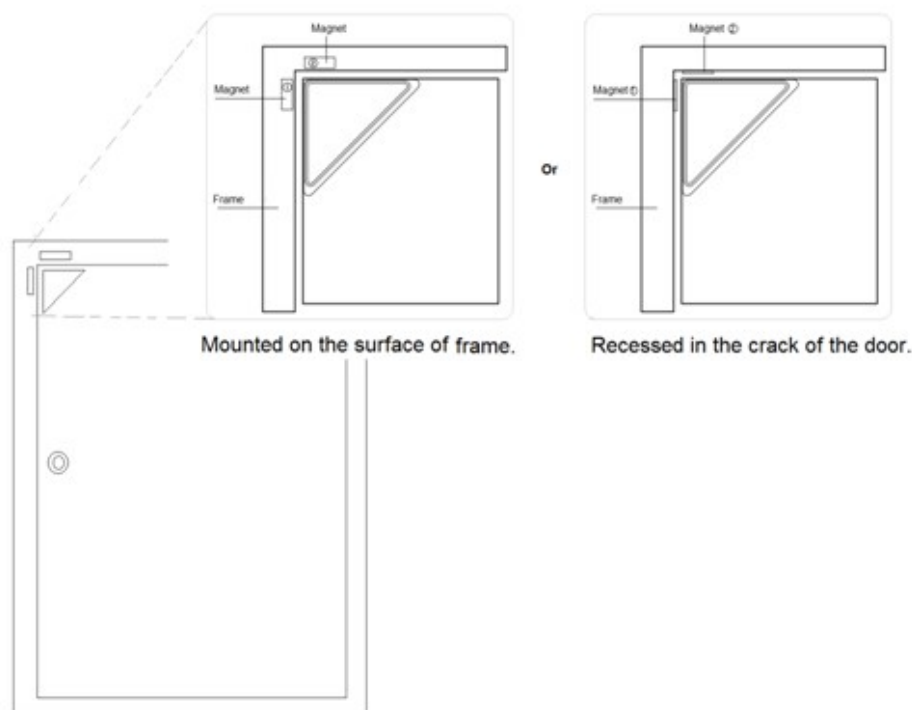
Installing your Door Window Sensor

The installation of your Door Window Sensor has two major steps: the Main Sensor and the Magnet. Your Door Window Sensor will use wireless technology to talk to your Z-Wave network once paired to your Z-Wave network.

Selecting where you'll place your Door/Window Sensor in your home is just as important as the actual affixing it to the surface.

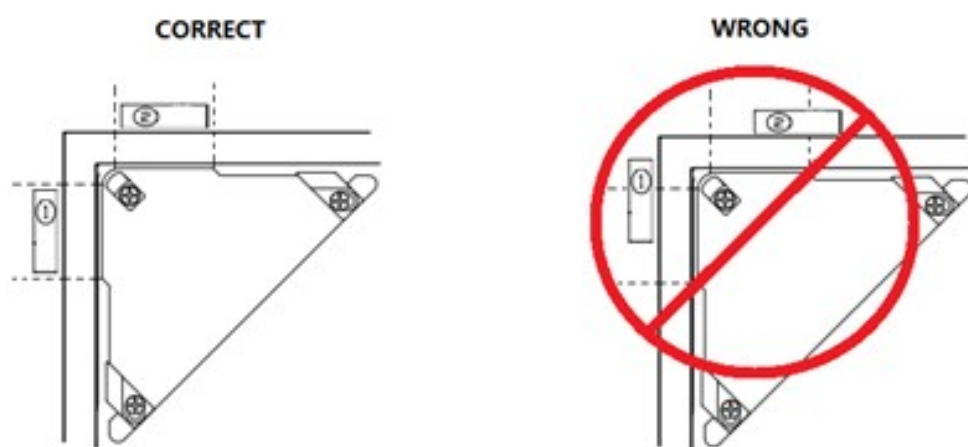
Whether it's for security or intelligence purposes, your sensor:

1. Should be affixed indoors and away from sources of moisture.
2. Placed within 30 meters of another Z-Wave device that is either a gateway or not powered by batteries.
3. The magnet and the main sensor must be less than 1.6cm apart for the small magnet installation or 2.5cm apart for the big magnet installation. Main sensor must be affixed to the door or window and the magnet must be affixed to the frame. The magnet and the main sensor must separate when the door or window is opened.
4. Should not be mounted on a metal frame.



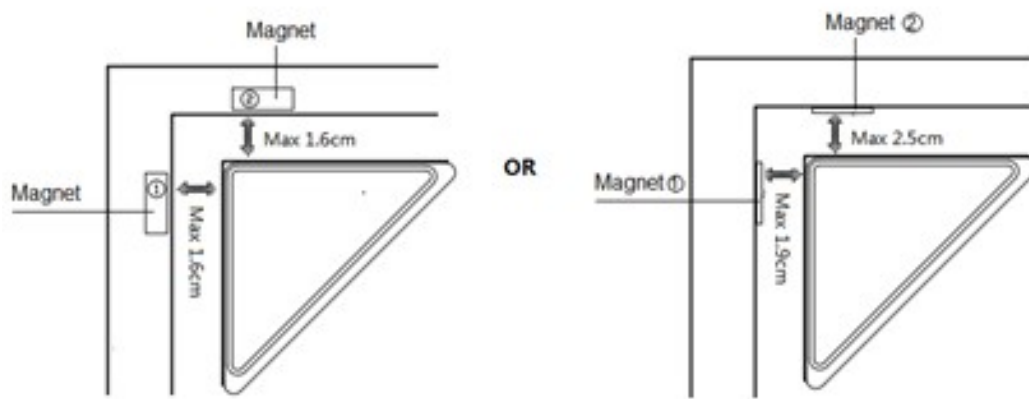
Affix your Back Mounting Plate and Magnet to a surface.

The Back Mounting Plate can be affixed using screws or double-sided tape and should be mounted on the apex angle of the door. The Magnet must be affixed using double-sided tape and can't exceed the valid range, see the figure below.



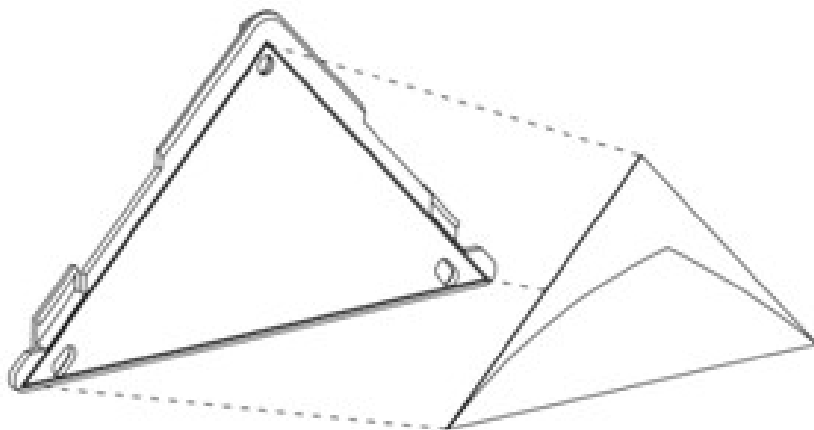
Note:

1. There are 2 types of Magnets (Magnet 1: 30mm×6mm×2mm, Magnet 2: 30mm×10mm×2mm) , the size of magnet 2 is a little larger than magnet 1, so the magnetism of magnet 2 is stronger than the magnet 1.
2. You can choose to install each one of magnet on the door frame according to your need or the distance between the door and frame, see the figure below.



3. The Magnets should not be around children to avoid swallowing of the magnets.

When the Back Mounting Plate is affixed by the double-sided tape, wipe the two surfaces clean of any oil or dust with a damp towel. Then when the surface has completely dried, peel one side of the tape back and attach it to the corresponding section on the rear side of the Back Mounting Plate.



Adding your Sensor to your Z-Wave network

With your mounting plates prepared to hold each component of your sensor, it's time to add it to your Z-Wave network.

1. Let your Z-Wave primary controller/gateway enter into adding/inclusion mode.
2. Take your Sensor near to your primary controller.
3. Press the Action Button once on your Sensor. The green LED will blink.
4. If your Door Window Sensor has been successfully added to your Z-Wave network, its green LED will be solid for 2 seconds and then the orange LED will fast blink for 10 minutes if the Sensor does not receive the Wake Up No More info Command from Controller.

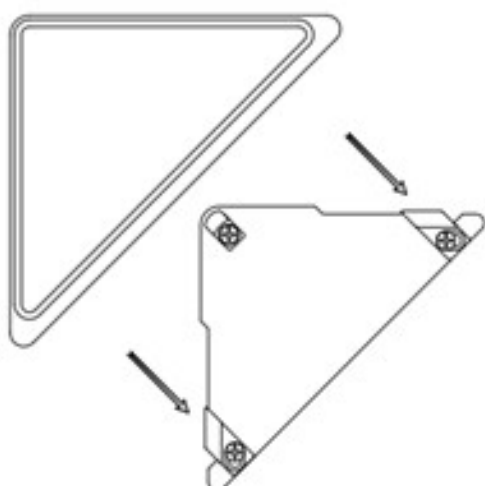
If the pairing was unsuccessful, the red LED will appear solid for 2 seconds and then turn off. Please repeat from step 1 in the case of an unsuccessful pair.

With your Sensor now working as a part of your smart home, you'll be able to configure it from your home control software or phone application. Please refer to your software's user guide for precise instructions on configuring the Door Window Sensor to your needs.

Attach your Sensor to its Back Mounting plate

With your Sensor added to the Z-Wave network. It's now time to insert the main unit into the corresponding sensor plate.

Put the main unit in the top-left direction on the Back Mounting, and then push the Sensor into the Back Mounting Plate, as the figure below shows.



After the installation is complete, you can paint the Door Window Sensor to match with the door colour.

Advanced functions.

Send a wake up notification

In order to send your Sensor new configuration commands from your Z-Wave controller or gateway, it will need to be woken up.

1. Remove your Sensor unit from its Back Mounting Plate, press the Action Button on the back of the Sensor unit and then release the Action Button. This will cause the LED to become green to indicate that it has triggered and sent a wake up notification command to your controller/gateway.

If you want to keep the sensor awake longer, follow steps 2 and 3.

2. If you want your Sensor to keep awake for a longer time, press and hold the Action Button on the back of the Sensor unit until the LED turns yellow (3 seconds in), then your Sensor will wake up for 10 minutes. During this time, the orange LED will fast blink while it is awake.

3. When you have finished configuring your sensor during the 10 minute wake up period, you can put the sensor back to sleep by tapping its button to disable wake up mode (and conserve battery power).

Alternatively, you may plug in your Door/Window Sensor 6 into USB power to keep the unit awake to take in configuration changes. Some gateways will require you to send a wakeup notification to continue with the configuration or changes to the sensors settings.

Removing your Sensor from your Z-Wave network

Your sensor can be removed from your Z-Wave network at any time. You'll need to use your Z-Wave network's main controller/gateway. To do this, please refer to the part of your gateways respective manual that tell you how to remove devices from your network.

1. Put your primary controller into device removal mode.

2. Unlock your Sensor from the Back Mount plate and take the Sensor unit near to your primary controller.
3. Press the Action Button on your Sensor.
4. If your Door Window Sensor is successfully removed from the Z-Wave network, the RGB LED will become a colorful gradient for a few seconds and then turn off. If the removing was unsuccessful, the RGB LED will be solid for 8 seconds and then turn off, repeat the above steps.

Non-Secure Inclusion.

If you want your Sensor as a non-security device in your Z-wave network, you just need to press the Action Button once on Door Window Sensor when you use a controller/gateway to add/include your Sensor. The green LED will be on for 2 seconds and then the orange LED will fast blink for 10 minutes (if the Sensor does not receive the Wake Up No More Info command from primary Controller) to indicate the inclusion is successful.

Quick Steps:

1. Put your gateway into pair mode.
2. Tap the button on the Door Window Sensor 6
3. The LED will blink green to indicate unsecure inclusion.

Secure Inclusion.

In order to take full advantage of all functionality the Door Window Sensor, you may want your Sensor is a security device that uses secure/encrypted message to communicate in Z-wave network, so a security enabled controller/gateway is needed for the Door Window Sensor to be used as a security device.

You need to press the Sensor's Action Button 2 times within 1 second when your security controller/gateway starts the network inclusion. The blue LED will be on for 2 seconds and then the orange LED will fast blink for 10 minutes (if the Sensor does not receive the Wake Up No More Info command from primary Controller) to indicate the inclusion is successful.

Quick Steps.

1. Put your gateway into pair mode.
2. Tap the button on the Door Window Sensor 2x times within 1 second.
3. The LED will blink blue to indicate secure inclusion.

Testing Health Connectivity.

You can determine the health of your Door Window Sensor 6s connectivity to your gateway using a manual button press, hold, and release function which is indicated by the LED color.

1. Press and hold Door Window Sensor 6 Action button
2. Wait until the RGB LED turns into a Purple Color
3. Release Door Window Sensor 6 Action Button

The RGB LED will blink its Purple color while sending ping messages to your gateway, when it has finished, it will blink 1 of 3 colors:

Red = Bad Health

Yellow = Moderate Health

Green = Great Health

Be sure to watch for the blink, as it will only blink once very quickly.

Manually Factory Reset Door Window Sensor 6.

This method is not fully advised unless your gateway has failed, and you do not yet have another gateway to perform a general unpair on Door Window Sensor 6.

1. Press and hold Door Window Sensor 6 Action button
2. Wait until the RGB LED turns into a Green Color, and then release. (LED will change from Yellow, Purple, Red, then to Green)
3. If your MultiSensor has been successfully factory reset from its previous network, the RGB LED will be active with a colourful gradient for 3 seconds. When you press the Action Button on MultiSensor, its green LED will blink. If the removal was unsuccessful, the green LED will stay solid for a few seconds when you press the Action Button.

Your Sensor's battery.

Your Door Window Sensor has a internal rechargeable lithium battery that will last for 6 months on a full charge when it is in normal use condition. The charger's output should be a micro USB terminal with the specification of output DC 5V/1A. When the Door Window Sensor is in charge state, the orange LED will be on. If the orange LED is off and the green LED remains on, then it indicates that the battery charge is complete.

More Advanced Configurations.

You can find more advanced configurations for Door Window Sensor 6 in our Engineering Sheet section on our Freshdesk which can be used to integrate Door Window Sensor 6 into a new gateway or software, or use it as a reference for configurations.

1. **[Door Window Sensor 6 \(https://aeotec.freshdesk.com/helpdesk/attachments/6052990275\)](https://aeotec.freshdesk.com/helpdesk/attachments/6052990275)**

