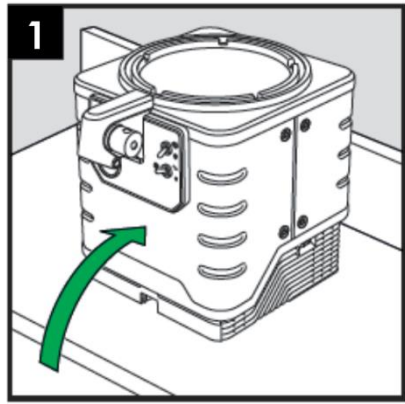


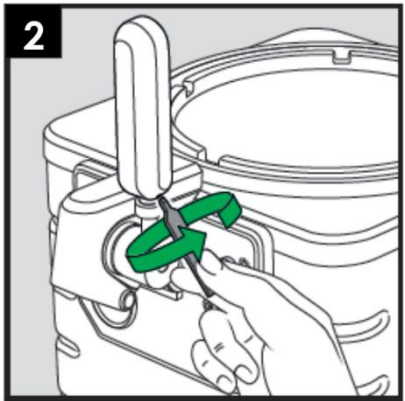
BLADE

Quick start



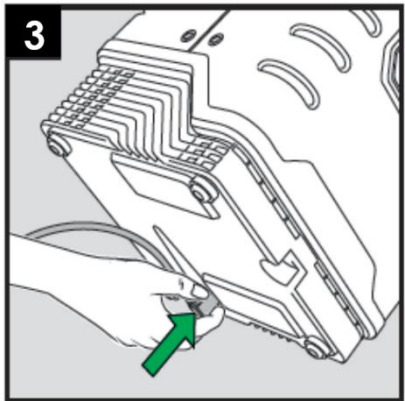
1. Positioning

Remove the Blade from its packaging and place it flat in the indicated position.



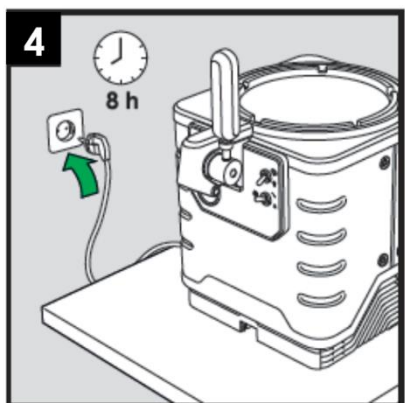
2. Installing the handle

Position the handle in its housing and tighten the screw using the special tool included in the Blade kit



3. Installing the feed cable

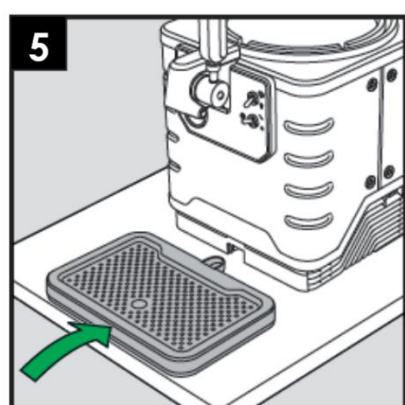
Raise the Blade and insert the cable (supplied) in the socket



4. Power supply

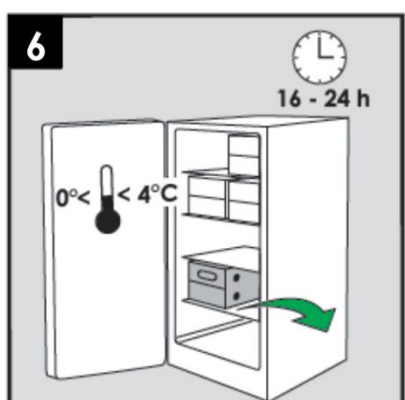
Connect the feed cable to a 220V socket.

Please Note. **It is necessary to wait 8h before starting** once the Blade is connected.



5. Installing the drip tray

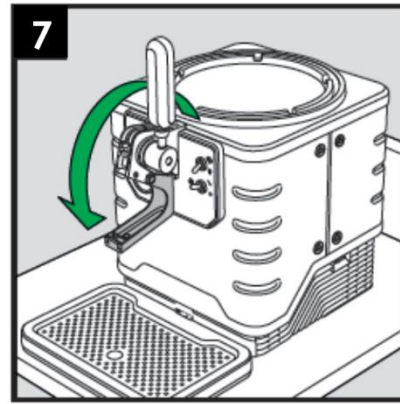
Position the drip tray at the front of the Blade, pushing it into its housing until hearing «click».



6. Pre-cooling the keg

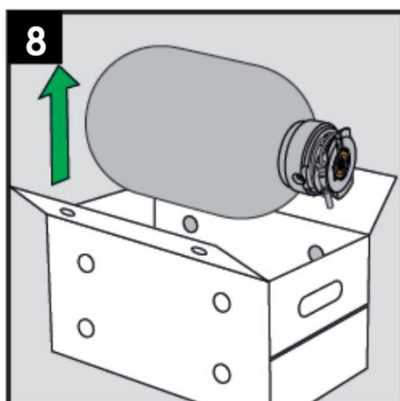
Before starting the Blade, the keg must be pre-cooled for

16-24 hours at a temperature of 3-4°C



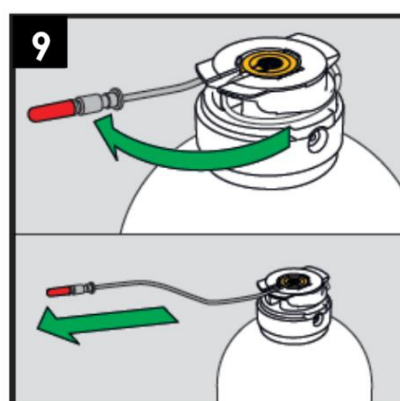
7. Charging the keg

Open the tap cover



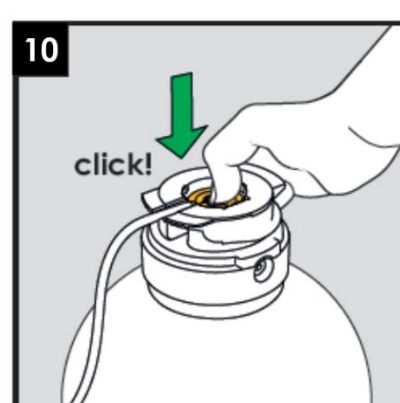
8. Preparing the keg step 1

Remove the keg from its packaging



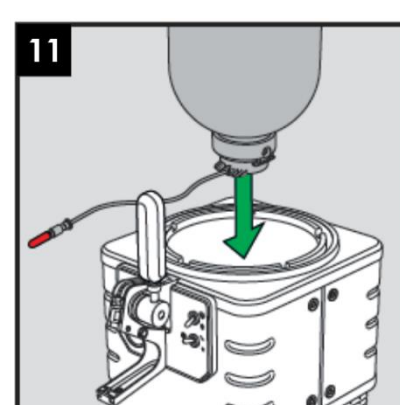
9. Preparing the keg step 2

Unroll completely the «beer tube» with the valve inserted in the keg



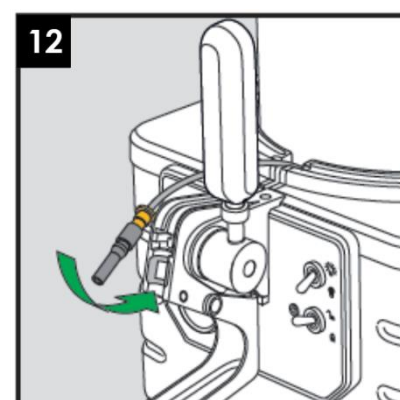
10. Preparing the keg step 3

Press the orange valve with a finger until hearing a «click». At this point the keg is ready to be installed.



11. Positioning the keg

Position the keg vertically inside the cooling chamber with the valve pointing downwards and the «beer tube» straight towards the tap.

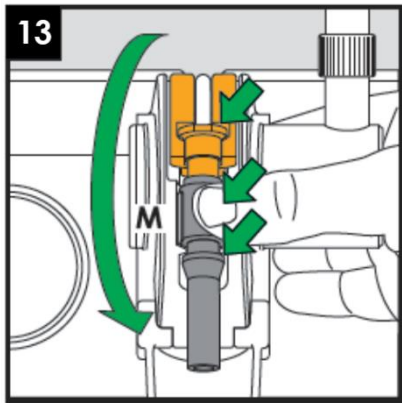


12. Inserting the «tube»

Remove the red cap and bend the beer tube until it completely enters the channel and the top of the orange valve corresponds with its appropriate housing.

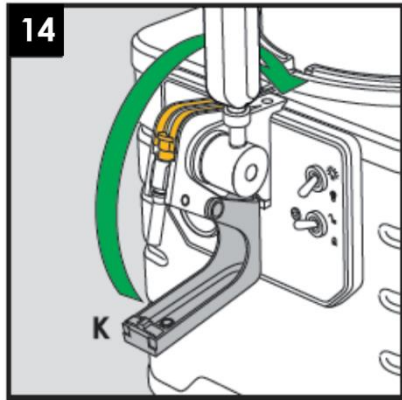
BLADE

Quick start



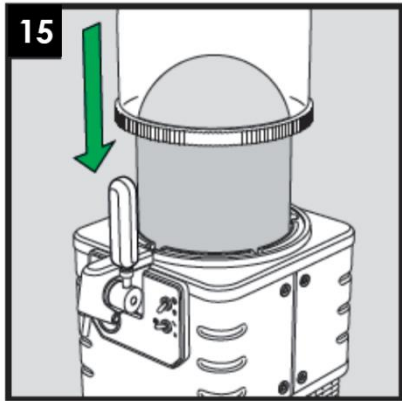
13. Fastening the «tube»

With a finger, press the end of the “beer tube” into its housing until hearing “click”.



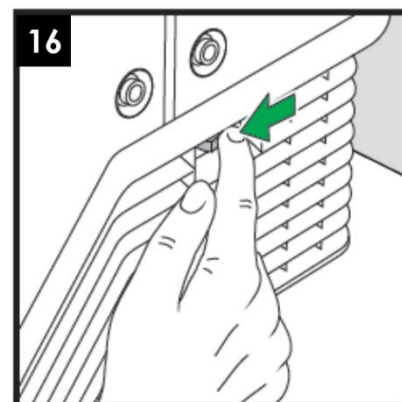
14. Closing the tap

Close the tap cover.



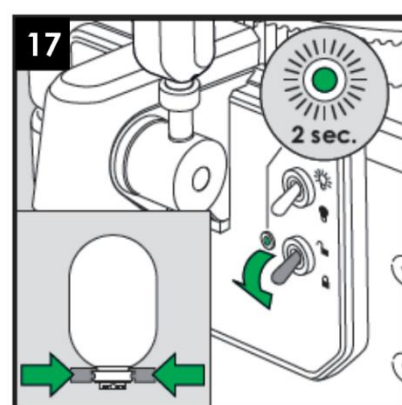
15. Positioning the dome

Take the transparent dome out of its packaging and place it vertically over the installed keg.



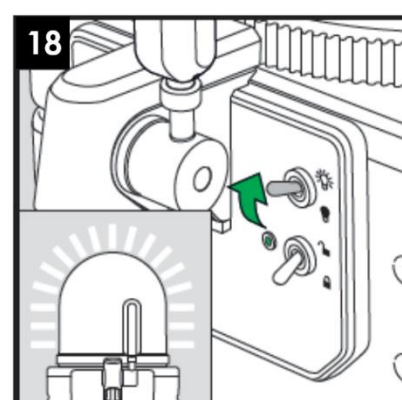
16. Switching on Blade

Press the power switch on the lower right side of the Blade.



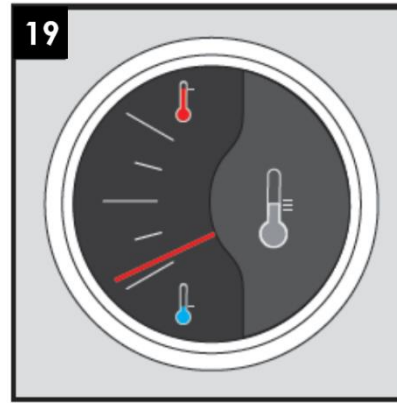
17. Pressurizing the keg

Press down the bottom lever on the right of the tap. After about 2 seconds the led at its side will turn green showing the keg is pressurized.



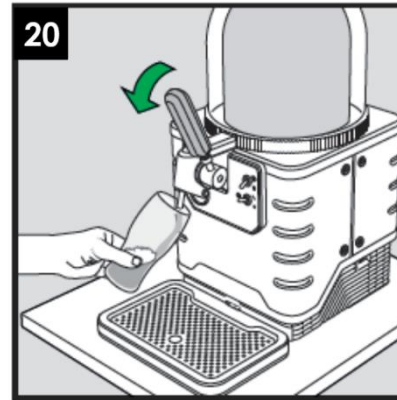
18. Lighting

Raise the top lever on the right of the tap to switch on the leds situated around the base of the keg.



19. Temperature check

Check that the temperature is correct (the needle must be close to the first line at the bottom) on the dial situated on the right below the tap.



20. Tapping

The Blade is now ready and you can pour all the beer you want to ensure your clients enjoy a great draft beer experience.