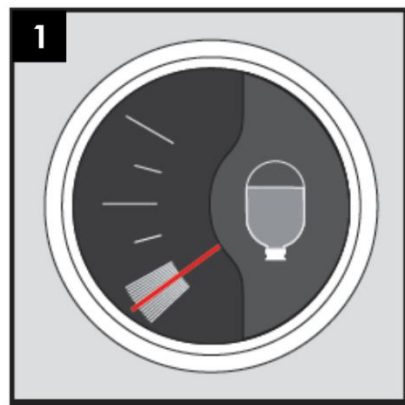


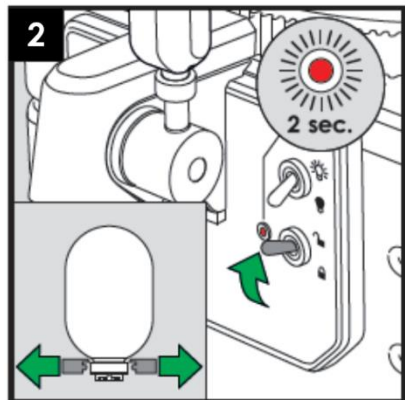
# BLADE

## How to change the keg



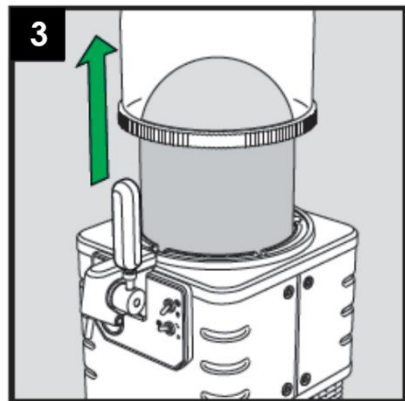
### 1. Check the keg content

Before removing the keg, check the “residual capacity” dial on the left of the tap to make sure there is effectively no beer left.



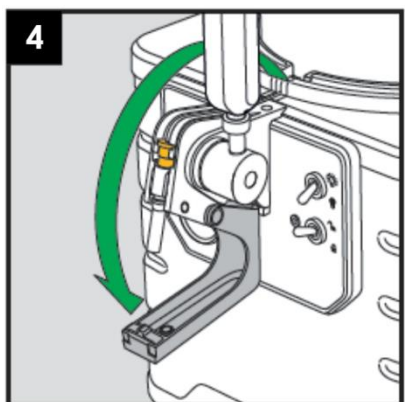
### 2. Depressurize the keg

Raise the bottom lever on the right of the tap. After about 2 seconds the led at the side will turn red to show the keg is depressurized.



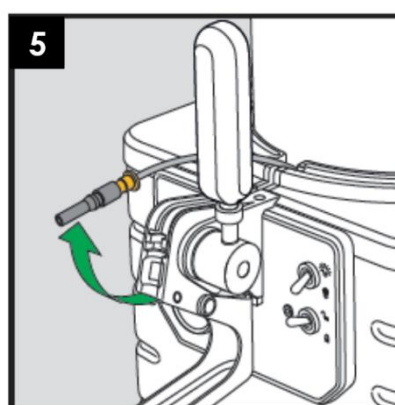
### 3. Remove the dome

Remove the transparent dome by raising it vertically.



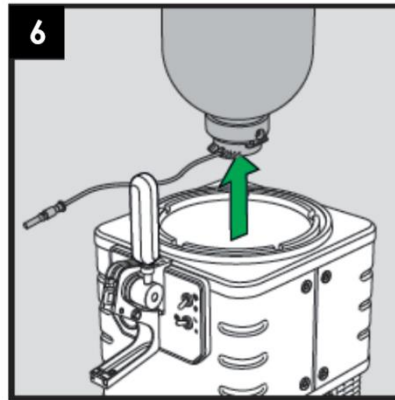
### 4. Open the cover

Open the tap cover.



### 5. Release the «tube»

Pull the tube out of its housing.



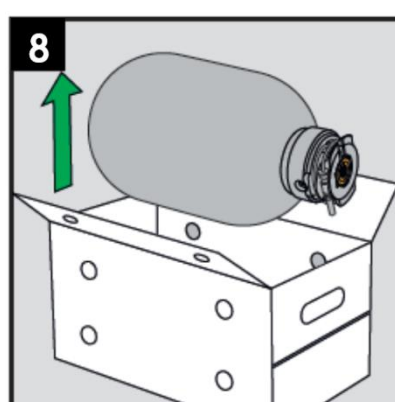
### 6. Remove the keg

Raise the keg vertically and extract it from the Blade.



### 7. Dispose of the keg

Once removed from the Blade, the keg must be disposed of as plastic material.



### 8. Install a new keg

Follow steps 8 → 20 given in the instructions “How to start”.