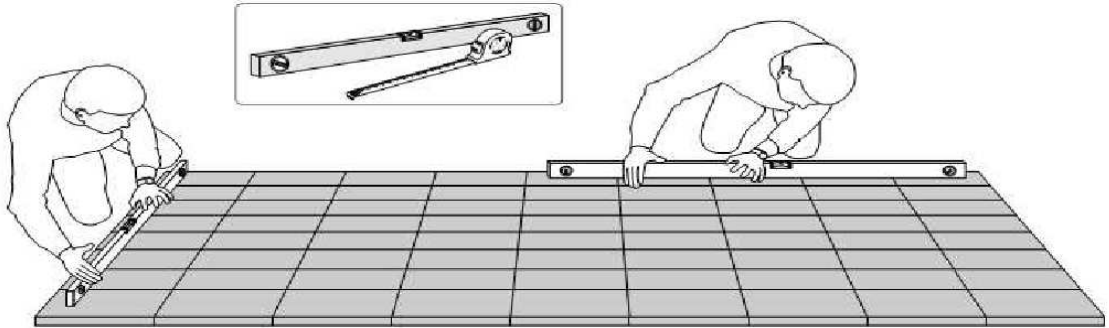


# Garden House Emma

## Assembly instruction

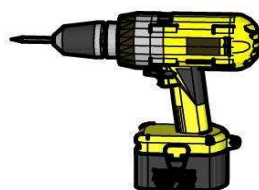
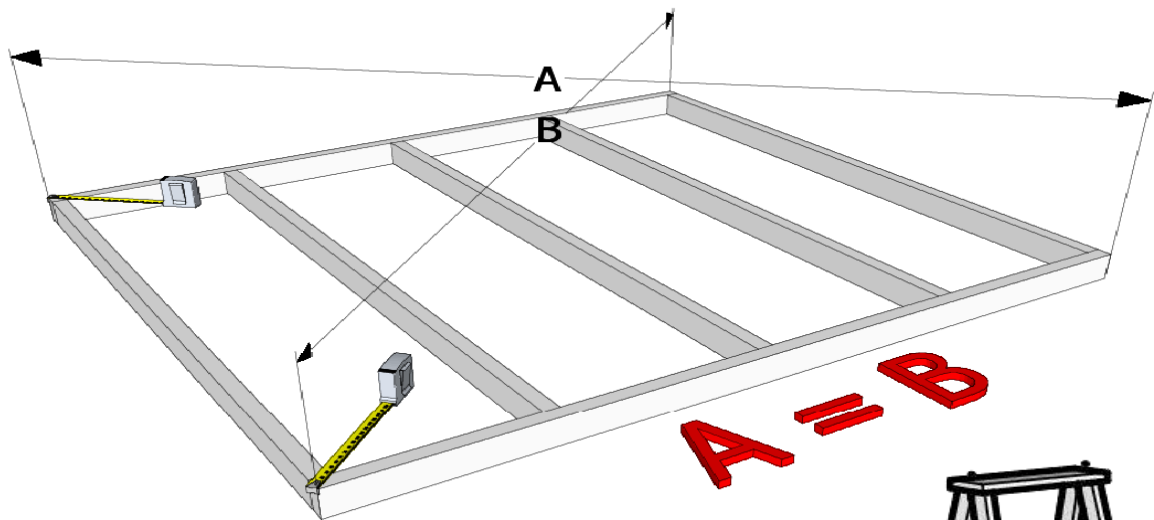
**Important !**

**Wichtig !**



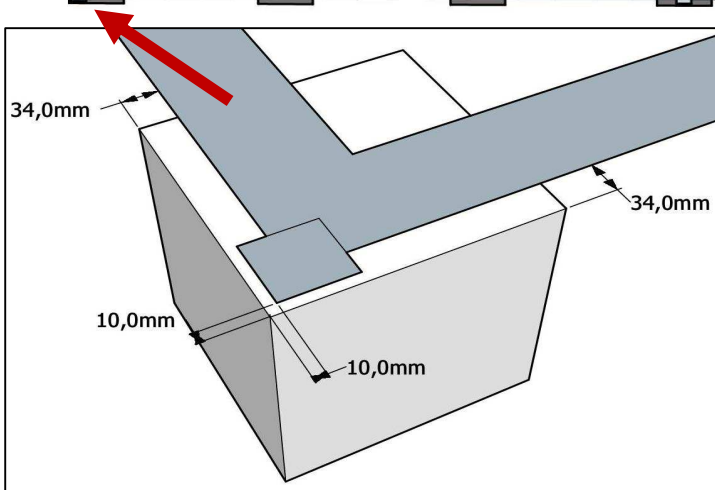
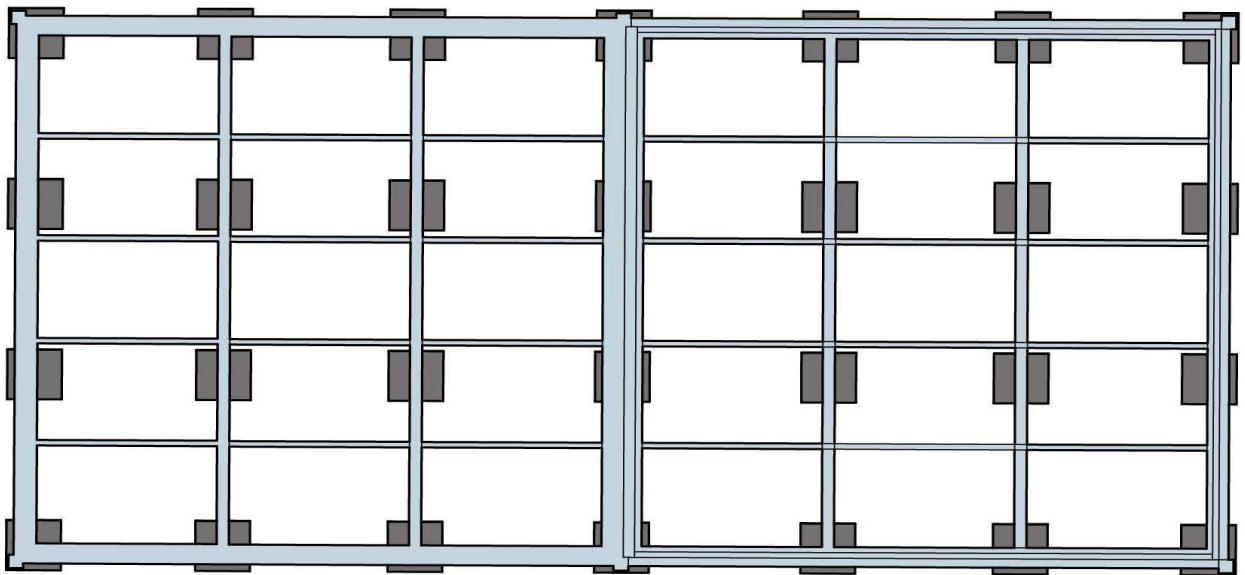
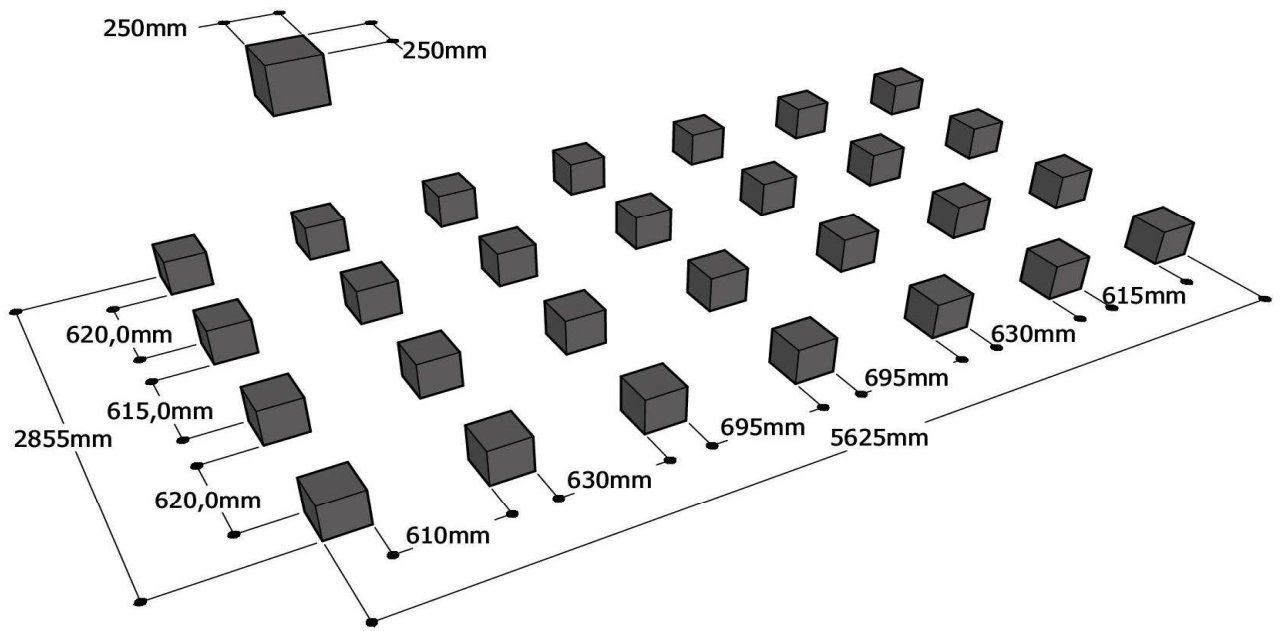
**Important !**

**Wichtig !**



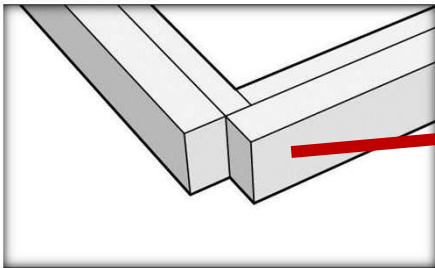
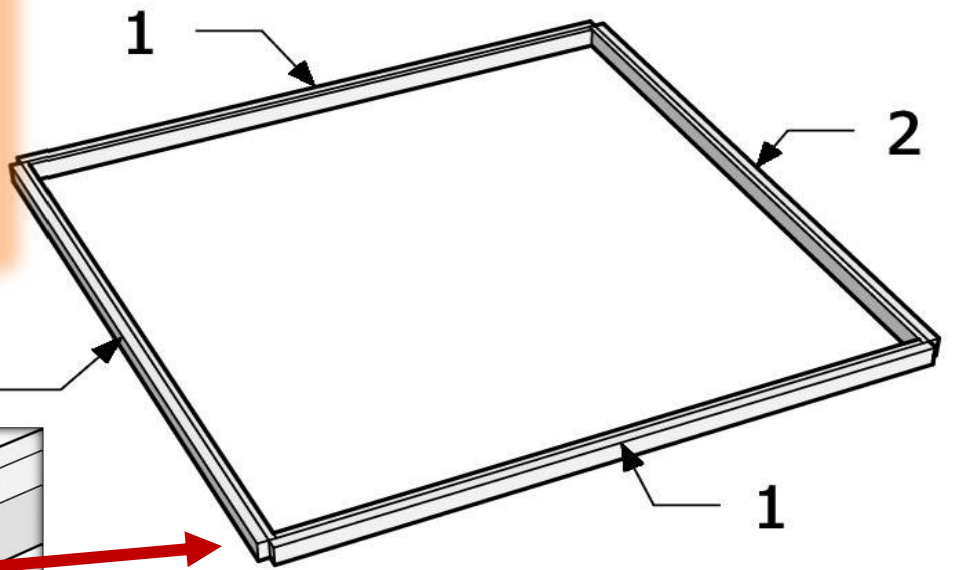
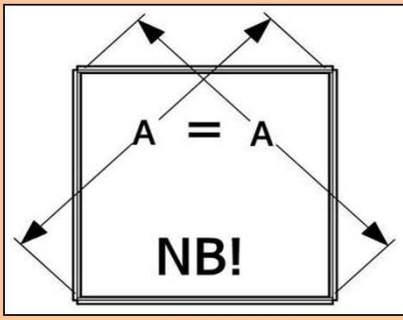
# Garden House Emma

## Assembly instruction



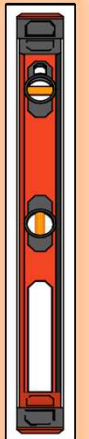
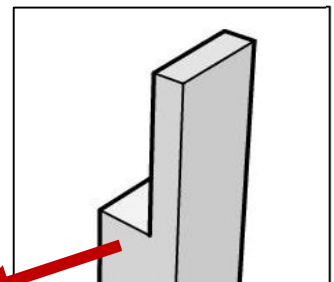
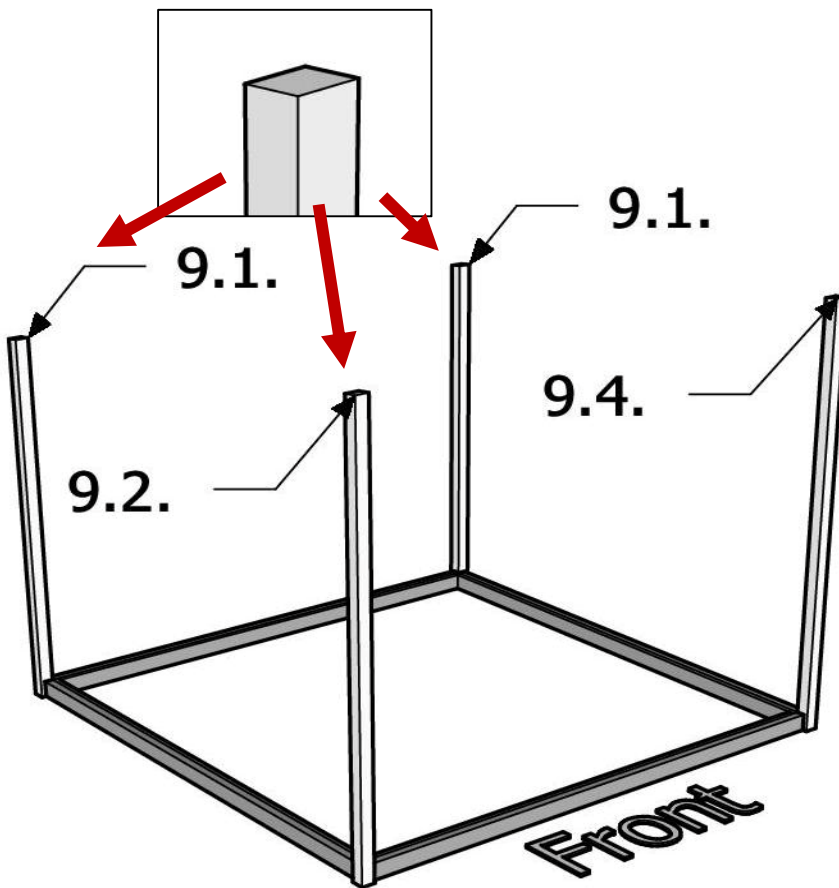
# Garden House Emma Assembly instruction

1/15



**1** + **2**

4,5 x 80	8
----------	---

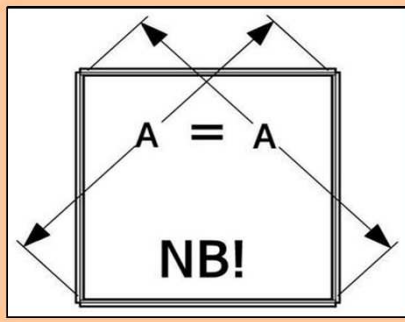


**9.1.** + **9.2.** + **9.4.**

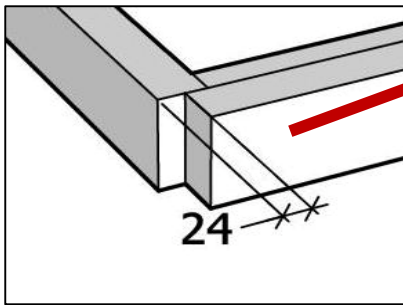
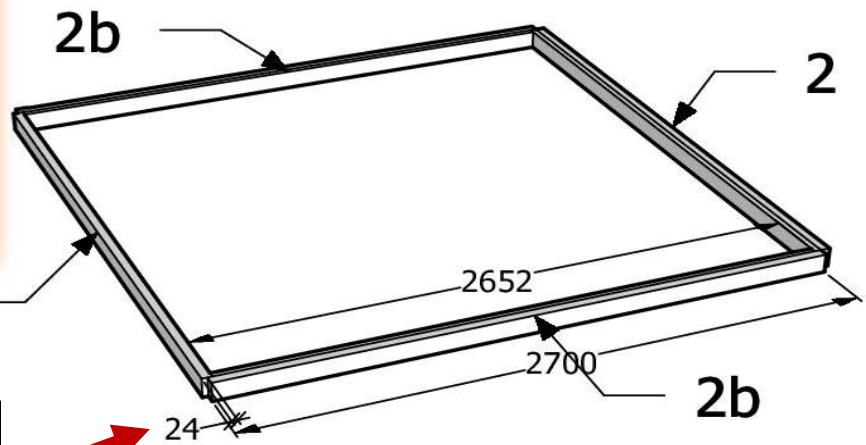
4,5 x 80	8
----------	---

# Garden House Emma Assembly instruction

2/15



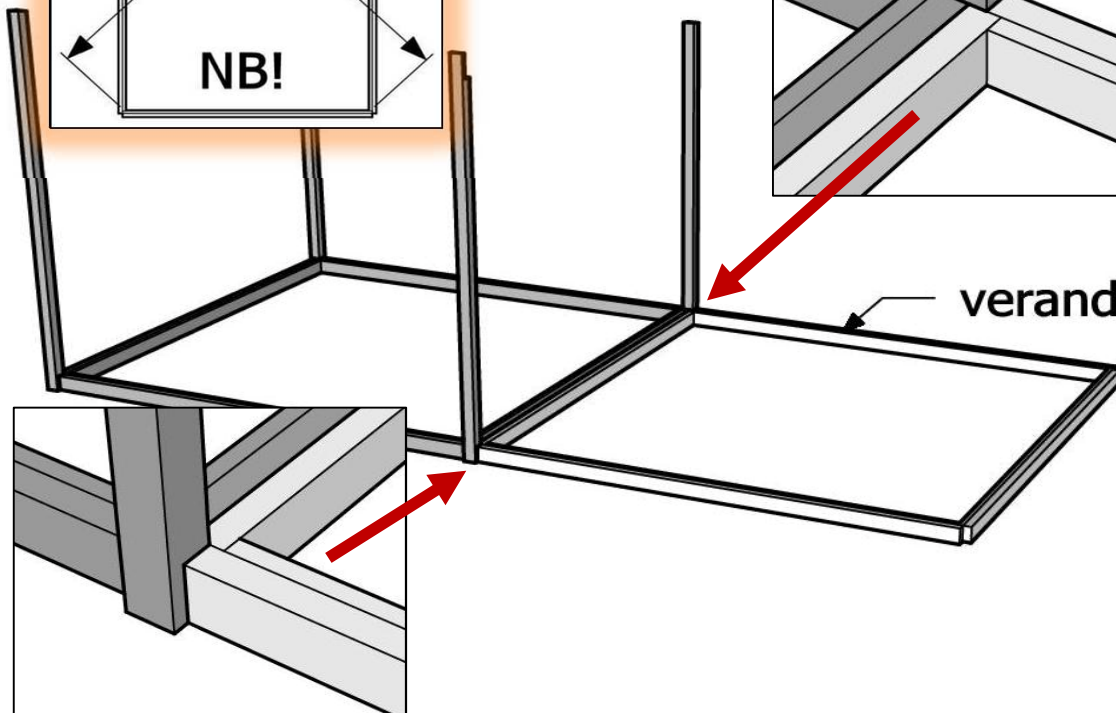
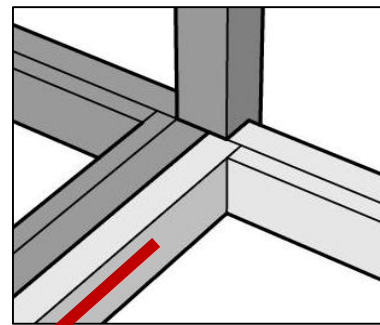
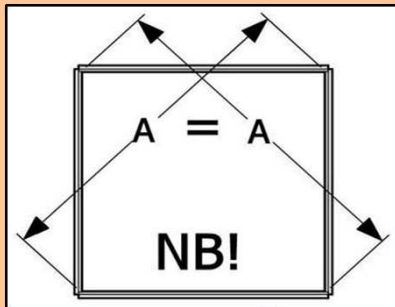
2a



veranda bottom

**2** + **2b** + **2a**

<b>4,5 x 80</b>	<b>8</b>
-----------------	----------

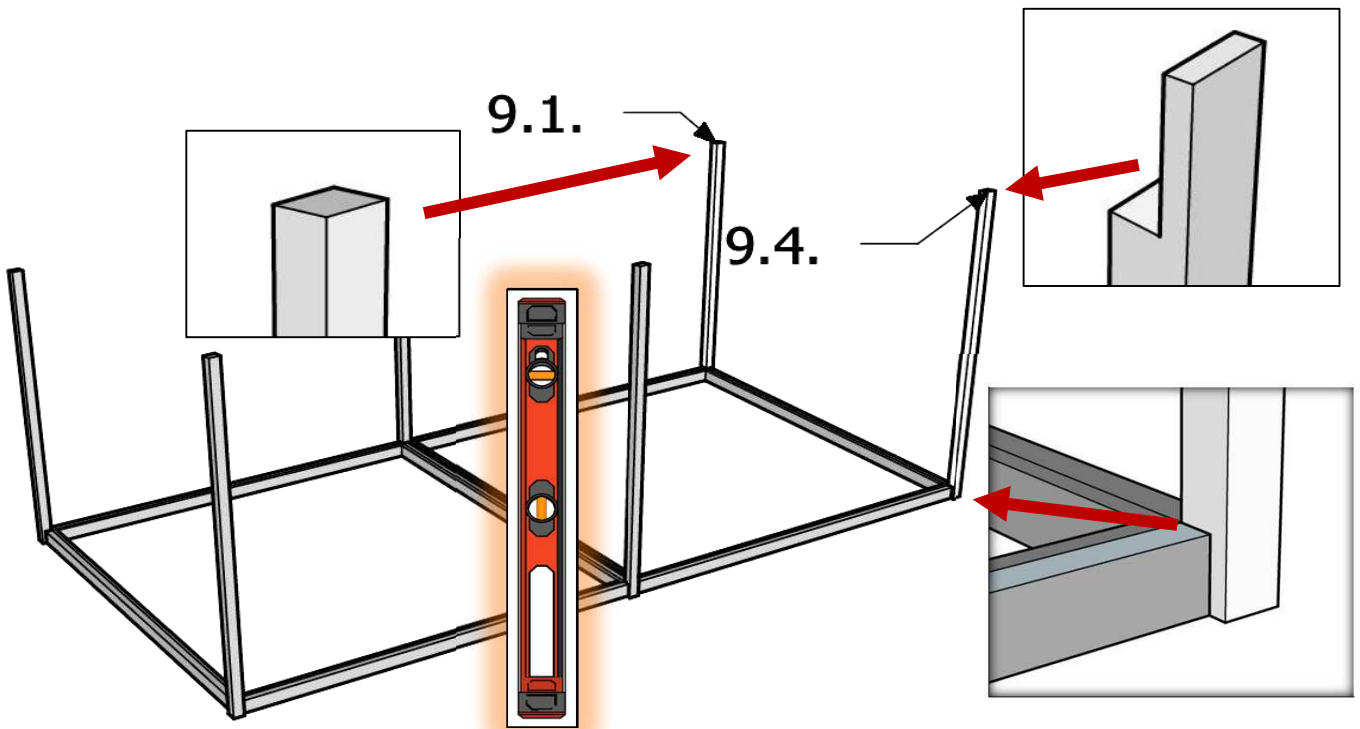


**base bottom** + **veranda bottom**

<b>4,5 x 80</b>	<b>5</b>
-----------------	----------

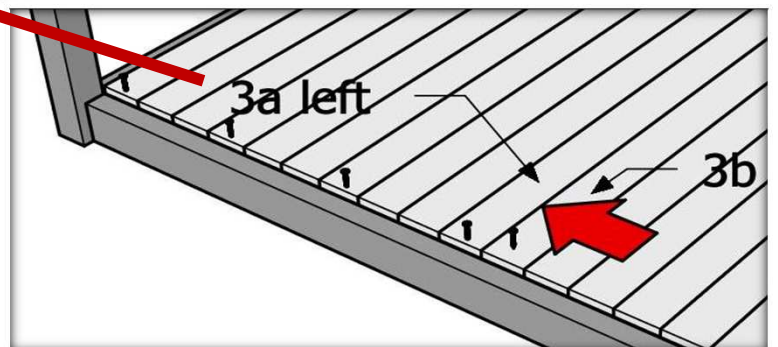
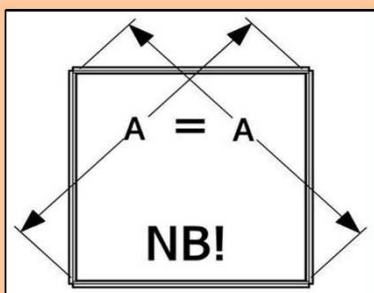
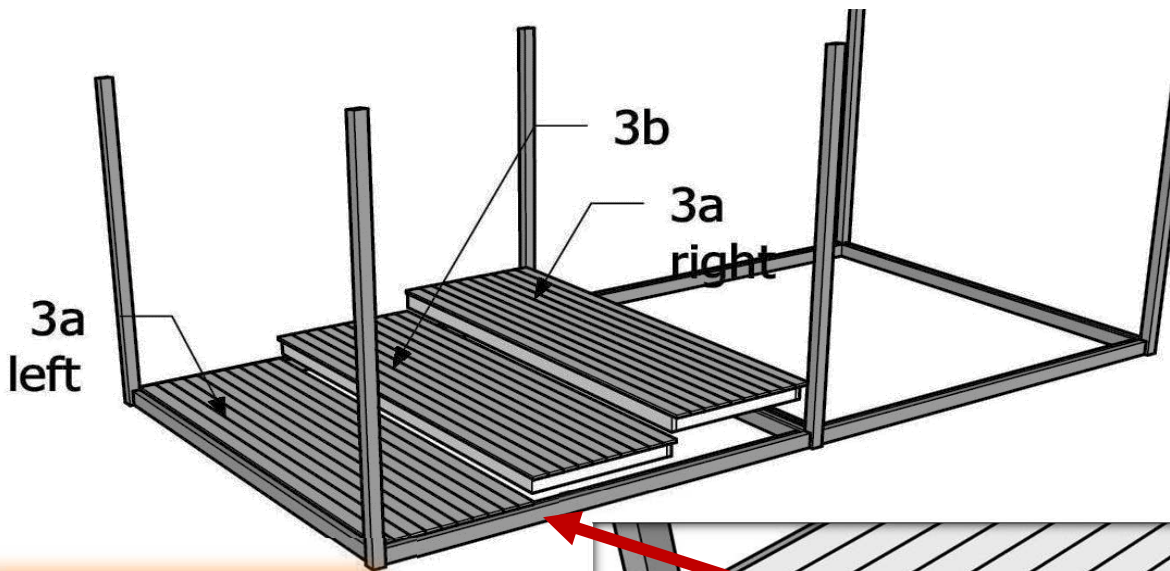
# Garden House Emma Assembly instruction

3/15



**9.1.** + **9.4.**

4,5 x 80	4
----------	---



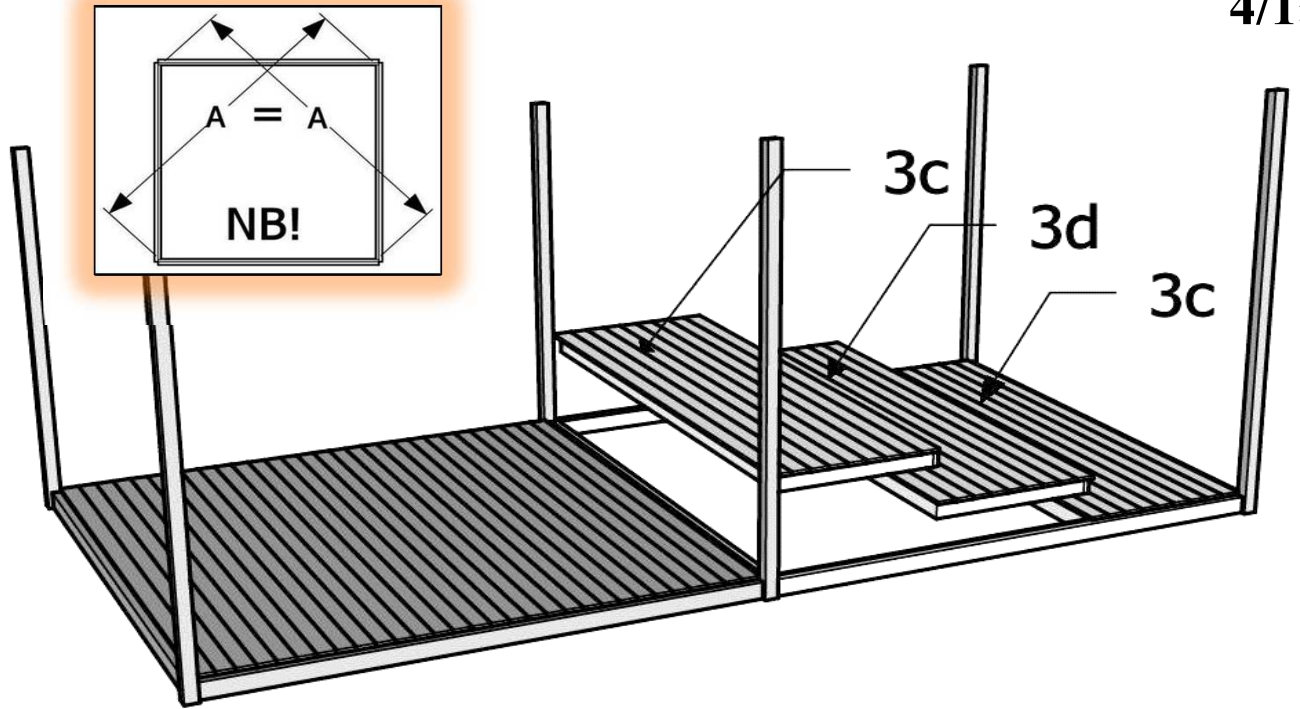
**3aL** + **3b** + **3aR**

3,5 x 40	20
----------	----

# Garden House Emma

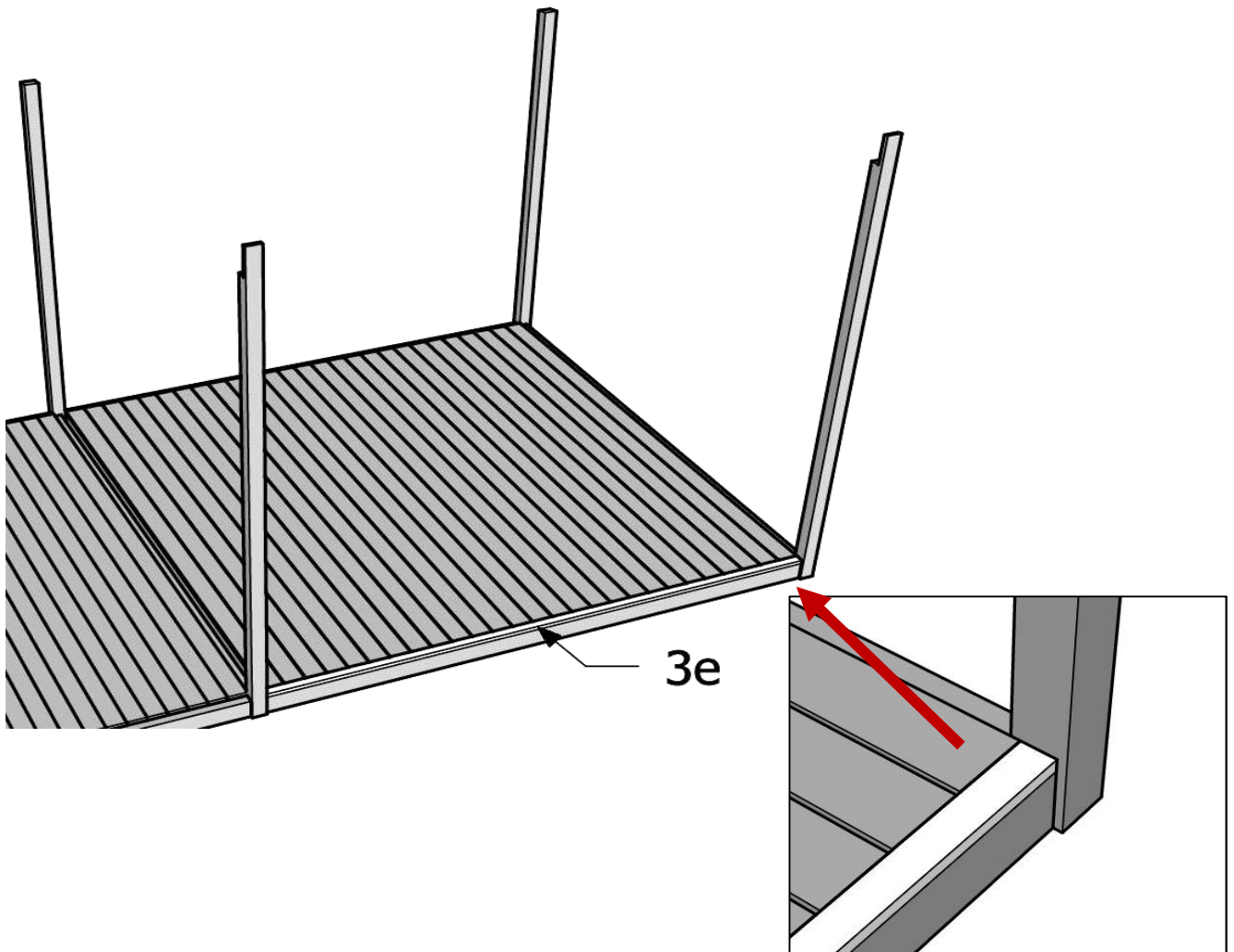
## Assembly instruction

4/15



**3c** + **3d** + **3c**

<b>3,5 x 40</b>	<b>20</b>
-----------------	-----------

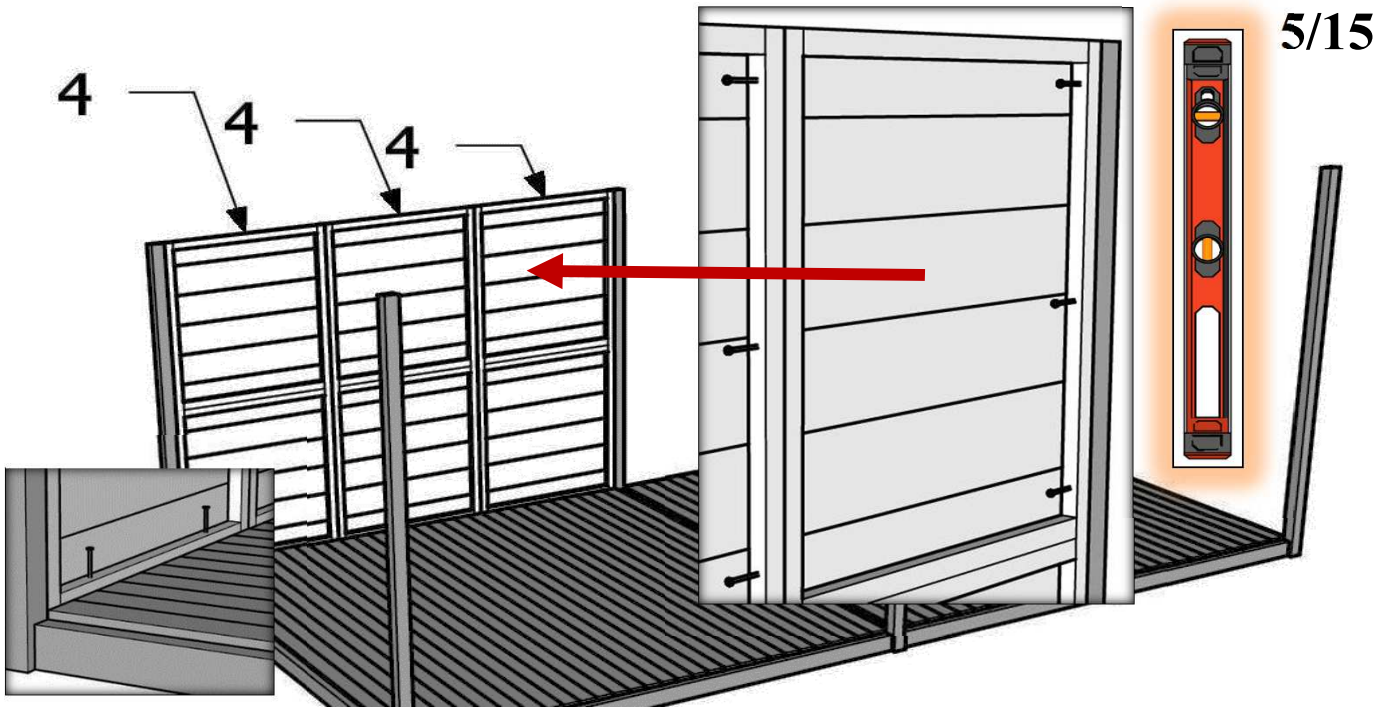


+ **3e**

<b>3,5 x 40</b>	<b>6</b>
-----------------	----------

# Garden House Emma

## Assembly instruction

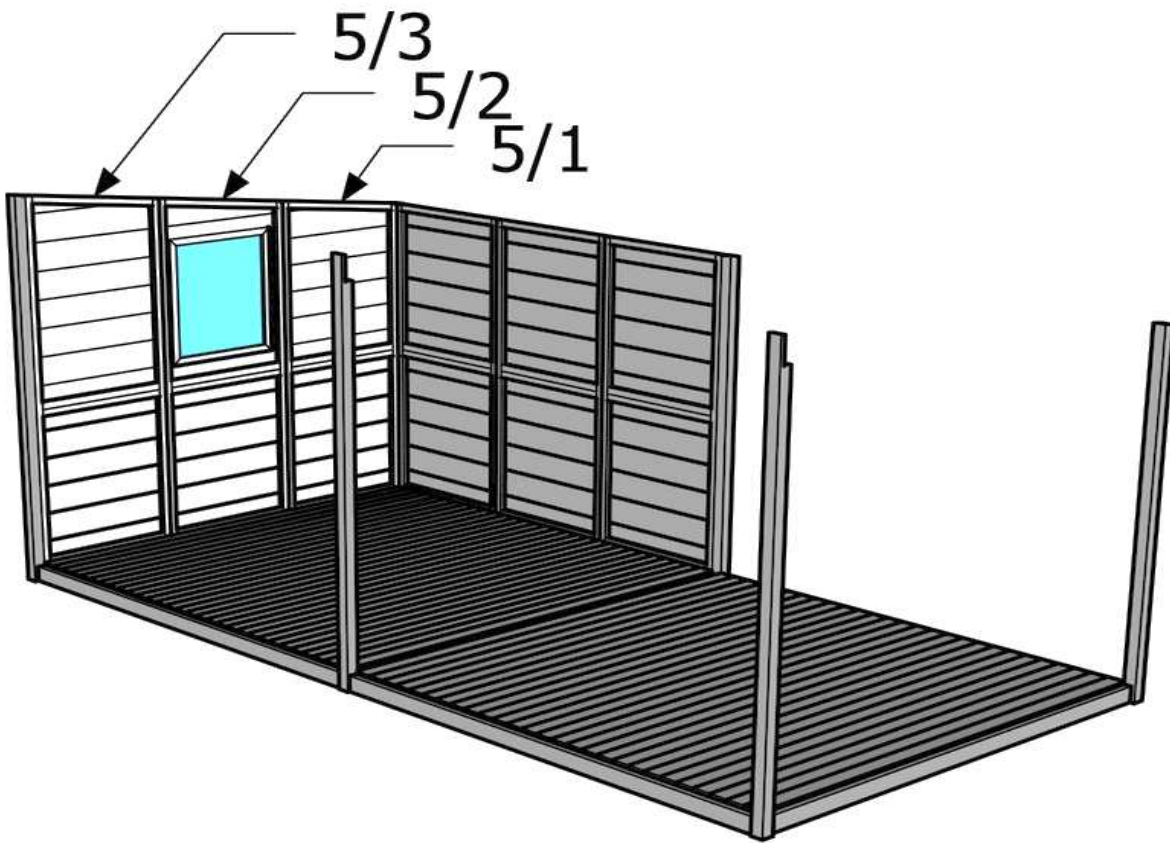


between  
bottom

+

**4**

4,5 x 80	16
4,5 x 80	6



**5/1**

+

**5/2**

+

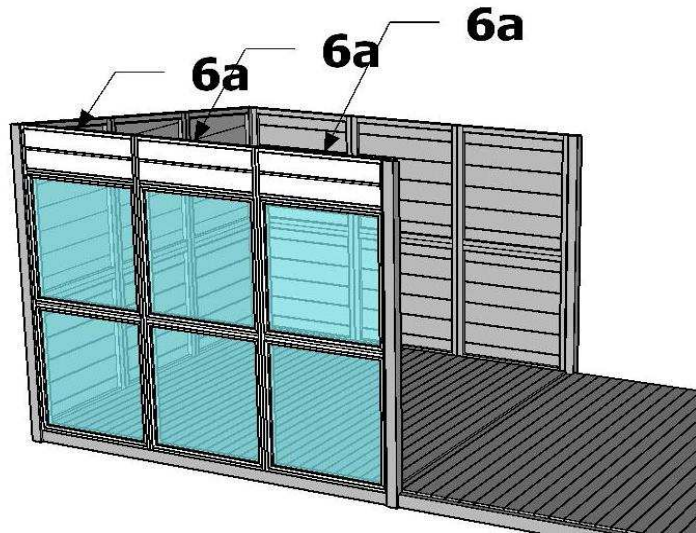
**5/3**

4,5 x 80	16
4,5 x 80	6

# Garden House Emma

## Assembly instruction

6/15

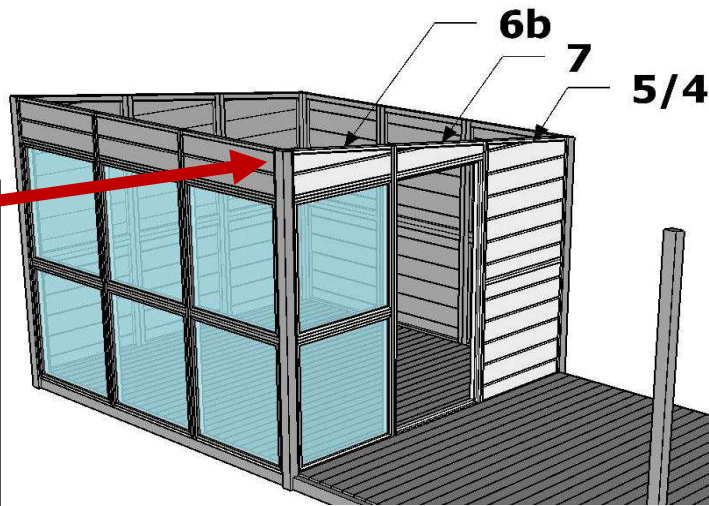
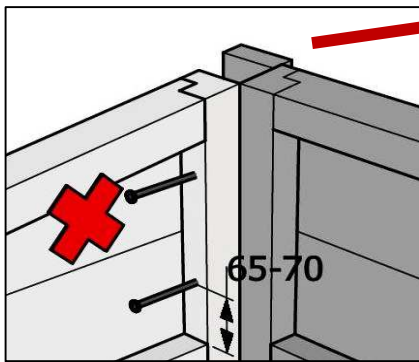


between  
bottom

+

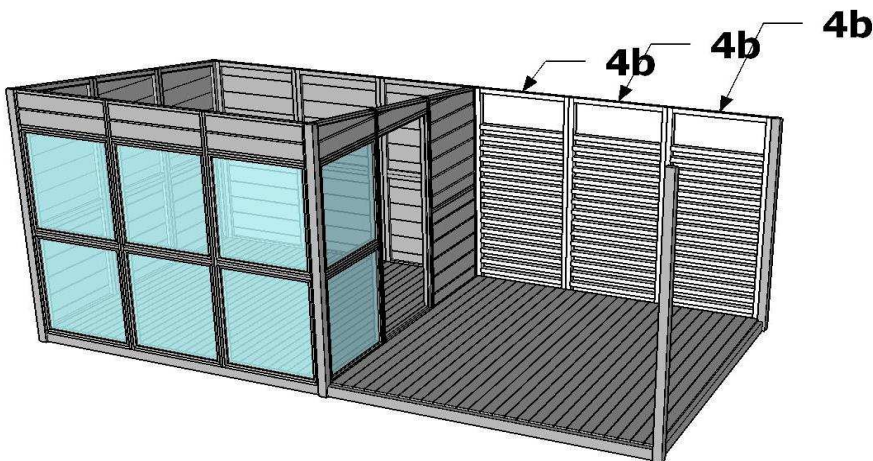
**6a**

4,5 x 80	16
4,5 x 80	6



**6b** + **7** + **5/4**

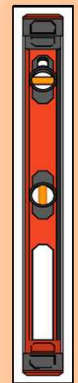
4,5 x 80	11
4,5 x 80	6



+

**4b**

4,5 x 80	16
4,5 x 80	6

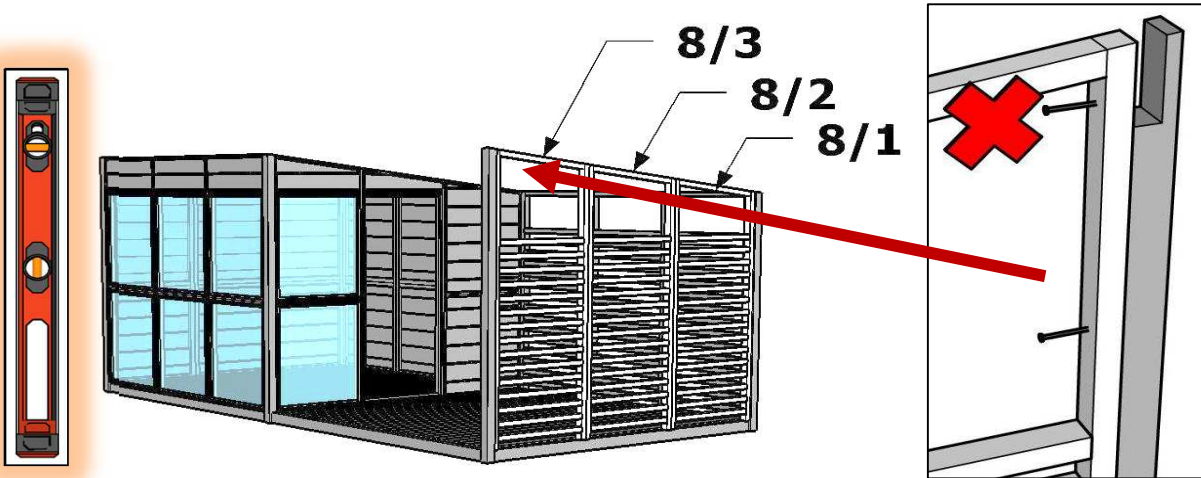




# Garden House Emma

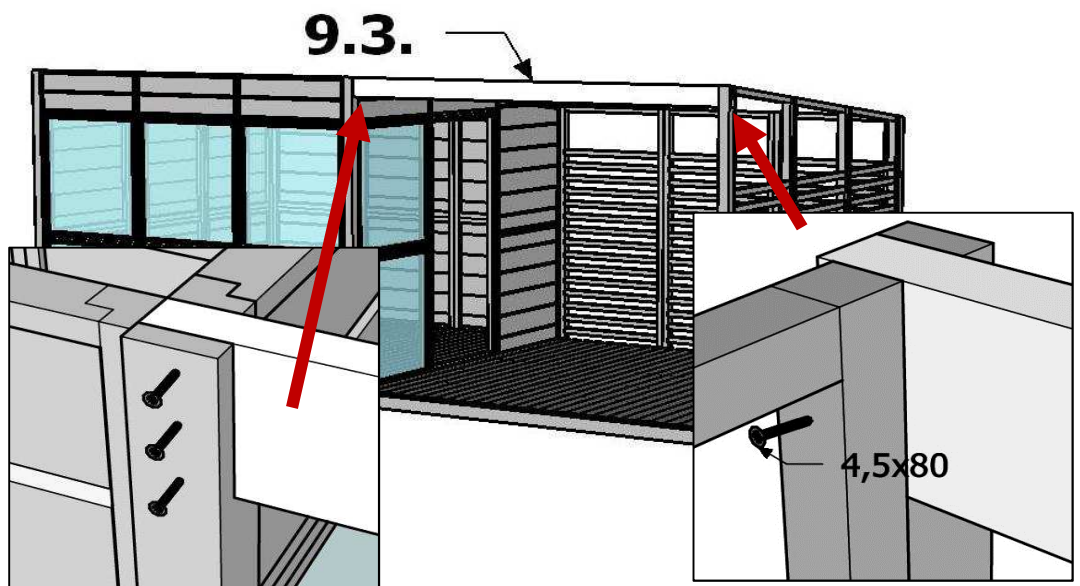
## Assembly instruction

7/15



**8/1** + **8/2** + **8/3**

4,5 x 80	15
4,5 x 80	6

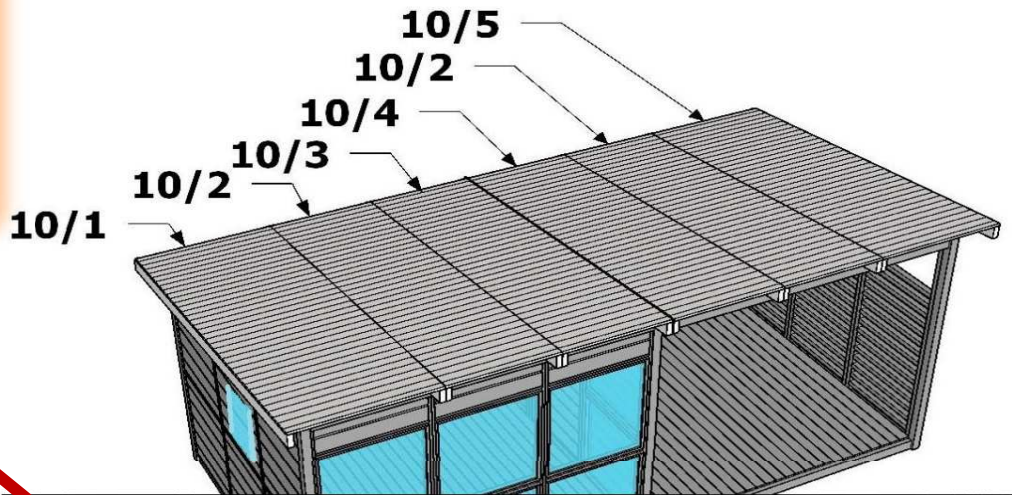
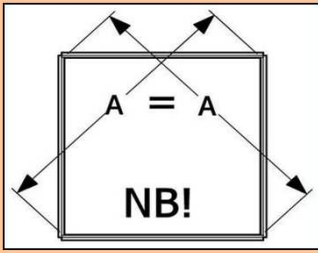


+ **9.3.**

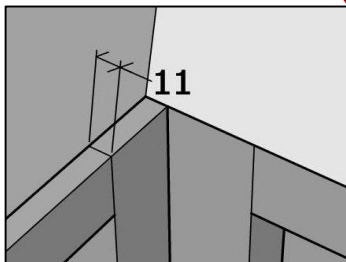
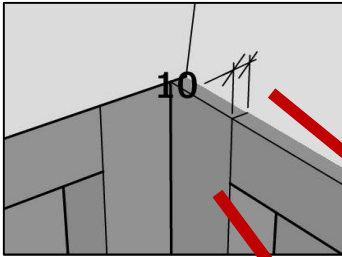
4 x 60	6
4,5 x 80	2

# Garden House Emma Assembly instruction

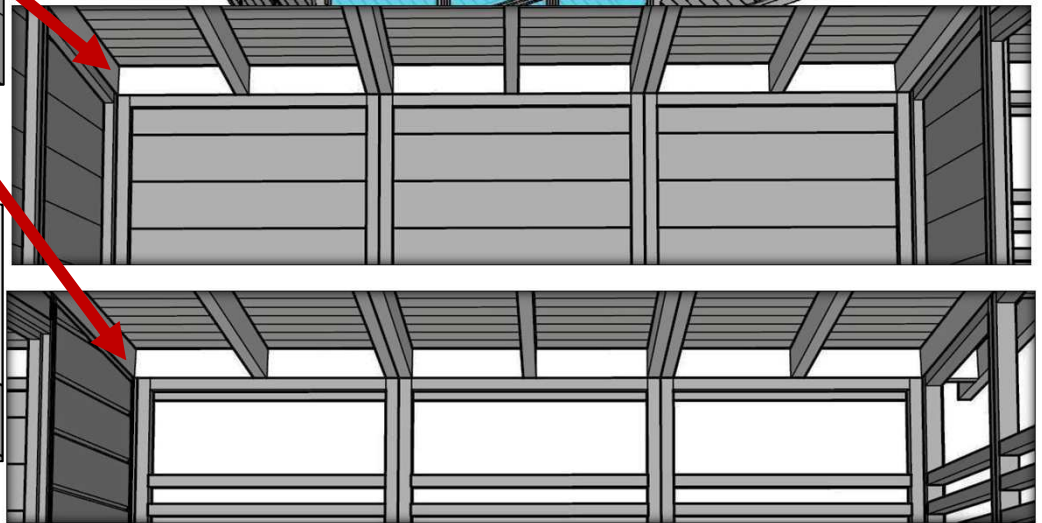
BEFORE!



BACK CORNER

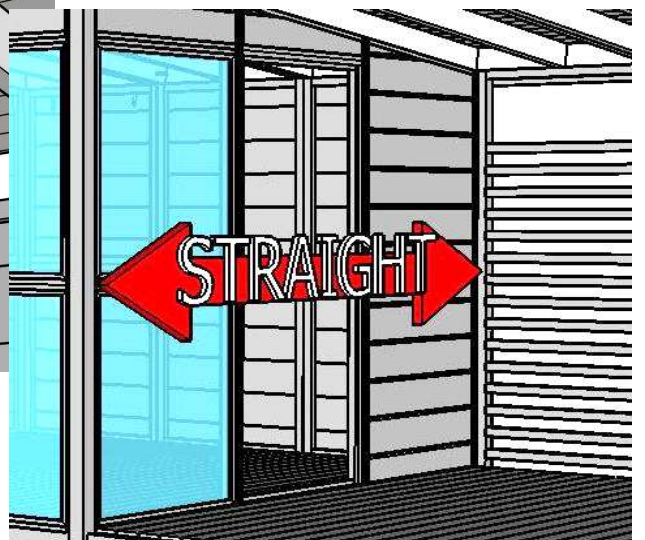
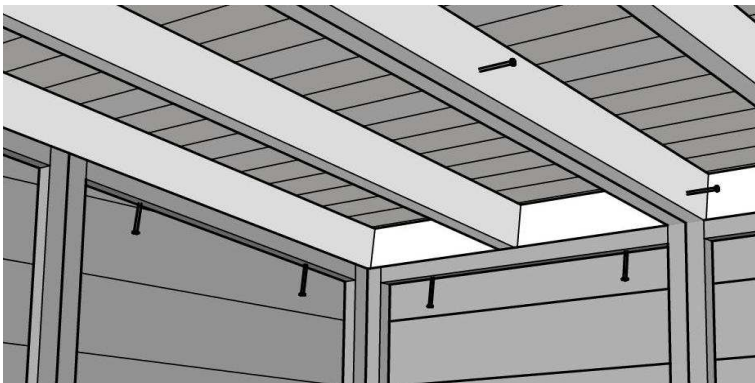


FRONT CORNER

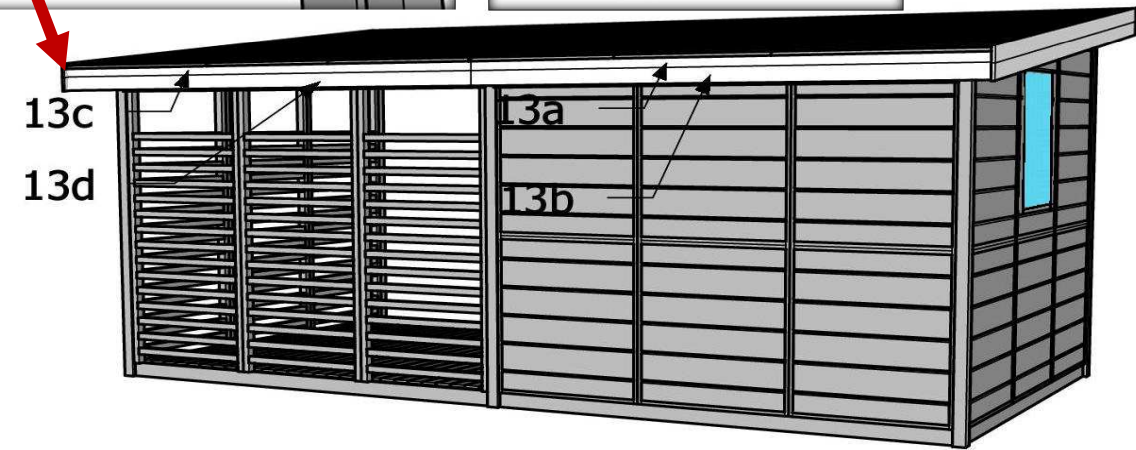
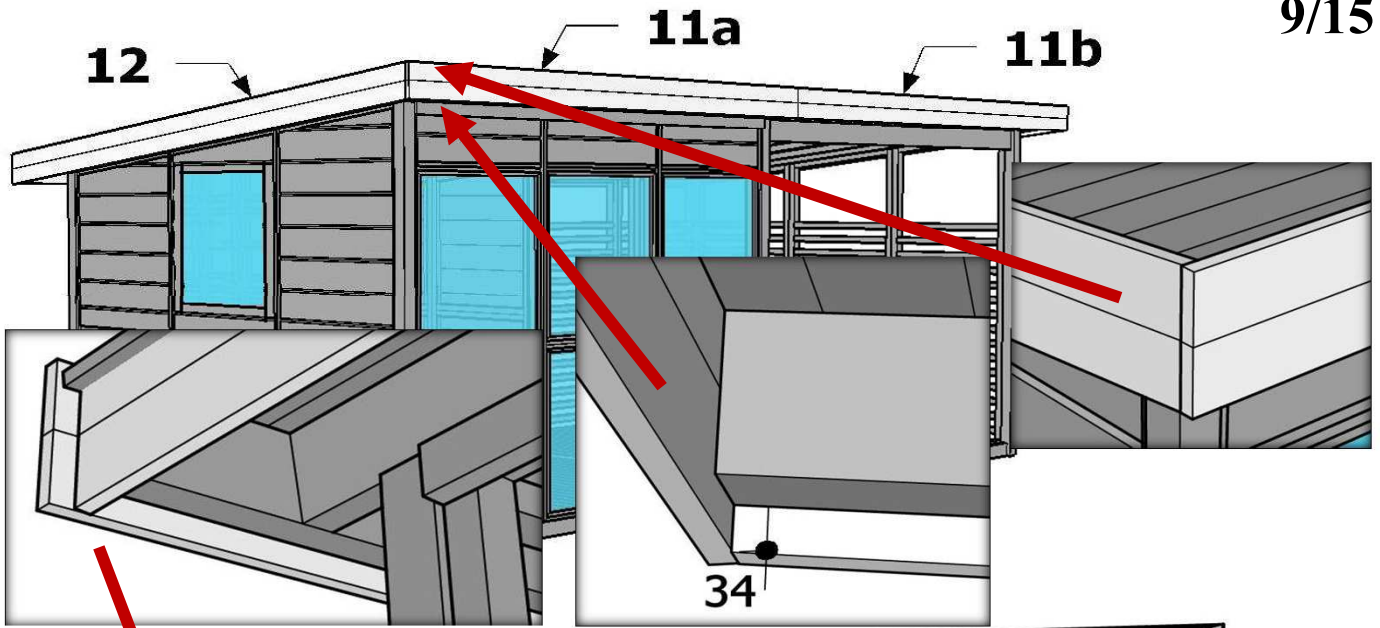


$$\begin{array}{ccccccc}
 & & \boxed{10/1} & + & \boxed{10/2} & + & \\
 \boxed{10/3} & + & \boxed{10/4} & + & \boxed{10/2} & + & \boxed{10/5}
 \end{array}$$

4,5 x 80	62
----------	----



# Garden House Emma Assembly instruction

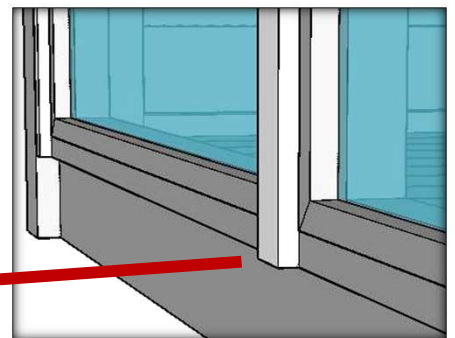
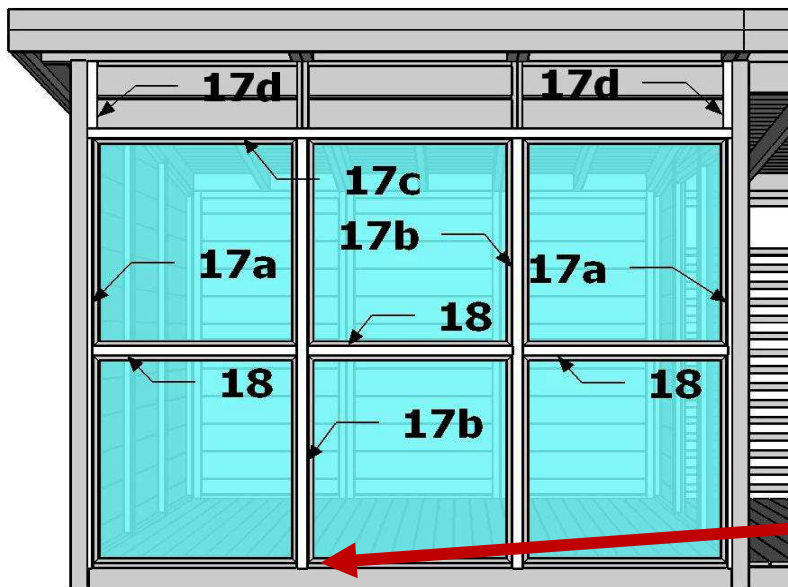


$$\begin{array}{ccccccc}
 \boxed{12} & + & \boxed{11a} & + & \boxed{11b} & + & \\
 \boxed{13a} & + & \boxed{13b} & + & \boxed{13c} & + & \boxed{13d}
 \end{array}$$

3,5 x 40	96
----------	----

**Sequence:**

17a + 18 + 17b + 18 + 17b +  
17a + 18 (cut to right di-  
mension, if it's needed)

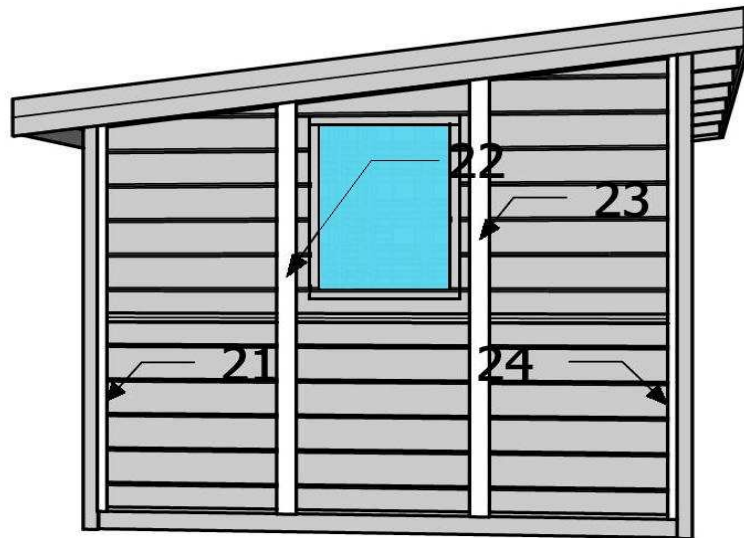


$$\begin{array}{ccccccc}
 & & & & \boxed{17a} & + & \\
 \boxed{17b} & + & \boxed{17c} & + & \boxed{17d} & + & \boxed{18}
 \end{array}$$

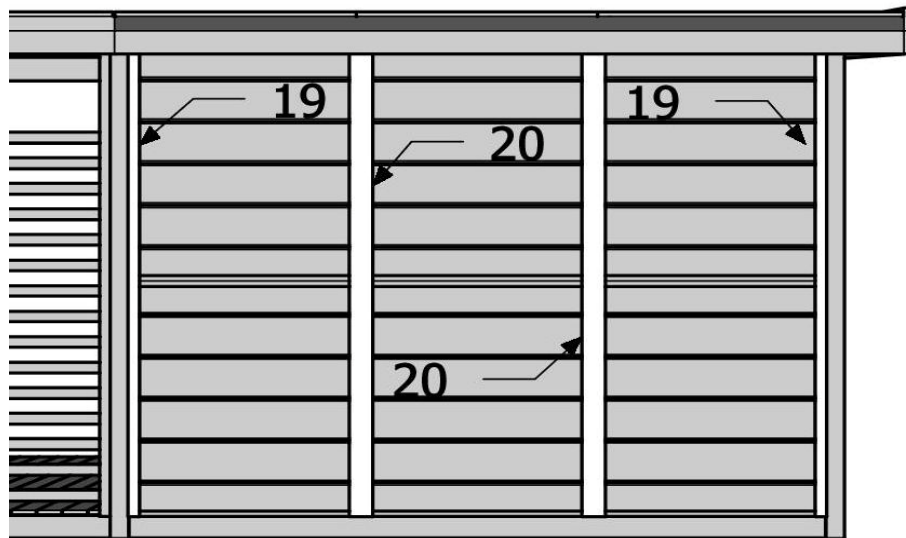
3 x 30	40
--------	----

# Garden House Emma Assembly instruction

10/15



<b>21</b>	<b>+</b>	<b>22</b>	<b>+</b>	<b>23</b>	<b>+</b>	<b>24</b>	<b>3 x 30</b>	<b>28</b>
-----------	----------	-----------	----------	-----------	----------	-----------	---------------	-----------



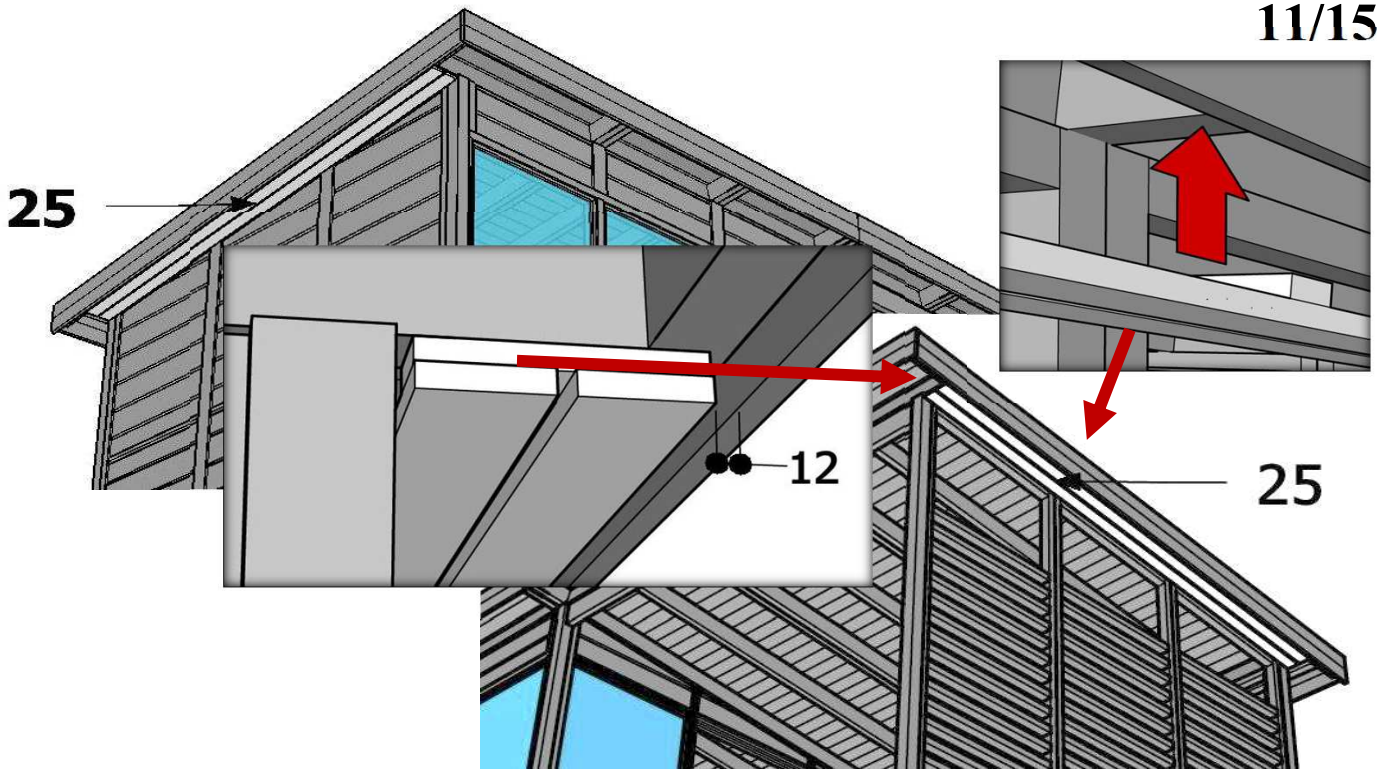
<b>19</b>	<b>+</b>	<b>20</b>	<b>3 x 30</b>	<b>24</b>
-----------	----------	-----------	---------------	-----------



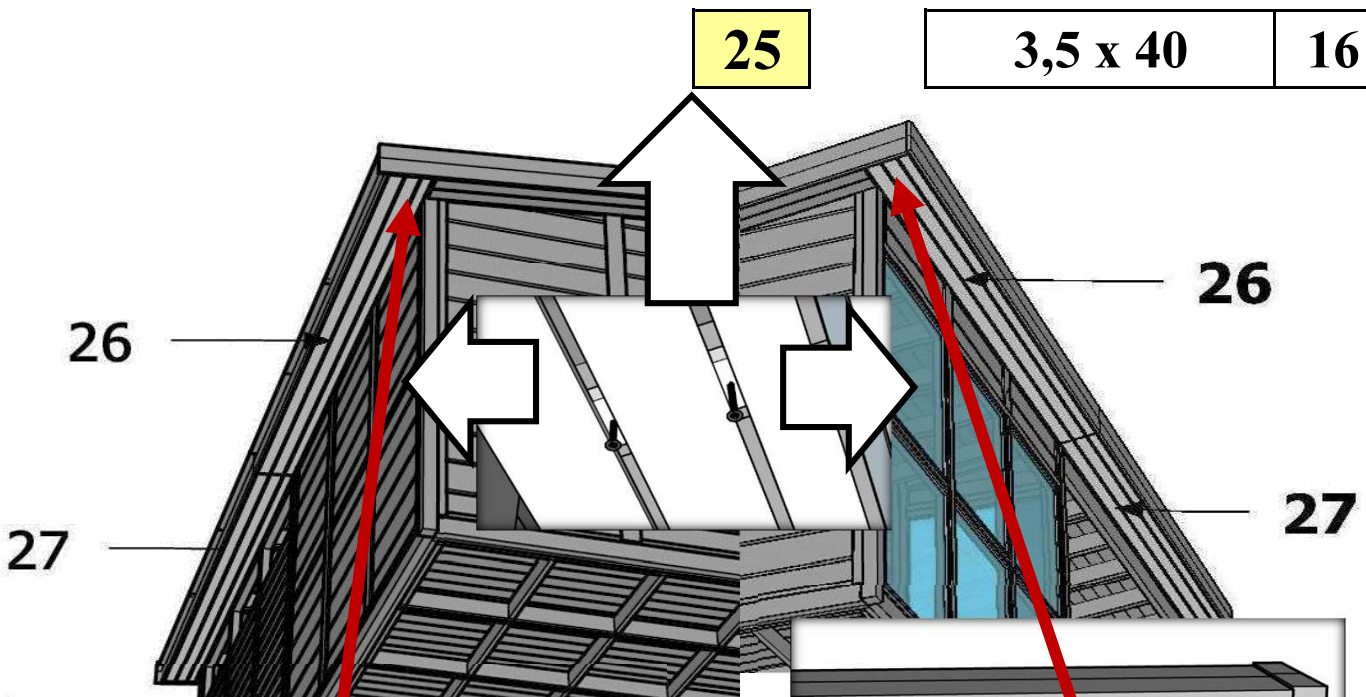
<b>19</b>	<b>+</b>	<b>24</b>	<b>+</b>	<b>18</b>	<b>3 x 30</b>	<b>10</b>
-----------	----------	-----------	----------	-----------	---------------	-----------

# Garden House Emma Assembly instruction

11/15



<b>25</b>	<b>3,5 x 40</b>	<b>16</b>
-----------	-----------------	-----------



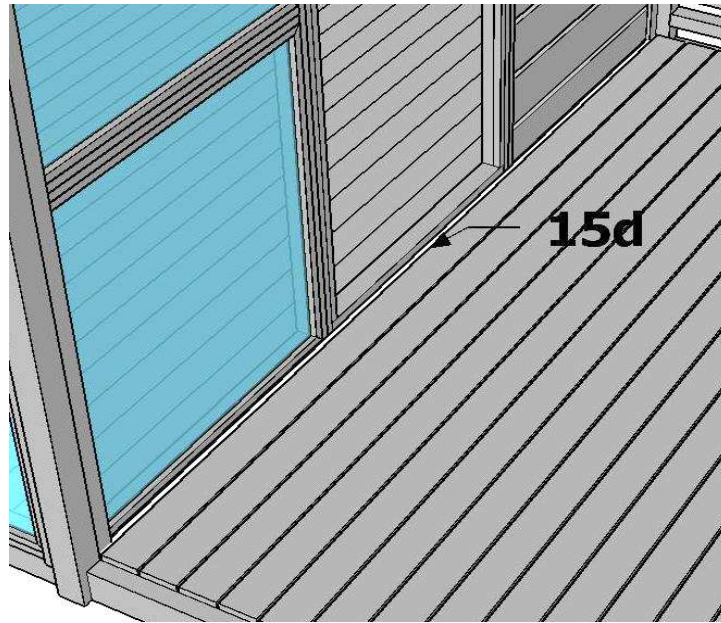
<b>26</b>	+	<b>27</b>
-----------	---	-----------

<b>3,5 x 40</b>	<b>64</b>
-----------------	-----------

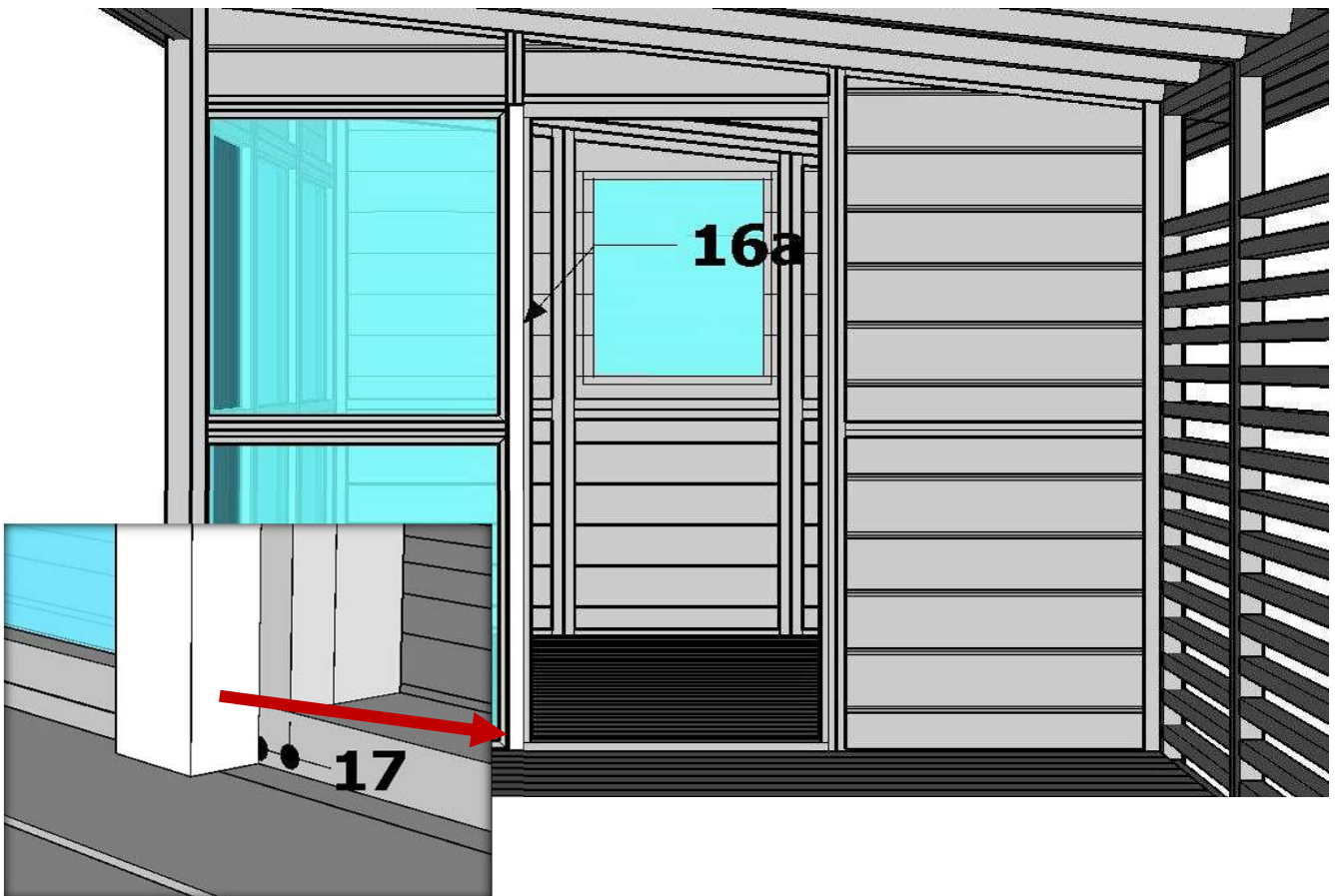
# Garden House Emma

## Assembly instruction

12/15



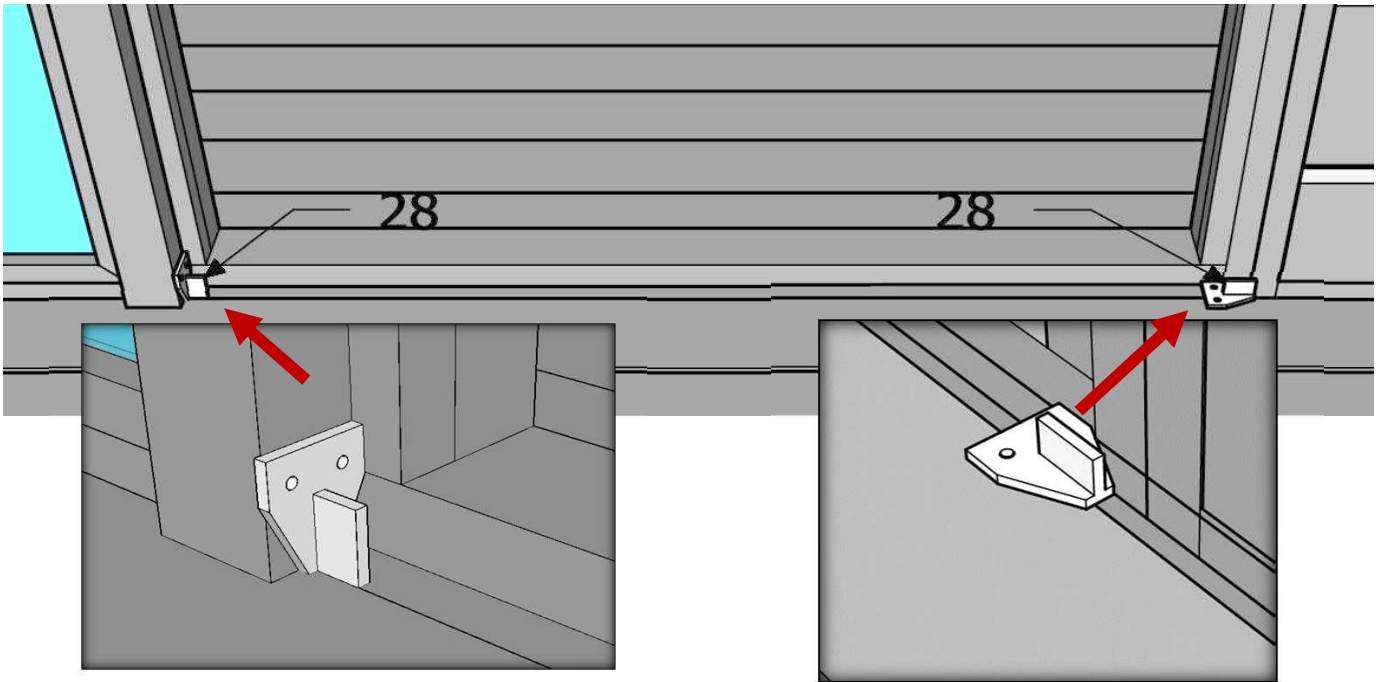
<b>15d</b>	<b>3,5 x 40</b>	<b>4</b>
------------	-----------------	----------



<b>16a</b>	<b>4,5 x 80</b>	<b>4</b>
------------	-----------------	----------

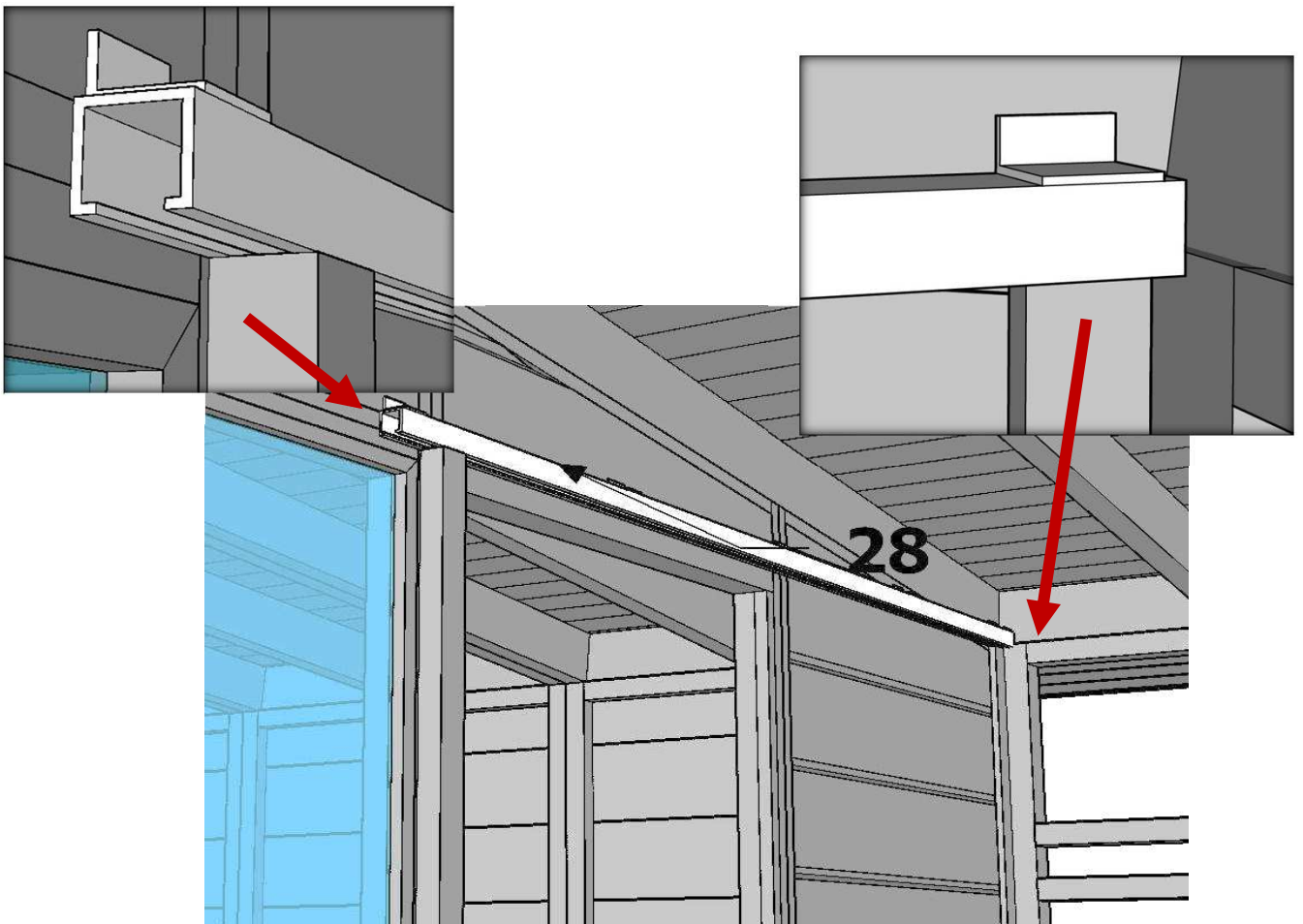
# Garden House Emma Assembly instruction

13/15



28

separate rail kit



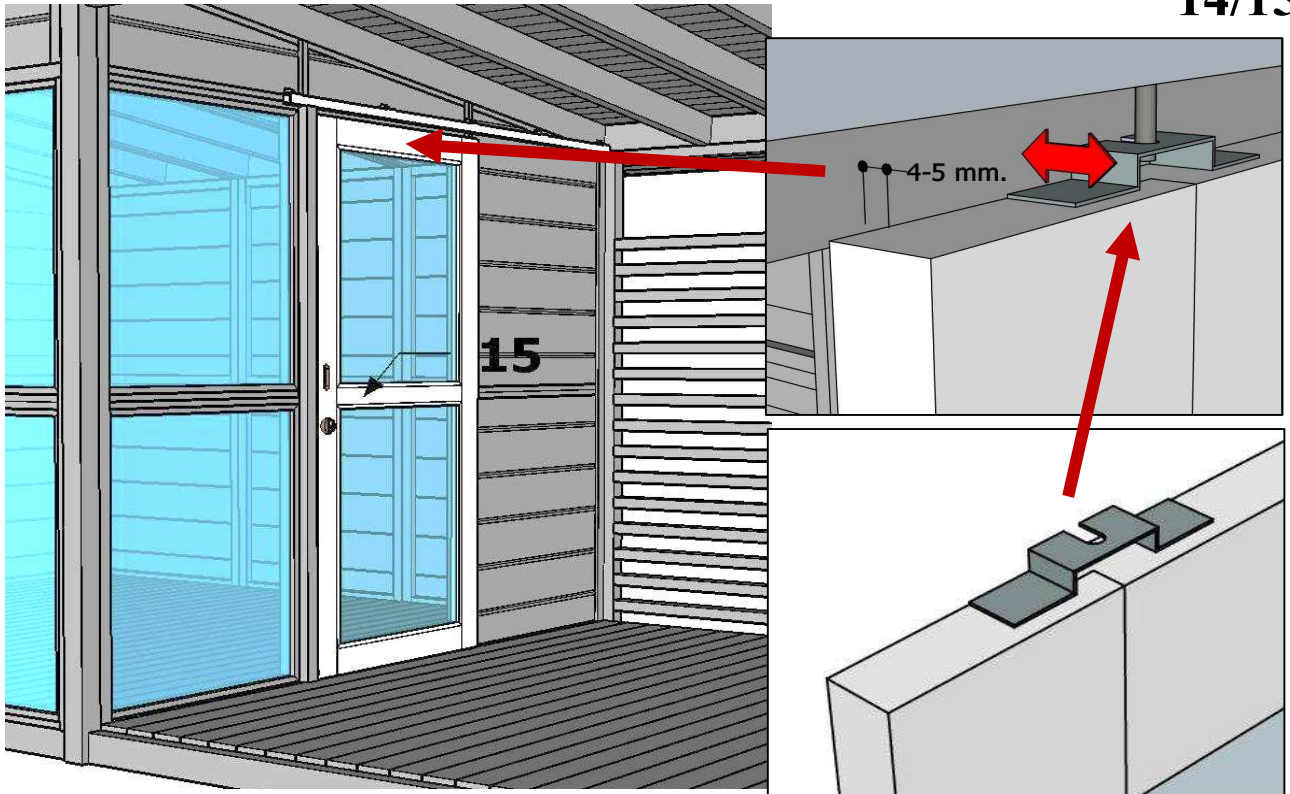
28

separate rail kit

# Garden House Emma

## Assembly instruction

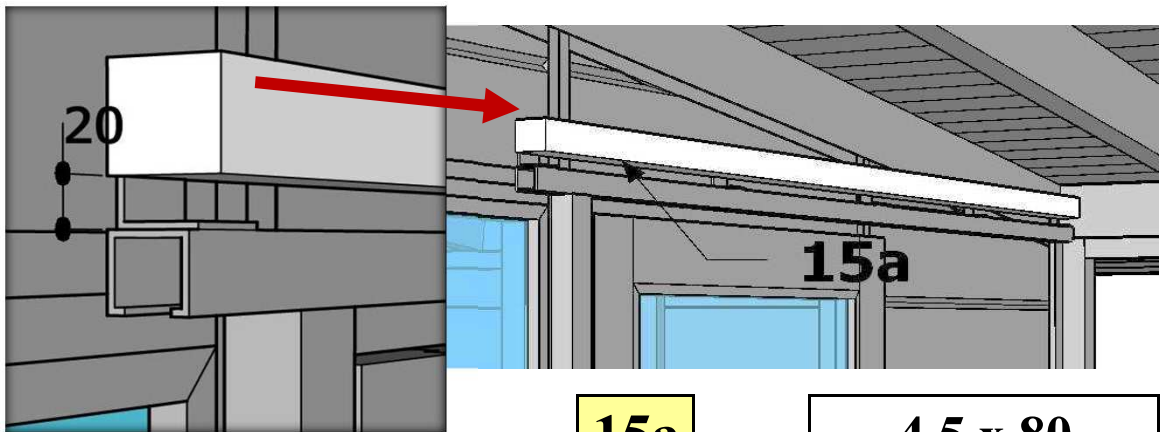
14/15



**15**

Look separate instruction!

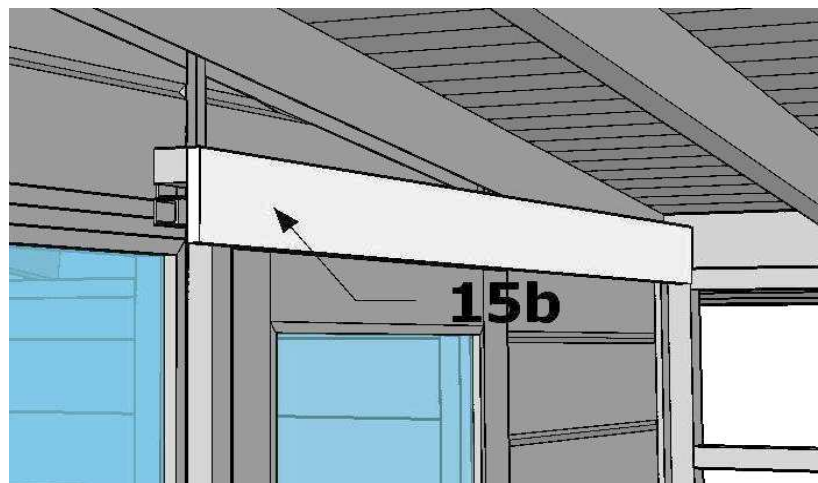
**separate rail kit**



**15a**

**4,5 x 80**

**3**



**15b**

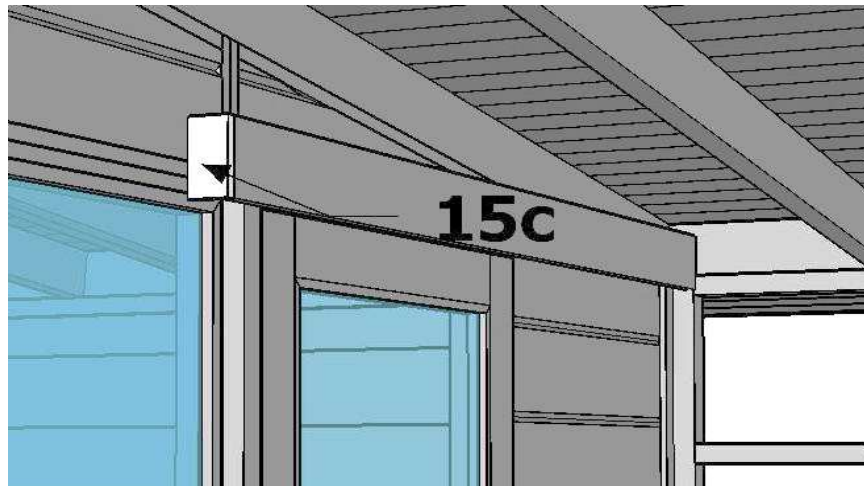
**3,5 x 40**

**6**



# Garden House Emma Assembly instruction

15/15



**15c**

<b>3,5 x 40</b>	<b>2</b>
-----------------	----------