

LEAF TABLE LAMP - EU VERSION

FURNITURE / LIGHTING / ACCESSORIES

BROBERG & RIDDERSTRÅLE ON THE DESIGN "Leaf successfully combines a light and elegant design with an energy-efficient LED technology. Though the design is minimalistic and straightforward, a soft asymmetric geometry gives the lamp an organic and friendly appearance. Depending on the viewing angle and how the shade is turned, the lamp will subtly transform its shape to create a graphic and leaf-like silhouette in the room."

PRODUCT FACT SHEET

PROCESS

Leaf is a result of a process combining turned and casted aluminium parts with a strong powder coating as paint.

DESIGNED BY / YEAR OF DESIGN

Broberg & Ridderstråle / 2012

TYPE

Table lamp

LAMP DESCRIPTION

Leaf is a lamp series with an iconic silhouette in two sizes and a wide range of colors. Leaf uses energy-efficient LED technology and is equally suited for your private home as an office or commercial interior. The lamp's dim function makes it possible to control the light and mood in a room.

ENVIRONMENT

Indoor

CORD LENGTH

1800 mm / 71"

MATERIAL

Aluminium, brass, colored PVC cord.

DIMMABLE FUNCTION

Yes

BULB INCLUDED

Yes

CLEANING INSTRUCTIONS

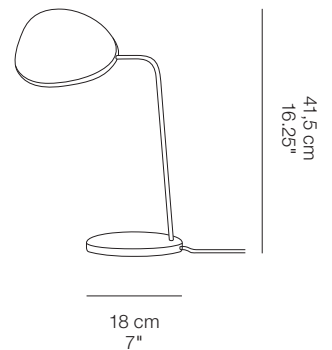
Wipe off dust with dry cloth. If necessary use moist cloth, then dry off. Do not use abrasive cleaning agents.

ABOUT THE DESIGNER

Broberg & Ridderstråle are Swedish design and architectural partners. Their work combines an aesthetic rationality with a touch of humour and wit. Mats Broberg and Johan Ridderstråle have both graduated from Konstfack University of design with honours and have been awarded the Swedish Art Council's working grant. Their work has successfully been exhibited in Tokyo, Milan and London.



15,5 x 18,5 cm
6"x7.25"



LEAF TABLE LAMP - EU VERSION

FURNITURE / LIGHTING / ACCESSORIES

PRODUCT FACT SHEET

BROBERG & RIDDERSTRÅLE ON THE DESIGN "Leaf successfully combines a light and elegant design with an energy-efficient LED technology. Though the design is minimalistic and straightforward, a soft asymmetric geometry gives the lamp an organic and friendly appearance. Depending on the viewing angle and how the shade is turned, the lamp will subtly transform its shape to create a graphic and leaf-like silhouette in the room."

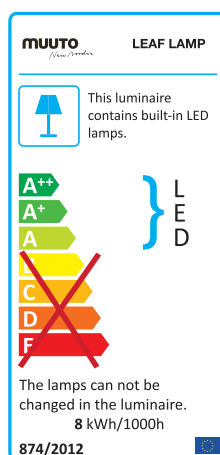
LAMP RATING

VOLTAGE	220-240V
FREQUENCY	50Hz
IP RATING	IP20
CLASSIFICATION	Class II
SOCKET	54 x non-replaceable LEDs (8W)



BULB SPECIFICATION

ITEM	54 x non-replaceable LEDs
WATT	8W
LUMEN	370
KELVIN	2700K
LIFETIME	30.000h
CRI	>80
DIMMABLE	Yes



GENERAL STANDARDS & CERTIFICATES

EU/UK

CE-LVD
EN 60598-1:2014
EN 60598-2-4:1997
EN 62471:2008
EN 62493:2015

Transformer CE/LVD

EN 61347-1:2015+A1:2013+A2:2015
EN 61347-2-13:2006

WEEE

EXTRA

Taiwan
BSMI
CNS14115
IEC60598/2/4
CNS14335

Japan

PSE
IEC 62471:2006