

Birdie



ateljé Lyktan

MEMBER OF THE FAGERHULT GROUP

Minimalism, elegance and simplicity were the key elements in the design of Olle Lundberg's new LED desk lamp, Birdie. The luminaire is based on two sections that are moulded together, with a beautiful finish. There are no fussy details; on the contrary, Birdie is the ultimate in simplicity.

Despite the low power of a 7W LED module, Birdie has a high lumen output and easily meets the high requirements of light output in the workplace. Birdie is equipped with a slide dimmer called a "Sweep Dim", which is situated on top of the lamp housing, and allows you to dim the light from 0-100% to the exact degree. The settings are saved by its memory even after a power cut. "Sometimes technical solutions are truly elegant," says Olle Lundberg. "They create both function and design".



**With its simplicity, elegance
and fine-tuned technical
solutions, Birdie suits all
kinds of environments.**

Technical details



Birdie

Material	Lamp housing made of milled anodised aluminium. Arm in extruded, machined, anodised aluminium. Footplate, table clamp and grommet (accessories) in machined, anodised and chromed steel. Floor stand (accessory) in chromed metal.
Installation	The luminaire is purchased on separate article numbers and assembled with the required accessories (order separately, see the article list with accessories).
Connection	2 m transparent halogen-free feed cable with Plug-in driver connected to the outlet.
Colour	White RAL9016 or Graphite-black RAL9011, gloss number 30.
Light source	Incl. Samsung LED light source, colour temperature 3000K. Colour rendering CRI min. 80. Chromaticity tolerance 3 SDCM. Rated lifetime: L70 50 000h.
Light scattering	Light control 0-100% via the sensor surface placed on top of the lamp housing, so called Sweep-Dim. On/off via the same sensor surface. Set value is retained after power failure. Compliant with the international standard EN 12464-1 regarding luminance of at least 500 lux on workspace.

Design by Olle Lundberg



Description	LxWxH (mm)	Luminaire power	Luminaire luminous flux	Luminaire luminous efficacy	Art.no.	Colour
Birdie Table	100x76x11	LED 7W	511 lm	73 lm/W	204304	White
Birdie Table	100x76x11	LED 7W	511 lm	73 lm/W	204305	Black
Accessories	Ø (mm)				Art.nr.	Colour
Footplate	160				204306	White
Footplate	160				204307	Black
Table clamp, table thickness 10-45 mm					204308	Chrome
Table grommet, table thickness 17-45 mm, hole Ø26 mm					204309	Chrome
Floor stand					201922	Chrome



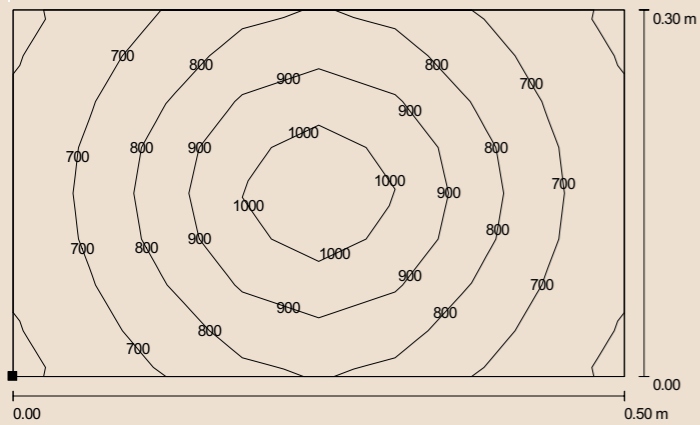
LED light source from Samsung.



Light control 0-100% via the sensor, so called "Sweep-Dim". On/off via the same sensor surface.

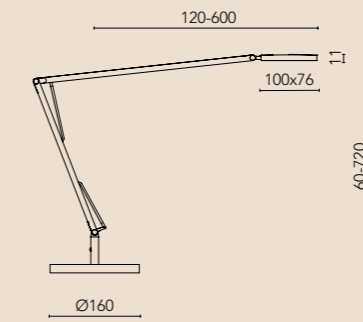


Footplate covered with felt.

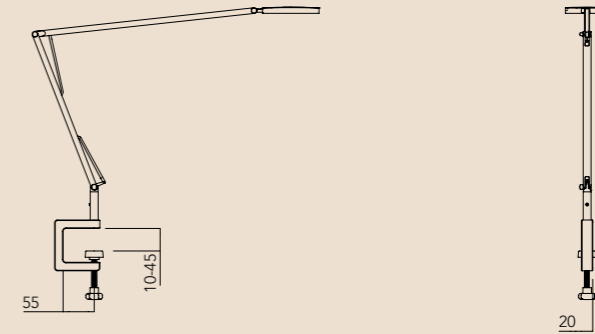


Calculating plane:
E_{med}: 798
E_{min}: 596
E_{max}: 1129

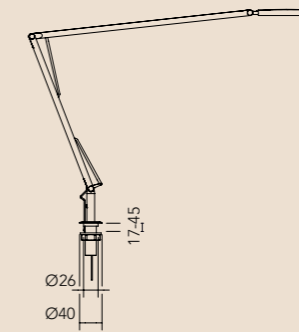
With footplate



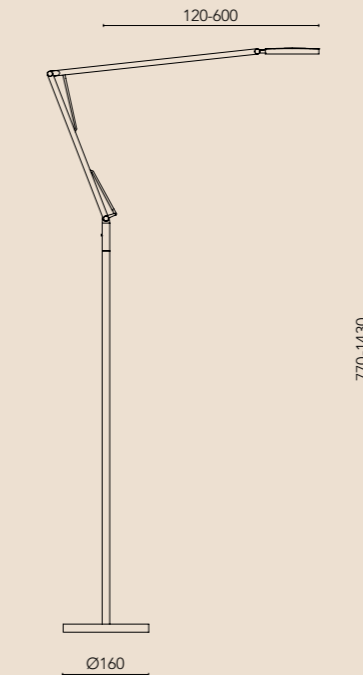
With table clamp



With grommet



Floor



Birdie consists of lamp housing in die cast aluminium and arms in aluminium, anodised in graphic white or graphite black. The base is made of steel. Accessories include a floor stand, desk clamp and desk bushing, all in chromed metal. "With the help of various accessories, you can create the model you want", says Product Manager Stefan Carlsson.

With its simplicity, elegance and fine-tuned technical solutions, Birdie suits all kinds of environments. "Birdie is a modern day product" states Olle Lundberg.



Head office

Fyrvaktaregatan 7, SE-296 81 Åhus, Sweden
Phone: +46 (0)44 28 98 00 Fax: +46 (0)44 28 98 38
E-mail: info@atelje-lyktan.se

Offices

Stockholm
Hesselmans Torg 9, SE-131 54 Nacka

Göteborg
Sofierogatan 3A, SE-412 51 Göteborg

Malmö
Slussgatan 10, SE-211 30 Malmö

Boden
Pontonjärvägen 10, SE-961 43 Boden

www.atelje-lyktan.se/en