

Pallas

DESIGNED BY FORMFJORD

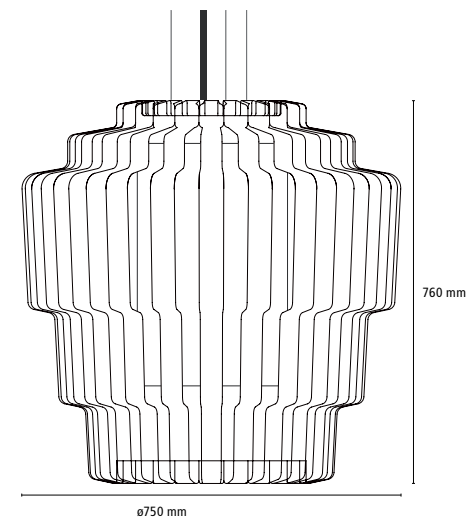
LIGHT
YEARS

31
W/O V2





Pallas is a contemporary large room pendant with a unique character inspired by historic chandeliers. With its substantial size, the Pallas pendant is made to illuminate grand architectural projects like lobbies, airports, theaters and museums. The vertical lasercut slits in the shade creates openings for the light and creates a sophisticated interplay of light and shadow. The horizontal layers gives the pendant a noble and classic touch. Pallas has a remarkable airiness created by the light openings of the pendant. This modern large room pendant is produced in Denmark and delivered four weeks after ordering. Large orders allows you to define the colour of the lamp.



FACTS

SURFACE White or black high-gloss lacquer

MATERIAL Steel, acid treated opal glass

ILLUMINANCE P1

100 lux | H: 2,5 m, 25 lux | H: 5m (CFL 100W | 6700 lm)

36 lux | H: 2,5 m, 9 lux | H: 5m (Incandescent lamp 200W | 2500 lm)

| PRODUCT NAME | PRODUCT CODE | DESCRIPTION | LIGHT SOURCE |
|----------------------------|--------------|---|--------------|
| PALLAS Pendant black- 6 m | 24201008 | Ø750 mm, black lacquer, acid treated opal glass | E27 max 200W |
| PALLAS Pendant white - 6 m | 24200905 | Ø750 mm, white lacquer, acid treated opal glass | E27 max 200W |

*MADE-TO-ORDER. SHIPMENT 4 WEEKS FROM RECEIPT OF FIRM ORDER.