



HANG ON HONEY PENDANT

Hang On Honey Pendant presents an industrial form with an adaptable shell. This reference to industrial pendants of the past is further emphasized by the roughness of raw copper and oxidized aluminium, or simply changed to a striking Jet Black finish. A clever design detail that allows the pendant to adapt and change with its owner.

About the designer Niels Bak Rasmussen

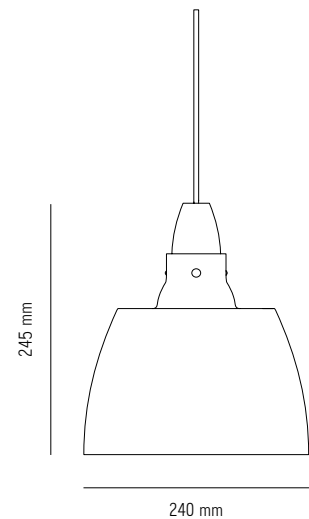
Striving for original design solutions, the work of Niels Bak Rasmussen pushes the boundaries of design and form with a strong reference to his architectural background. His lights and lamps aim not just to illuminate a subject or space, but also to ignite a spark within.

EAN NO	ITEM NO	VARIATION
5712826202104	20210	Jet Black
5712826202111	20211	Oxidized Aluminium
5712826202128	20212	Raw Copper



SPECIFICATION

PRODUCT NAME	HANG ON HONEY PENDANT
DESIGNER	NIELS BAK RASMUSSEN
CATEGORY	LIGHTING
TYPE	PENDANT
MATERIAL	ALUMINIUM / COPPER
COLOR / VARIATION	BLACK / OXIDIZED / RAW COPPER
PRODUCT DIMENSIONS	H 245 MM / Ø 240 MM
PACKAGING DIMENSIONS	H 235 X W 255 X D 255 MM
CORD LENGTH	3400 MM
WEIGHT (INCL. PACKAGING)	1,4 KG
LIGHT SOURCE	E27, MAX 60W (220-240V~50/60 HZ)
BULB	NOT INCLUDED
CERTIFICATION	CE, CLASS II, IP20
COUNTRY OF ORIGIN	CHINA
MASTERPACKAGING	1



CLEANING INSTRUCTIONS/ MAINTANCE & CARE

Turn off the electricity before cleaning the lamp. Wipe lampshade with a soft dry or moist cloth. Do not use any abrasive cleaning tools, and never use strong cleaning agents such as household glass cleaner, white spirit, turpentine.

SAFETY PRECAUTIONS/ ATTENTION

The Hang On Honey Pendant is carefully handcrafted, and therefore every item is unique. It may occur different expression in the material and surface, with smaller marks and minor deviations.

Only use approved light bulb - see following guidance - 220-240V~ 50/60Hz, E27 Max 60W, ESL/CFL Max 13W or LED 11W. Consult a professionally qualified electrician if any doubt. The light bulb gets hot, and the lamp exterior gets hot after prolonged use. The Pendant is only intended for indoor use.



PRODUCT FACT SHEET > LIGHTING > HANG ON HONEY PENDANT

VARIATIONS

JET BLACK



OXIDIZED ALUMINIUM



RAW COPPER

