

StandUp Nomad
Jaswig, 2015

 JASWIG



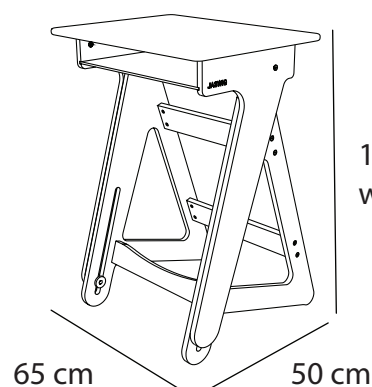
StandUp Nomad

The StandUp Nomad, the first design of Jaswig was called into life to solve a problem. The average person sits for too long while working, in the office or at home. The StandUp is a manually adjustable standing desk that allows standing while working in small compact environments. The design and the sustainable materials make the desk a decorative added value. With the environment in mind the StandUp can easily be assembled and disassembled.

Materials

- The desk is made up out of **FSC** certified Russian **Multiplex Birch** (18mm) of B/BB quality.
- Furniture hardware includes small part of
 - + Aluminium
 - + Polyoxymethylene
 - + Stainless steel
- **Varnish** Hesse UV Base UG 7541

Dimensions



122 - 93 cm
with nine different positions

StandUp Nomad Jaswig, 2015



Weight

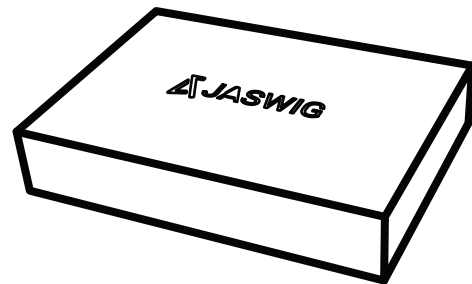
- Netto (kg) 13,9
- Bruto (kg) 17,2

Carrying capacity

We advice to use it responsibly and only use it for desk related activities.
The carrying capacity is limited to **50 kilograms**.

Box

The StandUp Nomad will be delivered in a box at your requested location.
The weight of the box is exactly 3,3 kilogram.
The dimensions are 87,5 x 63 x 16,5 cm.



What's in the box

When opening the box you'll be presented with a **manual** and all the needed instructions for a swift assembly.

