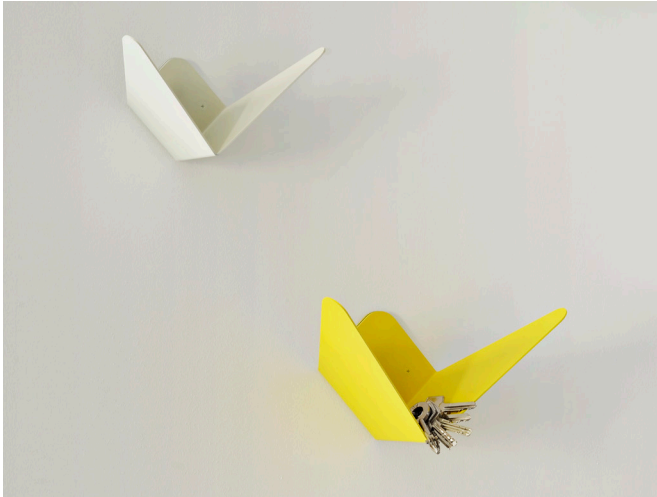


Butterfly

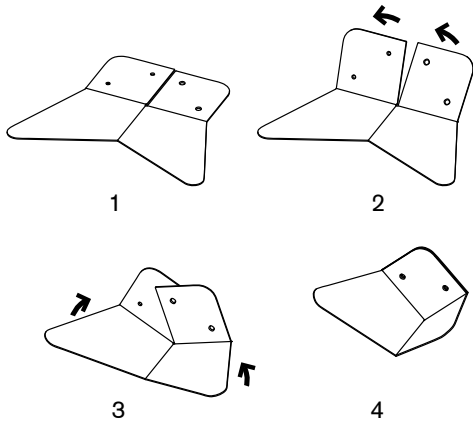
Time wasted on finding keys led to the design of Butterfly. Butterfly is a dual coat hook that keeps your wallet and keys right where you need them.



DATA

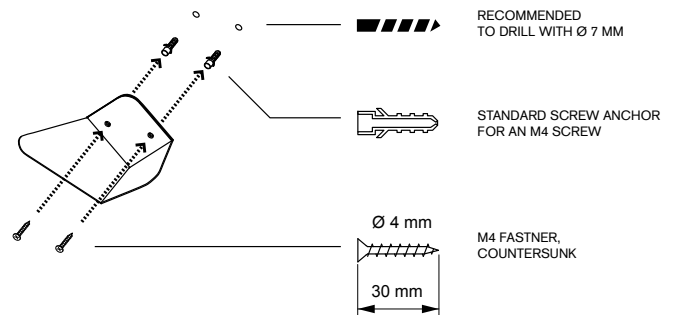
Designer, Year	William Ravn, 2013
Material	Powder coated steel
Colors	White, Black, Yellow, Pink, Mint, Grey, Red
Dimensions	Small: 8,3 x 16,8 x 8,9 cm Large: 10,9 x 21,7 x 11,4 cm
Packaging dimensions	Small: 28,1 x 19,8 x 1,3 cm Large: 35,2 x 23,8 x 1,3 cm
Net/gross weights	Small: 250/320 g Large: 420/510 g

MOUNTING INSTRUCTION



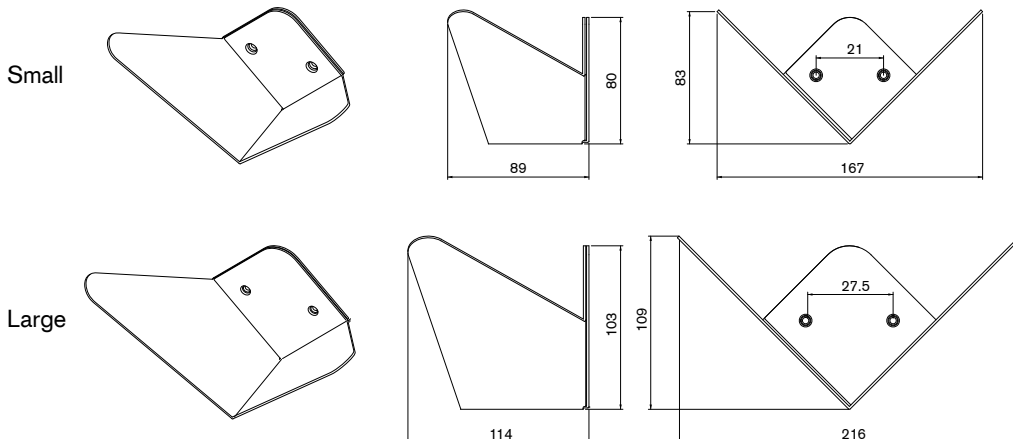
IMPORTANT: ONLY FOLD THE BUTTERFLY ONCE!
DO NOT TRY TO MAKE IT FLAT AGAIN.

FIXING TO A WALL



The screws and plugs provided are universal.
Consult a qualified professional or your local hardware store
for more specified plugs according to your walltype.

DIMENSIONS



CLEANING

Clean surfaces with a dry or damp soft cloth.

Do not use abrasive cleaners.