

# 43" IP65 High Brightness Embedded PC



- Allwinner® V40 Cortex™ A7 QuadCore 1GHz Processor
- 1 GB DDR3 RAM & 8 GB EMMC FLASH
- Supports Android up to version 6.X
- Full HD Resolution – 1920 × 1080
- Comprehensive IP65 protection for applications under harsh circumstances, including water- and dustproof
- 1000+ cd/m<sup>2</sup> brightness for increased visibility
- 2 year guarantee

There are currently two versions for V40 mainboard: The standard version with W-LAN and the full version with additional Bluetooth 4.0, GPS, POE Plug-in and OTG port. This is faytech's powerful Quadcore solution for Android based platforms.

It is the perfect solution for digital signage. By including pre-installed Android 6.0, (Android 4.4 optional), a powerful Allwinner V40 QuadCore CPU, Mali400MP2 graphics chipset, numerous interfaces such as network, HDMI, and 24V DC-In, the Embedded touch PC will be suitable for you.

Each embedded system comes standard with 1 GB DDR3 RAM and 8 GB flash memory and includes an SD card slot for further hard disk expansion. Wi-Fi is integrated, and over MiniPCIe the systems can be upgraded to 3G + GPS using the available SIM card slot.

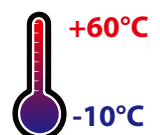
faytech's new Embedded Series is our most cost-effective solution for retail and digital signage solutions.



HIGH BRIGHTNESS



HDMI



<b>Product name</b>	<b>43" IP65 High Brightness Embedded PC</b>
<b>Article code / EAN number</b>	<b>PC430FTV40HBSP / 6920734043804</b>

IP Rating	
	IP65

LCD Panel	
Screen diagonal (Inch/cm)	43/109.22
Display active screen size (cm)	94.09×52.93
Aspect ratio	16:9
Physical resolution	1920×1080
External maximum showable resolution - HDMI	1920×1200
Colours displayed	16.7M
Brightness (cd/m <sup>2</sup> )	1000+
Contrast	3000:1
Typical reaction time Tr/ Tf (ms)	8/8
Visual Angle horizontal/vertical (°)	178/178
Backlight / Backlight Lifetime (hours)	LED / 50,000

Operation / Mechanical	
Operating Temperature (°C)	-10 ~ +60
Humidity Range (RH)	10% - 90%
Net weight (kg)	60.00
Gross weight (kg)	85.00 (incl. cartonnage)
Housing material	Metal
Housing (cm) L × W × H	143.50 × 62.40 × 3.40
Mounting	Aluminum stand

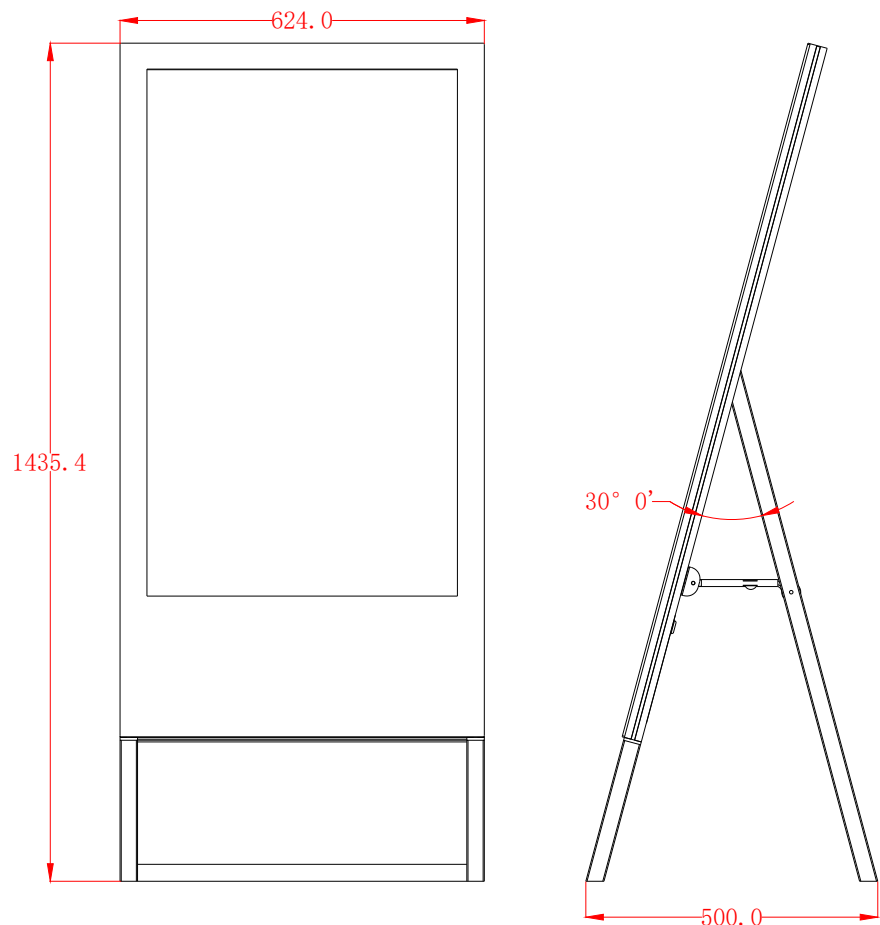
Internal Connectors	
	1x SD-card
	1x SIM-card
	3x Serial
	4x TTL UART
	4x USB 2.0
	1x USB OTG
	12x GPIO
	1x Line-In
	1x Line-Out
	18/24Bit LVDS
	1x Amplifier for 2x 6W loudspeaker
	1x SATA-Port
	1x RTC
	1x CAN bus

PC System	
CPU	Allwinner® V40 QuadCore
Chipset	Cortex A7
Graphic GPU	ARM® Mali400 Mp2 Complies with OpenGL ES 2.0/1.1
Audio	Integrated HI-FI 100dB Audio Codec Dual analog mic. 2x6W amplifier
Memory	1x 1GB DDR3
Storage	8GB EMMC Flash
Network	10M/100M/1000M Network; W-LAN
Driver Support	Android 6.0 / 4.4
Preinstalled OS	Android 6.0 / 4.4

Power	
Power Supply	100-240V ACDC active switching; 24V DC Out
Working Power (V)	24
Power Consumption (W)	70
Stand-By Consumption (W)	<1

External Connectors	
	1x 24V DC-In
	1x HDMI
	1x 10/100/1000Mbit RJ45

Included in the Delivery	
	Power Supply (see Power section)
	Short Installation Manual
	Aluminum Stand



## Corporate Headquarters

**faytech Tech. Co., Ltd.**  
 Building F., Hongmen Tech. Zone,  
 Jihua Rd., Shenzhen, China 518129

[support@faytech.com](mailto:support@faytech.com)  
[contact@faytech.com](mailto:contact@faytech.com)  
[www.faytech.com](http://www.faytech.com)

China: +86 755 89580612  
 Germany: +49 551 82098660  
 USA: +1 646 205 3214