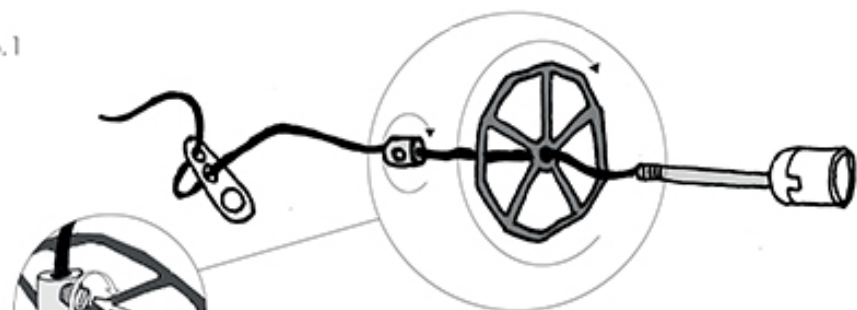


## Horizontal Lampshade

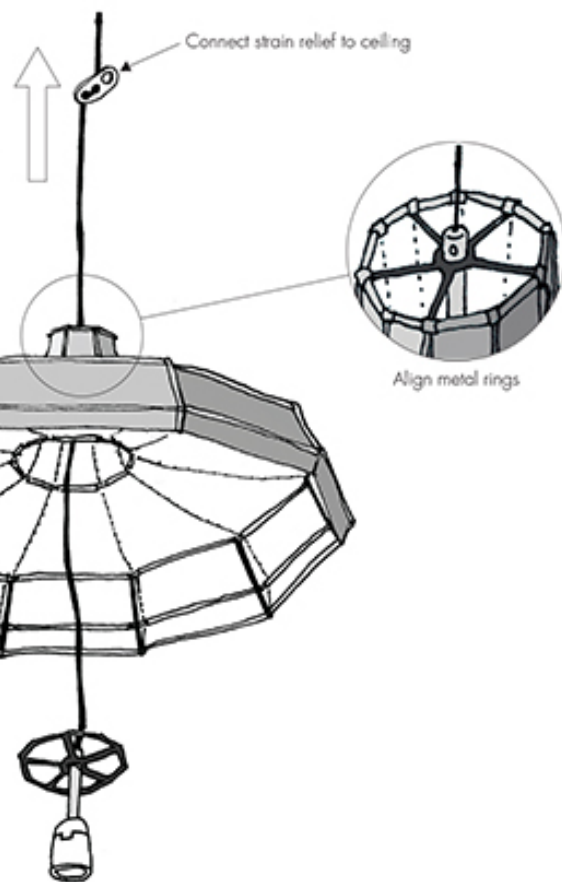
Step. 1



Screw gently

Connect cord set

Step. 2



Connect strain relief to ceiling

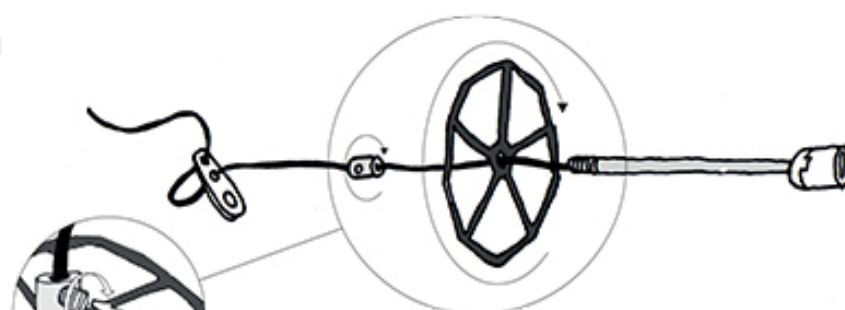
Align metal rings

★Important★

Bring the leather slightly under tension

## Vertical Lampshade

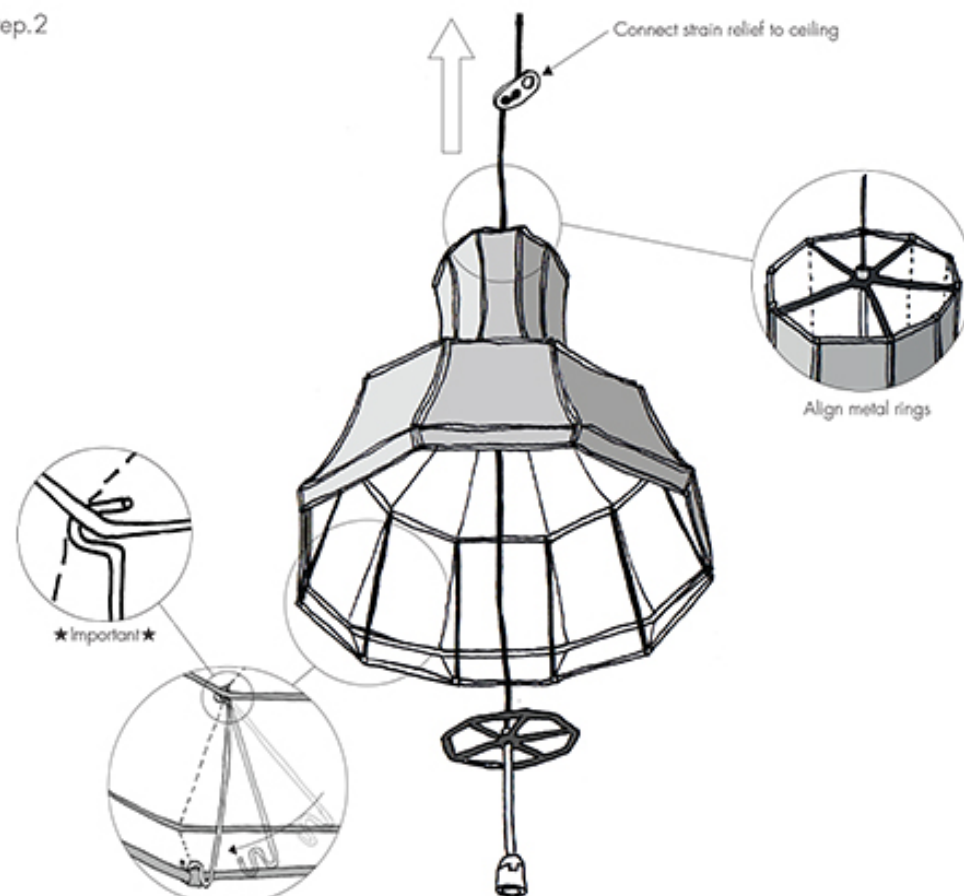
Step. 1



Screw gently

Connect cord set

Step. 2



Connect strain relief to ceiling

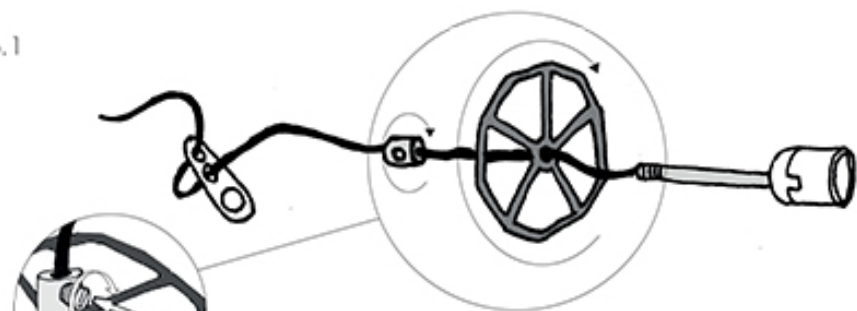
Align metal rings

★Important★

Bring the leather slightly under tension

## Horizontal Lampshade

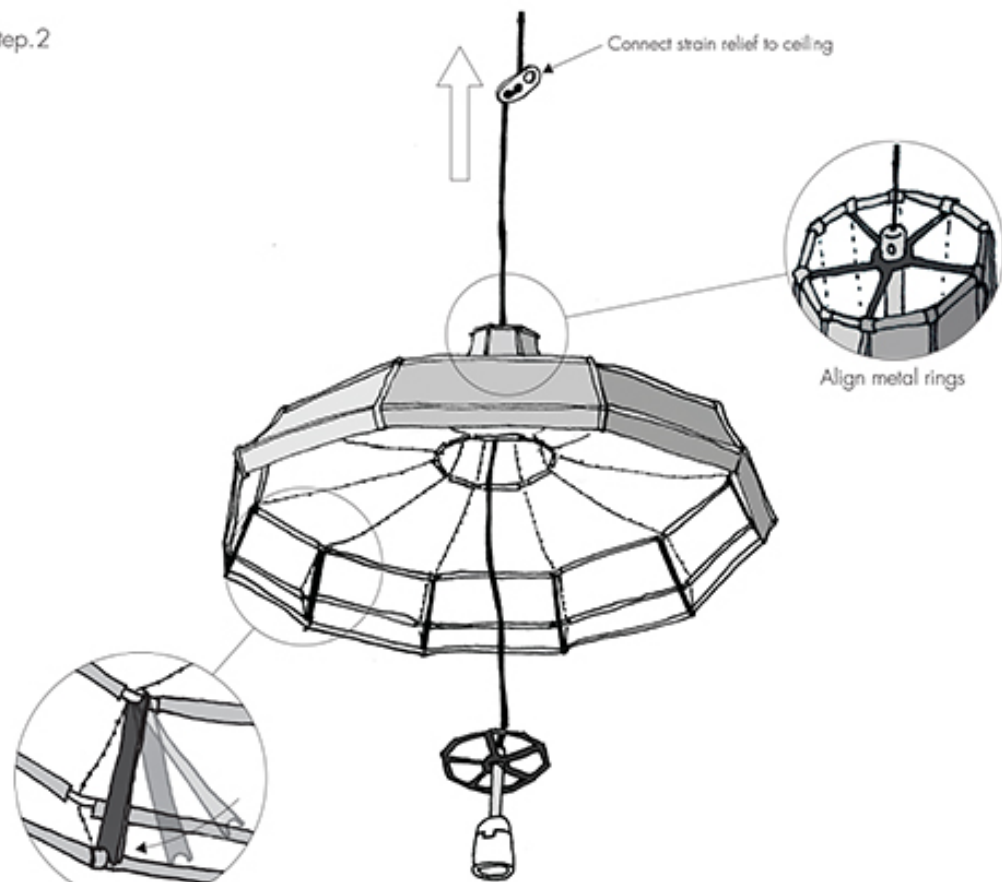
Step. 1



*Screw gently*

Connect cord set

Step. 2



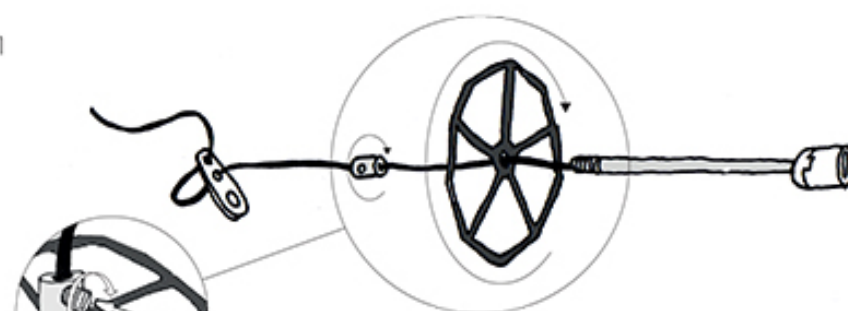
Connect strain relief to ceiling

Align metal rings

*Apply all connectors gently*

## Vertical Lampshade

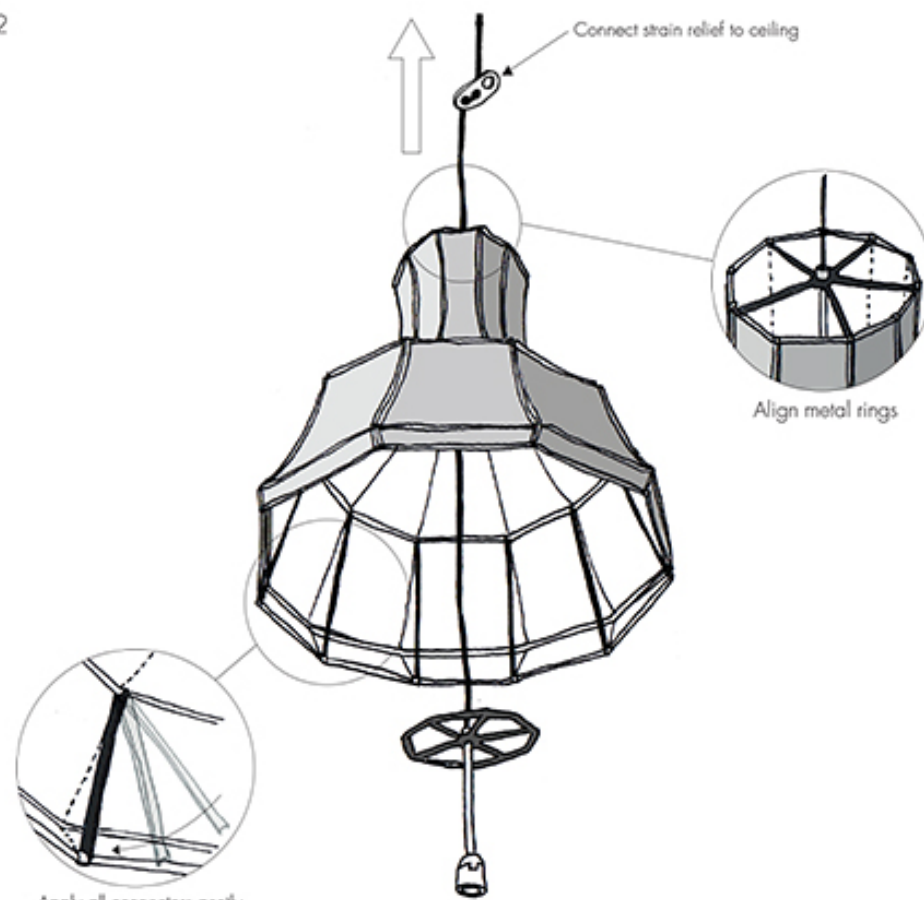
Step. 1



*Screw gently*

Connect cord set

Step. 2



Connect strain relief to ceiling

Align metal rings

*Apply all connectors gently*