

inWall /onWall

installation instructions

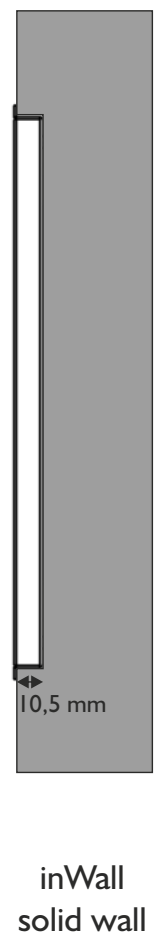
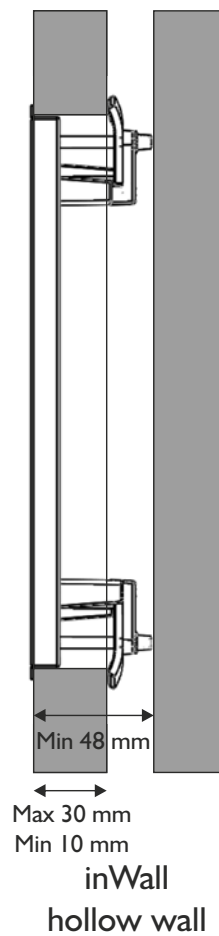
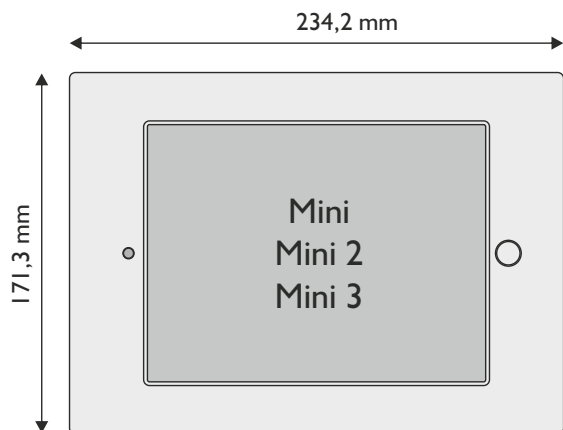
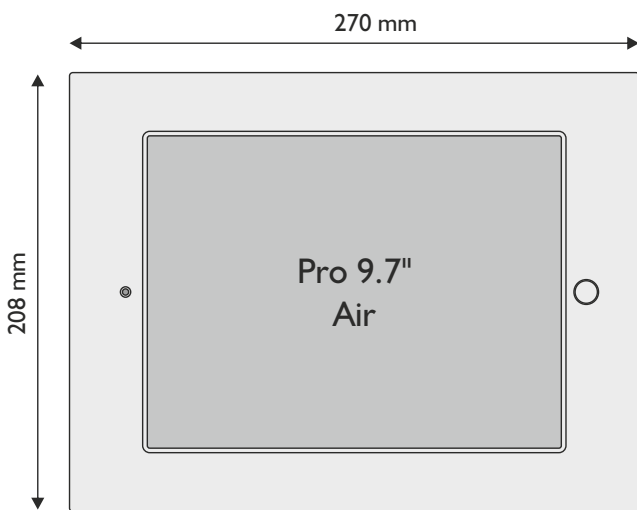
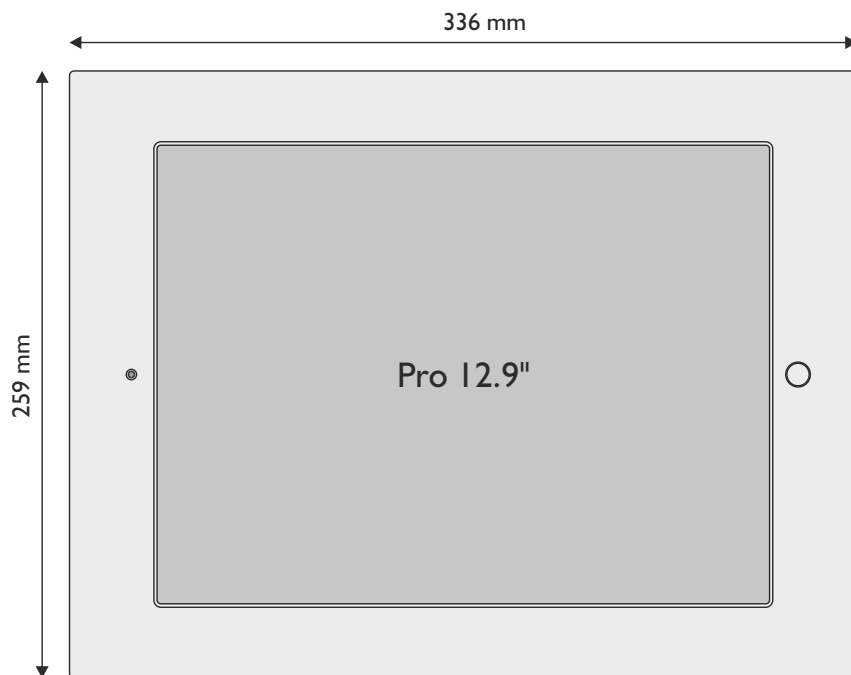
InstallSolutions



inWall, How to assemble and install..... page 2

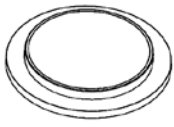
onWall, How to assemble and install..... page 7

inWall, installation instructions

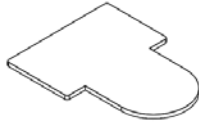


inWall

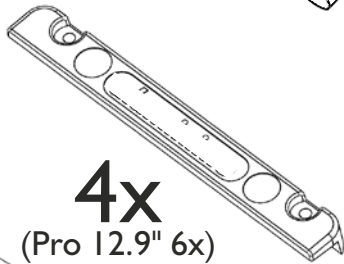
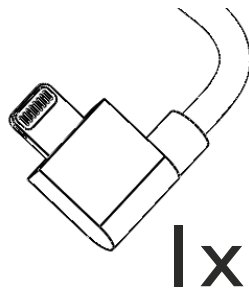
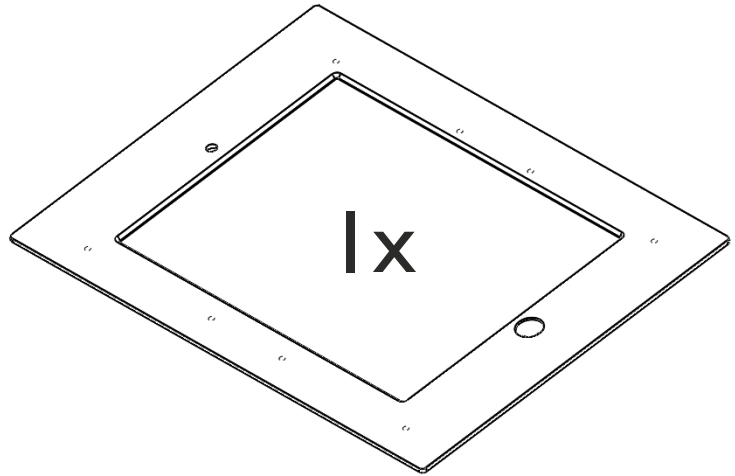
Content of box



1x or 1x



Buttonless
Version



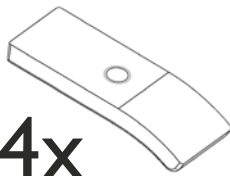
4x

(Pro 12.9" 6x)



4x

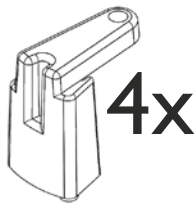
(Pro 12.9" 6x)



4x



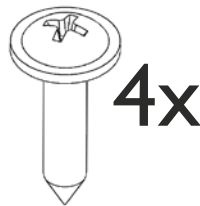
4x



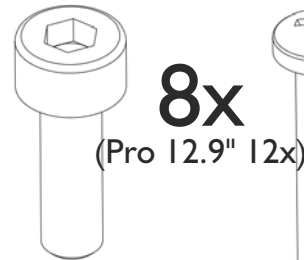
4x



1x

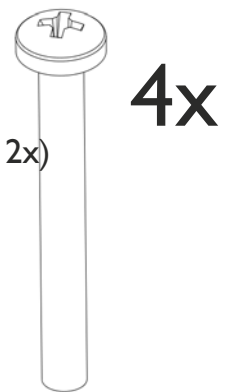


4x

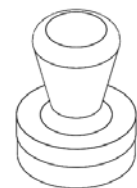


8x

(Pro 12.9" 12x)



4x

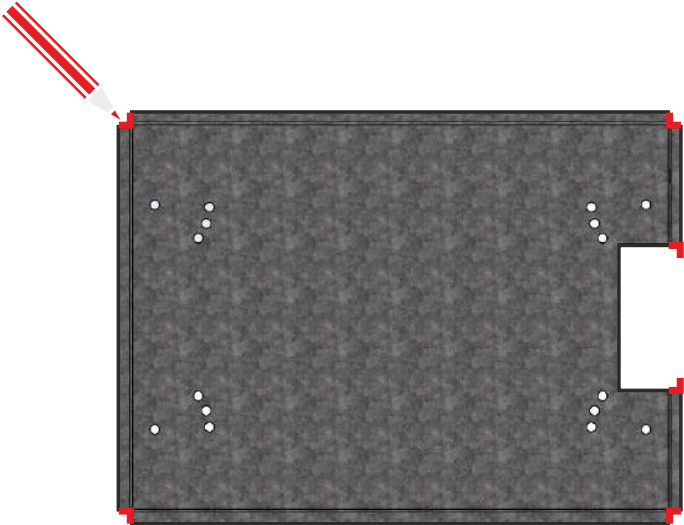


1x

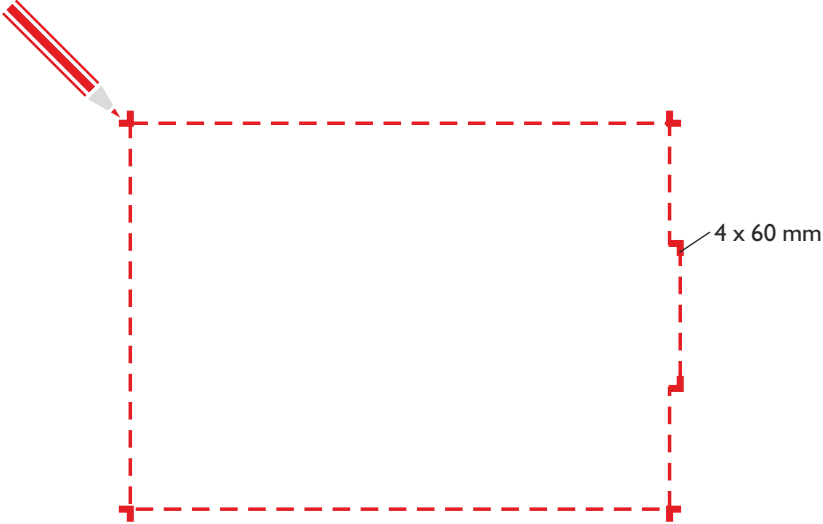
Buttonless
version

inWall

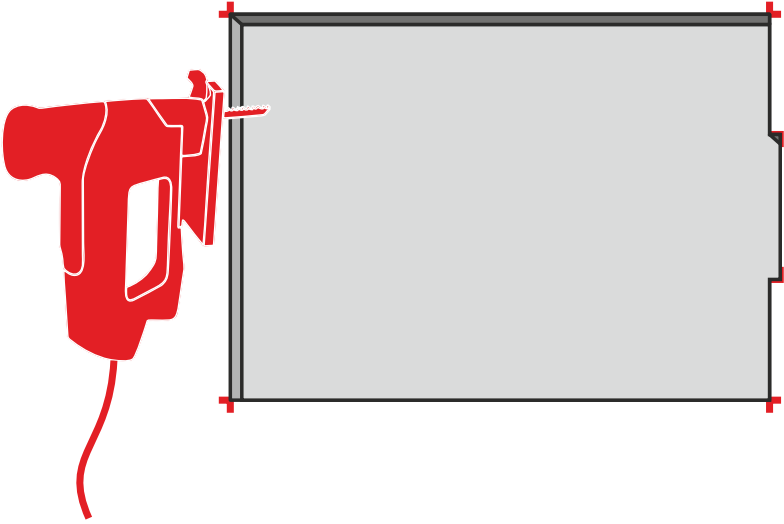
1.



2.

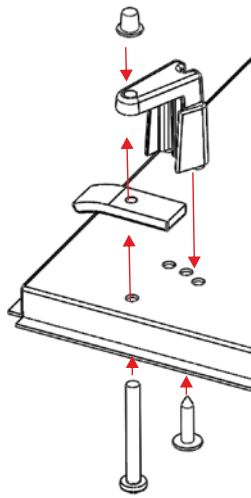


3.

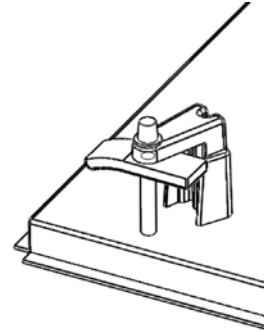


inWall

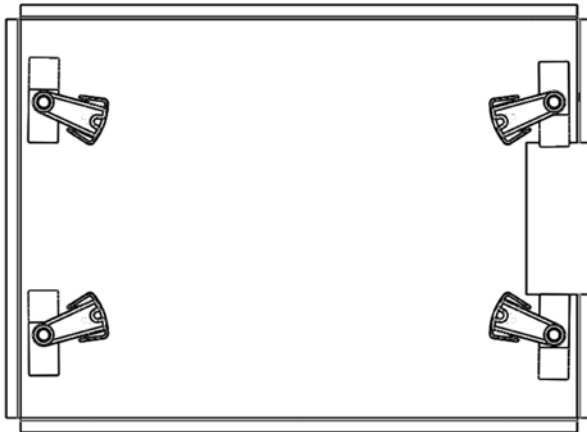
4.



5.

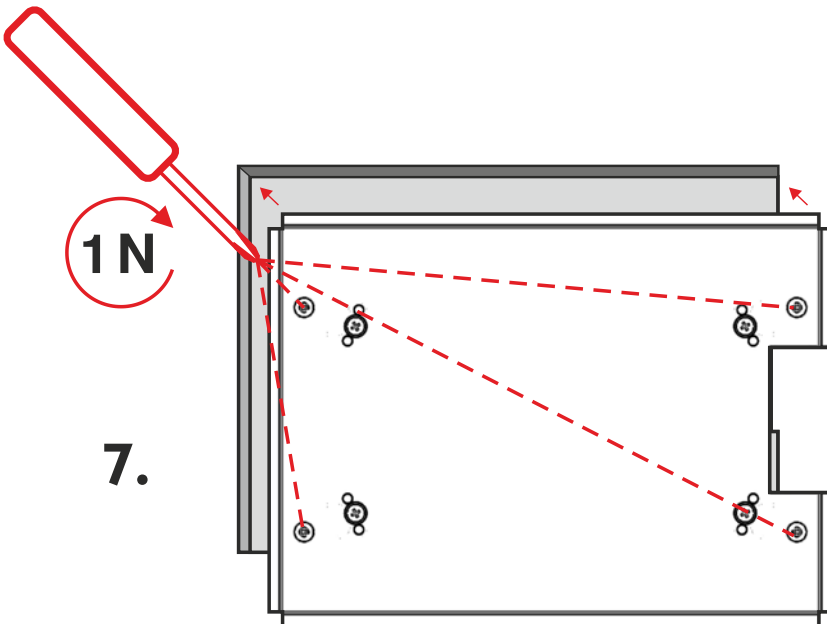


6.

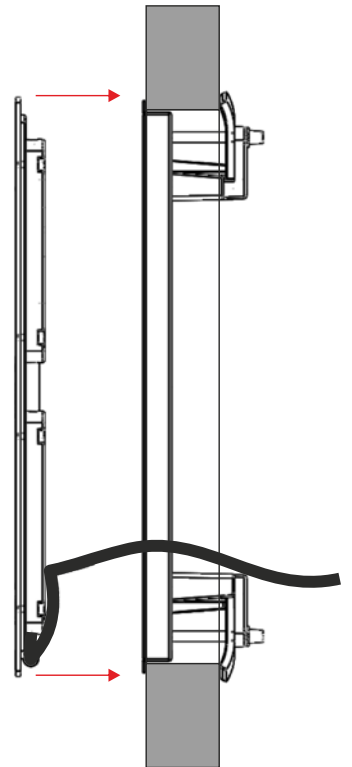


1N

7.



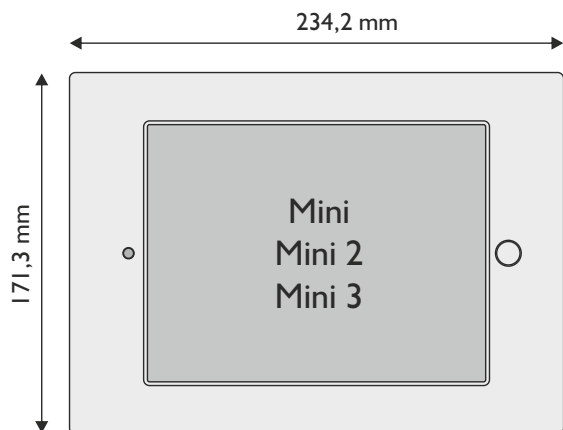
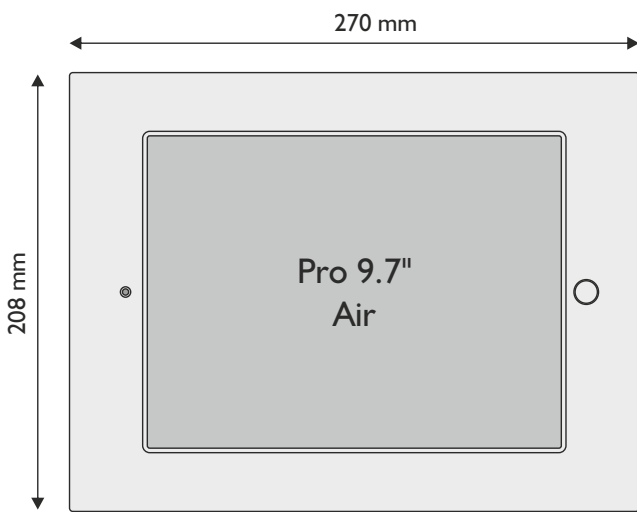
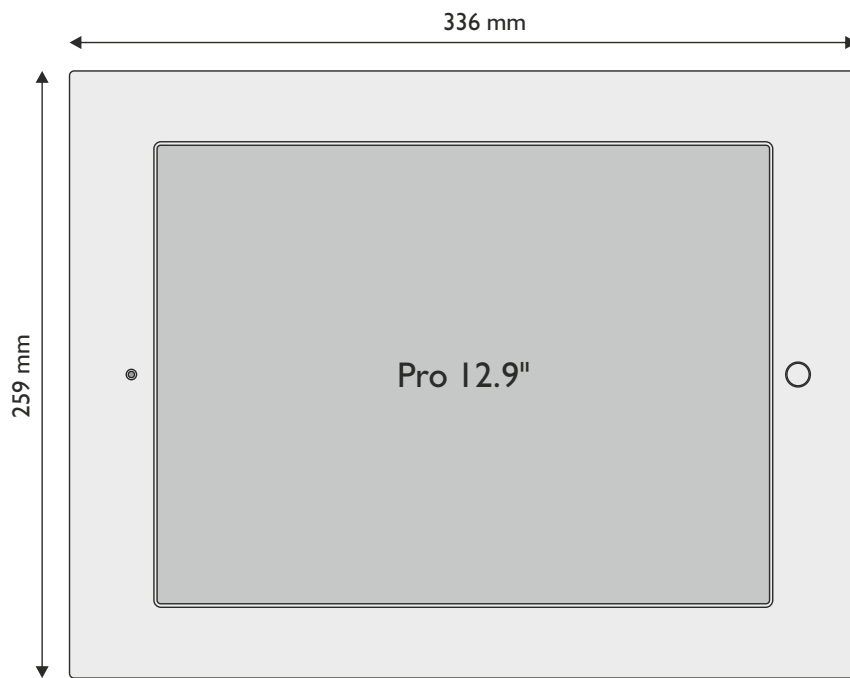
8.



InstallSolutions

InstallSolutions
info@installsolutions.nl
www.installsolutions.nl

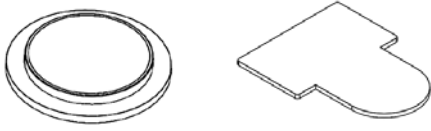
onWall, installation instructions



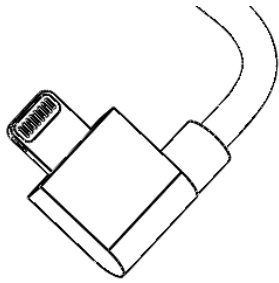
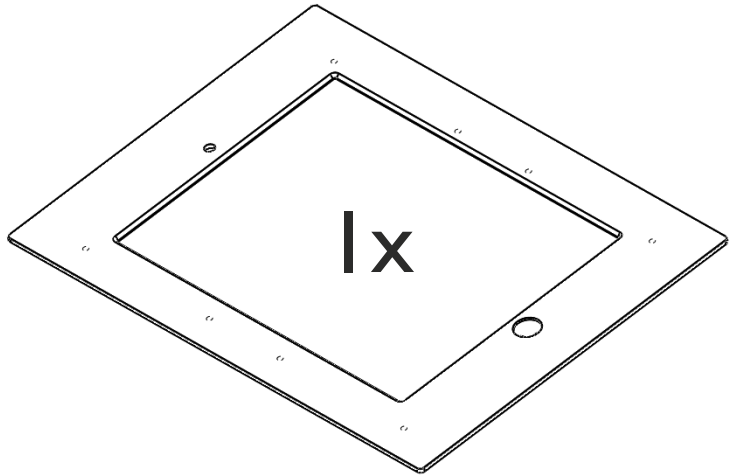
onWall

onWall

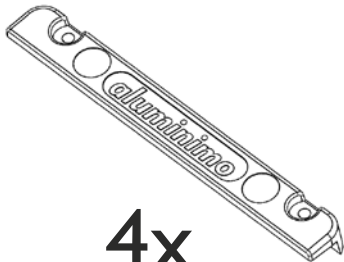
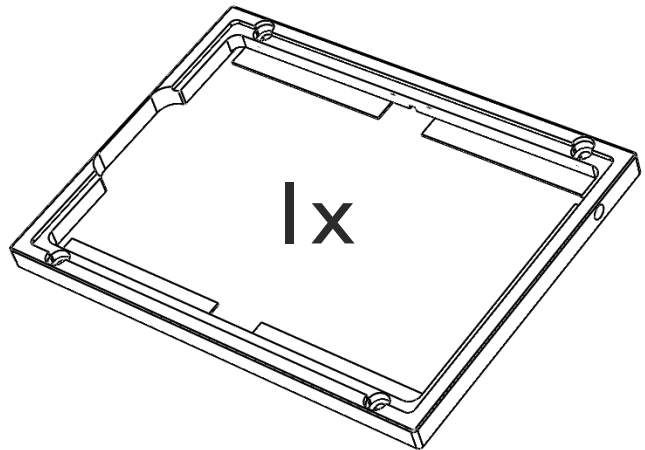
Content of box



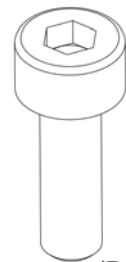
1x or **1x**
Buttonless
Version



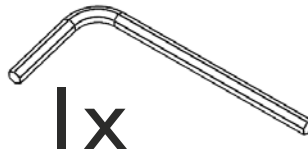
1x



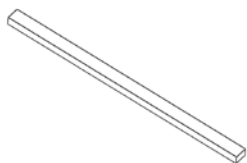
4x
(Pro 12.9" 6x)



8x
(Pro 12.9" 12x)



1x

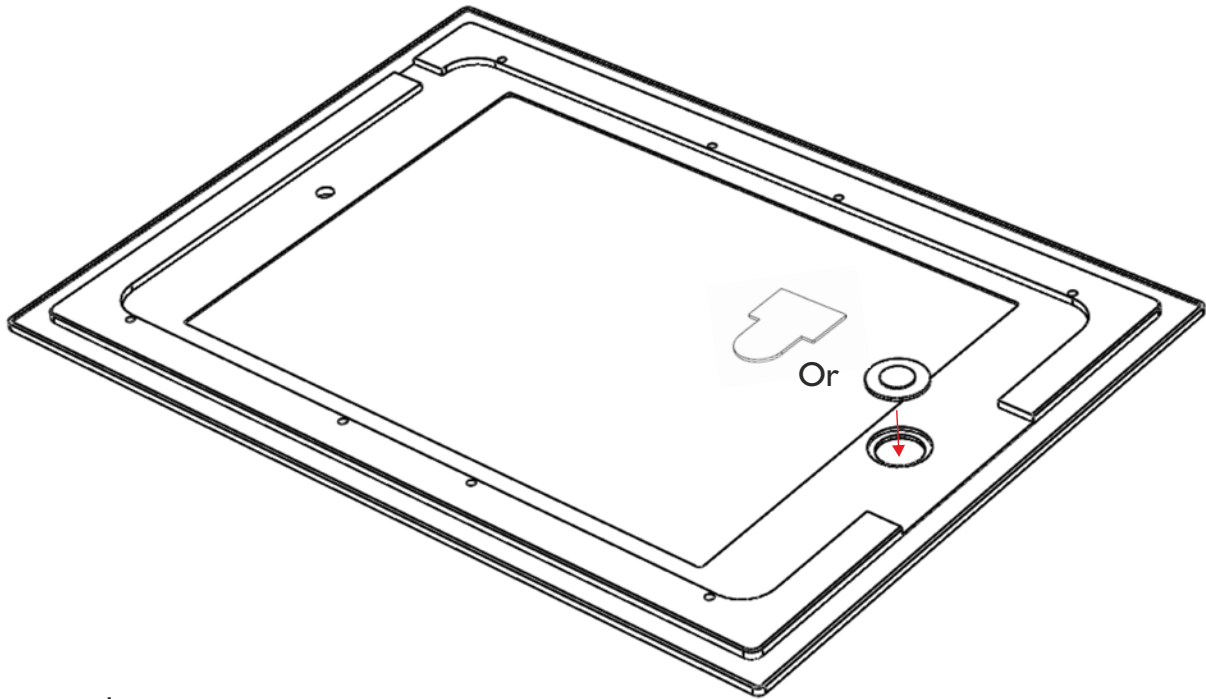


4x
(Pro 12.9" 6x)



1x
Buttonless
version

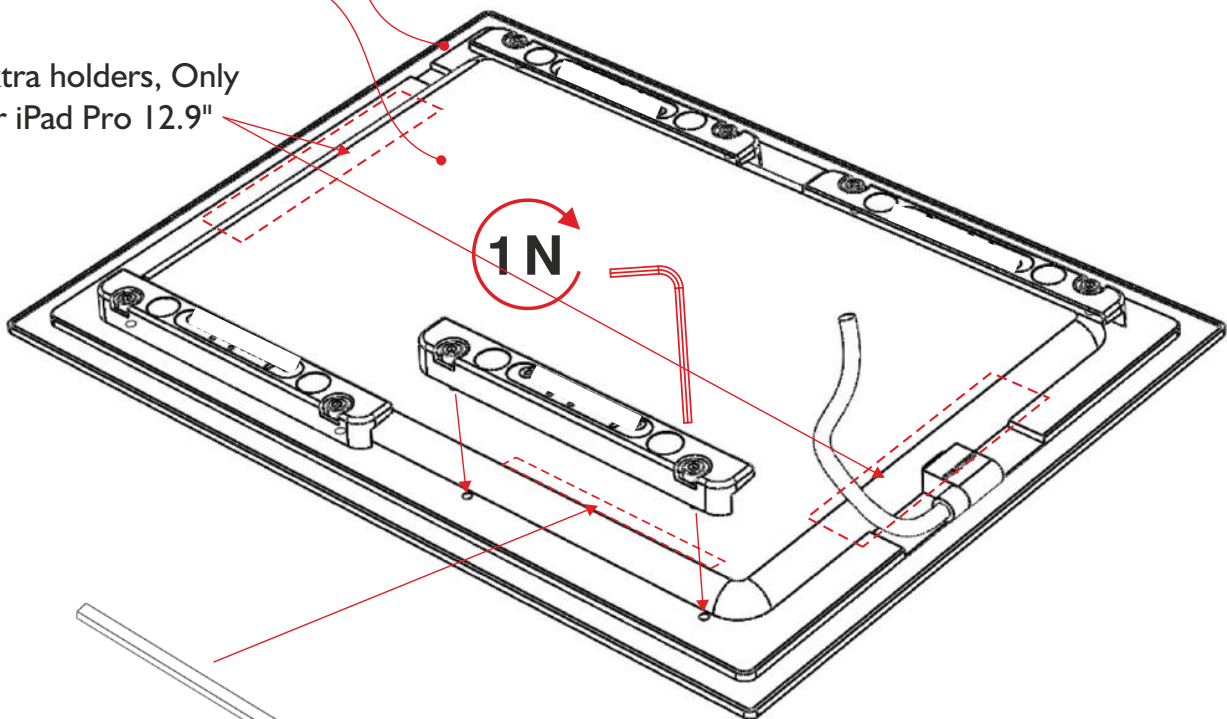
onWall



Front panel

iPad Pro / Air / Mini

Extra holders, Only for iPad Pro 12.9"

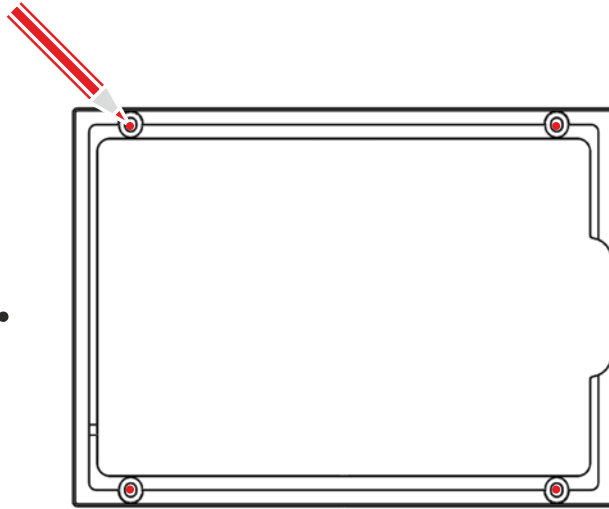


Foam bumper
Only for iPad Air
and iPad Pro.

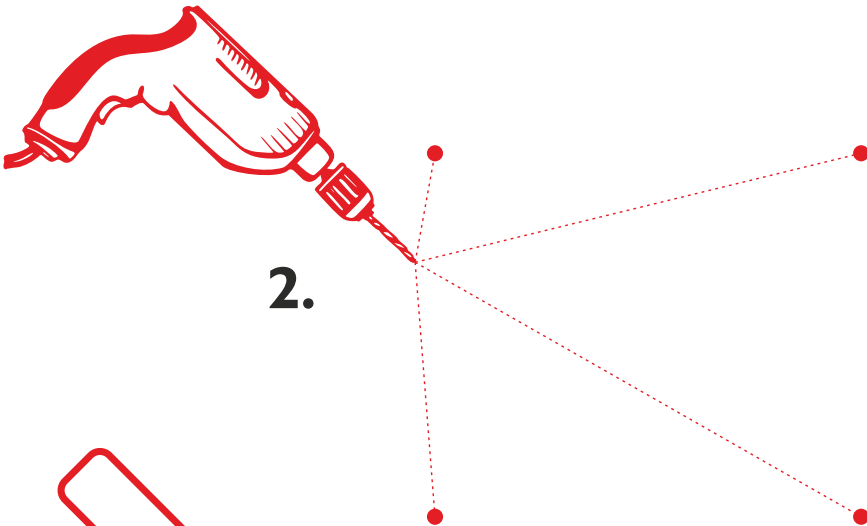
InstallSolutions

onWall

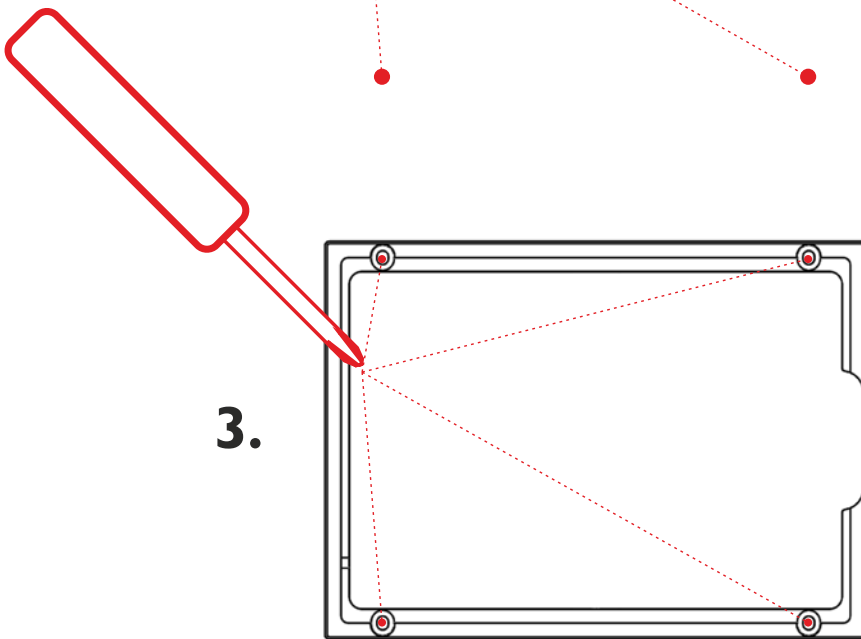
1.



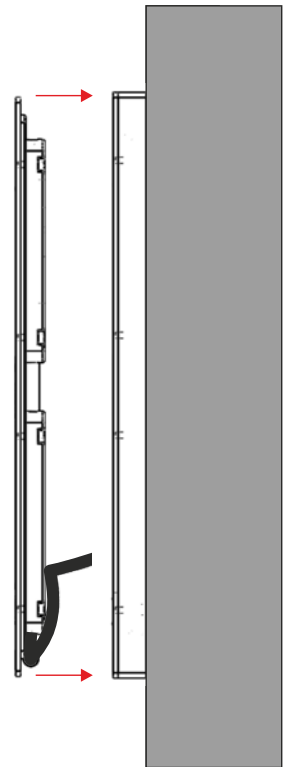
2.



3.



4.



InstallSolutions

InstallSolutions
info@installsolutions.nl
www.installsolutions.nl