

MONTAGGIO - ASSEMBLING - MONTAGE - BAUANLEITUNG - MONTAJE



ATLAS CAR MINI/80



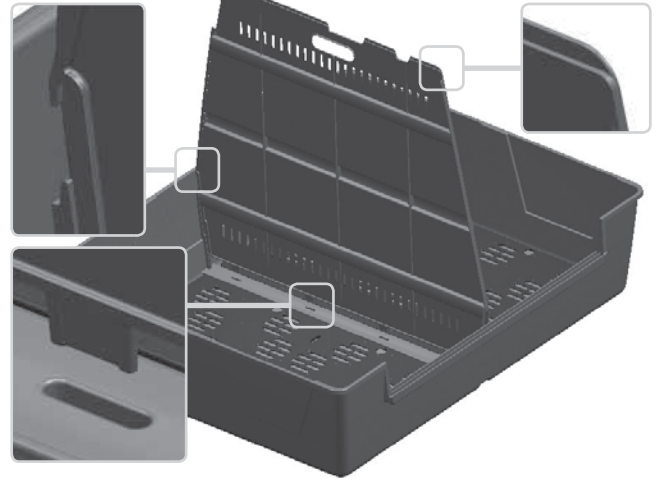
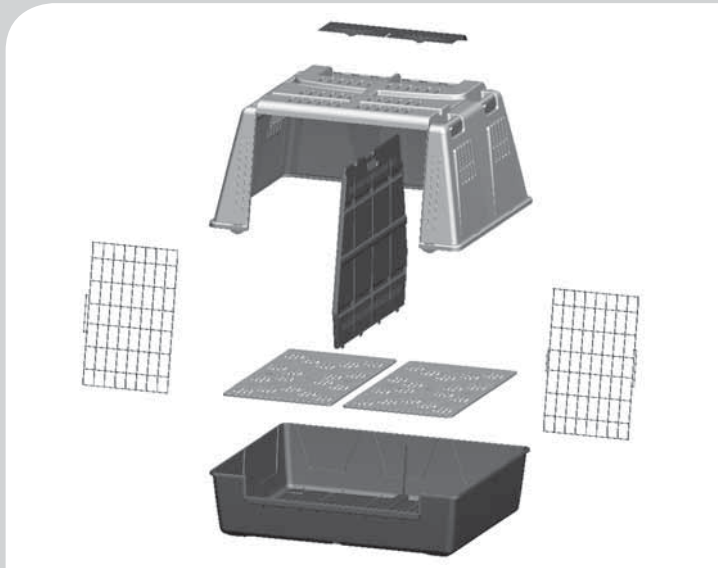
ATLAS CAR 80/100



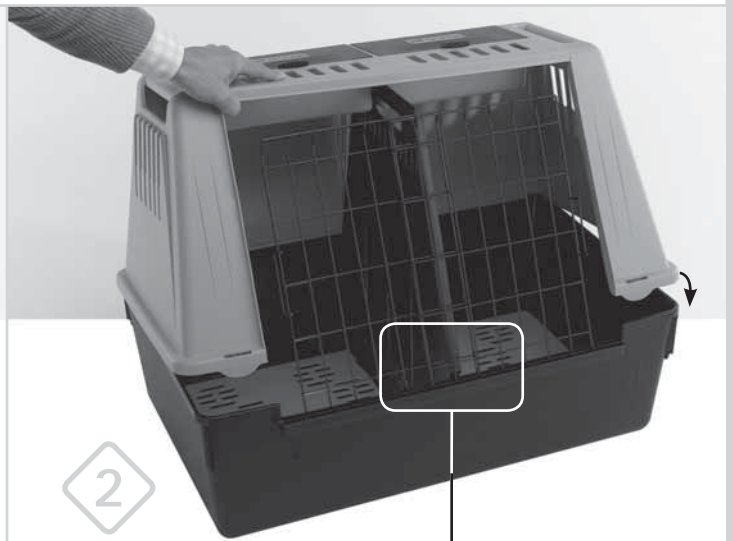
NO



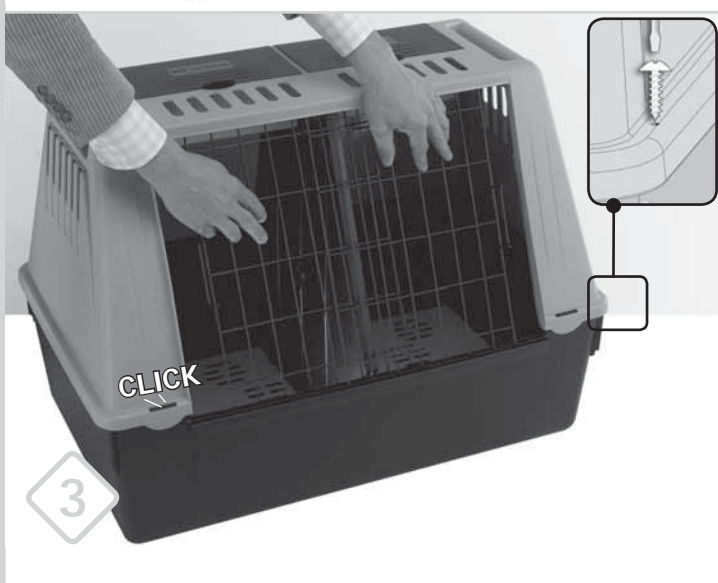
ATLAS CAR 100/MAXI



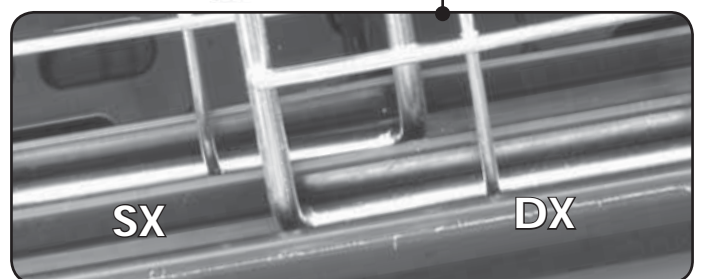
1



2

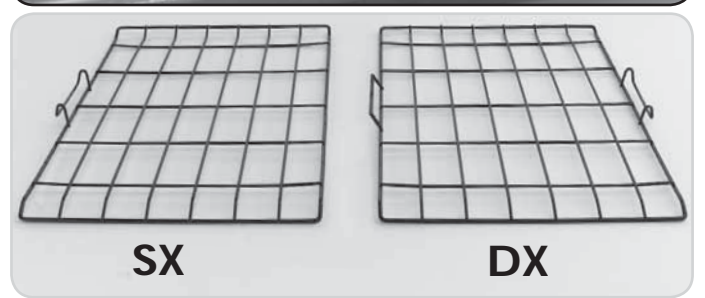


3



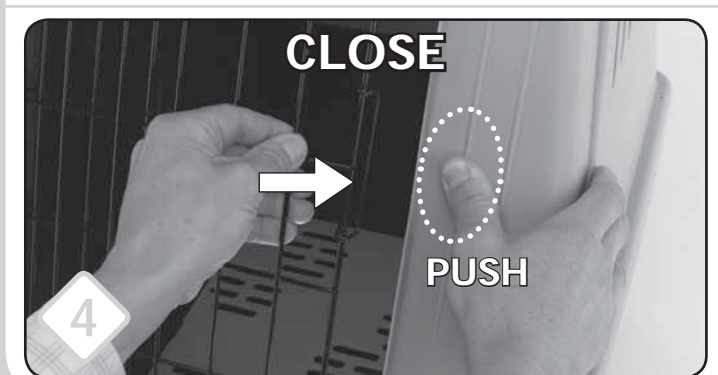
SX

DX



SX

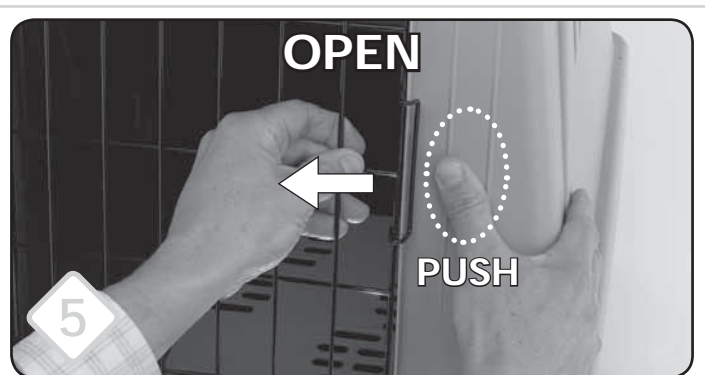
DX



CLOSE

PUSH

4



OPEN

PUSH

5