



 LG Display

# OLED Classic

Pendant Luminaire



**Elegant**

Modern design reminiscent of the incandescent light bulb

**Premium**

Homogenous light distribution with high color rendering

**Human-friendly**

Free of glare, UV and with low heat emission

**Functional**

Adjustable "Tilt & Swivel" Action

## Elegant yet contemporary, This is the new 'classic'

The OLED CLASSIC is a re-imagination of the incandescent light bulb, but without the discomfort of glare and heat, without the hazardous materials, and at a much higher efficiency.  
Elegant yet contemporary, this is the new 'classic'.

### **OLED Benefits**

- Brighter and more efficient than conventional decorative lightings (150lm)
- Excellent color rendering (CRI>90)
- Excellent homogeneity over the illuminating area (Uniformity>85%)
- Free of burn risks (Touchable)
- Free of glare and UV

### **Application**

- Retail
- Residential
- Restaurants
- Bars & Cafés
- Hotels
- Public areas



## Freedom of Direction

280° Tilt, 140° Swivel Function

In addition to its decorative aspects, the OLED CLASSIC provides functionality through its "Tilt & Swivel" option, enabling directional light as well as the freedom to adjust between direct/indirect light.



280° Tilt (140° + 140°)



140° Swivel

## Specifications

Product Image

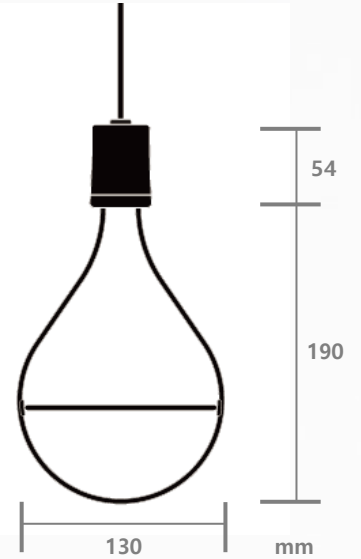


Single Frame



Double Frame

Dimensions

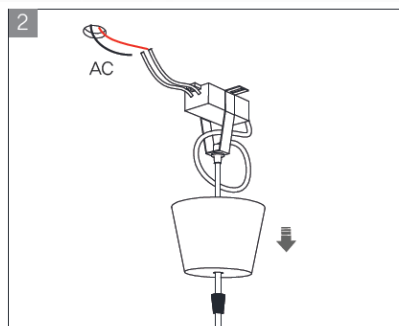
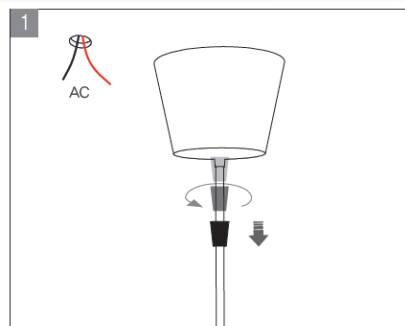


Model	Single Frame	Double Frame
Power Consumption	3 W	
Luminous Flux	150 lm	
Operating Voltage	DC 6.5V / 0.46A	
Color temperature	3,000 K	
CRI	90 Ra	
Dimension L x H	130 x 244mm	
Light Source	OLED Panel [LL043RC1-63P1-OY1]	

## Structure



## Installation



1. Unscrew the lug underneath the flange

2. Pull down the flange and connect + / - wires

3. Fix the mount on the ceiling with two crew bolts

4 Fix the flange with the lug

