

# Shenzhen JFY Tech.Co.,Ltd.



[www.jfy-tech.com](http://www.jfy-tech.com)

- » Grid-Connected Inverters
- » PV Accessories

- ✓ Grid-Connected Inverter Catalog
- Off-Grid Solutions Catalog
- UPS Catalog
- Telecom Power Supply Catalog
- Customized Product Catalog



## Company Profile

Shenzhen JingFuYuan Tech. Co., Ltd. (Abbr. JFY), Founded in 2003, is a professional designer, manufacturer and solutions provider in power electronics field. Awarded as National High-tech Enterprise and certified to ISO9001: 2008 international quality system, JFY has 16000 m<sup>2</sup> of production plants and R&D laboratories in Shenzhen headquarter and marketing centers at home and abroad. Devoting to being a leading supplier with best products and services, JFY offers customers the high cost-effective products and integrated energy solutions with plentiful design and production experiences. The products cover a wide range of Solar Inverter (1.1kW~1.26MW), UPS, Telecom Power Supply, Off-grid Hybrid solar Power etc. Our products have been sold to more than 50 countries and areas. Their stable operation and excellent performance have been universally recognized by users across the world.

## Contents

JSI- Series Single Phase String Inverter	
JSI-1100TL~6000TL	02
SUNTWINS Dual MPPT String Inverter	
SUNTWINS 3300TL~5000TL	04
SUNSEED Dual MPPT String Inverter	
SUNSEED 3000TL~5000TL	06
SUNTREE Three-Phase String Inverter	
SUNTREE 5000TL~30000TL	08
SUNFOREST Central Commercial Inverter	
SUNFOREST 50KT~630KT	10
One-Stop PV Power Plant	
SP-1000KTL~1260KTL	14
PV Accessories	
PV Combiner Box	
Solar WiFi/Ethernet Data Logger	17
WiFi-Plug	18
Solardog Wireless Monitor	19
AC Power Distribution Unit	20
Anti-reverse Power Controller	22

# JSI- Series Single-Phase String Inverter



JSI-1100TL

JSI-1500TL, JSI-3600TL

JSI-5000TL, JSI-6000TL

## Features

### High performance string inverters

- From 1.1kW to 6.0kW
- Wide PV input voltage range
- Rapid MPPT tracking technology
- Superior PV energy harvest
- Transformerless design with higher operation efficiency
- Excellent thermal performance
- High overload capability under most ambient conditions

### Full data display and communications

- LCD display energy data
- Bright LED indicators imply system status at a glance
- PC software for remote monitoring and system trouble shooting
- Integrated RS232 serial communications

### Easy and affordable to install

- Lightweight and compact size
- Firm IP65 inverter enclosure allows outdoor application

### Cost advantages

- Transformerless design cutting down cost
- Light weight and small dimension, to reduce shipping cost
- Low maintenance expense
- IP65 protection degree, suitable for outdoor installation, reducing construction cost

## Certificates

TUV, SAA, CE, CQC, AS4777.2/3, AS/NZS 3100, VDE 0126-1-1, EN62109-1/2, G83/2, G59/3, CNCA/CTS0004-2009A, CNCA/CTS0006-2010, EN61000-6-1/2/3/4, EN62109-1/2, RD1663, C10-11

## Technical data

Model (JSI-)	1100TL	1500TL	2000TL	2500TL	3000TL	3600TL	5000TL	6000TL
<b>Input (DC Side)</b>								
Max. DC input power (W)	1200	1720	2300	2620	3300	3750	5200	6400
Max. DC voltage (Vdc)	450		500				550	
Start voltage (Vdc)	60	150						
MPPT operating range (Vdc)	50~450		100~450				100~500	
Number of parallel inputs	1		2			3		
Number of MPPT trackers	1							
Max. input current (A)	12	10	13	14.5	20	21	22.5	27.5
<b>Output (AC Side)</b>								
Nominal output power (W)	1100	1500	2000	2490/2500	3000	3600	4600	6000
Max. output power (W)	1100	1650	2200	2490/2500	3200	3600	5000	6000
Nominal output current (A)	4.8	6.5	8.7	10.8	13	15.7	21.7	26
Max. output current (A)	5.7	7.9	10.5	12.5	15.7	16	24	31.2
Nominal AC output voltage (Vac)	230							
AC Output voltage range (Vac)*	185~265							
AC Grid frequency range (Hz)*	50±5							
Power factor (cosφ)	>0.99							
THDI	<3% (at nominal output power)							
<b>System</b>								
Max. efficiency	96.5%	96.5%	97.0%	97.0%	97.2%	97.3%	97.6%	97.6%
Euro. efficiency	95.4%	95.5%	96.2%	96.1%	96.4%	96.5%	97.0%	97.1%
MPPT efficiency	99.6%	99.6%	99.6%	99.6%	99.6%	99.6%	99.6%	99.6%
Operating temperature (°C)	-25~+60							
Noise (typical) [dB (A)]	≤20							
Consumption at night (W)	0							
Electrical isolation	Transformerless							
Cooling concept	Natural cooling							
Degree of protection	IP65							
Communication	RS232 (WiFi optional)							
Dimension (W*D*H mm)	290*150*295	345*152*315	345*152*355		345*152*385		345*152*505	345*162*573
Weight (kg)	7.5	12	13		15		19	24

\*AC grid voltage range and frequency range depend on local standards.

# SUNTWINS Series Dual MPPT String Inverter



SUNTWINS 3300TL~5000TL

## Features

### High performance string inverters

- From 3.3kW to 5.0kW
- Wide PV input voltage range
- Rapid MPPT tracking technology
- Two MPPT trackers
- Superior PV energy harvest
- Transformerless design with higher operation efficiency
- Excellent thermal performance
- High overload capability under most ambient conditions

### Full data display and communications

- LCD display energy data
- Bright LED indicators imply system status at a glance
- PC software for remote monitoring and system troubleshooting
- Integrated RS232 serial communications

### Cost advantages

- Transformerless design cutting down the cost
- Light weight and small dimension, reducing shipping cost
- IP65 protection degree, suitable for outdoor installation, reducing construction cost
- Low maintenance expense

### Easy and affordable to install

- Lightweight and compact size
- Includes a lightweight portable bracket simplifying installation
- Firm IP65 inverter enclosure allows outdoor application

## Certificates

TUV, SAA, CE, CQC, AS4777.2/3, AS/NZS 3100, VDE 0126-1-1, EN62109-1/2, G83, G59, CNCA/CTS0004-2009A, CNCA/CTS0006-2010, EN61000-6-1/2/3/4, EN62109-1/2, RD1663, C10-11

## Technical data

Model (SUNTWINS)	3300TL	4000TL	5000TL
<b>Input (DC Side)</b>			
Max. DC input power (W)	3450	4160	5200
Max. DC voltage (Vdc)	500		
Start voltage (Vdc)	150		
MPPT operating range (Vdc)	100~450		
Number of inputs	2		
Number of MPPT trackers	2		
Max. Input power per MPPT (W)	2000	2300	3000
Max. input current (A)	2*10	2*13	2*15
<b>Output (AC Side)</b>			
Nominal output power (W)	3300	4000	4950/5000
Max. output power (W)	3300	4000	4950/5000
Nominal output current (A)	14.3	17.4	21.6
Max. output current (A)	16.5	20.0	25.0
Nominal AC output voltage (Vac)	230		
AC output voltage range (Vac)*	185~265		
AC grid frequency range (Hz)*	50±5		
Power factor (cosφ)	>0.99		
THDI	<3% (at nominal output power)		
<b>Efficiency</b>			
Max. efficiency	97.3%	97.5%	97.5%
Euro. efficiency	96.5%	96.8%	96.7%
MPPT efficiency	99.6%	99.6%	99.6%
<b>System</b>			
Operating temperature (°C)	-25~+60		
Noise (typical) [dB (A)]	≤25		
Consumption at night (W)	0		
Electrical isolation	Transformerless		
Cooling concept	Natural cooling		
Degree of protection	IP65		
Communication	RS232 (WiFi optional)		
Dimension (W*D*H mm)	345*152*435		
Weight (kg)	16.5	18	18

\*AC grid voltage range and frequency range depend on local standards.

# SUNSEED Series Single-Phase Dual MPPT String Inverter



SUNSEED 3000TL-5000TL

## Features

### Reactive power control available

Optional zero net export or partial export to grid

### Cost advantages

- Transformerless design cutting down the cost
- Light weight and small dimension, reducing shipping cost
- IP65 protection degree, suitable for outdoor installation, reducing construction cost
- Low maintenance expense

### Easy and affordable to install

- Lightweight and compact size
- Includes a lightweight portable bracket simplifying installation
- Firm IP65 inverter enclosure allows outdoor application

### High performance string inverters

- From 3.0kW to 5.0kW
- Wide PV input voltage range
- Rapid MPPT tracking technology
- Two MPPT trackers
- Superior PV energy harvest
- Transformerless design with higher operation efficiency
- Excellent thermal performance
- High overload capability under most ambient conditions

### Full data display and communications

- LCD display energy data
- Bright LED indicators imply system status at a glance
- PC software for remote monitoring and system troubleshooting
- Integrated RS232 serial communications

## Certificates

TUV, SAA, CE, CQC, AS4777.2/3, AS/NZS 3100, VDE 0126-1-1, EN62109-1/2, G83/2, G59/3, CNCA/CTS0004-2009A, CNCA/CTS0006-2010, EN61000-6-1/2/3/4, EN62109-1/2, RD1663, C10-11

## Technical data

Model (SUNSEED)	3000TL	4000TL	5000TL
<b>Input Data (DC side)</b>			
Max. DC power (W)	3120	4160	5200
Max. DC voltage (Vdc)	500		
MPPT Operating range (Vdc)	100~450		
Number of parallel inputs	2		
Number of MPPT trackers	2		
Max. input power of per MPPT (W)	2000	2300	3000
Max. input current [total (A)]	IN1:11.3/IN2:11.3	IN1:13.0/IN2:13.0	IN1:15.0/IN2:15.0
<b>Output Data (AC side)</b>			
Nominal output power	3000	4000	4950
Max. Output power	3000	4000	5000
Nominal output current (A)	13.0	17.4	21.5
Max. output current (A)	15.0	20.0	25.0
Nominal AC voltage (Vac)	230		
AC voltage range (Vac)*	185~265		
Nominal AC grid frequency (Hz)	50		
AC grid frequency range (Hz)*	50 ± 5		
Power factor (cos φ)	Default 0.9 lagging, adjustable 0.9 (leading)~0.9 (lagging)		
Harmonic distortion(THDI)	<3% (at nominal output power)		
<b>Efficiency</b>			
Max. efficiency	97.2%	97.1%	97.0%
Euro efficiency	96.5%	96.5%	96.4%
MPPT efficiency	99.8%	99.8%	99.8%
<b>General data</b>			
Dimensions (W*D*H mm)	358*145*430		
Net weight (kg)	16.5	18	18
Operating temperature range (°C)	-25~+60		
Noise emission (typical) [dB (A)]	≤ 20		
Power consumption at night (W)	0		
Electrical isolation	Transformerless		
Cooling concept	Natural cooling		
Degree of protection	IP65		
Communication	RS232 (Wifi optional)		

\*AC grid voltage range and frequency range depend on local standards.



# SUNTREE Series Three-Phase String Inverter



SUNTREE 5000TL~30000TL

## Features

### High performance string inverters

- From 5.0KW to 30.0KW
- Famous power components
- Superior PV energy harvest
- Excellent thermal performance
- Transformerless design with higher operation efficiency
- High overload capability under most ambient conditions

### Full data display and communications

- LCD display energy data
- Bright LED indicators imply system status at a glance
- PC software for remote monitoring and system troubleshooting
- Integrated RS485/RS232 serial communications

### Easy and affordable to install

- Lightweight and compact size
- Wide MPPT voltage range allows more flexible module selections
- Includes a lightweight portable bracket simplifying installation
- Firm IP65 inverter enclosure allows outdoor application

### Cost advantages

- Transformerless design cutting down the cost
- Light weight and small dimension, reducing shipping cost
- Low maintenance expense and low power loss when breakdown

## Certificates

TUV, SAA, CE, CQC, AS4777.2/3, AS/NZS 3100, VDE 0126-1-1, EN62109-1/2, G83, G59, CNCA/CTS0004-2009A, CNCA/CTS0006-2010, EN61000-6-1/2/3/4, EN62109-1/2, RD1663, C10-11

## Technical data

Model (SUNTREE)	5000TL	6000TL	8000TL	10000TL	12000TL	15000TL	17000TL	20000TL	30000TL
-----------------	--------	--------	--------	---------	---------	---------	---------	---------	---------

### Input (DC Side)

Max. DC input power (W)	5180	6200	8300	11200	13300	15800	17900	21000	32000
Max. DC voltage (Vdc)	900			1000					
Start voltage (Vdc)	250								
MPPT operating range (Vdc)	250~720			250~800					
Number of inputs	2			4		6		10	
Number of MPPT trackers	2								
Max. input power per MPPT (W)	3500	4000	5000	6000	7000	8500	9500	11000	16500
Max. input current (A)	2*10	2*12	2*16	2*22	2*24	2*30	2*32	2*35	2*33

### Output (AC Side)

Nominal output power (W)	5000	6000	8000	10000	12000	15000	17000	20000	30000
Max. output power (W)	5000	6000	8000	10000	12000	15000	17000	20000	30000
Rated output current (A)	7.3	8.7	11.6	15.2	17.4	22.7	25.8	30.3	44.5
Max. output current (A)	7.9	9.5	12.7	16.0	19.4	25.0	28.3	33.3	48.0
Nominal output voltage (Vac)	400								
Output voltage range (Vac)*	360~440								
Grid frequency range (Hz)*	50/60±5								
Power factor	0.9 (leading)~0.9 (lagging)								
THDI	<3% (at nominal output power)								

### Efficiency

Max. efficiency	97.6%	97.8%	98.1%	98.1%	98.1%	98.1%	98.1%	98.2%	98.1%
Euro. efficiency	96.7%	96.9%	97.3%	97.5%	97.6%	97.5%	97.6%	97.6%	97.5%
MPPT efficiency	99.6%	99.6%	99.6%	99.6%	99.6%	99.6%	99.6%	99.6%	99.6%

### System

Operation temperature (°C)	-25~+60								
Noise [dB (A)]	≤25			≤50				≤65	
Consumption at night (W)	0								
Electrical isolation	Transformerless								
Cooling concept	Natural cooling			Fan cooling					
Degree of protection	IP65								
Communication	RS485/RS232 (WiFi optional)								
Dimension (W*D*H mm)	470*165*560			470*165*585		470*165*670		580*235*800	
Weight (kg)	32			35		50		65	

\*AC grid voltage range and frequency range depend on local standards.

# SUNFOREST Series Central Commercial Inverter



## Features

### Advanced performance

- With the advanced system intelligence, highly speed MPPT technology, industrial-grade engineering and complete fault protections, Sunforest series central commercial inverters maximize system uptime and power production, even in harshest environments
- DSP-controlled IGBT circuitry to achieve high efficiency, reliability and low installing cost
- Sunforest KT series grid-tied inverters are integrated with an isolation transformer
- Sunforest KTL series grid-tied inverters have a max efficiency of 98.6% without a transformer
- Multiple work mode, SVG (Static Var Generator) mode, Anti-Reverse Power control mode

### Optimal MPPT technology

- Rapid and accurate control boost PV plant KWH yield
- Provides a wide range of operation voltage

### Utility-ready features

- Open communication protocol, compatible with any third-party monitoring system and easily integrated into SCADA systems
- Remote control of real and reactive power
- ZVRT (Zero voltage ride through)
- Power factor control
- Simplified grid interconnection

### Increased PV plant yield

- Rapid and accurate MPPT control increases PV plant KWH yield by extending the production window of arrays, enabling them to operate at optimal voltage and current levels for longer periods of time-even in varied sunlight conditions to maximize efficiency and enable you to get the most from your investment

### Safety

- Built-in DC and AC disconnected switches

## Certificates

CQC, CNCA/CTS0004-2009A, CNCA/CTS0006-2010, Zero Voltage Ride Through

## Technical data

Model (SUNFOREST)	50KT	75KT	100KT
<b>Input (DC Side)</b>			
Max. DC input Power (kW)	58	87	115
Max. DC voltage (Vdc)	1000		
MPPT operating range (Vdc)	450~820 (start voltage 470Vdc)		
Number of parallel inputs	2		
Number of MPPT trackers	1		
Max. input current (A)	128	200	250
<b>Output (AC Side)</b>			
Nominal output power (kW)	50	75	100
Max. output power (kW)	55	82.5	110
Nominal output current (A)	72	108	144
Max. output current (A)	80	120	158
Nominal AC output voltage (Vac)	400		
AC output voltage range (Vac)*	360~440		
AC grid frequency range (Hz)*	50±5		
Power factor (cosφ)	0.9 (leading)~0.9 (lagging)		
THDI	<3% (at nominal output power)		
<b>Efficiency</b>			
Max. efficiency	96.5%	96.8%	97.1%
Euro. efficiency	95.8%	96.2%	96.4%
MPPT efficiency	99.9%	99.9%	99.9%
<b>System</b>			
Operating temperature (°C)	-25~+60 (derated power above 50°C)		
Altitude (m)	6000 (derated power above 3000m)		
Noise (typical) [dB (A)]	≤65		
Consumption at night (W)	<100		
Electrical isolation	Transformer		
Cooling concept	Fan cooling		
Degree of protection	IP20		
Communication	RS485		
Dimension (W*D*H mm)	600*650*1450	650*700*1550	800*700*1700
Weight (kg)	520	650	810

\*AC grid voltage range and frequency range depend on local standards.

# SUNFOREST Series Central Commercial Inverter

## Technical data

Model (SUNFOREST)	150KT	175KT	250KTL	250KT
-------------------	-------	-------	--------	-------

### Input (DC Side)

Max. DC input Power (kW)	172	202	285	285
Max. DC voltage (Vdc)	1000			
MPPT operating range (Vdc)	450~820 (start voltage 470Vdc)			
Number of parallel inputs	4	4	5	5
Number of MPPT trackers	1			
Max. input current (A)	380	500	600	600

### Output (AC Side)

Nominal output power (kW)	150	175	250	250
Max. output power (kW)	165	192	275	275
Nominal output current (A)	217	254	535	362
Max. output current (A)	238	280	589	400
Nominal AC output voltage (Vac)	400	400	270	400
AC output voltage range (Vac)*	360~440	360~440	243~297	360~440
AC grid frequency range (Hz)*	50±5			
Power factor (cosφ)	0.9 (leading)~0.9 (lagging)			
THDI	<3% (at nominal output power)			

### Efficiency

Max. efficiency	97.2%	97.2%	98.4%	97.3%
Euro. efficiency	96.5%	96.6%	98.0%	96.8%
MPPT efficiency	99.9%	99.9%	99.9%	99.9%

### System

Operating temperature (°C)	-25~+60 (derated power above 50°C)			
Altitude (m)	6000 (derated power above 3000m)			
Noise (typical) [dB (A)]	≤65			
Consumption at night (W)	<100			
Electrical isolation	Transformer	Transformer	Transformerless	Transformer
Cooling concept	Fan cooling			
Degree of protection	IP20			
Communication	RS485			
Dimension (W*D*H mm)	900*900*1850	900*900*1850	1000*900*1850	1400*900*1850
Weight (kg)	1100	1150	890	1750

\*AC grid voltage range and frequency range depend on local standards.

## Technical data

Model (SUNFOREST)	500KTL	500KT	630KTL	630KT
<b>Input (DC Side)</b>				
Max. DC input Power (kW)	570	570	715	715
Max. DC voltage (Vdc)	1000			
MPPT operating range (Vdc)	450~820 (start voltage 470Vdc)		500~820 (start voltage 520Vdc)	
Number of parallel inputs	12			
Number of MPPT trackers	1			
Max. input current (A)	1200	1200	1400	1400
<b>Output (AC Side)</b>				
Nominal output power (kW)	500	500	630	630
Max. output power (kW)	550	550	693	693
Nominal output current (A)	1070	725	1155	910
Max. output current (A)	1177	800	1270	1000
Nominal AC output voltage (Vac)	270	400	315	400
AC output voltage range (Vac)*	243~297	360~440	283~347	360~440
AC grid frequency range (Hz)*	50±5			
Power factor (cosφ)	0.9 (leading)~0.9 (lagging)			
THDI	<3% (at nominal output power)			
<b>Efficiency</b>				
Max. efficiency	98.5%	97.3%	98.6%	97.5%
Euro. efficiency	98.0%	96.6%	98.2%	97.0%
MPPT efficiency	99.9%	99.9%	99.9%	99.9%
<b>System</b>				
Operating temperature (°C)	-25~+60 (derated power above 50°C)			
Altitude (m)	6000 (derated power above 3000m)			
Noise (typical) [dB (A)]	≤65			
Consumption at night (W)	<100			
Electrical isolation	Transformerless	Transformer	Transformerless	Transformer
Cooling concept	Fan cooling			
Degree of protection	IP20			
Communication	RS485			
Dimension (W*D*H mm)	1700*900*1850	2900*900*1850	1700*900*1850	2900*900*1850
Weight (kg)	1427	3050	1677	3300

\*AC grid voltage range and frequency range depend on local standards.

# One-Stop PV Power Plant



## Features

- Built-in two 500/630KW high efficient inverter with perfect power distribution, firefighting protection, monitoring system to meet requirements to connect grid more rapidly security
- IP54 containerized design, easy to transport and install
- DC power distribution and cooling integrated design, reducing cost of whole system
- Comply the zero-voltage ride trough standard
- SVG running mode controlling reactive power compensation at night
- Transformerless design, the highest efficiency 98.6% (European efficiency 98.2%)
- Active and reactive power adjustable according to the grid command
- Strong capability to the harsh grid environment, LCL filter, low output harmonic
- Perfect protection to ensure reliable operation of the system
- Auxiliary heating optional, normal running at ambient temperature of minus 35 degrees

SP-500/1000/1260KTL with the four integrated functions as DC distribution, inverting-inversion and system monitoring, this solution of inverter cells is able to control from the DC output of PV modules to the grid-connection in one-stop, and has significant advantages at system integration, environmental adaptation, overall investment, speedy installation and debugging, etc. The integrated design of power distribution and inverting-inversion is based on the high performance inverter and distribution cabinet, and the total solution will reduce the system loss and bring higher equipment compatibility, hence improve the power generating efficiency and the system stability. The field installation of this product is more convenient and quick since it's adapted to integral hoisting with shorter duration of construction, lower cost, smaller construction difficulty and risks. This overall solution of inverter cells is standardized and able to be debugged and grid-connected rapidly.

## Technical data

Model (SP)	1000KTL	1260KTL
<b>DC Side</b>		
Max. DC input power (kW)	1157	1410
Max. DC voltage (Vdc)	1000	1000
MPPT operating range (Vdc)	450~820 (start voltage 470Vdc)	500~820 (start voltage 520Vdc)
Number of parallel inputs	24	24
Number of MPPT trackers	2	2
Max. input current (A)	2400	2800
<b>AC Side</b>		
Nominal output power (kW)	1000	1260
Max. output power(kW)	1100	1400
Nominal output current (A)	2140	2310
Max. output current (A)	2354	2566
Nominal AC output voltage (Vac)	270	315
AC output voltage range (Vac)*	243~297	283~347
AC grid frequency range (Hz)*	50±5	50±5
Power factor (cosφ)	0.9 (leading)~0.9 (lagging)	0.9 (leading)~0.9 (lagging)
THDI	<3% (normal output power)	<3% (normal output power)
<b>Efficiency</b>		
Max. efficiency	98.5%	98.6%
Euro. efficiency	98.0%	98.2%
MPPT efficiency	99.9%	99.9%
<b>System</b>		
Operating temperature (°C)	-35~+55	-35~+55
Noise (typical) [dB (A)]	≤65	≤65
Consumption at night (W)	<200	<200
Electrical isolation	Transformerless	Transformerless
Cooling concept	Fan cooling	Fan cooling
Degree of protection	IP54	IP54
Communication	RS485	RS485
Dimension (W×D×H)(mm)	3500*3000*2700	3500*3000*2700
Weight (kg)	7200	7700

\*AC grid voltage range and frequency range depend on local standards.



# PV Combiner Box



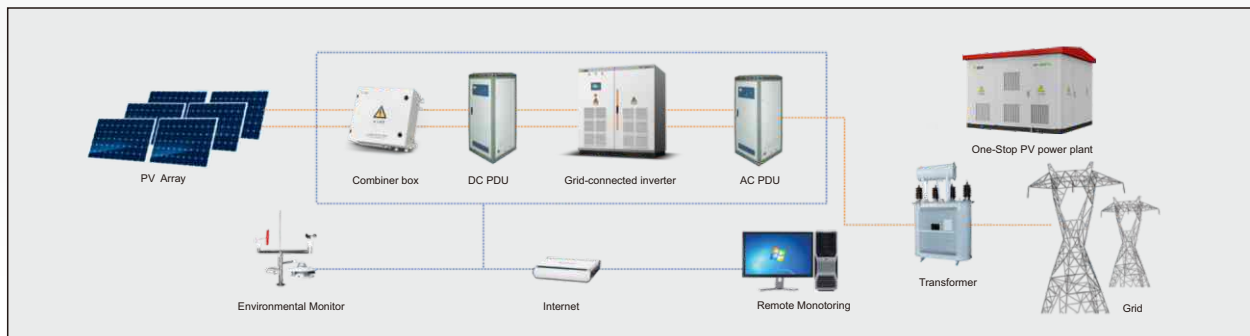
## Features

For large scale PV generation system, combiner box can reduce the cables between PV modules and inverters, increase reliability of system and make maintenance easier. SCR/SDR series combine box is designed with high performance and reliability, provides total system solutions with our grid-tied inverters. It ensures safety of PV system and reduces the installation time.

- Remote monitor, RS485 communication (optional)
- Firm IP65 inverter enclosure allows outdoor application
- Comply with the requirement of outdoor installation
- Wide DC input voltage, maximum input voltage 1000VDC
- Special DC fuse for PV system
- Special SPD for PV system
- Easy to maintain
- Customized on demand (dimension, strings, DC fuse etc)

## Certificates

CQC



Model Explanation

SCR/SDR-8 M

① ② ③ ④

- ① PV combiner box without anti-reverse diode
- ② PV combiner box with anti-reverse diode
- ③ Max. input: 8 string reverse
- ④ Smart combiner box with monitoring function

## Technical data

Model (non- smart)	SCR/SDR-8	SCR/SDR-10	SCR/SDR-12	SCR/SDR-16
Max. DC input voltage	1000			
Number of input string	8	10	12	16
Current per DC fuse of string (A)	15			
Output terminal	PG21			
Protection level	IP65			
Environment temperature (°C)	-25~60			
Environment humidity	0~99%			
Output DC breaker	yes			
Lighting module	yes			
PV input reverse-polarity protection	Diode (Optional)			
Communication	no			
Dimension (W*H*D mm)	400*190*400 (SCR)	500*190*400 (SCR)		550*190*400 (SCR)
	400*225*480 (SDR)	470*225*480 (SDR)		600*225*500 (SDR)
Weight (kg)	20	24		28
Model (smart)	SCR/SDR-8M	SCR/SDR-10M	SCR/SDR-12M	SCR/SDR-16M
Max. DC input voltage	1000			
Number of input string	8	10	12	16
Current per DC fuse of string (A)	15			
Output terminal	PG21			
Protection level	IP65			
Environment temperature (°C)	-25~60			
Environment humidity	0~99%			
Output DC breaker	yes			
Lighting module	yes			
Smart Monitoring	String current inspection	yes		
	SPD failure inspection	yes		
	Output DC breaker inspection	yes		
PV input reverse-polarity protection	Diode (Optional)			
Communication	RS485			
Dimension (W*H*D mm)	400*190*500 (SCR)	480*190*500 (SCR)		550*190*500 (SCR)
	500*225*480 (SDR)	580*225*480 (SDR)		700*225*500 (SDR)
Weight (kg)	21	25		30

# Solar WiFi/Ethernet Data Logger

## Technical data

Inverter communication	RS485
Remote communication	WiFi (802.11 b/g)/Ethernet
Max. communication range (km)	<1
Communication rate (bps)	9600
WiFi communication range	300m in outdoor open area without obstruction
WiFi frequency (Hz)	2.4G
Data collection intervals	5minutes
Firmware updates	Serial/Wireless
Data access	Serial/WiFi point-to-point/remote server
Status display	4LEDs

### Electrical

Input voltage (V)	DC5
Static power consumption(W)	<1.6
Max. power consumption (W)	<2.5

### Environmental

Operating temperature (°C)	-10~+65
Operating humidity	10%~90% relative humidity, no condensation
Storage temperature (°C)	-40~+85
Storage humidity	<40%
Protection class	IP21

### Physical

Installation method	Wall mounted or flatwise
Certificates	FCC\CE\RoHS
Dimension (W*D*H mm)	110*80*26
Weight (g)	108



## WiFi Kit

Using wireless communication function, WiFi transfers information from the inverter to the remote server by router. Then customers obtain the information from the server by clients, such as PC, mobile phone, PAD and so on.

## Features

- A variety of communication methods available, including Ethernet, WiFi
- Can be connected to up to 32 inverters
- Quick installation and easy operation with "Plug & Play" function
- Easy access data via Internet anywhere and anytime, no additional software required
- Graphical display of PV system data on data logger

## Solar EM Environmental Monitor

Compact, easy to install. Acquisition a variety of environmental parameters, modular design, and the user can select the appropriate demand function to achieve cost optimization. RS485 communication and selection criteria MODBUS communications connect networking.



## Technical data

Model	WiFi Plug
<b>Communication</b>	
Inverter communication	RS232
Remote communication	WiFi (802.11 b/g/n)
Max. supporting number of inverter	1pc
Communication rate (bps)	9600
WiFi communication range	100m in outdoor open area without obstruction
Data collection intervals (min)	5 (default)/1~15 (Optional)
Firmware updates	Wireless
Data access	WiFi point-to-point/remote server
Preferences setting	Web server
Power source	Powered by RS232 port on inverter

### Environmental

Operating temperature (°C)	-25~+60
Storage temperature (°C)	-40~+80
Protection class	IP65

### General

Certificates	FCC/CE/C-tick
Dimension (W*D*H mm)	80*85*22

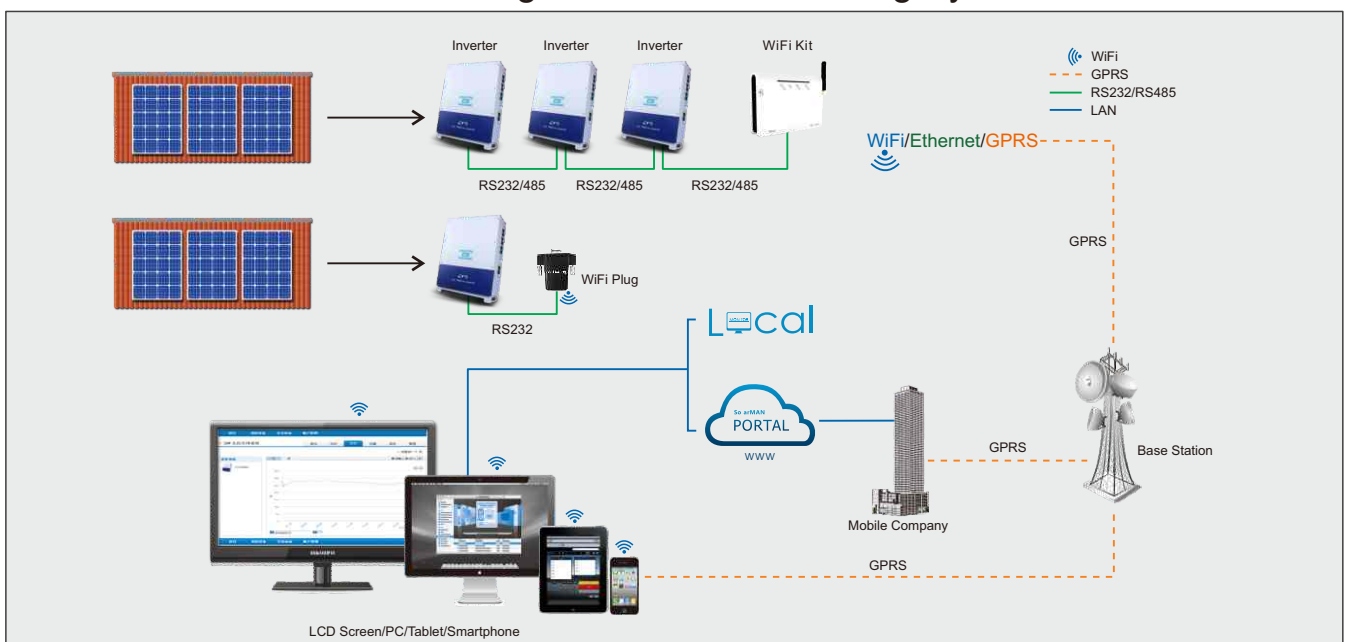


The new generation of WiFi Plug enables operation under AP and STA mode simultaneously, which means that users can directly get access to the internal Web Server via WiFi, and at the same time the module can connect to remote portal via WiFi, enabling users to monitor PV systems anytime and anywhere via Internet.

## Features

- Connect with inverters on its RS232 port, no additional external hardware
- WiFi (802.11 b/g/n) communication according to user requirements
- Remote monitoring via SolarMAN Portal
- Able to upgrade software of inverter via WiFi
- Optimized configuration interface makes setting procedures easier and faster

## JFY WiFi Plug & WiFi Kit Monitoring System



# Solardog Wireless Monitor

## Features

- Integrated large LCD display
- Bar chart display for historical output energy of PV system, for example, daily, monthly and yearly output energy
- Advanced wireless communication technology (Up to 120 meters in open area)
- Monitor up to 5 inverters, convenient to monitor small commercial or residential PV system
- Real time monitoring for output power of PV system, operation value and carbon saving data
- Error recorder and warning buzzer
- Integrated with earth faulty alarm



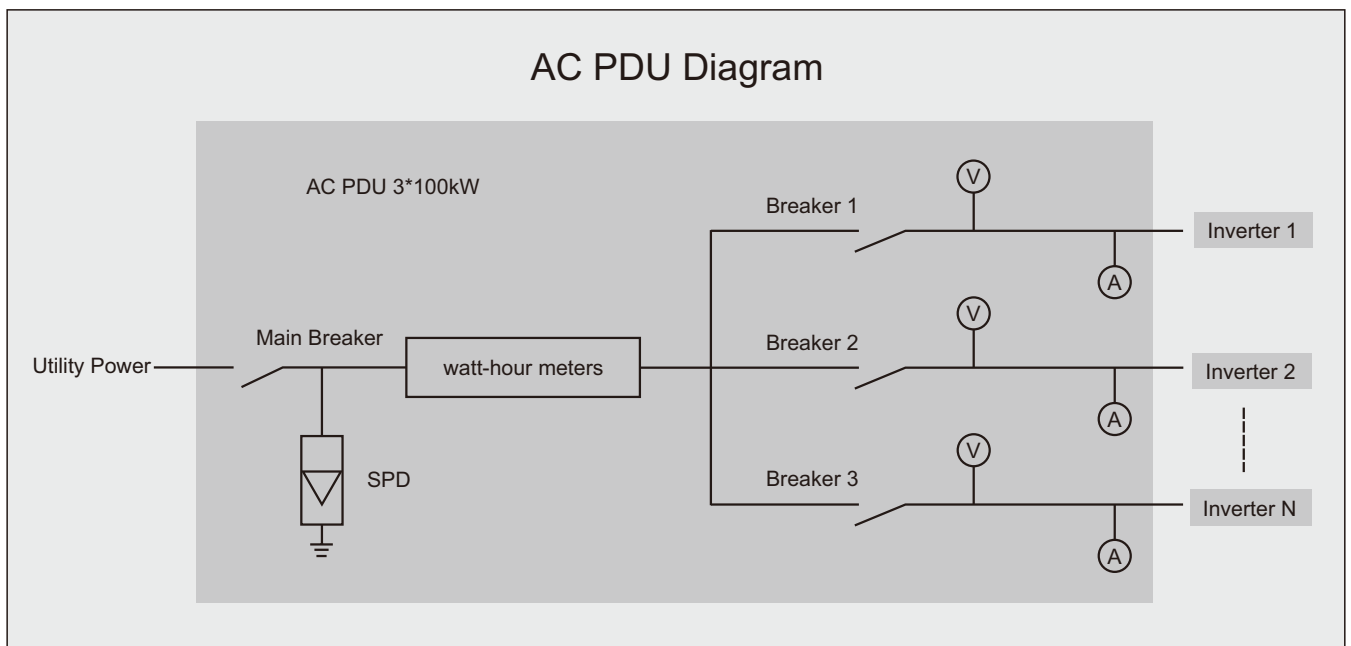
## Technical data

Name	Receiver Unit	Emitter Unit
Power source	AAA*3	Powered by RS232 port on inverter
Working current (mA)	<30	<120
Wireless transmission mode	433MHZ FSK	433MHZ FSK
Communication distance (m)	100	100
LCD display	90*76MM digital display	\
Installing type	\	Plug on RS232 port on inverter, each EU per inverter
Monitor the max. number of inverter	5	\
Max. number of connected emitter unit	5	\
Real-time power display	Yes	\
E-total display	Yes	\
E-history date display	Yes	\
Date display	D/M/Y	\
Time display	Yes	\
Error alarm	Yes/LCD display& warning buzzer	\
Stand-by current (mA)	<1	\
IP protection type	IP20 (Indoor type)	IP65 (Outdoor type)
Operation temperature range (°C)	0~+50	-25~+60
Warranty (years)	2	2

# AC Power Distribution Unit

## Features

- Power: 50kW~1260kW
- Simplify the wiring of solar system
- Easy to maintain and operate
- Increase reliability and safety of system
- Customized on demand (dimension, internal configuration)



## Technical data

Model	JFY-ACB300K	JFY-ACB500K	JFY-ACB1000K
Max. number of connecting inverter	3pcs*100kW	2pcs*250kW	2pcs*500kW
Nominal AC output power (kW)	300	500	1000
Max. AC output current (A)	476	1200	1800
Wiring	Copper bars		
SPD	Superior SPD		
Isolation	3000Vac, 1min		
Protection Level	IP20		
Dimension (W*D*H mm)	900*600*1800	1100*600*1800	1300*600*1800
Weight (kg)	155	190	250

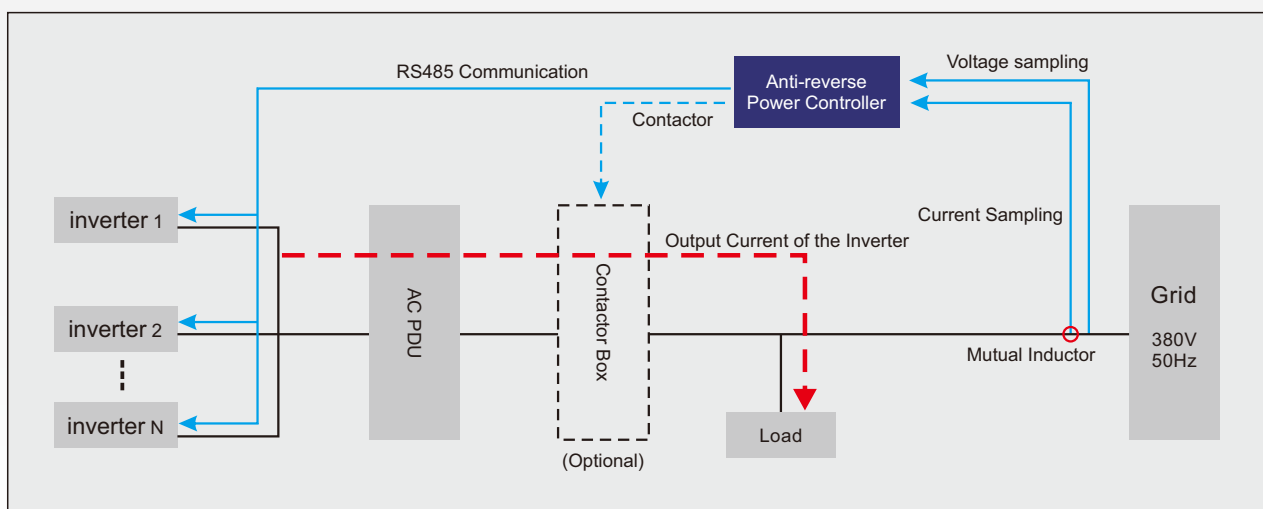
# Anti-reverse Power Controller



## Features

Anti-reverse power controller make sure that the solar energy supply the local load instead of the public utility by monitoring the voltage and current of the utility interface. When solar energy flows to the utility, it will reduce the output current of inverters; if the communication has problems or other system failures happen; it will totally stop the connection between the inverters and the utility power grid by disconnecting the breaker of AC PDU or turning off the inverter by preset program.

## Anti-reverse Power Diagram



## Technical data

Power (kW)	5~500
Number of connect inverter	Maximum 31pcs
Auxi-power	AC 220V 50Hz
No load power (W)	<50
Communication	RS485 communication
Display	LCD
Cooling	Air cooling
Operation temperature (°C)	-25~+55
Protection level	IP20
Precision	0.5S (0.5 CT)
Dimension (W*H*D mm)	239*215*42
Weight (kg)	1.8



# References

30MW PV Project in Xinjiang Production and Construction Corps



6.5MW Photovoltaic Grid Project in Hefei



30MW PV Project in Alashan Economic Development Zone



5MW Photovoltaic Power Generation in Weifang



Guodian 2.58MW Photovoltaic Project in Beijing



2.5MW Rooftop PV Grid Project in Guangzhou Industrial Park



500kW On-grid PV Project in Shenzhen North Railway Station



300kW Rooftop PV Project in Shenzhen Industrial Park



1MW Rooftop PV Project in Jiangsu Electric Power



1.5MW Distributed Generation Project in Hohhot Middle School



The First 10kW Household PV Project in China Southern Power Grid



The First 10kW Household PV Project in Sichuan



**3MW Rooftop Photovoltaic Project in Jiangxi Province**



**100kW Rooftop Photovoltaic Project in Yingtan**



**20kW Household PV Project in Nanjing**



**5kW PV Project of Country Garden in Jingmen**



**The First 2kW Household PV Project in Ningxia**



**2kW Household Distributed Photovoltaic Project in Shandong**



**10kW Distributed Photovoltaic Project in Handan**



**12kW Distributed Photovoltaic Project in Huaihua**



**1.2MW Rooftop Distributed PV Project in Bangkok, Thailand**



**100kW PV Project in NSW, Australia**



**100kW PV Project in Sydney, Australia**



**40kW Temple Project in Ban Nong Hua Khu City**





# References

40kW Temple Project in Pha Nam Yoi (Isan Buddhist Park )



20kW Temple Project in Ubon Ratchathani Province, Thailand



20kW Temple Project in Ban Mai Nakhon Sawan, Thailand



24kW Household PV Project in Delhi, India



20kW Household PV Project in Australia



10kW Household PV Project in Australia



15kW Brickfield PV Project in Pi Pathum Maha Sarakham, Thailand



10kW PV Project in Queensland, Australia



5kW Household PV Project in Australia



1.5kW PV Project in Santiago, Chile



5kW Household PV Project in Sri Lanka



20kW PV Project in Tasmania, Australia



# Export to more than 50 Countries



## 30MW PV generation station in Inner Mongolia, China

Total system capacity 30MW utilizing a total of 29 sets of 1 MW inverter units.

Each megawatt inverter unit contains two sets SUNFORST-500KT concentrated photovoltaic grid-connected inverters and housings with related intelligent ventilation systems, fire protection, lighting and power distribution systems.

The project is expected to generate 30 thousand kWh per hour in peak sunlight conditions. The project generates in excess of 31 million kWh average annual, saves more than 12,000 tons of standard coal and reduces carbon dioxide emissions of nearly 45,000 tons.

The Datang company is a large enterprise group directly managed by the state.

This project cooperation with Datang demonstrates JFY's product performance, quality, capability and commitment to research and development.

## 30MW demonstration PV generation station in Luoyang, China

30MW total installed capacity requiring a total investment of 330 million yuan. The project is installed on the roof of 25 manufacturing buildings with a total area of over 350,000 square meters.

The project includes 26 PV power stations and is expected to be generating 30 thousand kWh per hour in peak sun conditions. The project generates more than 31 million kWh average annual and saves more than 12,000 tons of standard coal, reducing carbon dioxide emissions of nearly 45,000 tons.

## 15,000 units off-grid power in northwest area of China

In the remote northwest area there is an electricity shortage which presents a major inconvenience to the residents. 500VA off-grid power by JFY utilizes built in solar controllers and inverters to provide easy to use household sized units for each family to bring stable power to meet their lighting, heating and other basic household appliance needs.

## 150,000 units string inverter in global market

### First home PV system in China

### 5.2MW PV generation system in Jiangxi, China

### 5MW PV generation system in Shandong, China

### 6.5MW PV generation system in Hefei, China

### 2.5MW PV generation station in Guangzhou, China

### 1.63MW PV generation station in Shandong, China

### 2.58MW PV grid-connected system in Beijing, China

### Demonstration PV system in Jiangxi, China

### Demonstration PV system on roof in Jiangxi, China

### Distribution PV system in Hohhot, China

...



# Some Honors and Certifications

## Patents

National Hi-tech Enterprise  
Honest And Trustworthy Enterprise  
China Top 10 PV Inverter Enterprise



## Certificates



## TV Reports



China central television reported



China guangxi TV reported



China gansu TV reported

Hotline: 400-871-6000

Tel: +86-755-8179 5460/2663 2536      FAX: +86-755-2650 5986

Email: support@jfy-tech.com      Website: www.jfy-tech.com

AU Service: www.jfytech.com.au      Europe Service: www.jfy europe.com

Headquarters: 12th Building, Nangang Second Industrial Park, SongBai Road, XiLi Town, NanShan District, ShenZhen, P.R.China

Factory: D Building, No. 10, TongFu Road, TangXiaYong Block, SongGang Town, BaoAn District, ShenZhen, P.R.China



Shenzhen JingFuYuan Tech Co., Ltd Copyright, without permission, organizations and individuals do not do any full or partial reproduction, reproduced, imitated. This information has JingFuYuan Tech Co., Ltd printing, only the relevant information for JFY power products, as specified in the product parameters, size, appearance, etc., are subject to change without notice, to the actual subject.