

Navigation Light TYP 580 Edition Operating Manual

The navigation lights of the Type 580 Edition comply with the regulations of the COLREG 1972 regarding minimum range of visibility, luminous intensity of horizontal and vertical sectors, and colour specifications for vessels up to 50 metres (tricoloured lights and bicoloured sidelight are for vessels up to 20 metres). All products are approved by the Bundesamt für Seeschifffahrt und Hydrographie (BSH) according to DIN EN 14744, DIN EN 60945 and UL 1104, MED and Seeschifffahrt BSH/4612/6010882/08.

All navigation lights of the TYP 580 Edition can either be run with 12 VDC or 24 VDC (T 5nm only 24 VDC). Each navigation light is equipped with an operation-hour counter. After 20,000 operating hours the navigation light will flash three times when turned on. The minimum range of visibility cannot be guaranteed after this amount of operating hours and the navigation light has to be replaced. A replacement of the light source can only be conducted by the manufacturer. The product can be sent in to the manufacturer for this purpose.

Mounting Instructions

The mounting of the navigation lights has to be done in accordance with COLREG 1972. Mount the navigation light at its position by paying attention to the 'zero-ahead' direction mark at the bottom of the light and place the distance glands (incl.) between light and holding device.

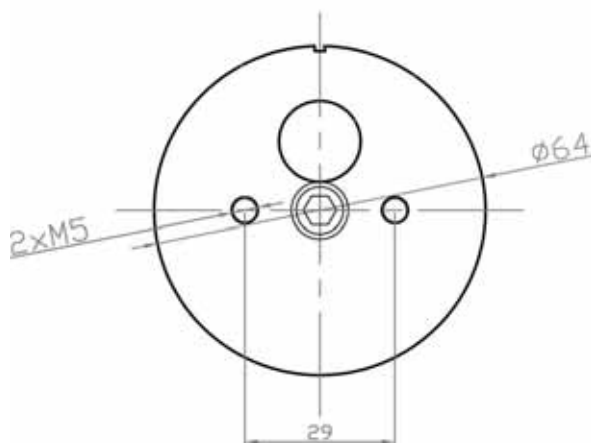
Cable Marking of the Tricoloured Light with Anchor light

yellow/green	⇒	negative pole
1	⇒	tri-coloured navigation light
2	⇒	anchor light

With all other lights the polarity is important too.

Attention!

With opening the navigation lights you will lose the warranty on the safety class. With a change of the supplied connection cable by the buyer all warranty becomes void since it requires opening the light and modifying the electronics. To maintain warranty such job may only be done by the manufacturer.



Dimensions: View from the bottom

Installation with Mastbracket

