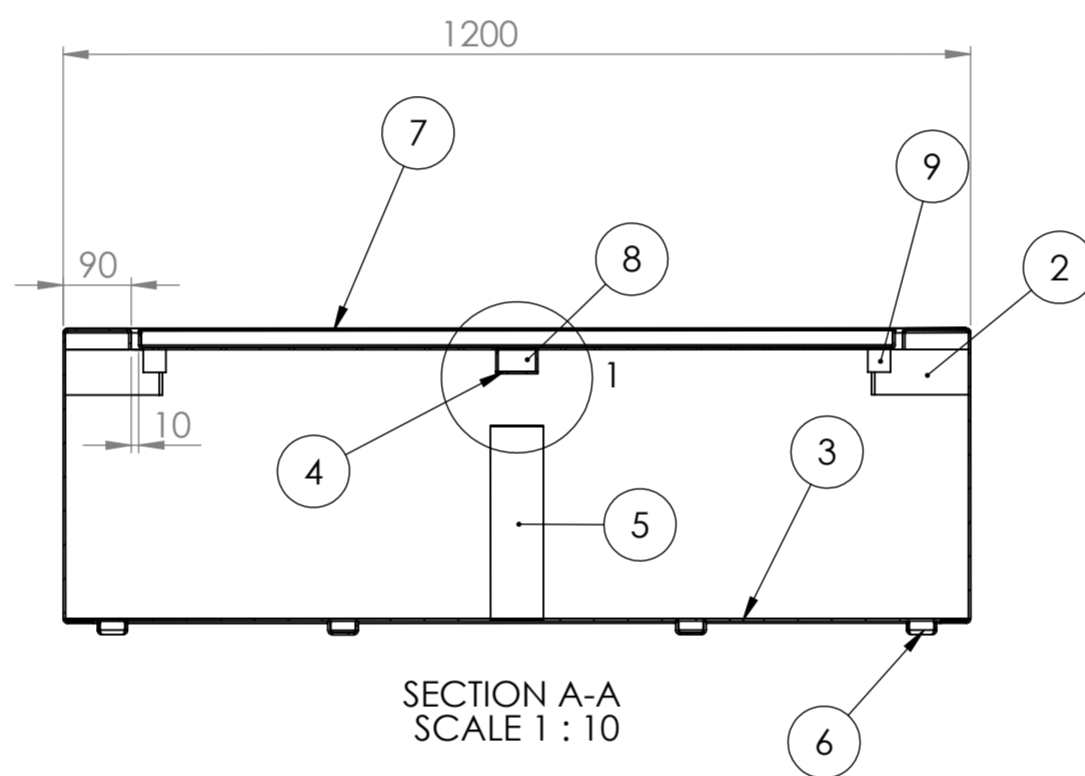
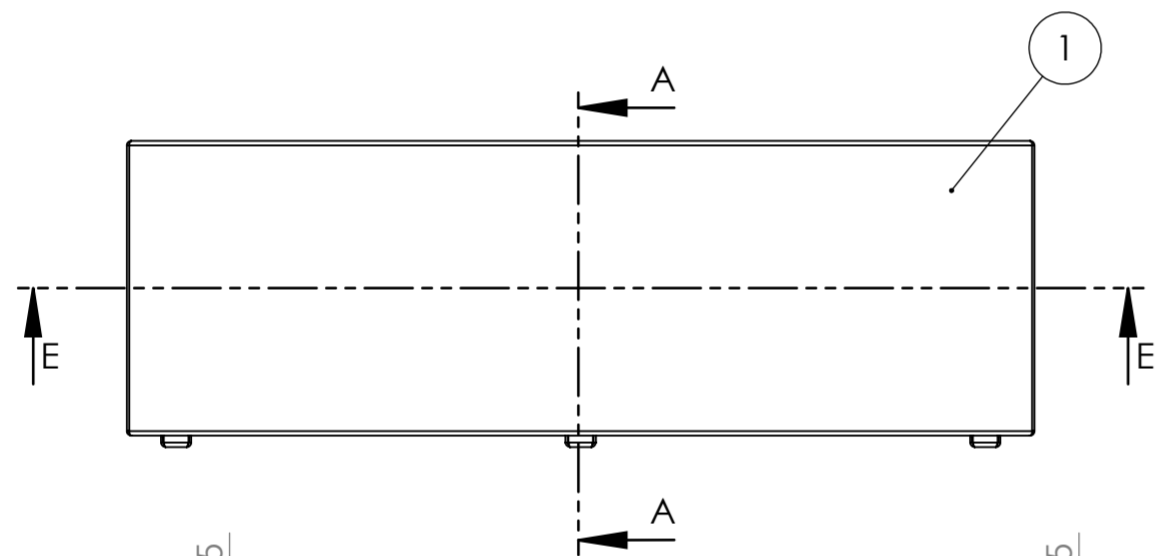
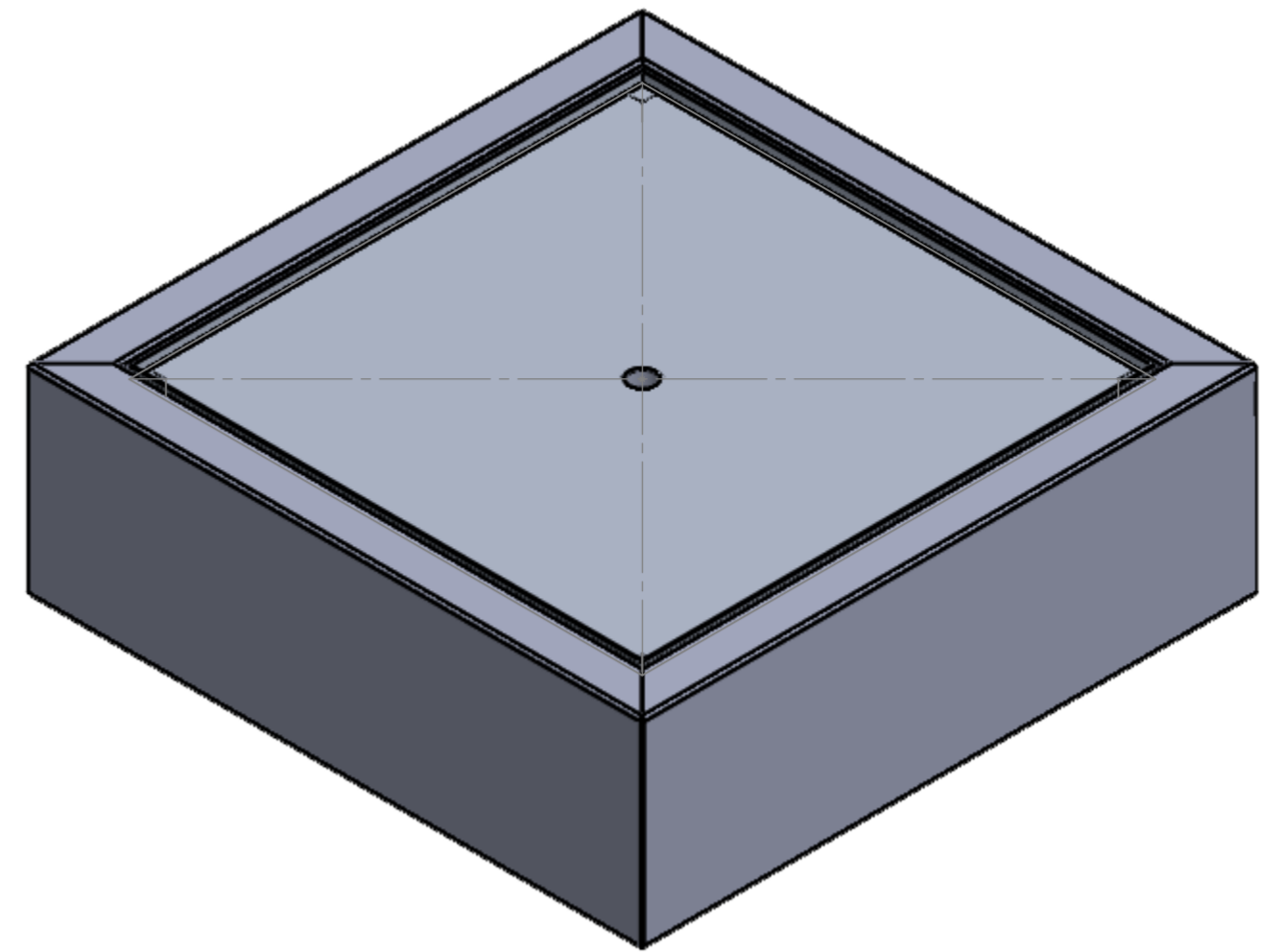
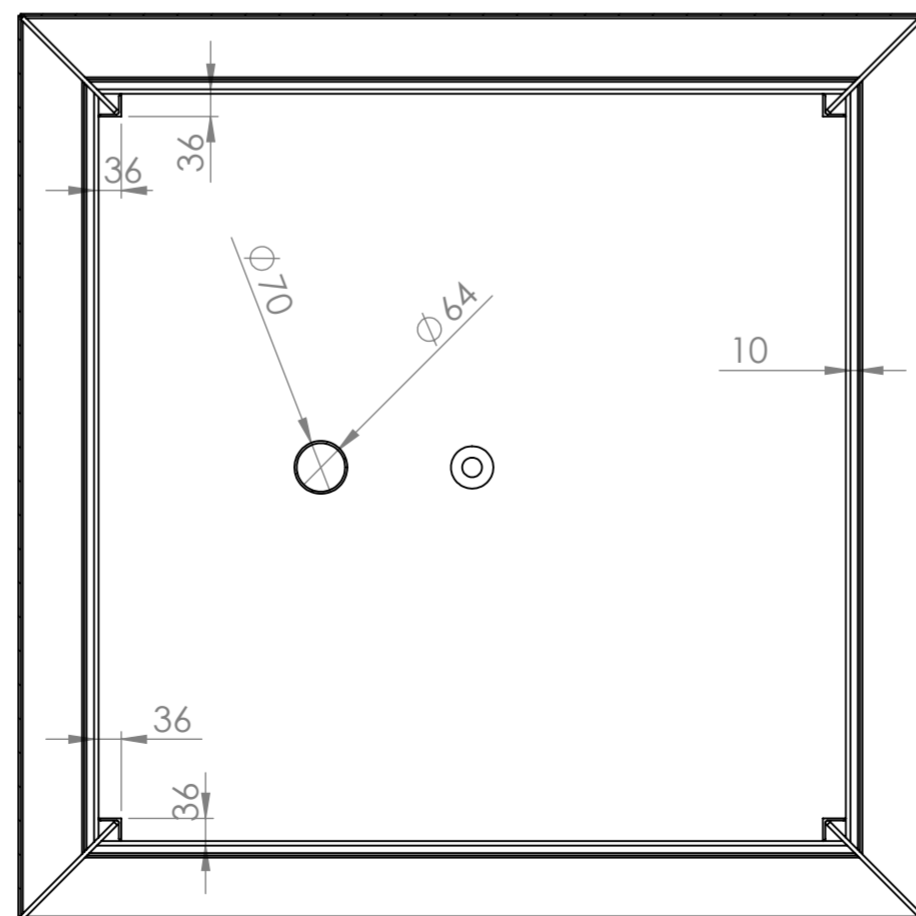
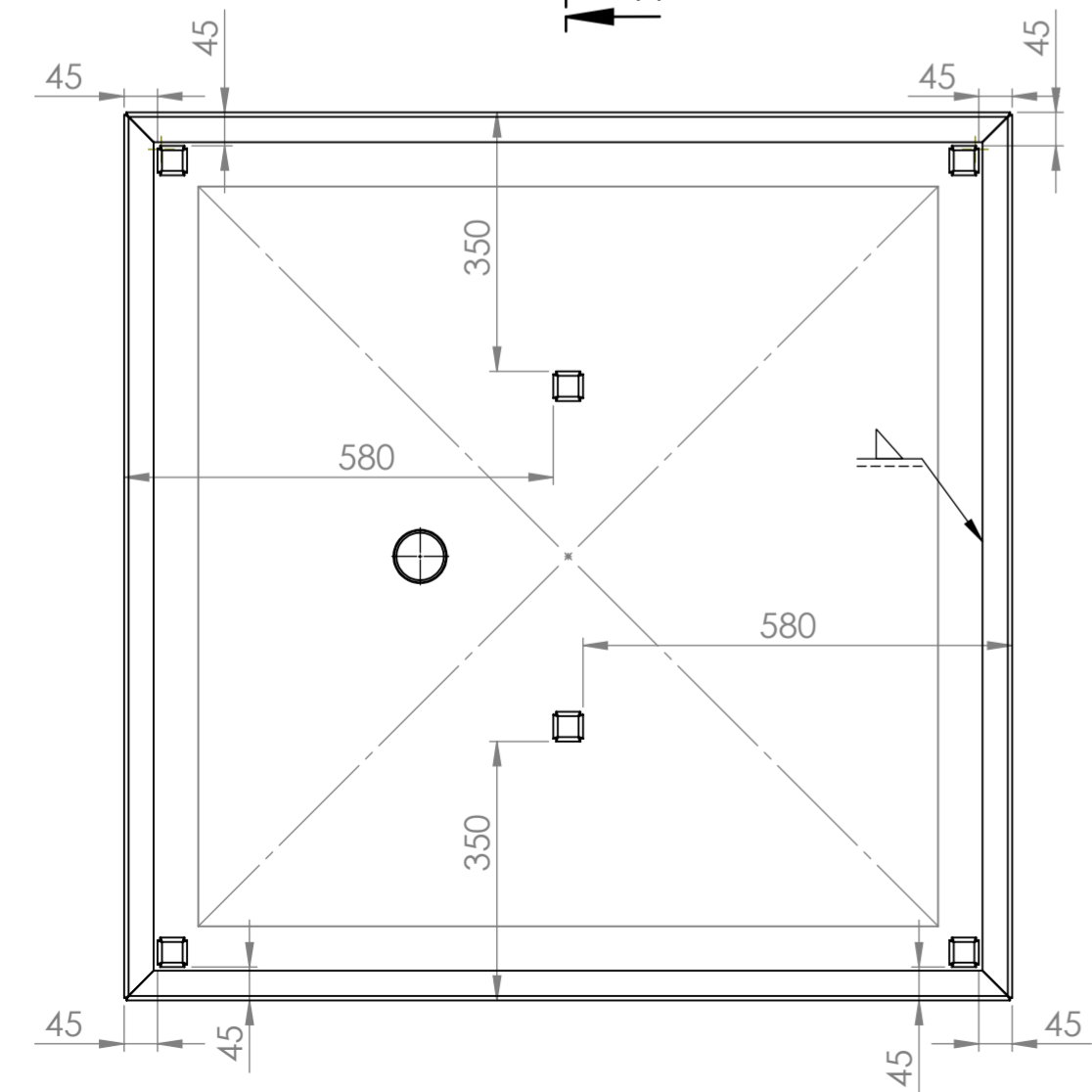


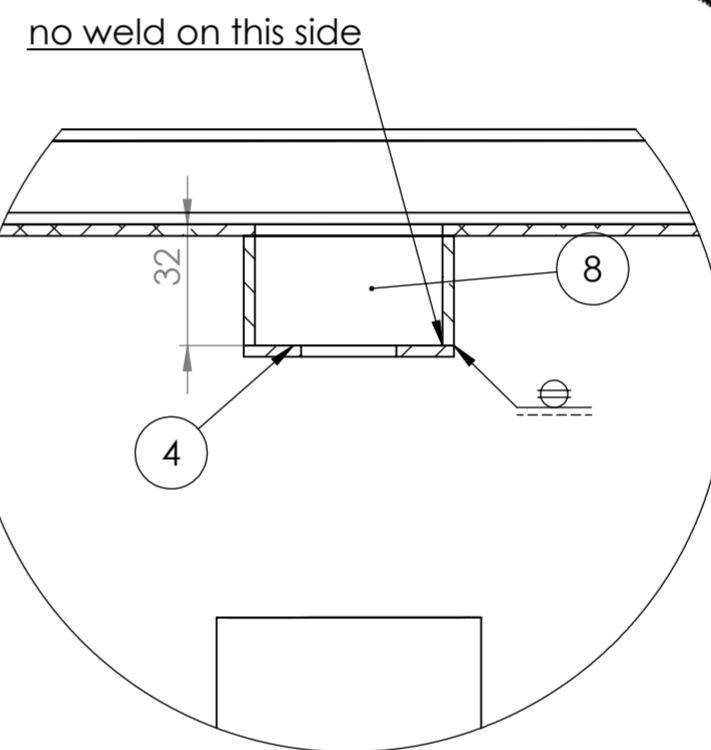
SECTION B-B  
SCALE 1 : 10



SECTION A-A  
SCALE 1 : 10



SECTION E-E  
SCALE 1 : 10



DETAIL 1  
SCALE 1 : 2

3 all welds

ITEM NO.	PART NUMBER	DESCRIPTION	QTY.
1	AB1-Site		4
2	AB1-Strip		4
3	AB1-Bottom		1
4	Ring top		1
5	AB1-pipe		1
6	FeetAB1		6
7	AB1-Cover		1
8	AB1-pipe cover		1
9	AB1-L-		4

DRAWN	R.Langens	DATE	00-00-00	TITLE:	
REVISION					
		Mandenmakerstraat 9, 5405 BJ Uden Postbus 607, 5400 AP Uden (NL) t 0031 (0)413 - 27 41 68. e info@adezz.com, i www.adezz.com		DWG NO.	AB1 Aluminium
MATERIAL:		WEIGHT:		SCALE: 1:20	SHEET 1 OF 10

3 all welds