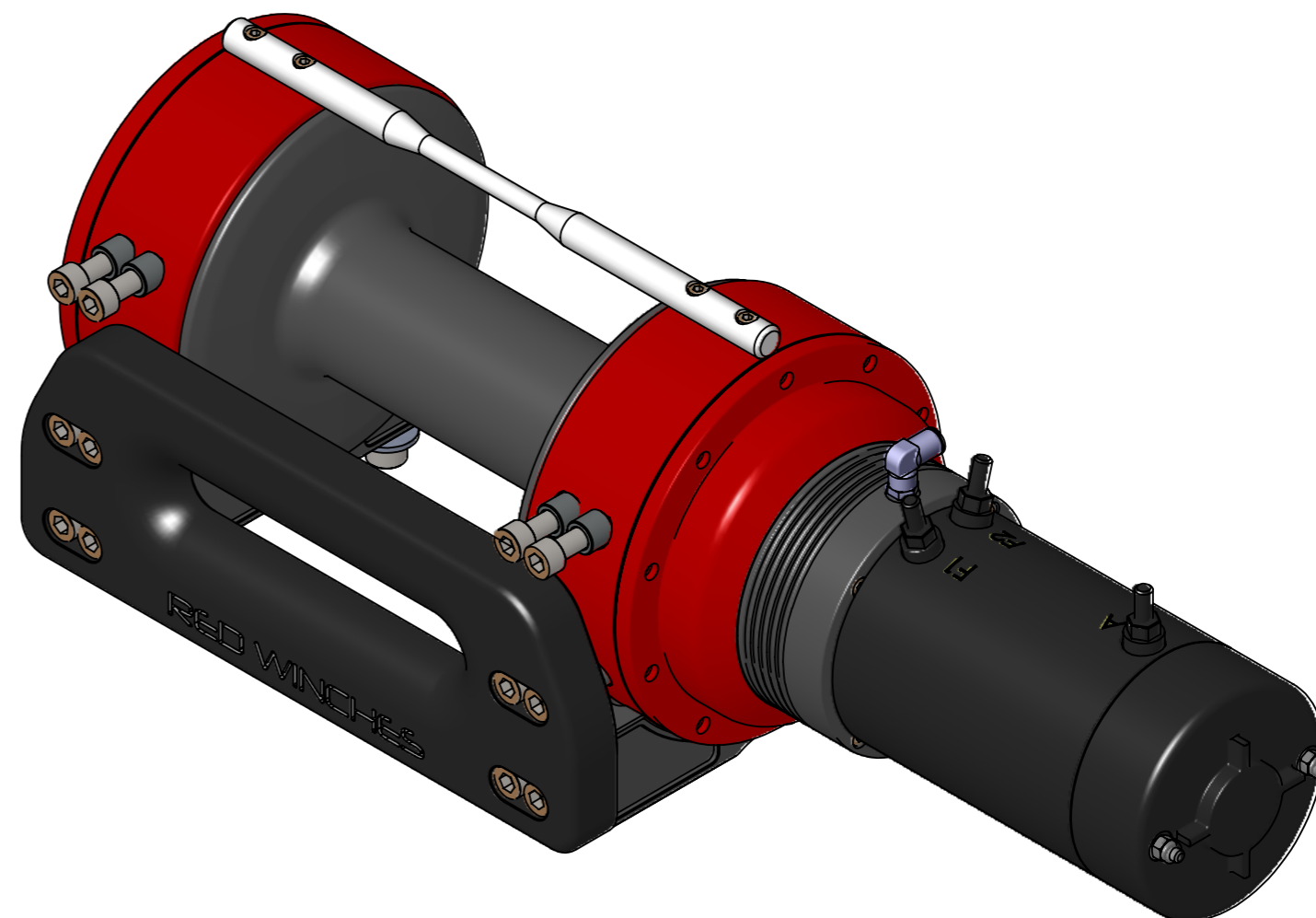




RED Winches

VIPER - SINGLE MOTOR WINCH WORKSHOP MANUAL WITH DRAWINGS

- SHEET 1: FRONT COVER
- SHEET 2: DIMENSIONS
- SHEET 3: FUNCTIONS
- SHEET 4: MOUNTING OPTIONS
- SHEET 5: EXPLODED VIEW
- SHEET 6: ELECTRICAL SETUP
- SHEET 7: PARTS LIST
- SHEET 8: LUBRICATION



This winch is part of a group of winches whose designs have undergone extensive testing. The end user can now enjoy a professional highly engineered high performance electric winch capable of operating in the most demanding of situations. The small compact size combined with its pulling power make it an ideal winch for maximum impact when faced with minimal installation space.

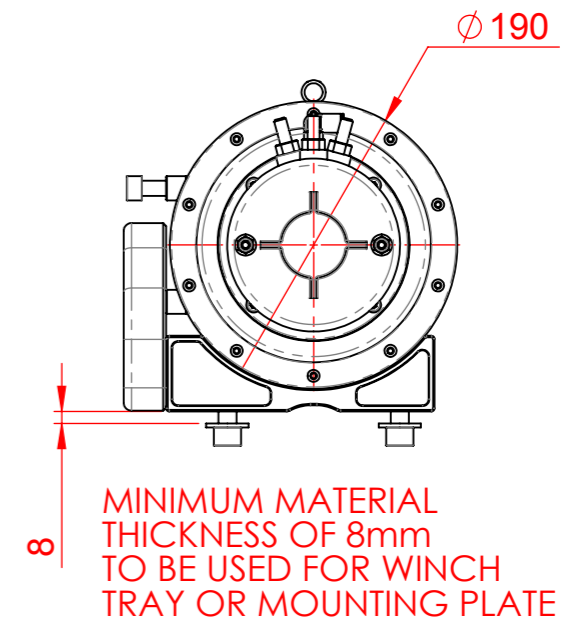
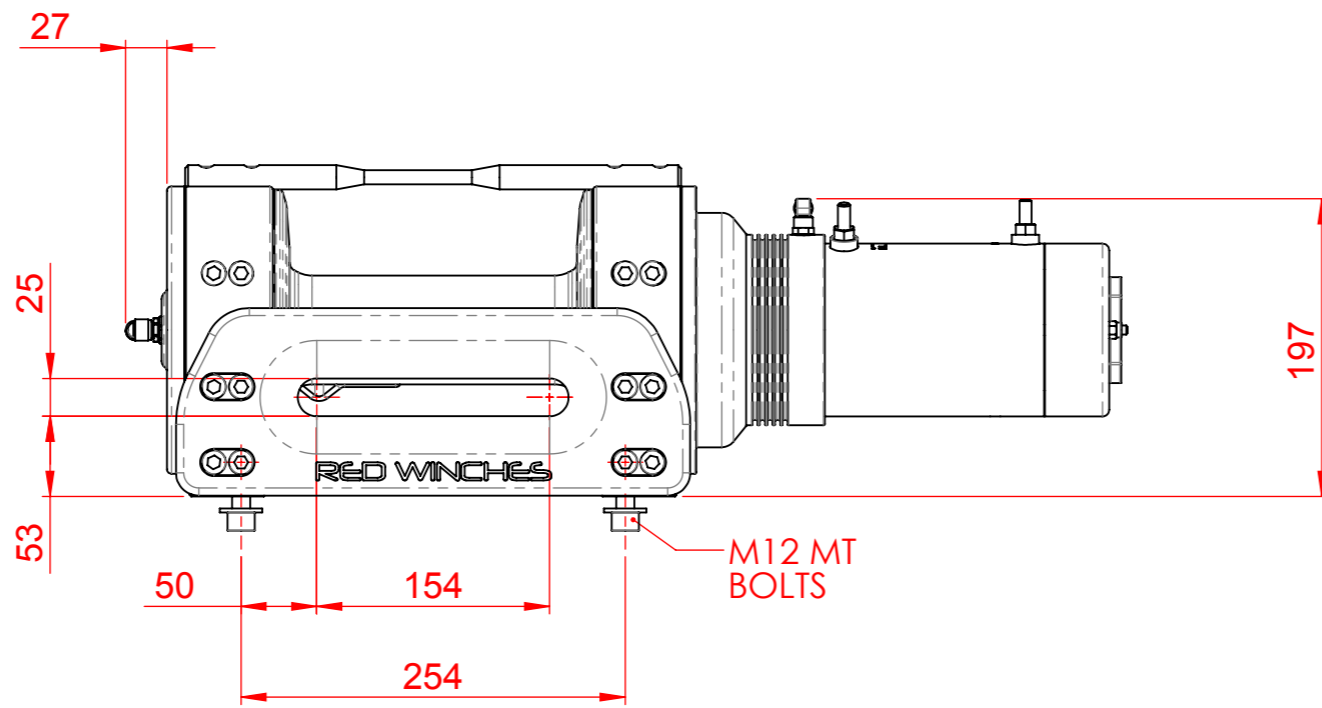
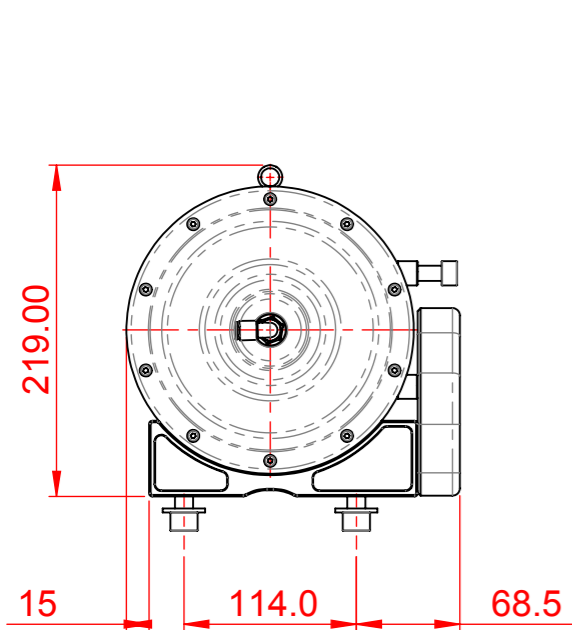
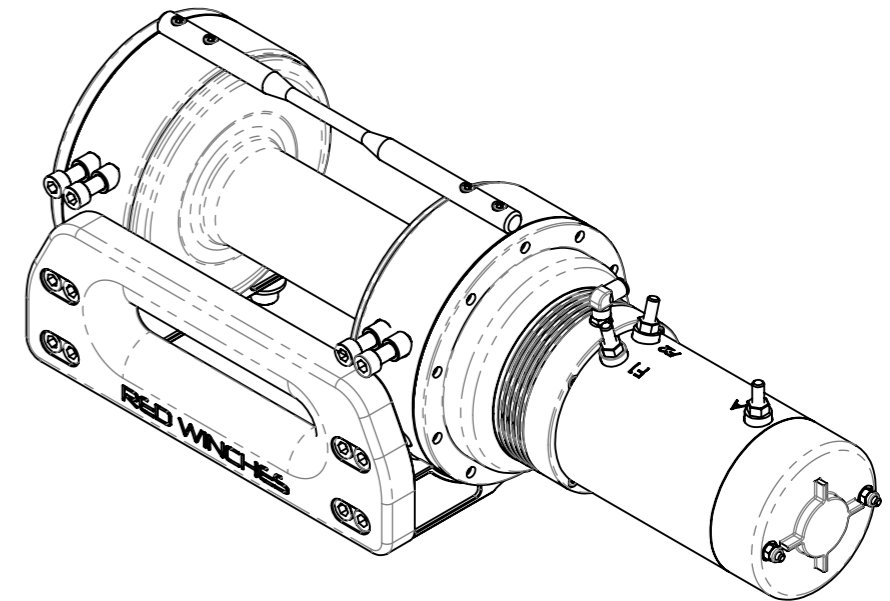
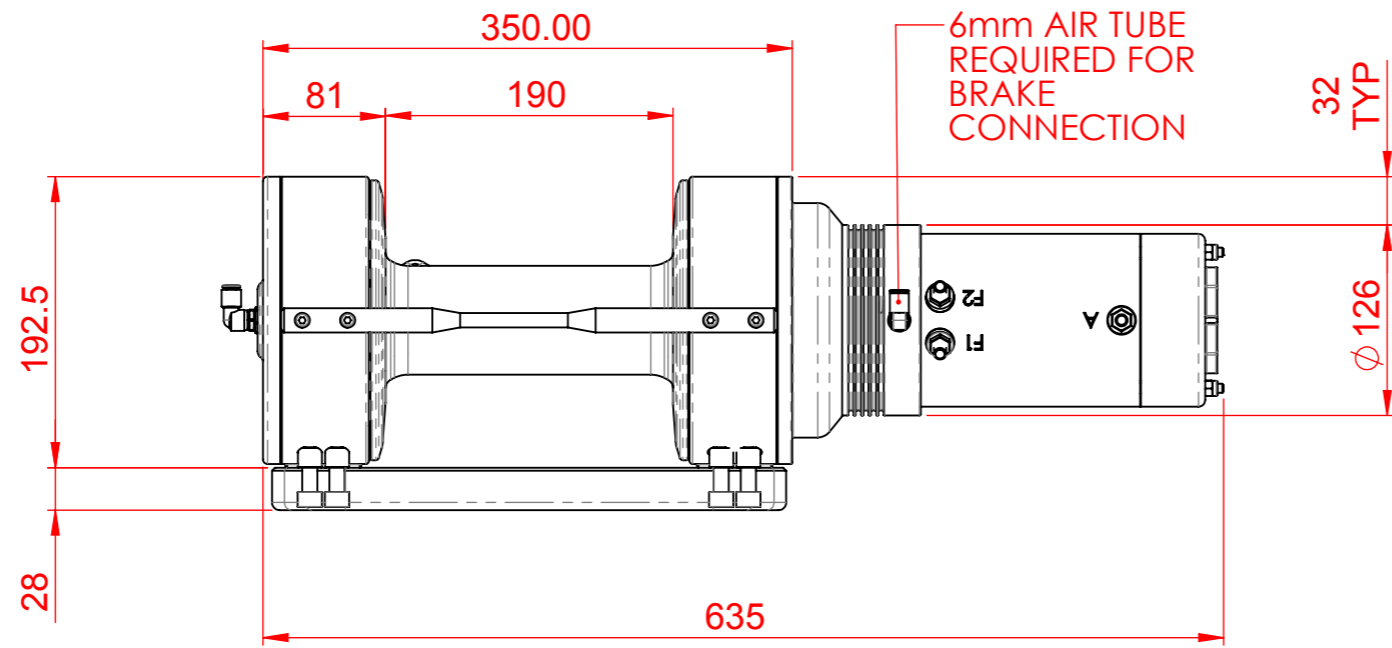
RED Winches	www.red-winch.com ULTIMATE PERFORMANCE PRODUCTS
DRAWING NUMBER: VIPER-MANUAL	SCALE: 1:3 SHT 1 OF 8
Drawing not to be reproduced or distributed in any format or method without specific permission from Redstart/Design.	

TITLE

**RED WINCH VIPER - TITLE PAGE
SINGLE MOTOR - HIGH PERFORMANCE WINCH**

Telephone: +44 (0)1460 67744
Email: sales@red-winch.com

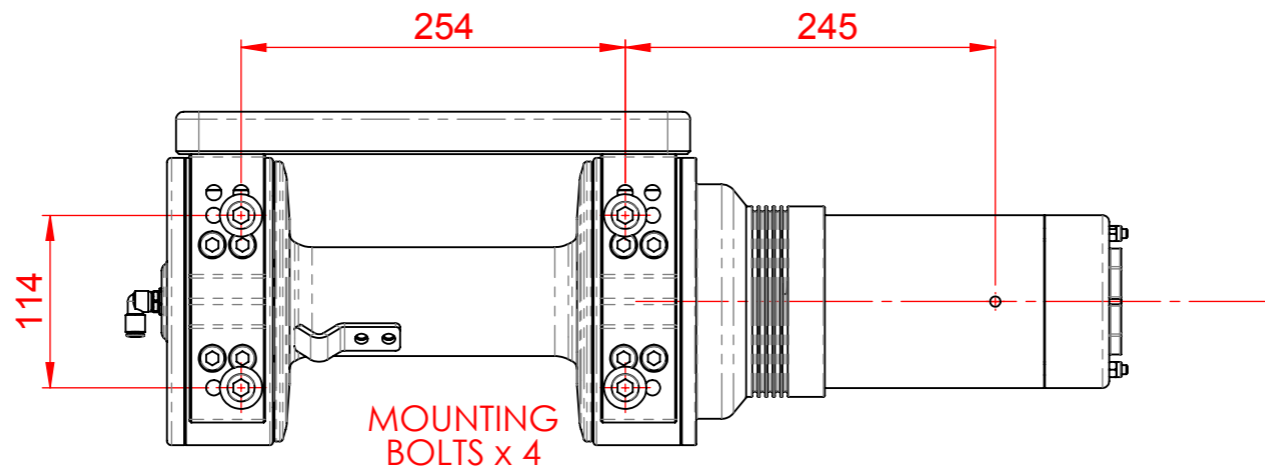
REV.	DATE	DESCRIPTION	CHANGED BY
A	01/12/2011	FIRST ISSUE	NJ



NETT WEIGHT: 30 Kg
PACKED WEIGHT: 38 Kg

ENSURE ALL FASTENERS ARE TORQUED TO THE CORRECT VALUES

LOCTITE 234 (THREADLOCKER) TO BE APPLIED ON ALL FASTENERS WHEN WINCH IS FITTED



UNLESS SPECIFIED	
FASTENER	TORQUE
M6	10 Nm
M8	24 Nm
M10	45 Nm
M12	80 Nm
M16	160 Nm
M20	200 Nm

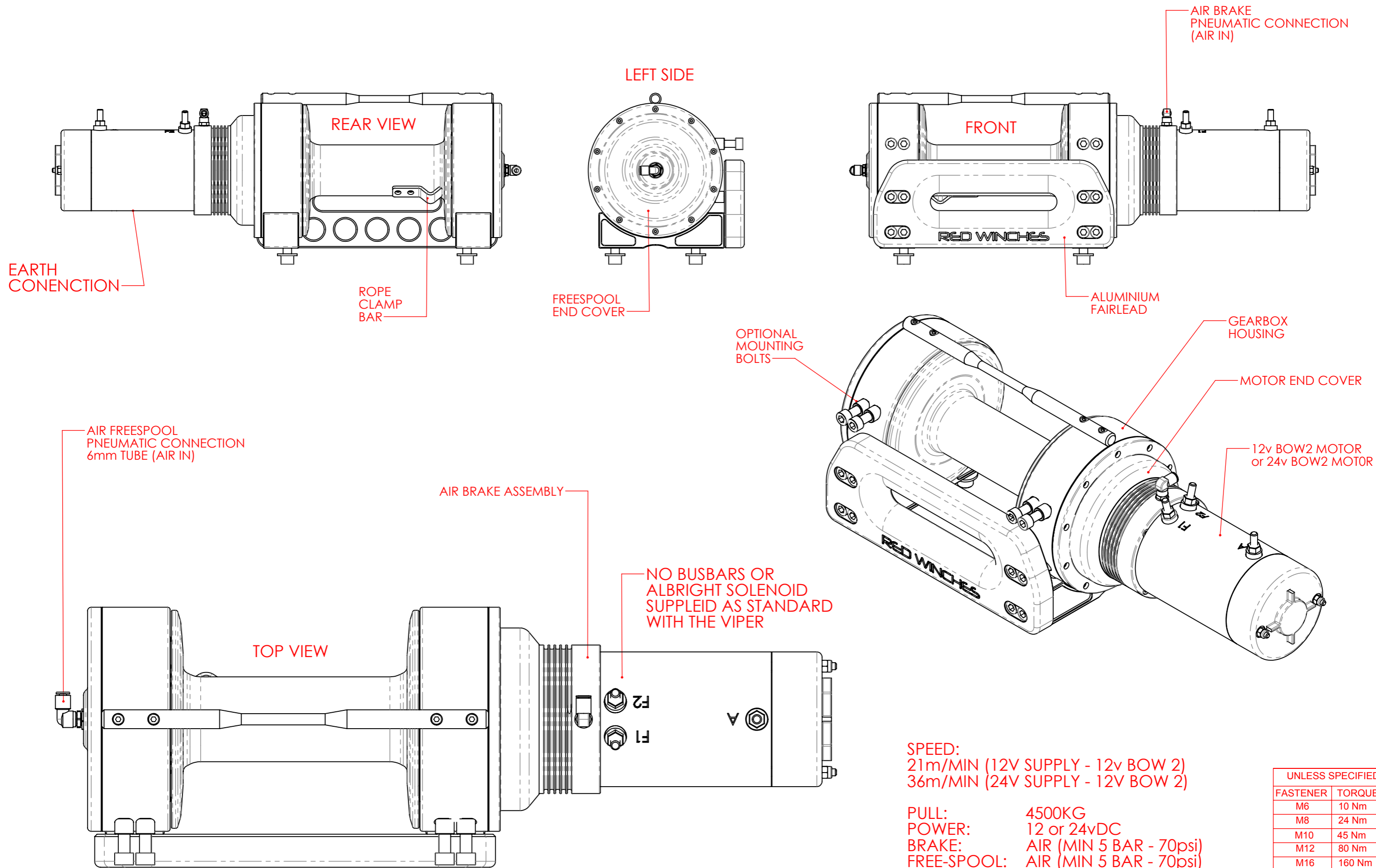
TITLE **RED WINCH VIPER - DIMENSIONS / LAYOUT**

Telephone: +44 (0)1460 67744
Email: sales@red-winches.com

RED Winches www.red-winches.com
ULTIMATE PERFORMANCE PRODUCTS

DRAWING NUMBER: VIPER-MANUAL SCALE: 1:5 SHT 2 OF 8

Drawing not to be reproduced or distributed in any format or method without specific permission from Redstart/Design.



SPEED:
 21m/MIN (12V SUPPLY - 12v BOW 2)
 36m/MIN (24V SUPPLY - 12V BOW 2)

PULL: 4500KG
POWER: 12 or 24vDC
BRAKE: AIR (MIN 5 BAR - 70psi)
FREE-SPOOL: AIR (MIN 5 BAR - 70psi)

UNLESS SPECIFIED	
FASTENER	TORQUE
M6	10 Nm
M8	24 Nm
M10	45 Nm
M12	80 Nm
M16	160 Nm
M20	200 Nm

TITLE **RED WINCH VIPER - FEATURES AND COMPONENT PARTS**

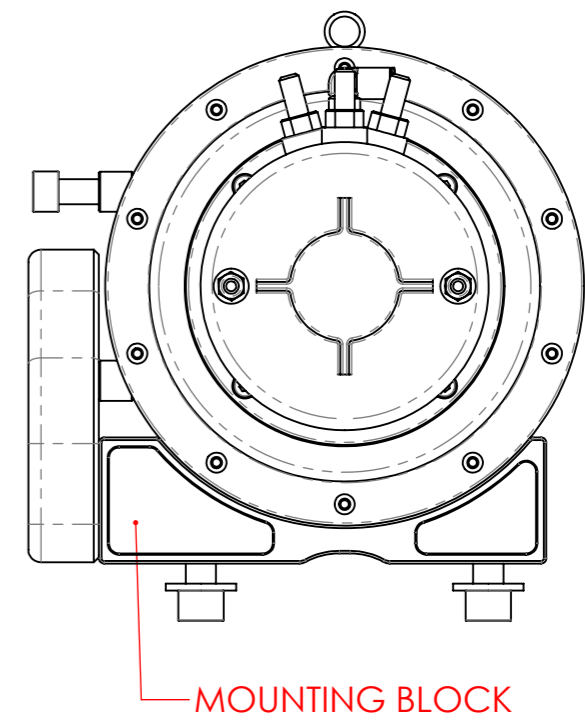
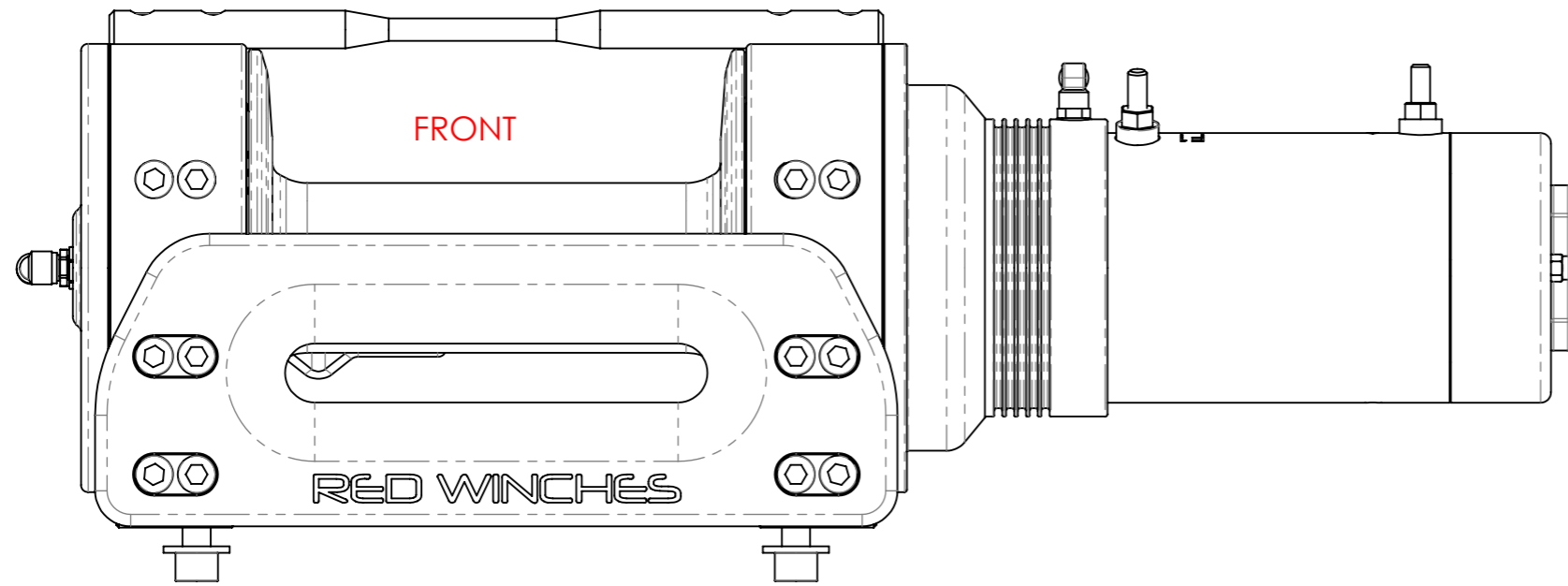
Telephone: +44 (0)1460 67744
 Email: sales@red-winches.com

RED Winches www.red-winches.com
 ULTIMATE PERFORMANCE PRODUCTS

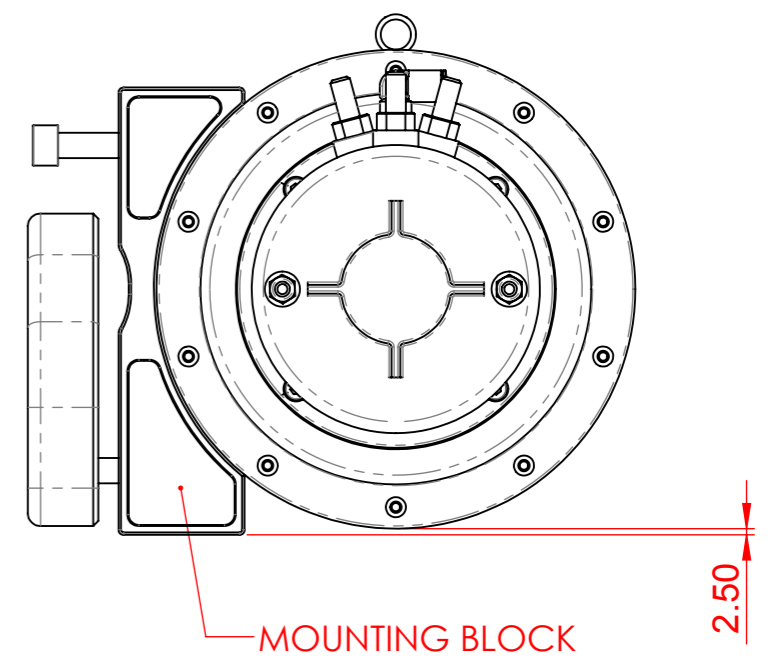
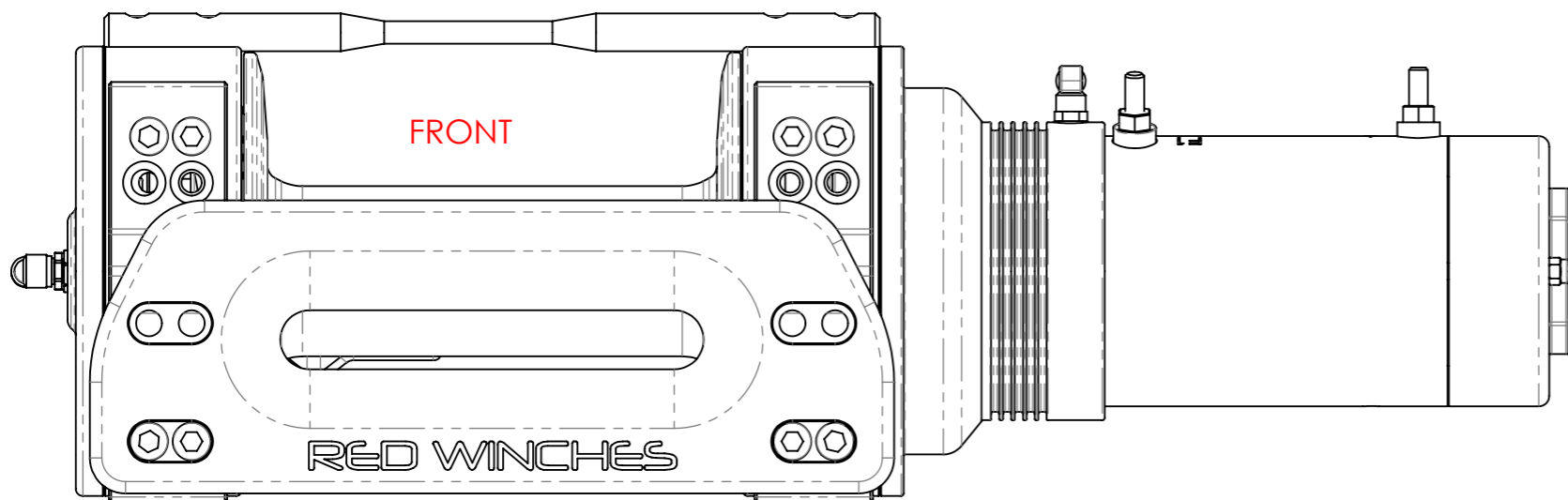
DRAWING NUMBER: **VIPER-MANUAL** SCALE: **1:3** SHT 3 OF 8

Drawing not to be reproduced or distributed in any format or method without specific permission from Redstart/Design.

STANDARD MOUNTING PATTERN - ALWAYS MOUNT INTO YOUR WINCH TRAY OR PLATE USING THE MOUNTING BLOCK



FRONT MOUNTING PATTERN - ALWAYS MOUNT INTO YOUR WINCH TRAY OR PLATE USING THE MOUNTING BLOCK



TITLE **RED WINCH VIPER - MOUNTING SETUP**

Telephone: +44 (0)1460 67744
Email: sales@red-winches.com

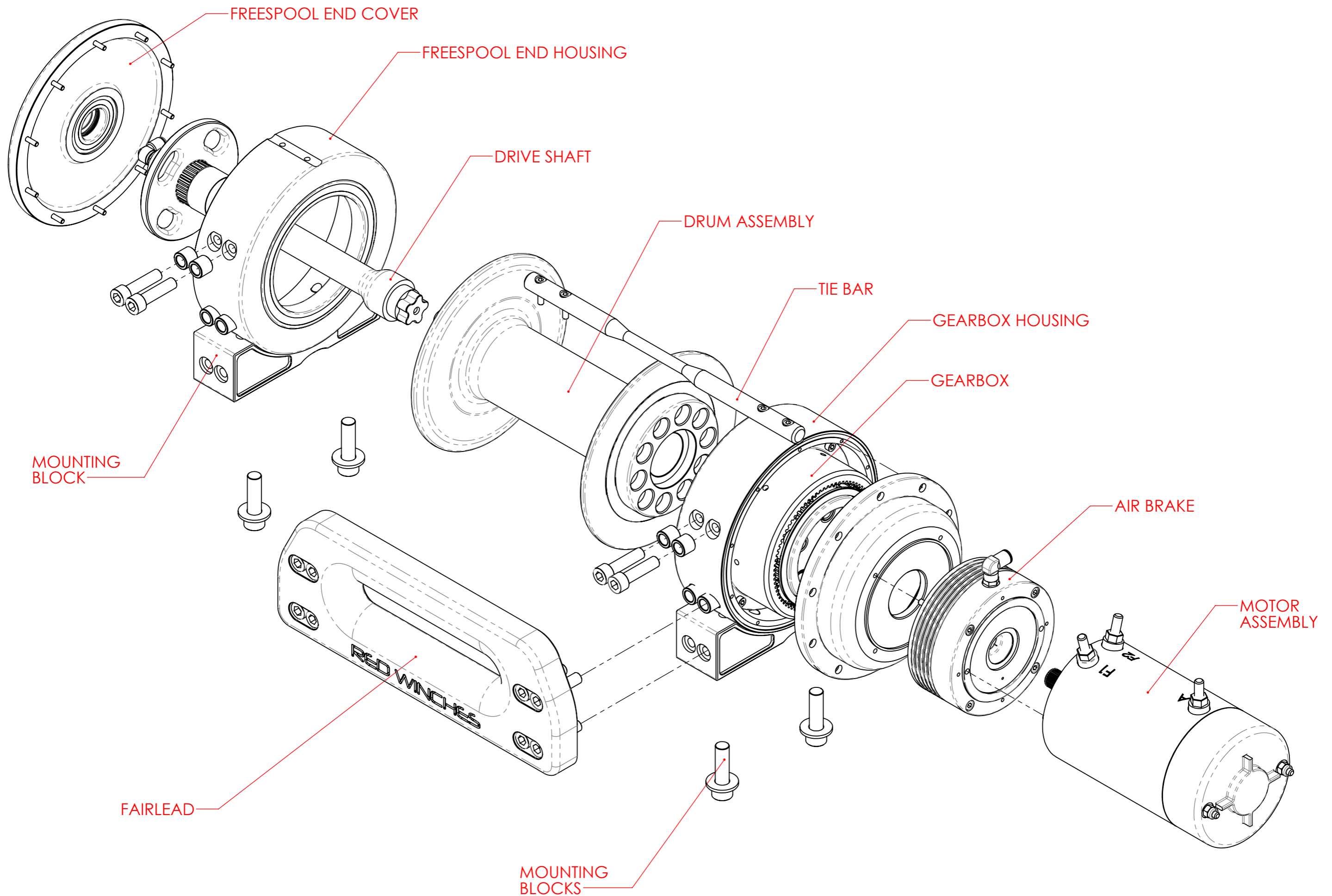
RED Winches

www.red-winches.com
ULTIMATE PERFORMANCE PRODUCTS

DRAWING NUMBER:
VIPER-MANUAL

SCALE
1:3
SHT 4
OF 8

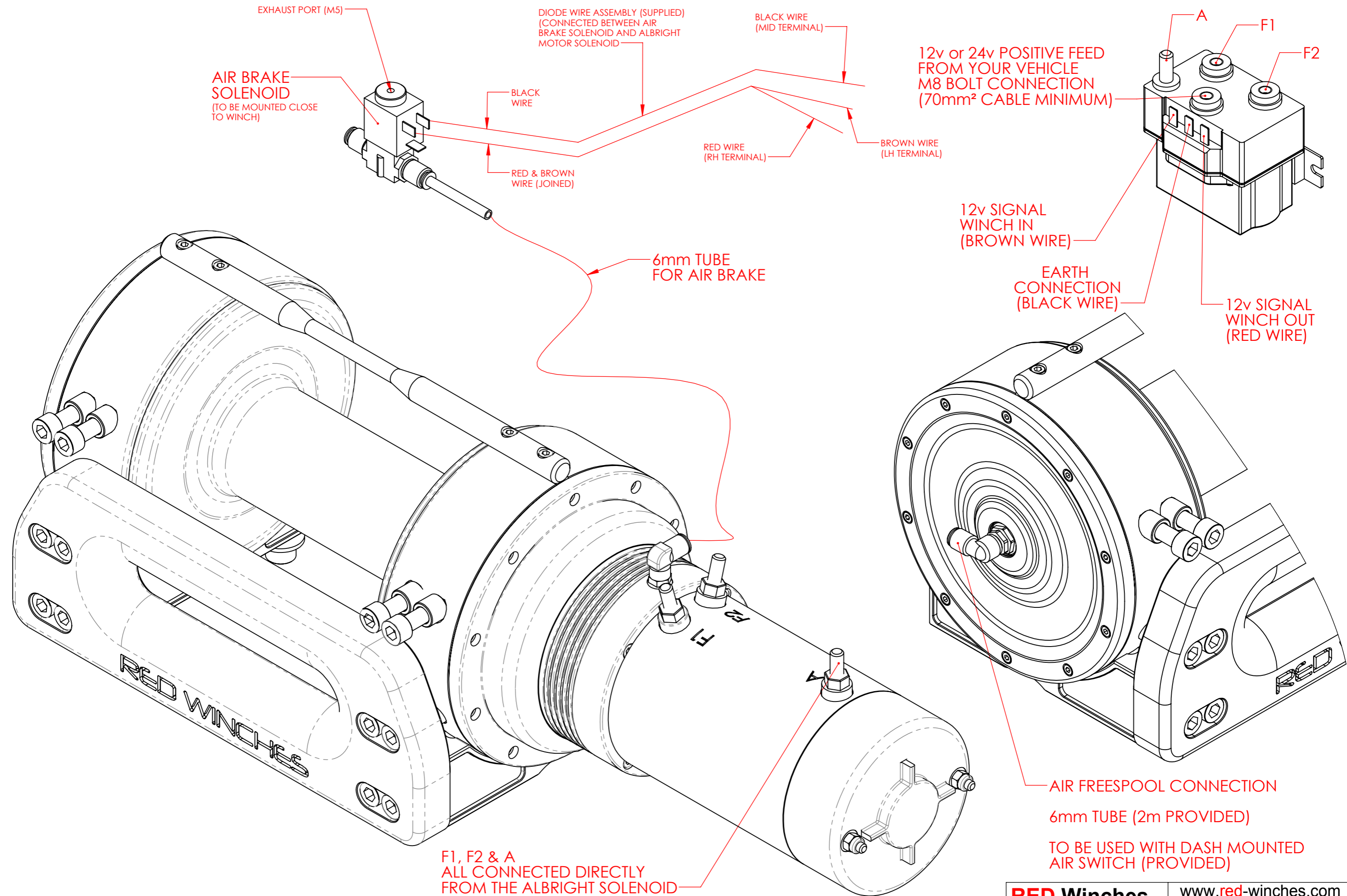
Drawing not to be reproduced or distributed in any format or method without specific permission from Redstart/Design.



TITLE **RED WINCH VIPER - EXPLODED VIEW**

Telephone: +44 (0)1460 67744
 Email: sales@red-winches.com

RED Winches	www.red-winches.com	
	ULTIMATE PERFORMANCE PRODUCTS	
DRAWING NUMBER: VIPER-MANUAL	SCALE: 1:3	SHT 5 OF 8
Drawing not to be reproduced or distributed in any format or method without specific permission from Redstart/Design.		

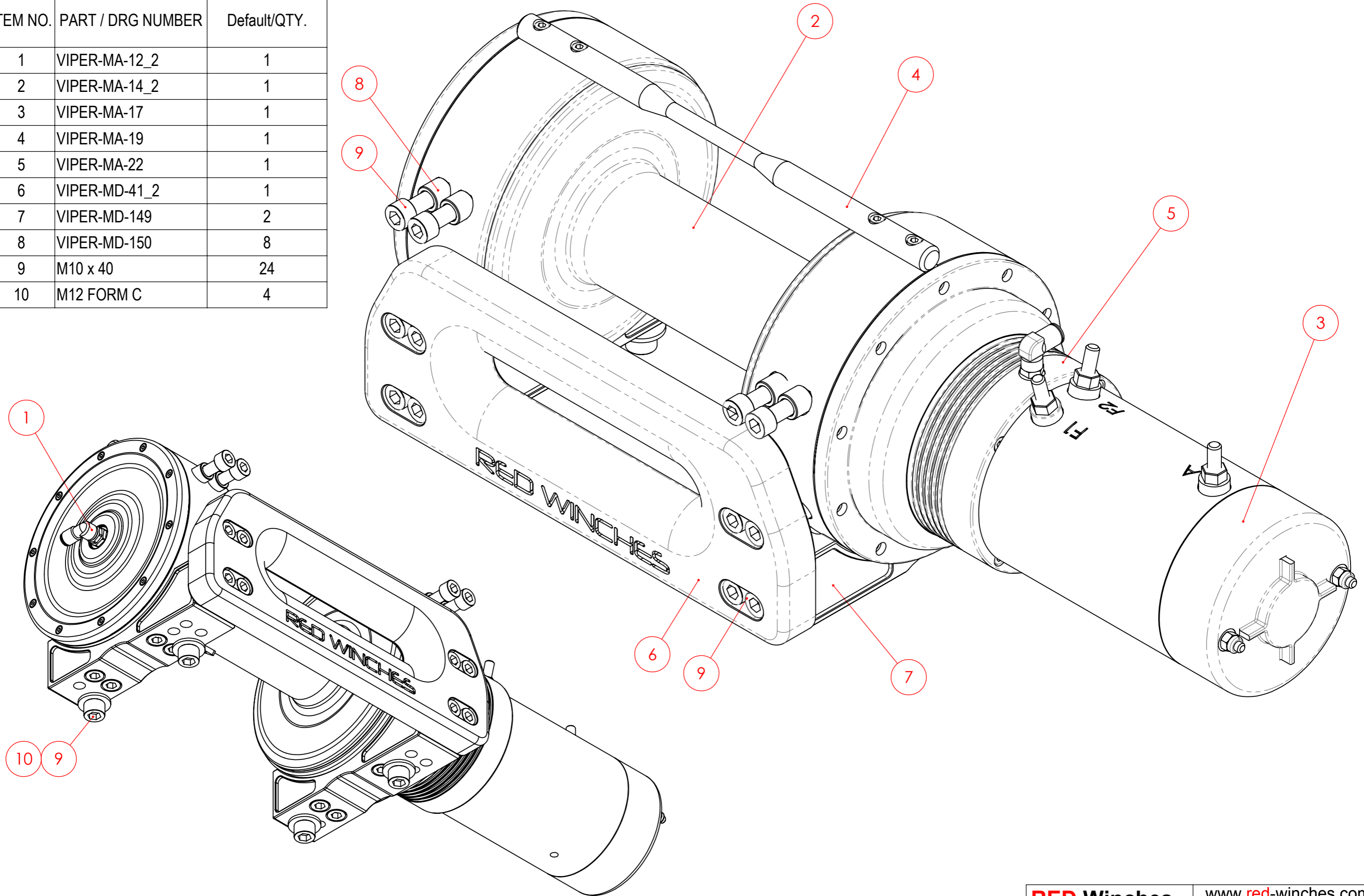


TITLE RED WINCH VIPER - HOW TO OPERATE

Telephone: +44 (0)1460 67744
Email: sales@red-winches.com

RED Winches		www.red-winches.com	
		ULTIMATE PERFORMANCE PRODUCTS	
DRAWING NUMBER:	VIPER-MANUAL	SCALE:	1:2
		SHT	6
		OF	8
Drawing not to be reproduced or distributed in any format or method without specific permission from Redstart/Design.			

ITEM NO.	PART / DRG NUMBER	Default/QTY.
1	VIPER-MA-12_2	1
2	VIPER-MA-14_2	1
3	VIPER-MA-17	1
4	VIPER-MA-19	1
5	VIPER-MA-22	1
6	VIPER-MD-41_2	1
7	VIPER-MD-149	2
8	VIPER-MD-150	8
9	M10 x 40	24
10	M12 FORM C	4



TITLE **RED WINCH VIPER - PARTS LIST**

Telephone: +44 (0)1460 67744
 Email: sales@red-winches.com

RED Winches	www.red-winches.com	
	ULTIMATE PERFORMANCE PRODUCTS	
DRAWING NUMBER:	VIPER-MANUAL	SCALE: 1:2
Drawing not to be reproduced or distributed in any format or method without specific permission from Redstart/Design.		SHT 7 OF 8

Lubrication Details

Grease Specification: Gearbox
Castrol Spherol L-EP 2 or BP Energrease LS-EP 2

Grease Specification: Freespool Shaft
Duck Oil for internal Piston
Copper Grease for External Spline

As a guide Grease must be applied to the gears in the end housing and air freespool clutch plate as per the following:

The lubrication frequency is based on constant winch usage in hours per month:

- 1-4 Hrs - Add grease and cover gears every 6 Months
- 4-12 Hrs - Add grease and cover gears every 4 Months

This is based on dry above water level conditions.

If winch has been used within water or wet muddy ground for more than 50% of the hours specified the greasing frequency needs to be increased to half of those shown in the above chart.

Every 12 months the internals of the winch gearbox and freespool should be cleaned and the grease should be replaced.

Important: Freespool must be cleaned and internal parts sprayed with duck oil after the winch has been submerged in mud or water for long periods of time. The gearbox must also be inspected for water ingress and greased if necessary.