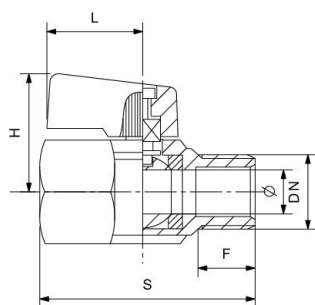




RIV 4001

Ball valve M/F
 reduced bore
 aluminium lever handle

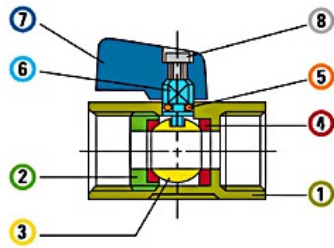
Tech drawings and tables



DN	Code	Ø	H	S	L	F	PN	KG	P/box
1/4"	024001000002	8	26	40	30	9	10	0,077	30
3/8"	024001000003	8	26	40	30	9	10	0,080	30
1/2"	024001000004	10	28	45	30	11	10	0,100	25
3/4"	024001000005	12	30	45	30	15	10	0,167	15

Technical data

Art. 4000



Materials

1	Body	Brass	CW617N	Nickel-plated
2	Screwed ring	Brass	CW617N	Nickel-plated
3	Ball	Brass	CW617N	Chrome-plated
4	Seats	P.T.F.E.		
5	O-Ring	NBR		
6	Stem	Brass	CW614N	
7	Lever	Aluminium		Black
8	Screw	Steel		Zinc-plated

Connections

ISO 228/1

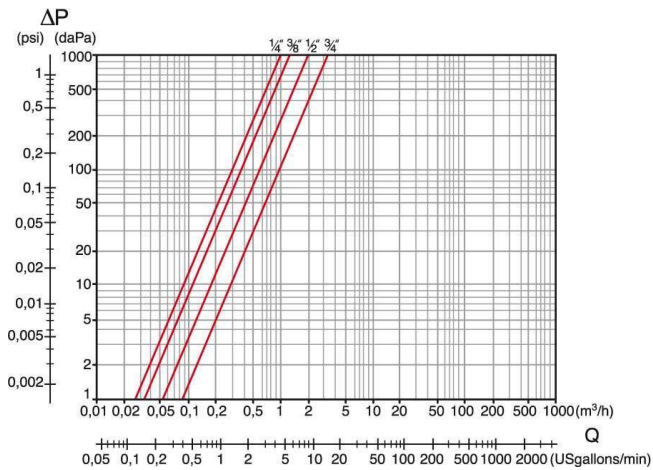
Limit

-10°C (without liquid) +90°C

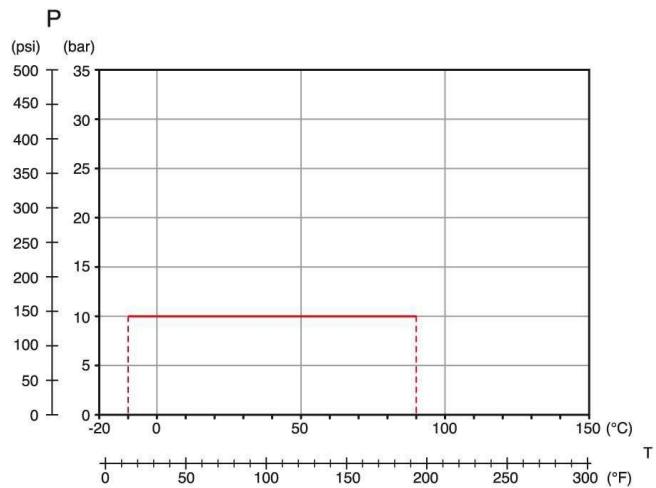
Notes

The max.working pressure (PN) means at a room temperature of about 23°C.

Pressure Loss Chart



Temperature/Pressure



Kv & Cv Coefficients

Size	Kv	Cv
1/4"	3,3	3,8
3/8"	4,3	5,0
1/2"	7,0	8,1
3/4"	11,0	12,7

Approvals

