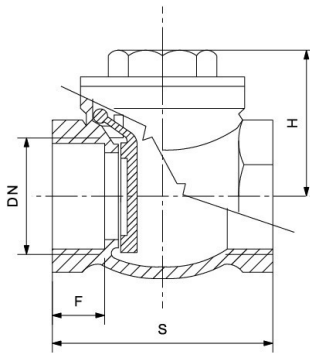




RIV 2250

Swing check valve F/F
metal seat

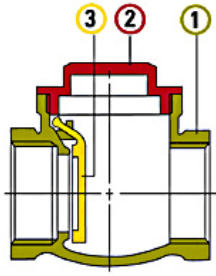
Tech drawings and tables



| DN | Code | H | S | F | PN | KG | P/box |
|-------|--------------|-----|-----|----|----|--------|-------|
| 1/2" | 032250000004 | 31 | 47 | 11 | 16 | 0,144 | 20 |
| 3/4" | 032250000005 | 34 | 54 | 12 | 16 | 0,214 | 10 |
| 1" | 032250000007 | 40 | 64 | 13 | 16 | 0,339 | 10 |
| 1"1/4 | 032250000008 | 46 | 76 | 14 | 16 | 0,502 | 10 |
| 1"1/2 | 032250000009 | 52 | 83 | 15 | 16 | 0,692 | 6 |
| 2" | 032250000011 | 59 | 98 | 16 | 16 | 1,021 | 4 |
| 2"1/2 | 032250000013 | 67 | 116 | 18 | 16 | 1,625 | 1 |
| 3" | 032250000014 | 77 | 135 | 20 | 16 | 2,246 | 1 |
| 4" | 032250000016 | 91 | 164 | 22 | 10 | 4,009 | 1 |
| 5" | 032250000018 | 118 | 206 | 23 | 10 | 10,712 | 1 |
| 6" | 032250000019 | 134 | 235 | 27 | 10 | 15,539 | 1 |

Technical data

Art. 2250



Materials

| | | | |
|---|-----------|-----------------|-------------------------------------|
| 1 | Body | 1/2" - 4" Brass | 1/2" - 1" CW617N |
| | | 5" - 6" Bronze | 1"1/4 - 4" CB754S 5" - 6" CB491K |
| 2 | Plug | Brass | CW617N |
| 3 | Obturator | Brass | CW617N |

Connections

ISO 228/1

Limit

-10°C (without liquid) +90°C

Notes

The max. working pressure (PN) means at a room temperature of about 23°C.