

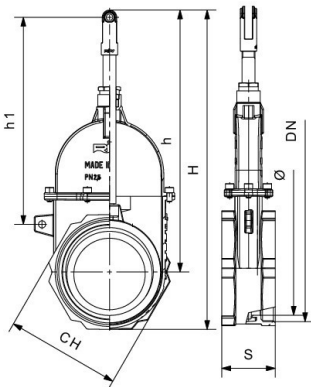


RIV 60

Threaded piston gate valve

Tech drawings and tables

| DN | Code | Ø | H | h | S | h1 | PN | KG | P/box |
|----|--------------|-----|-----|-----|----|-----|----------------|-------|-------|
| 4" | 050060000016 | 91 | 360 | 287 | 68 | 235 | 3bar - 45psi | 3,781 | 1 |
| 5" | 050060000018 | 120 | 440 | 352 | 78 | 295 | 3bar - 45psi | 5,944 | 1 |
| 6" | 050060000019 | 144 | 492 | 390 | 82 | 320 | 2,5bar - 37psi | 7,324 | 1 |

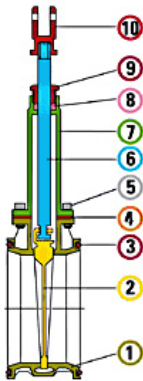


Advantages

- Better tightness compared to other gate valves of the same type.
- Anticorrosion stainless steel screws.
- In accordance with 97/23/CE (PED) Directive.

Technical data

Art. 10



Materials

| | | | |
|----|--------------|-----------------|----------|
| 1 | Body | Brass | CB754S |
| 2 | Wedge | Brass | CB754S |
| 3 | O-Ring | NBR | |
| 4 | Gasket | Fibre | |
| 5 | Screw | Stainless Steel | AISI 304 |
| 6 | Stem | Brass | CW614N |
| 7 | Cap | Brass | CB754S |
| 8 | Tow packing | Fibre | |
| 9 | Stuffing-Box | Brass | CW614N |
| 10 | Fork | Brass | CW617N |

Connections

ISO 228/1, NPT, Square flange

Limit

-20°C (without liquid) +90°C

Notes

The max. working pressure (PN) means at a room temperature of about 23°C.