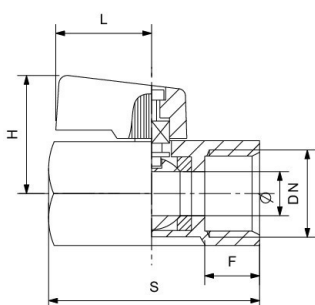




RIV 4010

Ball valve F/F hexagonal barstock
 reduced bore
 aluminium lever handle

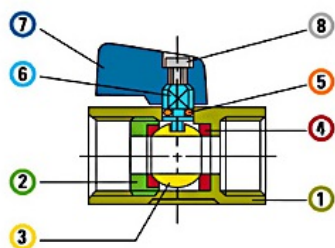
Tech drawings and tables



DN	Code	Ø	H	S	L	F	PN	KG	P/box
1/4"	024010000002	8	28	40	19	11	10	0,093	30
3/8"	024010000003	8	28	40	19	11	10	0,083	30
1/2"	024010000004	10	30	44	23	11	10	0,112	25
3/4"	024010000005	15	33	48	26	12	10	0,195	15

Technical data

Art. 4000



Materials

1	Body	Brass	CW617N	Nickel-plated
2	Screwed ring	Brass	CW617N	Nickel-plated
3	Ball	Brass	CW617N	Chrome-plated
4	Seats	P.T.F.E.		
5	O-Ring	NBR		
6	Stem	Brass	CW614N	
7	Lever	Aluminium		Black
8	Screw	Steel		Zinc-plated

Connections

ISO 228/1

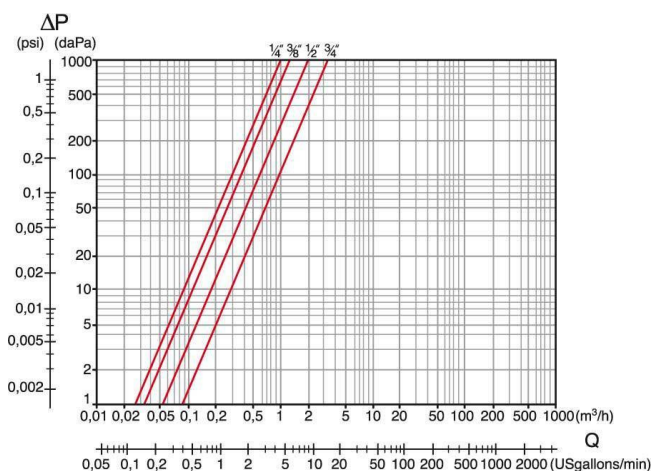
Limit

-10°C (without liquid) +90°C

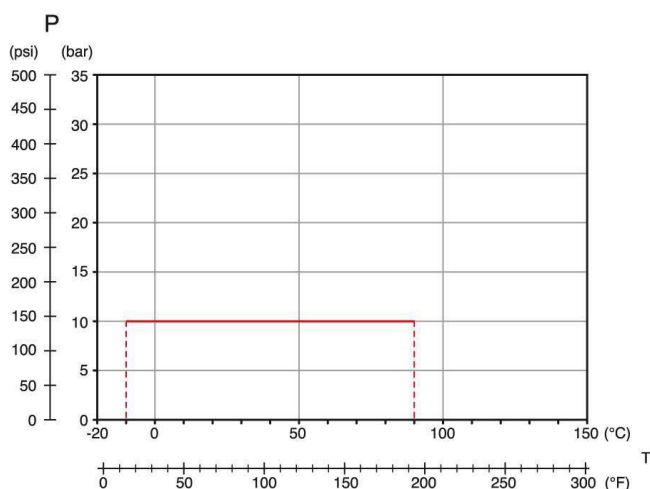
Notes

The max.working pressure (PN) means at a room temperature of about 23°C.

Pressure Loss Chart



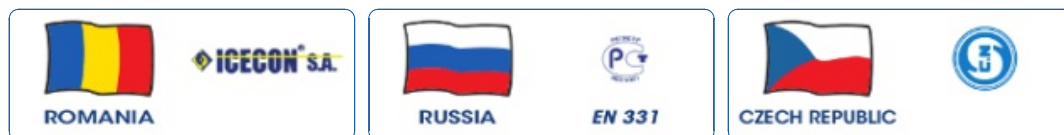
Temperature/Pressure



Kv & Cv Coefficients

Size	Kv	Cv
1/4"	3,3	3,8
3/8"	4,3	5,0
1/2"	7,0	8,1
3/4"	11,0	12,7

Approvals



RIV Rubinetterie Italiane Velatta S.p.A. - Via delle Acacie, 8 Zona Industriale D4 - 28075 GRIGNASCO (NO) - ITALY
Tel +39 0163 4151 Fax +39 0163 411914 E-mail riv-vg@riv-vg.com Web www.riv-vg.com

Capitale sociale € 516.000 i.v. - Reg. Imprese di Novara N° 00469610026 - R.E.A. di Novara N° 170397
Numero Meccanografico NO009263 - Codice Fiscale: 00469610026 - Partita IVA: IT 01399720034

