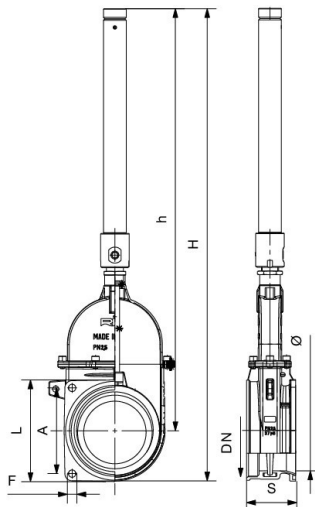




RIV 47

Piston gate valve flange/thread
with single-acting hydraulic jack
with O-ring gasket

Tech drawings and tables



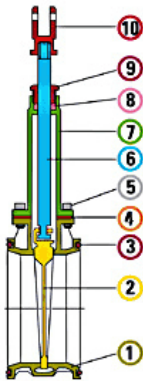
DN	Code	Ø	H	h	S	L	F	A	PN	KG	P/box
4"	050047000016	91	740	651	79	180	13	150	3bar - 45psi	7,602	1
5"	050047000018	120	782	693	87	180	13	150	3bar - 45psi	9,124	1
6"	050047000019	143	817	728	88	180	13	150	2,5bar - 37psi	10,048	1

Advantages

Better tightness compared to other gate valves of the same type.
Anticorrosion stainless steel screws.
In accordance with 97/23/CE (PED) Directive.

Technical data

Art. 10



Materials

1	Body	Brass	CB754S
2	Wedge	Brass	CB754S
3	O-Ring	NBR	
4	Gasket	Fibre	
5	Screw	Stainless Steel	AISI 304
6	Stem	Brass	CW614N
7	Cap	Brass	CB754S
8	Tow packing	Fibre	
9	Stuffing-Box	Brass	CW614N
10	Fork	Brass	CW617N

Connections

ISO 228/1, NPT, Square flange

Limit

-20°C (without liquid) +90°C

Notes

The max. working pressure (PN) means at a room temperature of about 23°C.