

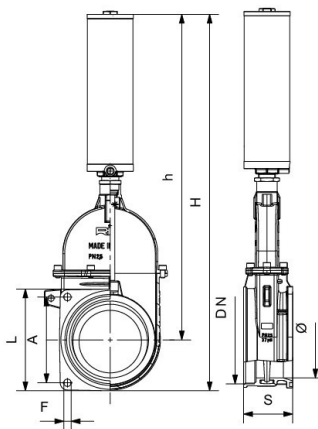


## RIV 43

Piston gate valve flange/thread  
with double-acting pneumatic jack in brass  
PPS system  
with O-ring gasket



### Tech drawings and tables



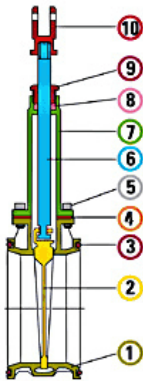
DN	Code	Ø	H	h	S	L	F	A	PN	KG	P/box
4"	050043000016	91	531	441	79	180	13	150	3bar - 45psi	8,372	1
5"	050043000018	120	603	514	87	180	13	150	3bar - 45psi	8,405	1
6"	050043000019	143	663	574	88	180	13	150	2,5bar - 37psi	11,588	1

### Advantages

Better tightness compared to other gate valves of the same type.  
Anticorrosion stainless steel screws.  
In accordance with 97/23/CE (PED) Directive.

## Technical data

Art. 10



### Materials

1	Body	Brass	CB754S
2	Wedge	Brass	CB754S
3	O-Ring	NBR	
4	Gasket	Fibre	
5	Screw	Stainless Steel	AISI 304
6	Stem	Brass	CW614N
7	Cap	Brass	CB754S
8	Tow packing	Fibre	
9	Stuffing-Box	Brass	CW614N
10	Fork	Brass	CW617N

### Connections

ISO 228/1, NPT, Square flange

### Limit

-20°C (without liquid) +90°C

### Notes

The max. working pressure (PN) means at a room temperature of about 23°C.