

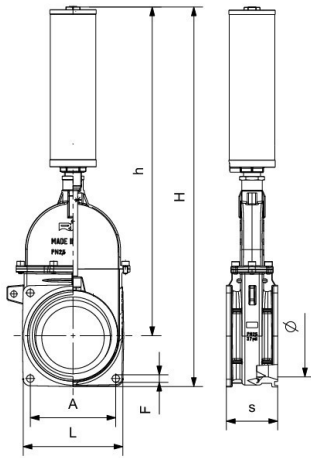


RIV 13

Two-flange piston gate valve
with double-acting pneumatic jack in brass
PPS system
with O-ring gaskets



Tech drawings and tables



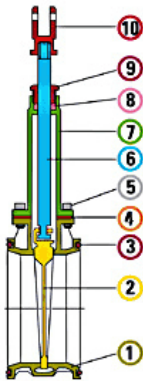
DN	Code	Ø	H	h	S	L	F	A	PN	KG	P/box
4"	050013000016	91	531	441	97	180	13	150	3 bar - 45 psi	9,642	1
5"	050013000018	120	603	514	90	180	13	150	3 bar - 45 psi	11,320	1
6"	050013000019	143	663	574	90	180	13	150	2,5 bar - 37 psi	12,154	1
8"	050013000020	191	808	694	111	230	13	180	1,5 bar - 21 psi	21,630	1

Advantages

Better tightness compared to other gate valves of the same type.
Anticorrosion stainless steel screws.
In accordance with 97/23/CE (PED) Directive.

Technical data

Art. 10



Materials

1	Body	Brass	CB754S
2	Wedge	Brass	CB754S
3	O-Ring	NBR	
4	Gasket	Fibre	
5	Screw	Stainless Steel	AISI 304
6	Stem	Brass	CW614N
7	Cap	Brass	CB754S
8	Tow packing	Fibre	
9	Stuffing-Box	Brass	CW614N
10	Fork	Brass	CW617N

Connections ISO 228/1, NPT, Square flange

Limit -20°C (without liquid) +90°C

Notes The max. working pressure (PN) means at a room temperature of about 23°C.