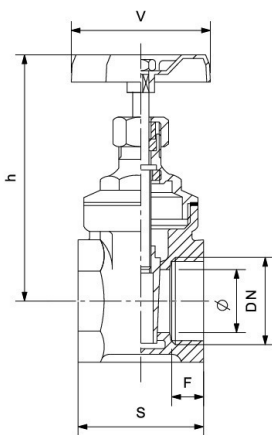




## RIV 2000

Gate valve F/F  
standard bore - steel handwheel

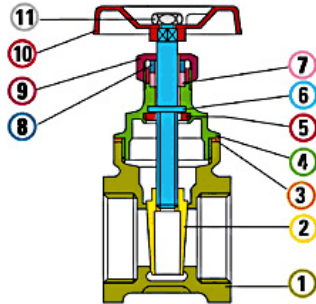
### Tech drawings and tables



DN	Code	Ø	h	S	F	V	PN	KG	P/box
1/4"	032000000002	13	67	33	8	45	10	0,176	20
3/8"	032000000003	13	67	33	8	45	10	0,158	20
1/2"	032000000004	14	70	35	9	45	10	0,160	20
3/4"	032000000005	15	70	40	9	45	10	0,186	20
1"	032000000007	19	80	43	10	50	10	0,268	20
1"1/4	032000000008	27	88	48	10	55	10	0,387	10
1"1/2	032000000009	33	105	53	11	60	10	0,567	10
2"	032000000011	45	134	58	12	70	10	0,836	5

## Technical data

Art. 2000



### Materials

1	Body	Brass	CW617N	
2	Wedge	Brass	CB754S	
3	Gasket	Fibre		
4	Bonnet	Brass	CW617N	
5	Screwed ring	Brass	CW614N	
6	Stem	Brass	CW614N	
7	Tow packing	EPDM		
8	Stuffing-Box	Brass	CW614N	
9	Cap	Brass	CW614N	
10	Handwheel	Steel		Painted
11	Nut	Steel		Zinc-plated

### Connections

ISO 228/1

### Limit

-10°C (without liquid) +80°C

### Notes

The max. working pressure (PN) means at a room temperature of about 23°C.