

PX0408

DMX512/RDM RGBW Decoder

Summary

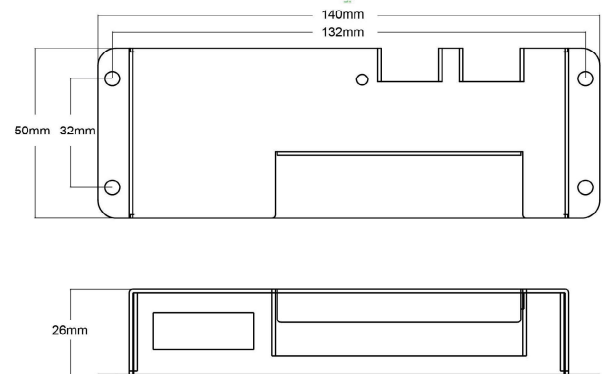
Welcome to use PX series DMX512/RDM decoder & driver. PX series adopt the advanced micro-computer control technology and converted the DMX512,RDM/2009 digital signal widely used in international to the PWM control signal. 1~4 channels output for option and each channel able to achieve 256 gradations of controlling, and also it can be used as the connector of PC digital light controller and analog light modulator. It is mainly used for the controlling of buildings & lights applied LED.



Product Features

- Meets DMX512/1990,RDM /2009 protocol
- Supported RDM parameters:
 DISC_UNIQUE_BRANCH
 DISC_MUTE
 DISC_UN_MUTE
 DEVICE_INFO
 SOFTWARE_VERSION_LABEL
 DMX512/RDM_START_ADDRESS
 IDENTIFY_DEVICE
 MANUFACTURER_LABEL
 SUPPORTED_PARAMETERS
- In DMX mode set the DMX address manually by switch; in RDM mode, the host computer address allocation
- Constant voltage output, the maximum current of 8A /ch for RGBW decoder
- 256 grade brightness adjustment
- Short-circuit protection, overload protection, over-temperature protection

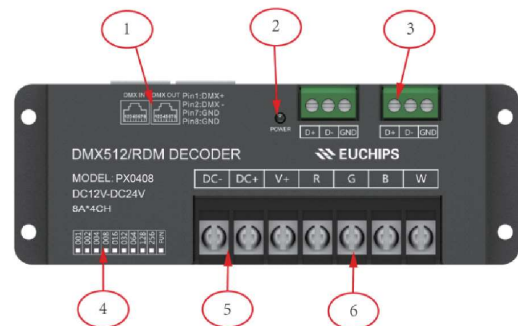
Dimension(mm)



Technical Parameters

Model	PX0408	
Output	Channels	1-4
	Voltage	12-24VDC
	Current	8A*4CH
	Power	384W(12V)/768W(24V)
Input	Voltage	12- 24VDC
	Standby loss	< 1W
	Control signal	DMX512 1990/RDM 2009
Others	Dimension	140*50*26mm (L * W * H)
	Packing size	145*56*32 mm (L * W * H)
	G.W.	240g
	Operation temperature	- 20 - 50°C
	Relative humidity	20% -90%RH

Interface Description



- (1) RJ45 Signal input and output interfaces
- (2) Signal light
- (3) Euro terminal blocks
- (4) Address setting interface
- (5) Power input interface
- (6) Output interface

Remark:

Connect the anode and RGBW wire of common anode RGBW module to the output interface of decoder directly; Connect the anode wire of single-color module to V+ on decoder, and connect the cathode wire to one of RGBW pin according to the LED's color; Connect several colors single-color module to one decoder, please connect their anode wires to V+ pin on decoder.

DIP Switch Setting

	DIP1	DIP2	DIP3	DIP4	DIP5	DIP6	DIP7	DIP8	DIP9	DIP10
OFF	0	0	0	0	0	0	0	0	0	NA
ON	1	2	4	8	16	32	64	128	256	FUN

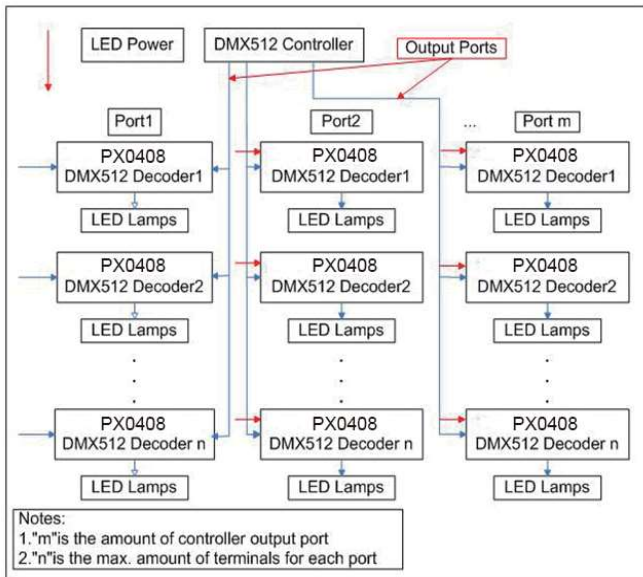
DIP1~9: Setting the first DMX address of device, the sum of number showed in the table above is the first DMX address of device.

In DMX mode, the effective address is 1-511, and 511 is for fixed mode (511 means output RGBW gradient).

When the address is 0, the default is RDM mode.

DIP10: FUN is 120 ohm terminal resistance.

Wiring Diagram



- 1) Use the CAT-5 cable or three-core shielded cable as DMX512/RDM signal cable, and DMX512/RDM signal has the positive and negative signal. While welding the DMX512/RDM signal cable plug, there must pay much attention to distinguish between positive (+) and negative(-), and then connect the DMX512/RDM signal cable with the corresponding input interface of PX0408 correctly.
- 2) Refer to "DMX Series of address dial code table" to set DMX address by dip-switch.
- 3) Connect a signal terminal at the end of the whole connection.