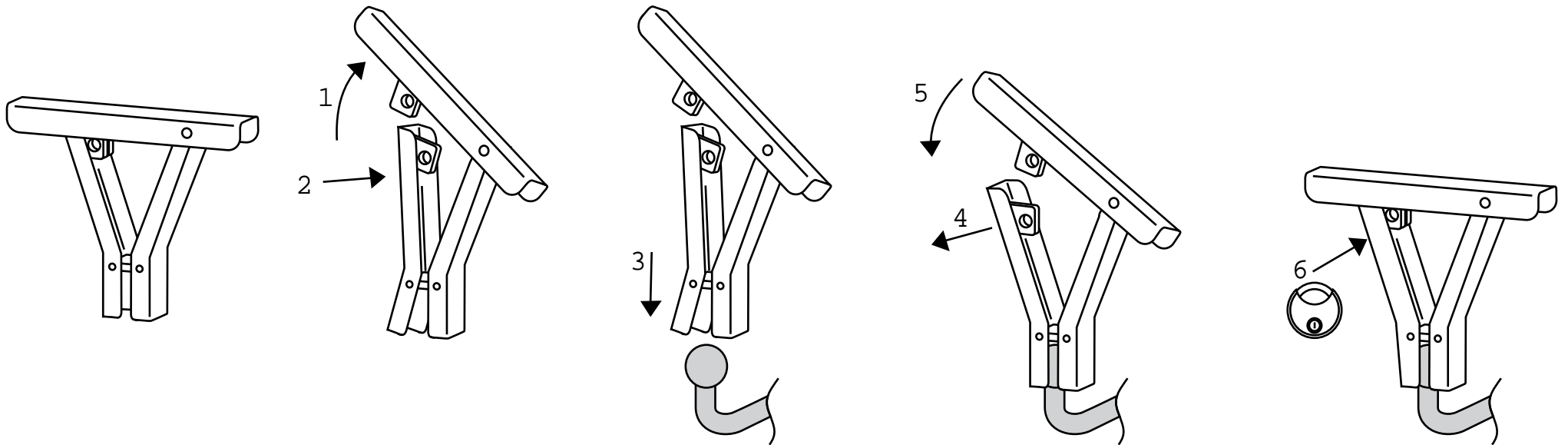




Van Lock



Patent Pending

DoubleLock.com

© Bick B.V. >> The Netherlands >> All rights reserved