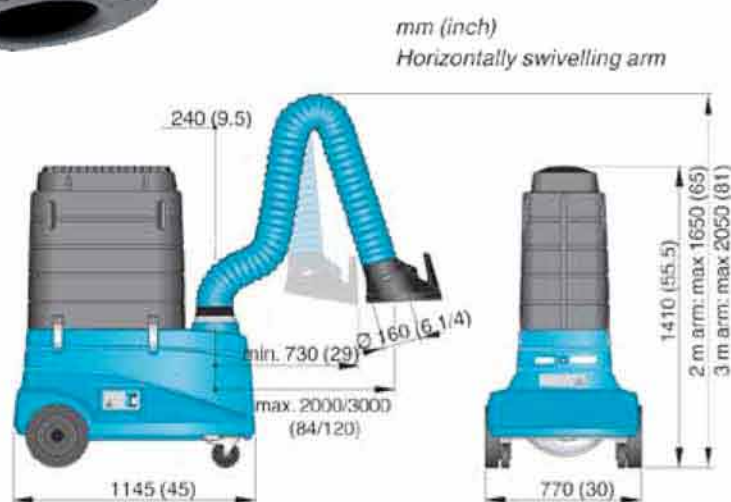


# Smart Repair exhaust extraction for body shops



## HBC system®

Part no: 00.950 Smart Air Filtrator



## Smart Air Filtrator Vehicle exhaust extraction for work shops

Smart Air Filtrator mobile is specially designed for extractions of odours. Paint fumes, solvents, gas contaminants, dust from sanding and grinding - these are just some of the hazards in Smart Repair body shops. Painting, grinding, and cutting generate dust and particles that harm personnel and make vehicles and premises dirty. With the Smart Air filtrator you are sure the air is clean before it is released into the atmosphere or your premises.

The Smart Air Filtrator is all you need to make your Smart Repair workshop clean, safe and efficient!

Arm length m	Arm Ø mm	Max airflow, m <sup>3</sup> /h	Filter efficiency %	Filter area m <sup>2</sup>	Voltage V/ electrical plug	Power kW	Frequency Hz	Phase	Noise level dB(A)	Weight kg
2	160	1050	99	35	230/EUR	0.75	50	1	73	73
2	160	1050	99	35	240/UK	0.75	50	1	73	73
2	160	1050	99	35	110/UK	0.75	50	1	73	73
3	160	1050	99	35	230/EUR	0.75	50	1	73	73
3	160	1050	99	35	240/UK	0.75	50	1	73	73
3	160	1050	99	35	110/UK	0.75	50	1	73	73

Smart Air Filtrator for light welding and extraction applications. Smart Air Filtrator includes Extraction Arm Original with an integrated spotlight, which optimizes the user-friendly design. If a larger working range is needed, the 3 m (10 ft.) long arm is recommended.

Applications: solvents, fumes and other gas contaminants.

Freight dimensions: 120x80x140 cm (LxWxH), Weight 73 kg + pallet = 113 kg

Part no: 00.950

Product availability may differ by country