

4

3

2

1

F

F

E

E

D

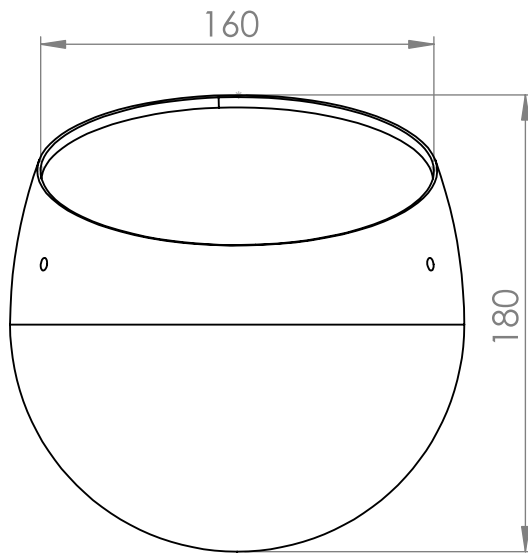
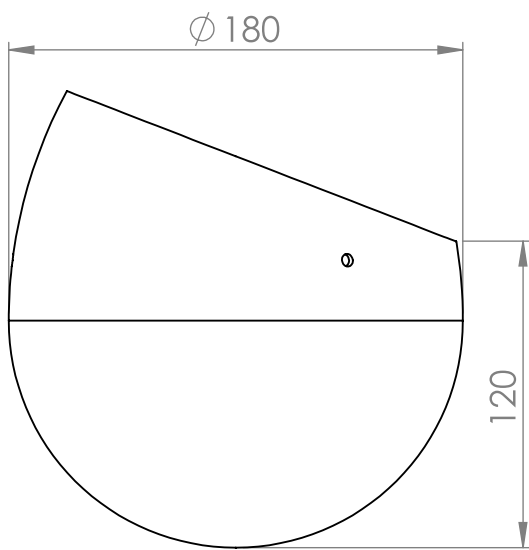
D

C

C

B

B



UNLESS OTHERWISE SPECIFIED:  
 DIMENSIONS ARE IN MILLIMETERS  
 SURFACE FINISH:  
 TOLERANCES:  
 LINEAR:  
 ANGULAR:

FINISH:

DEBURR AND  
 BREAK SHARP  
 EDGES

DO NOT SCALE DRAWING

REVISION

	NAME	SIGNATURE	DATE		
DRAWN					
CHK'D					
APPV'D					
MFG					
Q.A					

TITLE:

JOKROR®

DWG NO.

Sling

A4

MATERIAL:

WEIGHT:

SCALE:1:3

SHEET 1 OF 1

4

3

2

1

A

A