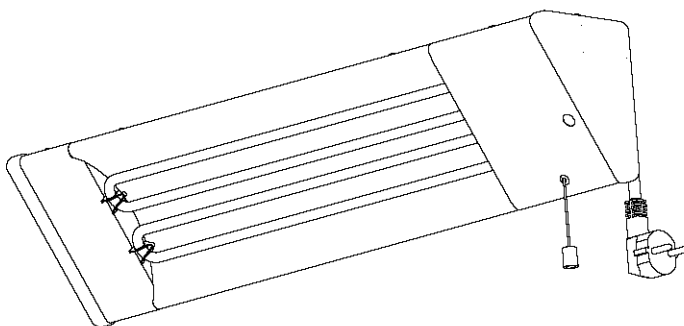


INFRARED HEATER



SPECIFICATIONS

INSTALLATION, OPERATION AND MAINTENANCE INSTRUCTIONS MANUAL

WARNING! Before installing and operating the unit read carefully the instructions!

Fig. 1

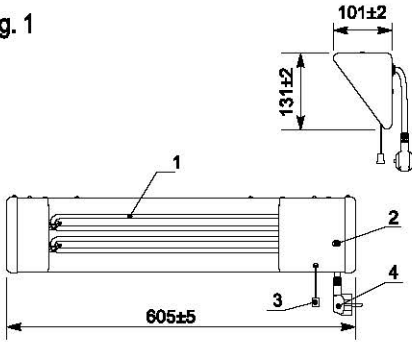


Fig. 2

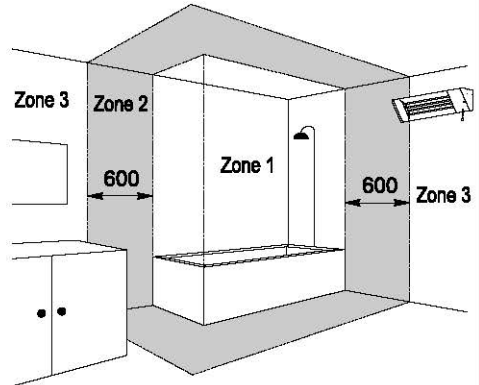


Fig. 3

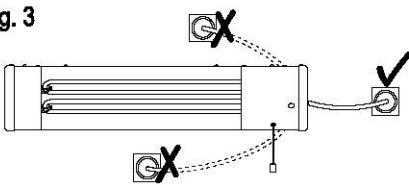


Fig. 4

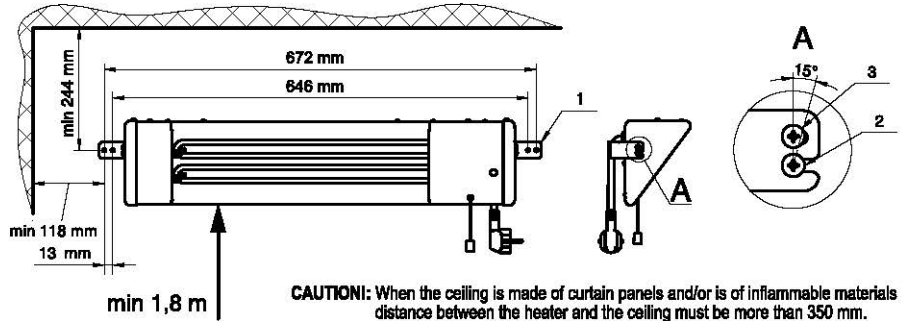
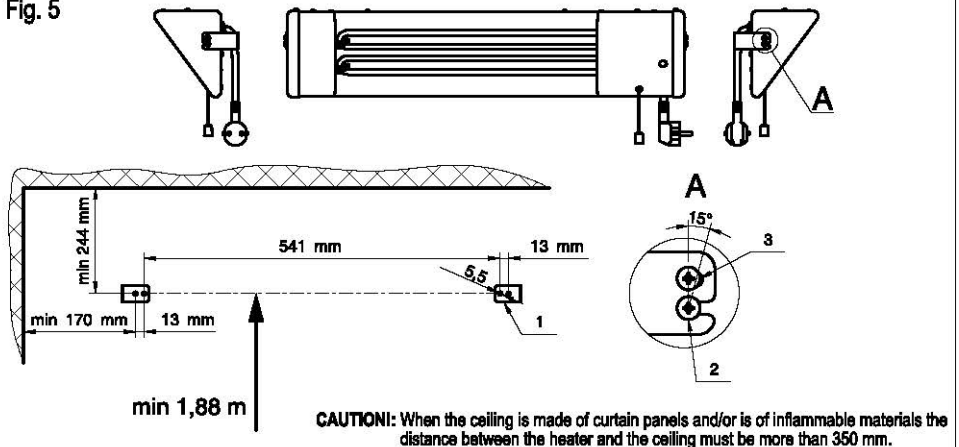


Fig. 5



SPECIFICATIONS, INSTALLATION, OPERATION AND MAINTENANCE INSTRUCTIONS MANUAL FOR INFRARED HEATER (EN 60335-2-30)


WARNINGS!

- Before starting the heater installation and operation it is essential to read the complete text of this instructions manual. Compliance with the rules listed within is part of the measures for appliance safety and is one of the warranty conditions.
- Keep the instruction manual for further reference and where necessary hand it to other persons.
- Use this appliance only for its intended usage – for heating domestic premises. This unit cannot be used for industrial and/or commercial purposes.
- Install your heater only in fireproof premises, away from combustible, highly inflammable and/or explosive materials, liquids, gases and/or pressure vessels. It is dangerous when the unit is mounted near curtains or other easily ignitable materials.
- When the heater has to be installed in damp premise, it should be positioned so that its part where the controls and output power cord with plug are located are situated in Zone 3 (see Fig. 2).
- The heater installation spot must be selected in such a way that anyone using a sink, bathtub, shower or is in a wet place cannot be in possibility to reach the unit.
- It is absolutely forbidden to spray and/or pour the heater with any liquids.
- The heater must be installed only on a vertical wall and subject to the requirements illustrated on Figures 2, 3, 4 and 5.
- Do not install the heater close to, over, and under furniture (cabinets, shelves, etc.).
- Heater installation and its connection to the power supply shall be carried out only by qualified persons. The appliance must be properly connected to well-functioning, correctly connected socket! It is forbidden to place the heater socket and its power cord above or below the unit (see Fig. 3). If the appliance is installed in a damp premise, the socket must be of waterproof type and protected against spraying and/or pouring liquids, to be in Zone 3 (see Fig. 2), or outside the premise. It is compulsory that the unit socket is easily accessible after heater installation on the wall. When the heater is installed in a damp premise, it is necessary that its socket current circuit be fitted with residual - current protection.
- It is absolutely forbidden to extend in any way the heater plug power cord, as well as to use a cord and/or power strip.
- Do not use the heater if it and/or its power cord with plug is damaged. In such cases it is necessary to disconnect immediately the unit from the mains (i.e. by unplugging the cord from the socket) and to call for intervention an authorized by manufacturer or vendor service company - see attached list of authorized service companies.
- During prolonged use, the unit exterior surfaces can be heated. Install the product in a location where it cannot accidentally be reached!
- The infrared heater is not equipped with room temperature control device. Do not use the heater in small rooms when there are people who are unable to leave the premises on their own, unless constant surveillance is provided.

- The appliance must not be touched with wet hands.
- Do not cover the heater, notwithstanding whether it is turned on or off from the mains.
- This appliance is not intended for use by persons (including children) with reduced physical, sensory or mental capabilities, or lack of experience and knowledge, unless they have been given supervision or instructions concerning use of the appliance by a person responsible for their safety! Children should be supervised to ensure that they do not play with the appliance!
- Children of age under 3 years should be allowed close to the appliance, unless they are under constant surveillance.
- Children of age between 3 and 8 years must be allowed only just to turn on and off the heater, provided that it is located or installed in position for normal operation and children are observed or are trained to use the device safely and understand possible dangers. Children of age between 3 and 8 years shall not be allowed to access the appliance for adjusting it, clean it or carry on any user related maintenance works.
- **CAUTION!** Some parts of this product may be very hot and cause burns. Special attention should be paid in presence of children and vulnerable persons.

ENVIRONMENTAL PROTECTION

This appliance is marked according to the European Directive 2012/19/EU on Waste Electrical and Electronic Equipment (WEEE). By ensuring this product is disposed of correctly, you will help prevent potential negative consequences for the environment and human health, which could otherwise be caused by inappropriate waste handling of this product.

The symbol  on the product or on the accompanying documents indicates that this appliance may not be treated as household waste. Instead it should be handed over to the applicable collection point for the recycling of electrical and electronic equipment. Disposal must be carried out in accordance with local environmental regulations for waste disposal. For more detailed information about treatment, recovery and recycling of this product, please contact your local city office, your household waste disposal service or the shop where you purchased the product.

SPECIFICATIONS

Your infrared heater general appearance and dimensions are shown on Fig. 1, wherein with numbers from 1 to 4 are indicated:

1. Stainless infrared heating elements;
2. Power adjustment degrees indicator;
3. Cord for switching the power settings;
4. Power cord with plug.

The infrared heater has two heating elements, each one of 900 W and is designed to operate only switched to electric installation with voltage 230 V~. Switching between levels of electric power is carried out with a built-in four position switch.

The infrared heater is provided with protection against electric shock of class IP24.

INSTALLING YOUR INFRARED HEATER

Your infrared heater can be installed only in premises with regular fire protection.

The infrared heater can be installed only on the room vertical wall.

When installing the infrared heater, it must be only in horizontal position.

The infrared heater is intended for installation only on high-level, high above the room floor.

The spot for the infrared heater installation shall be selected according the needs of users but must absolutely comply with indicated distances from the floor, the ceiling and the surrounding walls indicated on Figures 4 and 5.

WARNING! It is **COMPULSORY** to comply with requirements for room selection, the heater place therein and the location of the electric installation socket switching the infrared heater, as entered under **WARNINGS** in this instructions manual.

The infrared heater is attached to the room wall using the corner plates, screws and treenails supplied with the package. The room wall be thick and made of concrete, or of solid bricks. Otherwise, it shall be necessary to apply other approaches to ensure adequate strength for attaching the heater to the wall.

There are two ways of attaching the infrared heater to the wall, depending on whether the corner plates shall be visible or not after the installation of the unit - see Fig. 4 and Fig. 5.

Order of assembly of the heater (see Figures 4 and 5):

- Select the spot where to install the heater. Comply strictly with the requirements for selecting the installation spot s provided in present booklet! The lower end of the heater must be at least 1.8 m from the room floor.
- Drill the necessary holes in the wall and securely fasten into them the treenails supplied.
- Secure the angle plates (pos. 1) to the room wall. The groove width of each plate should be on the bottom side facing the room floor.
- Fasten with 3-4 turns the screws (pos. 2) into the lower openings of the heater side panels.
- Take the heater and carefully insert the half-fastened screws into the angle plates grooves (view A).
- While holding the heater with one hand, with the other fasten the two remaining screws (pos. 3) in the upper openings of the heater side panels, and pass the screw bodies through the angle plates upper openings (view A).
- The angle plates upper openings are shaped to allow adjustment of the heater inclination relative to the room floor in order to guarantee better convenience for the appliance users.
- After selecting the infrared heater inclination, tighten the four screws securing the heater to the angle plates in order to ensure unit reliable attachment.

CONNECTING THE INFRARED HEATER TO THE MAINS

The infrared heater is classified as Class I device regarding electric safety.

The electric installation to which the heater shall be connected has to be developed in accordance with the regulations in force, to be three-wired (phase, neutral and protective conductors) and with current voltage of 230 V~. When the heater is installed in a damp premise, it is necessary that its socket current

circuit be fitted with residual - current protection.

For the heater electric connection it is necessary that the wiring in the selected room has built-in straight and properly connected protective socket of type Schuko (Euroshuko). The socket location must be selected so that the requirements illustrated on Fig. 3 and listed in the section WARNINGS and other sections in this instructions manual.

Wires from the circuit and the socket on the electric installation to the heater must be sized for the heater electric power (rated 1800 W). Within the heater circuit phase contour a built-in fuse 10 A must be installed.

Before connecting the heater check that its built-in switch is on position off – within the indicator hole of the heater front the number '0' shall be visible. If necessary, as described in the next section, toggle the switch to the off position .

Make sure the heater is installed in accordance with the requirements and no visible damage.

Carefully join the plug on the power cord of the heater in its designated socket.

USING THE HEATER

Switching on the heater in operating condition and switching between the heater rates of power is carried out by light and gently pulling on the cord, position 3 in Fig.1. When pulling the cord, a clear audible clicking shall be heard, and from the heater front panel aperture, position 2 of Fig.1, shall be displayed the number corresponding to the switching power. When in the hole is visible the number:

- '0' - the heater is off;
- '1' - one heater is switched on to 900 W;
- '2' - the second heater is switched on to 900 W;
- '3' - both heater are switched on (maximum power 1800 W).

WARNING! When switching between the rated power of the heater carefully and gently pull the cord. When switching with key, the possibility of pulling the cord is sharply limited. Do not apply excessive force, as you may breach the cord and/or break the key.

You may turn off the heater from operating condition with successive switches as much as needed until the indicator opening shows the number '0'.

You may complete final heater shutdown by removing the power cord plug from the socket.

While using the heater, follow the requirements listed in the section WARNINGS and other sections in this instructions manual.

HEATER MAINTENANCE

Your infrared heater does not require special maintenance.

It is necessary to keep it clean and free from dust. When you need to remove any eventual dust from the heater it must be done ONLY as it is in OFF position of the switch, with unplugged power cord plug, and if the heater has been used just before cleaning it has been left some time to cool down to room temperature.

Wipe the dust from infrared heater surface with a soft, slightly damp cloth without using detergents. The

unit reflector and heaters should be cleaned with a brush with soft and long hair.

Subsequent heater switching on in the electric installation shall be made only after the unit is completely dry from the cleaning moisture.

In case of more serious pollution, cleaning must be done by a professional authorized service company.

On a regular basis, from time to time, inspect the power cord with the plug and the electric installation socket where the heater is switched on. Upon detecting any damage to any of these elements the intervention by a specialist from an authorized service company is necessary to repair the damage to the heater or to its power cord or plug, and qualified electrician repair any damage the electric outlet installation.

When cleaning the heater, protect the affixed to the side panel metal tag where the unit serial number is listed. If the tag falls out, put it in the infrared heater document file (where you keep this manual, warranty card, document for the heater purchase and the list of authorized service companies). The tag is required to identify the heater.

TROUBLESHOOTING

If the heater does not work when plugged into the mains and the operation mode switch is in the position from '1' to '3', ensure yourself in a safe manner that socket has voltage. If even then the heater does not work, contact your nearest authorized service company included in the attached list.

When during infrared heater operating mode the protection fuse switches off the circuit or activates the circuit protection, immediately turn off the unit by unplugging the power cord from its socket. Contact your nearest authorized service company included in the attached list.

If the power cord of your infrared heater is damaged, it must be replaced by the manufacturer or its service agent in order to avoid any pending hazard.

IT IS PROHIBITED TO USE A DAMAGED UNIT!

COMPLIANCE WITH THE REQUIREMENTS OF THIS INSTRUCTION MANUAL IS A PREREQUISITE FOR SAFE OPERATION OF YOUR PURCHASED PRODUCT AND IS ONE OF THE WARRANTY CONDITIONS.

IT IS ABSOLUTELY PROHIBITED TO THE USER OR ANY AUTHORIZED BY HIM PERSON TO UNDERTAKE ANY CHANGES IN THE PRODUCT DESIGN AND STRUCTURE. FINDINGS OF SUCH ACTIONS SHALL AUTOMATICALLY TERMINATE THE MANUFACTURER OR DEALER WARRANTY LIABILITIES.

WHEN SERVICE IS NEEDED SEEK ONLY MANUFACTURER AUTHORIZED SERVICE COMPANIES LISTED IN THE ANNEXED FORM.

THE MANUFACTURER KEEPS HIS RIGHT TO STRUCTURAL CHANGES WITHOUT NOTICE WHERE SUCH CHANGES SHALL NOT AFFECT PRODUCT SAFETY.