



**ELDOM INVEST Ltd.**

Production and trading with household appliance  
www.eldominvest.com export@eldominvest.com

**HOUSEHOLD INSTANTANEOUS  
WATER HEATERS  
series**



**SPECIFICATIONS  
GUIDE FOR INSTALLATION, USE  
AND MAINTENANCE  
IMPORTANT RULES**

**WARNING!** Before water heater installation and use read carefully  
this instruction!

## SPECIFICATIONS, GUIDE FOR INSTALLATION AND USE OF HOUSEHOLD INSTANTANEOUS WATER HEATERS (БДС EN 60335-2-35)

Before beginning installation and operation of your water heater it is compulsory to read the complete text of this instructions booklet. It must be observed as well by you, in order to help you operate and use the unit, and by the qualified workers who shall install and eventually maintain and repair the unit in case of malfunctioning. Compliance with rules in present instruction booklet shall be a prerequisite for system safe use and is part of warranty requirements.

**CAUTION!** Connection to the water supply network must be completed by qualified workers in compliance with regulations in force and present booklet instructions! It is **COMPULSORY** to install manufacturer supplied or recommended safety fittings!


**CAUTION!** Connection to the power supply network must be completed by qualified workers in compliance with regulations in force and present booklet instructions! The unit must be correctly connected with current wires and protection circuit! Do **NOT** connect the unit to power supply before its water tank is completely water filled!

**WARNING!** When using the appliance there is a risk of hot water scalding, especially when the water within the tank is heated to the maximum temperature level of the thermostat.

**WARNING!** This appliance is not intended for use by persons (including children) with reduced physical, sensory or mental capabilities, or lack of experience and knowledge, unless they have been given supervision or instructions concerning use of the appliance by a person responsible for their safety! Children should be supervised to ensure that they do not play with the appliance!

### ENVIRONMENTAL PROTECTION

This unit is marked for compliance with the European directive 2002/96/EC on Waste Electrical and Electronic Equipment (WEEE). Taking care about the unit waste after its life-time and its correct disposal shall help to prevent any adverse or harmful consequences for the environment and human health, which may otherwise be caused by inappropriate waste handling.

The  symbol on the appliance and enclosed documents, is showing that this appliance should not be treated as household waste. Instead, it should be handed over to a specialized station for recycling of electrical and electronic equipment. Upon its disposal, please kindly observe the local regulations for disposal of waste. For more detailed information concerning the treatment, recovery and recycling of the appliance, please contact Your local city office, Your household waste disposal service or the shop where you bought the product.

### SPECIFICATIONS

The water heater is intended for use in everyday life in households connected to the cold water plumbing installation in order to provide heated water for washing only on the place where installed (usually a sink). This unit high efficiency is due to the fact that the water is being heated at the very time when it flows through the water tank.

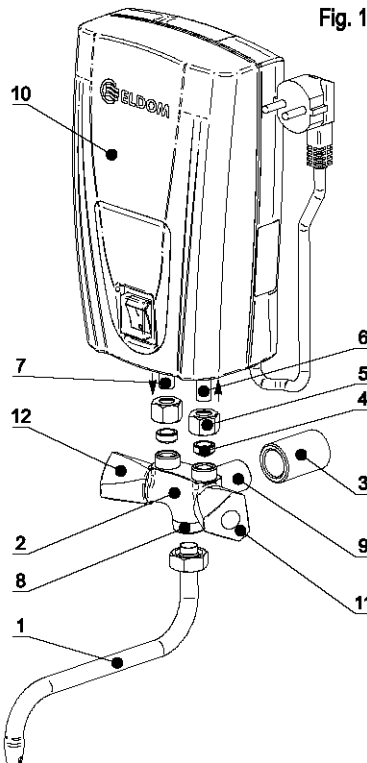
The water heaters are two main models with two modifications each:

- Model E41 – with two handles mixing tap and heating power of 3,5kW;
- Model E42 – with one handle ceramic tap and power of 3,5kW;
- Model E71 – with two handles mixing tap and heating power of 6,5kW;
- Model E72 – with one handle ceramic tap and power of 6,5kW.

Fig. 1 shows general view of water heater model E41. The manufacturer reserves his right to change the general appearance and fittings while maintaining the safety and functionality of its devices.

Fig. 1

- 1 - Winch.
- 2 - Mixing tap.
- 3 - Coupling 1/2" of the cold water plumbing. Not part of the unit fittings set.
- 4 - Gaskets.
- 5 - Nuts 3/8".
- 6 - Unit income pipe.
- 7 - Unit outgoing pipe.
- 8 - Outgoing aperture of mixing tap. CAUTION! ONLY the fittings kit winch may be mounted on this aperture!
- 9 - Inlet of the mixing tap. Nipple 1/2". Connection to the cold water plumbing.
- 10 - Water heater.
- 11 - Knob of the hot water tap – red marking.
- 12 - Knob of the cold water tap – blue marking.



Parameters	Model	E41	E71	E42	E72
Type mixing tap		Tap with two handles		Ceramic tap with one handle	
Purpose		For sink			
Voltage [V]		230 V~			
Power [W]		3500	6500 (3500+3000)	3500	6500 (3500+3000)
Type of unit		Free draining unit (open-outlet water heater)			
Pressure [MPa]		0			
Water pressure in the water supply network [MPa]		0,2-0,8			
Outgoing water temperature at full power and incoming water temperatures of 12 °C		59.5 °C at flow 1 l/min 43.5 °C at flow 1.5 l/min	71 °C at flow 1.5 l/min 56 °C at flow 2 l/min	59.5 °C at flow 1 l/min 43.5 °C at flow 1.5 l/min	71 °C at flow 1.5 l/min 56 °C at flow 2 l/min
Dimensions [mm]		232x145x85			
Unit weight without water [kg]		1.82	2.05	2.01	2.24

All parameters shown in the table are approximate.

## UNIT INSTALLATION (CONNECTION) TO PLUMBING

The water heater must be installed only in a premise with normal fire safety and where temperature shall never fall below 0 °C.

The pressure in the plumbing installation must be not less than 0,2 MPa and not greater than 0,8 MPa.

The step-by-step sequence to install the water heater and the mixing tap is shown on Fig. 1:

- Screw the mixing tap (2) to the cold water plumbing coupling (3). The coupling is not part of the manufacturer supply kit. In order to secure connection tightness use Teflon tape or equivalent substituent. Use suitable for the tap size wrench. After screwing and tightening of the connection the mixing tap must be positioned

horizontally in order to allow installation of the water heater piping in straight vertical downward position.

- To the mixing tap output must be installed ONLY the winch (1) from the manufacturer supplies kit.
- **WARNING!** Any violation of these instructions shall impair the unit safety and functionality!
- Unscrew the nuts 3/8" (5) from the tap and remove the gaskets (4).
- Place the nuts (5) on the water heater piping and then the gaskets (4).
- Take the water heater and carefully place its pipes in the mixing tap apertures. The water heater pipes must touch the bottom of the mixing tap apertures. The pipe with an arrow to the unit must be on the right, while the one with the arrow to the tap – on the left.
- While holding with one hand the water heater screw with the other hand the nuts 3/8" to the mixing tap. Be careful for the correct and regular entry of the gasket in order not to damage them.
- Tighten the nuts 3/8" carefully with a wrench. Be careful not to over tighten the connections.

**WARNING!** It is absolutely forbidden to install a different mixing tap than the one supplied by the producer!

**WARNING!** It is absolutely forbidden to install on the mixing tap outlet (8) any type of picking or plumbing component different of the winch or mixing tap supplied by the manufacturer!

Fill the water heater tank with water while turning the red tap (the one on the right) counter clockwise until its extremity (for the two handles mixing tap models) or turn the only handle right and upward (for the ceramic mixing tap models). Wait until from the winch flows out strong and solid water flow. Now close the red tap by turning it clockwise until the end (for the two handles mixing tap models) or turn the only handle downward (for the ceramic mixing tap models). Due to the fact that the unit is with open air outlet (the water tank is constantly connected with open air through its outlet pipe), after closing the winch it is possible that some quantity of water flows out until the water tank outlet is emptied. This is not a default as the quantity of outflowing water is minimal.

**WARNING!** Failure to fill the water tank with water shall cause damage to the water heater.

**WARNING!** Failure to comply with these instructions and their consequences are not covered by the warranty liabilities of seller and manufacturer and shall be borne by the person violating the instructions in the booklet.

## CONNECTION TO THE POWER SUPPLY NETWORK

The instantaneous water heaters are protected with Class I electric injuries protection.

The power supply electric network to which the unit shall be connected must be three wired, i.e. provided with phase, neutral and earthing conductors. All current circuit conductors' extremities must be correctly connected to the mains electric panel and in the point of connecting the water heater to the power supply network. The installation earthing conductor must not be severed on any point of its route to the mains electric panel. The circuit conductors' cross-sections and the fuse dimensions are discussed below.

Wiring in the premise where the water heater shall be installed must be built in accordance with the regulations in force.

**Models E41 and E42** are delivered factory connected to the unit with power cord ending with plug type Schuko. Connect the unit to the power supply network by first connecting the power cord to a functioning and properly connected socket with protective plates type Schuko. The socket must be located on a place where it is secured against sprinkling or pouring with liquids, from moisture condensation and connected to the power cord in such a way as to be easily accessible after installing the water heater in its operative position. The cross section of all conductors on the electric installation must be at least 2.5 mm<sup>2</sup> each. The phase circuit fuse must be of 16 A.

**Models E71 and E72** are with delivered factory connected to the unit of a three-wire cord with cross section of 4 mm<sup>2</sup> of each wire. Connect the extremities of the power cord conductors to an installation socket of the premise electric circuit. Select the installation socket place in order to protect it against sprinkling or pouring with liquids or of moisture condensation on it and on the power cord connected to it. The cross section of the conductors in the

premise where the water heater shall be supplied must be at least 4 mm<sup>2</sup>, while the phase circuit fuse must be 35 A.

**WARNING!** IT IS IMPERATIVE that the water heater power cord conductors' be connected to the installation socket as follow:

- The power cord brown wire to the power supply network phase conductor;
- The power cord blue wire to the power supply network neutral conductor;
- The power cord green-yellow wire to the power supply earthing conductor.

**WARNING!** IT IS MANDATORY in install within the power supply circuit of the premise where the water heater models E71 and E72 such a device which shall secure in case of overvoltage category III complete disconnection of all poles. No breaker or fuse may interrupt the wires from the circuit between the device and the water heater input electric terminals.

**WARNING!** When connecting the water heater to the mains it must be properly connected to the neutral and protective conductors of the electrical installation. Failure to do so shall impair the device safety and it is forbidden to use it in such conditions.

**WARNING!** Failure to comply with instructions for connection to power supply networks shall reduce safety of the device and it is not permitted to use it in such conditions. Such consequences are not covered by the warranty liabilities of seller and manufacturer and shall be borne by the person violating the instructions in the booklet.

Only qualified electricians shall connect the water heater to the power supply system and perform its functionality tests.

## OPERATING THE UNIT

The water heater may be switched to operative mode ONLY when previously filled with water. CHECK! You can check when with heaters switched off (the extremities of the key marked with 0 are pressed) turn the red tap of the mixing tap counter clockwise (open condition for models with two handles) or turn the handle right and upward (for tap with ceramic handle). Wait until the water flow is dense jet.

**WARNING!** If from the winch does not flow out water it is likely that the water supply network is clogged. In such case the use of the device is absolutely forbidden, please refer to section Maintenance and prevention works.

**WARNING!** Do never switch on the unit when there is even the slightest chance that the water in the water heater is frozen! You shall damage both the water heater and its tank.

**WARNING!** This appliance is not intended for use by persons (including children) with reduced physical, sensory or mental capabilities, or lack of experience and knowledge, unless they have been given supervision or instructions concerning use of the appliance by a person responsible for their safety! Children should be supervised to ensure that they do not play with the appliance!

- You switch on in operative mode the device once filled with water and correctly connected to mains by opening the red tap of the mixing tap of models with two handles or by turning right and upward the mixing tap of models with single handle and ceramic mixing tap.
- When the key is in off position, and the end of key with marking 0 is pressed, from the winch of the mixing tap shall flow out cold water.
- When the key is in on position, and the end of key with marking I or II is pressed, on turning the red tap after a certain period of time and reaching the necessary flow, the LED indicator shall light and the heater shall be switched on. The water temperature shall be stable within 15-30 s.
- The optimum water temperature may be selected by turning the mixing tap red tap in models with two handles or turning right or left upward or downward of the winch for models with one handle, while the key is always in on position.

**NOTE!** We recommend using only the red tap for adjusting water temperature. With smaller water flow the temperature shall be higher, while with greater flow it shall lower. Use the blue tap when consuming only cold water.

You may adjust water temperature for models of water heaters E71 and E72 by switching one or both heaters with the two position key (markings I and II on the keys).

Within the water heater is built-in thermal switch against excess water temperature above specified limit. When reaching water temperature specified the switch switches off the heaters and when the temperature drops it switches on them again.

For all water heaters it is possible to experience in case of significant decrease of water flow through the unit the built-in hydraulic switch to turn off the heaters. When the water flow or pressure increases again the switch shall activate the heaters.

**WARNING!** When using the unit it is **FORBIDDEN** to clog the winch in a way as to decrease the water inflow pressure because it shall increase the water pressure within the unit water tank, which may activate the built-in safety valve.

**WARNING!** The unit shall never be used when the slightest doubt of water within being frozen exists.

After completing consumption of hot water close the unit red tap, switch the key/keys of the switch to 0 and wait until the water drains off the winch.

## UNIT MAINTENANCE AND PREVENTIVE WORKS

The unit is equipped with special built-in safety valve that protects its structure in case of abnormal increase of pressure in the tank. If however such situation arises the valve membrane shall be torn-off and from the valve pipe shall drain water. The valve pipe aperture is left of the unit pipes, please refer to Fig 2.

**WARNING!** IT IS FORBIDDEN to clog the aperture of safety valve pipe!

Should water start to drain from the safety valve pipe aperture it is **COMPULSORY** immediately to:

- Stop using the unit by closing the red tap (stop the water flowing through the unit).
- Switch the keys in off position (press the extremities of buttons marked with 0).
- Switch off the unit from mains by:
  - Pulling out the socket of the power cord for models E41 and E42;
  - Switch off the additional interrupter for models E71 and E72;
- Call the closest authorized service base.

In order to keep unit quality of operation in areas with high limestone content in waters, we recommend at least once yearly to clean the accumulated lime deposits from the heating element. It may be performed only by specialists from authorized services because it requires dismantling the unit. This service is part of the manufacturer warranty liabilities.

In case of any possibility of temperatures dropping below zero in the premises where the water heater is installed, the water must be drained off the unit. In order to drain off completely the water dismantle the water heater from the mixing tap while having stopped water supply, and keep the unit pipes for a certain period of time in vertical position while waiting for full drainage of water from the unit.

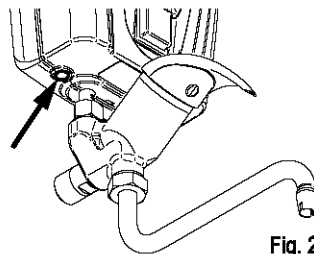


Fig. 2

**WARNING!** When draining the water from the unit take all necessary precautions to prevent any damages caused by drained water.

Where from the draining pipe comes out no water call the closest authorized service in order to remove the clogging particles (most frequently limestone).

## IMPORTANT RULES

1. The water heater is intended for domestic use only in households and serves to heat water from the common water supply system with content and parameters within the scope defined in corresponding standards and legislation on the quality of water.
2. The water heater must be installed and operated in accordance with the present booklet only in premises where there is no chance temperatures to drop below zero, with normal fire protection and in conditions preventing any water inflow within the unit. Failure to comply shall cause unit default and violation of warranty requirements, thus canceling warranty liabilities of producer or dealer.
3. **WARNING!** This appliance is not intended for use by persons (including children) with reduced physical, sensory or mental capabilities, or lack of experience and knowledge, unless they have been given supervision or instructions concerning use of the appliance by a person responsible for their safety! Children should be supervised to ensure that they do not play with the appliance!
4. When connecting the water heater to the electric power installation it is **MANDATORY** to connect in correct way the neutral and protective cable wires to the premise network! Failure to comply with this requirement shall impair the device safety and it is forbidden to use it in such way.
5. The water heater connection to the water supply and power supply networks and their functionality tests must be performed only by qualified person. It shall certainly allow you to be sure of implementation of all requirements for installation. The water heater connections and functionality tests are not warranty liabilities of manufacturer or seller and are not subject to warranty service.
6. Qualified persons in the meaning of present instructions booklet are the persons employed by the service offices included in the annexed list, who have passed training and are in possession of a certificate from manufacturer, as well as representatives of companies with similar business.
7. **WARNING!** In case of any risk of temperatures dropping below 0°C in the area where the unit is installed, it is compulsory to drain off the water from the unit water tank – please refer to the previous section Maintenance and preventive works.
8. **WARNING!** Never use when the slightest doubt of water within being frozen exists!
9. In case of damage of the power cord and/or the socket of models E41 and E42, and of the power cord of models E71 and E72 call the closet authorized service as the power cord must be replaced by the manufacturer or his representative in order to avoid any risk of injuries.

## WARRANTY AND WARRANTY TERMS AND CONDITIONS

The warranty period shall be defined by the dealer and shall be valid only for the country territory.

The warranty shall be enforced only where the unit is:

- Installed in accordance with the present booklet for installation and use;
- Used only on purpose and in accordance with the present booklet for installation and use.

The warranty covers free of charge repair of all manufacturer defaults which may arise during the warranty period.

The repair shall take place by dealer or manufacturer authorized service personnel.

The warranty shall be void for defaults caused by:

- Incorrect transportation;
- Poor storage;
- Misuse;
- Water parameters outside the scope defined in the European standards and legislation on the quality of water, namely with chlorides content below 250 mg/l and conductivity up to 2000 µS/cm;

- Use of mains with higher voltage than the one indicated for the unit;
- Water tank deformation due to water freezing within it;
- Natural disasters or other force majeure circumstances;
- Failure to comply with the instructions for installation and use;
- In cases where the unit has been repaired or attempt for repair has been made by an unauthorized person.

In all listed above cases the default shall be repaired against a fee.

**COMPLIANCE WITH THE REQUIREMENTS OF THIS INSTRUCTION MANUAL IS A PREREQUISITE FOR SAFE OPERATION OF YOUR PURCHASED PRODUCT AND IS ONE OF THE WARRANTY CONDITIONS.**

**IT IS ABSOLUTELY PROHIBITED TO THE USER OR ANY AUTHORIZED BY HIM PERSON TO UNDERTAKE ANY CHANGES IN THE PRODUCT DESIGN AND STRUCTURE. FINDINGS OF SUCH ACTIONS SHALL AUTOMATICALLY TERMINATE THE MANUFACTURER OR DEALER WARRANTY LIABILITIES.**

**IN CASE OF NECESSITY FOR SERVICE SEEK ONLY MANUFACTURER AUTHORIZED SERVICE COMPANIES LISTED IN THE ANNEXED FORM.**

**THE MANUFACTURER PRESERVED HIS RIGHT TO STRUCTURAL CHANGES WITHOUT NOTICE WHERE SUCH SHALL NOT AFFECT PRODUCT SAFETY.**