

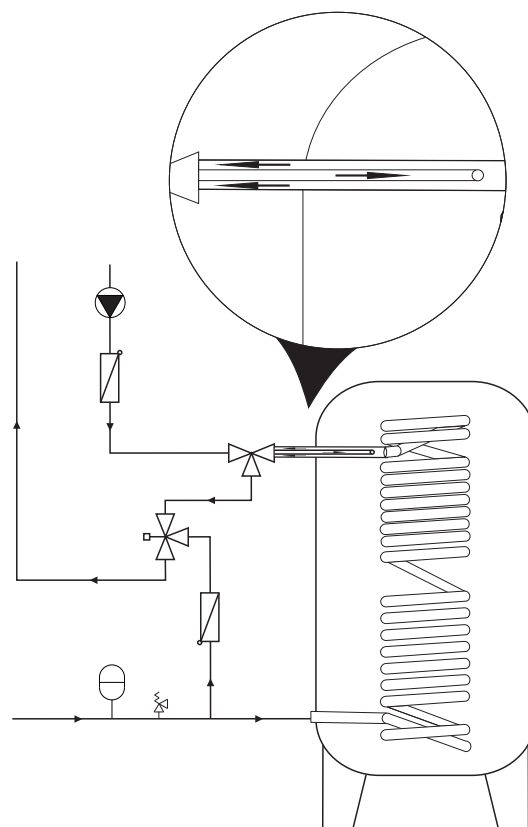
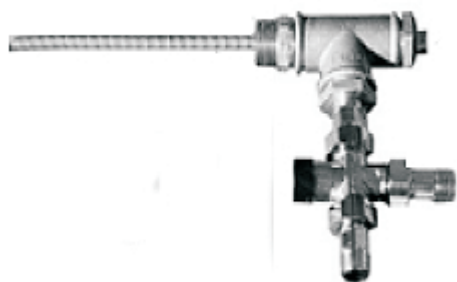
Circulation set of domestic water

Application:

The device is intended for arrangements of domestic water with the hygienic container with the coil stainless steel equipped with the circulation pump. System contains valve mixing with the possibility of set the temperature.

Technical data:

Max. temp.:	90°C
Max. work pressure:	10 bar
Max. pressure differ.:	3 bar
Range regulation.:	35 to 60°C
Connection:	3/4" GZ
Connection - circulation:	1/2" GZ
Connection:	1" GZ
Material:	brass and stainless steel



Work and service:

In the normal terms of property devices will be stored. However it is possible in order to exchange the thermal element through the leading part of the valve without the need for disassembly of the valve. During work with cold water a thermal element will be turned off.

Assembly:

Is necessary it previously to rinse before the accession to the assembly of circulating system. Circulating system is connected immediately to hot water from the container. During the assembly of the circulatory set one should follow applicable regulations, norms and guidelines.

The graph of the pressure losses:

The losses of pressure between hot water and mixed water is measured in the temperature 65°C, the temperature of hot water: 80°C, the temperature of cold water: 10°C.

