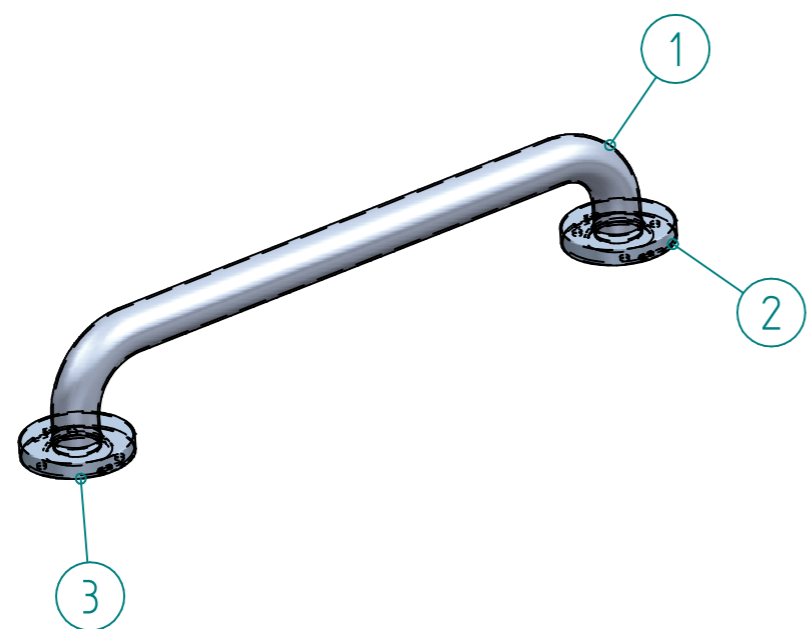
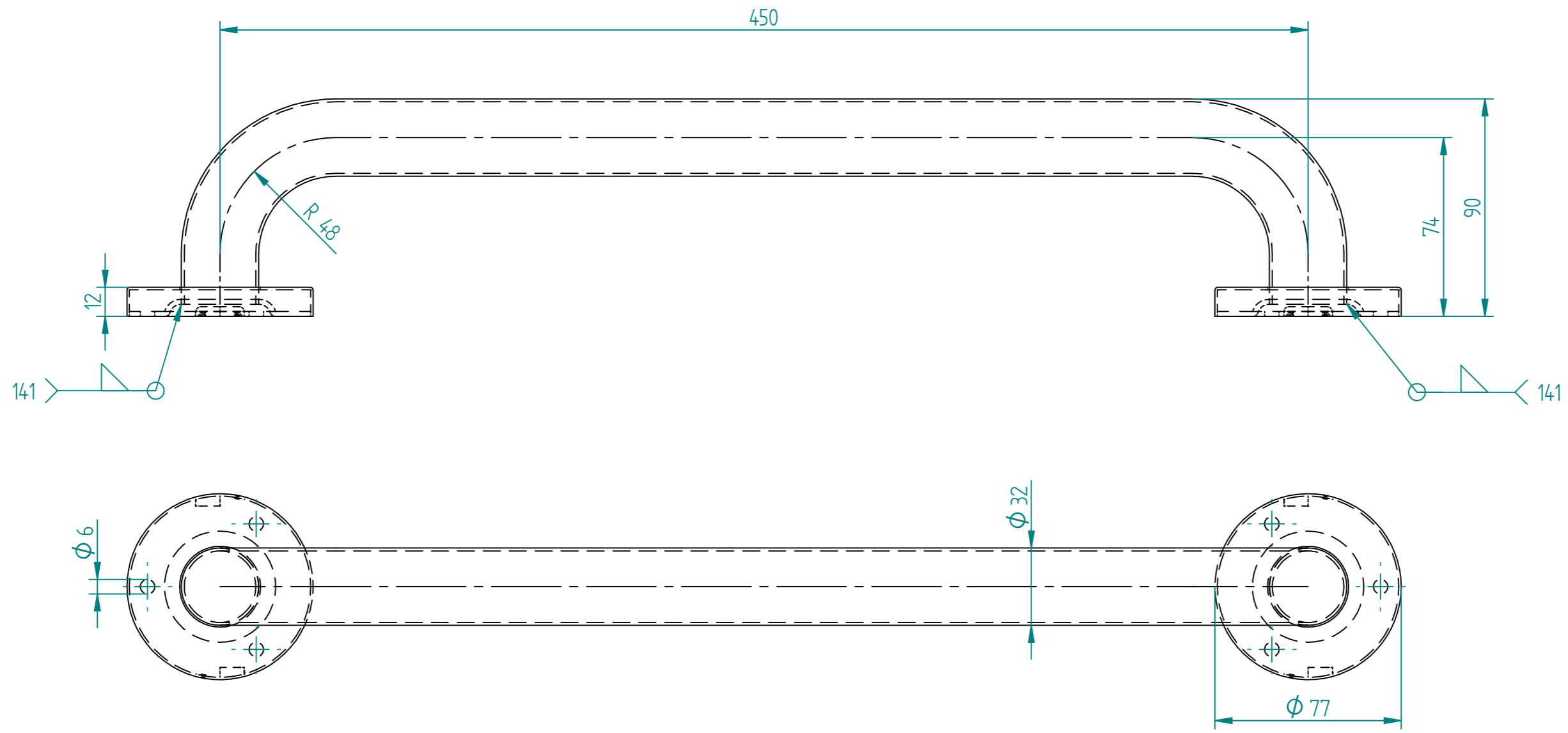


Lehnen GmbH reserves all rights regarding patents, utility models, design models or applications for such rights. Any copying, distribution, use or disclosure of all or part of this document or all or part of its content is strictly prohibited, unless authorized by the prior written explicit consent of Lehnen GmbH in each case. Any breach of these restrictions entitles Lehnen GmbH to full indemnification.



ser. No.	Quantity	Description	Drawing Number	Material
1	1	tube 32	701 006 20	ANSI 304
2	2	flange	704 000 37	ANSI 304
3	2	cover cap	704 000 38	ANSI 304

state		type of change		date	name	Scale: 1:2 (l)	weight: 0,597 kg
		general toleranz DIN ISO 2768-mH	edge of workpiece DIN ISO 13715	Edit. 28.11.2013	kleina	material: feedstock: surface polished	description: <b>handrail</b>
				Audit.			
				Norm.		drawing number	index page / of
Das Urheberrecht an dieser Zeichnung verbleibt der Firma Lehnen. Nicht genehmigte Verwendung ist strafbar und macht schadenersatzpflichtig. Alle Daten unterstehen dem Schutzrecht nach DIN 34 bzw. ISO 16016				drawing number <b>40 004 000</b>		index page / of 1 / 1	
				(subst.f.): (subst.d.):		filename 40_004_000_Handrail_450	