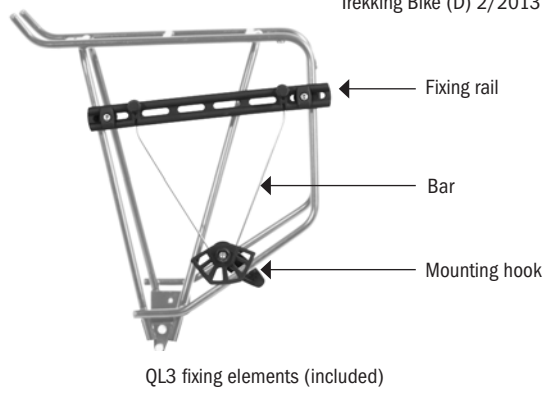
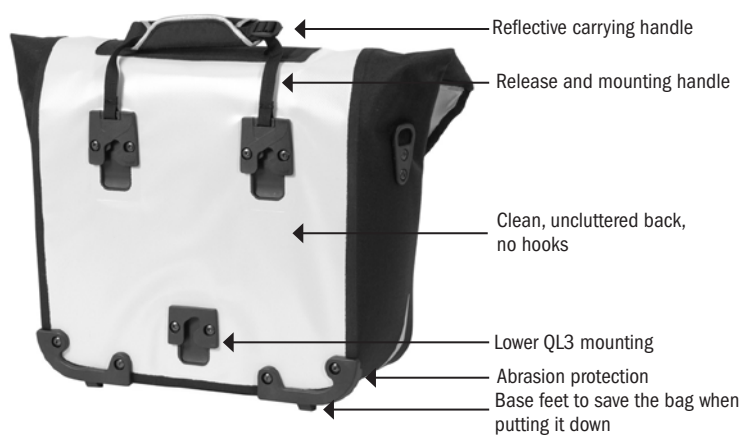
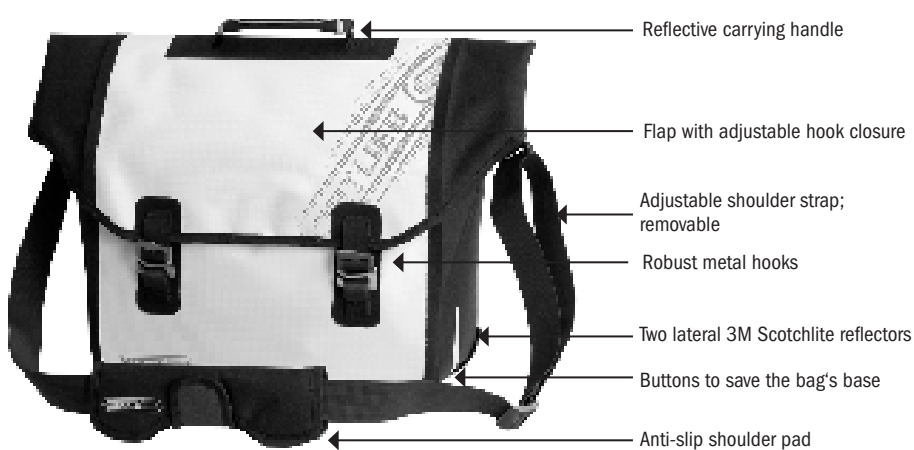


DOWNTOWN QL3 BLACK'N WHITE

Bike briefcase with QL3 system and flap closure



Height cm/in.	Width cm/in.	Depth cm/in.	Vol. l/cu.in.	Weight g/oz.
36/14.2	36/14.2	14/5.5	18/1098	1550/54

- Waterproof briefcase (single bag) with flap closure and QL3 system in the colour combination black/black or white/black
- Large ORTLIEB logo print
- QL3 system ensures plane rear side without protruding hooks
- Material combination of PVC-free PD62 and PS60 (PU)
- Single-handed mounting and removal of the bag
- Mounting of fixing components on rack
- Flat fixing elements ensure plane reverse side of bag
- Height and angle of bag individually adjustable
- Lower mounting hook rotatable for secure fixing
- Reflective ORTLIEB logo on front
- Size ideal for 2 large office files or one file and a 13.3" or 15.4" laptop (notebook sleeves available as optional accessories)
- Inner compartments with pockets, carrying handle
- Reflectors on both sides
- Wide, adjustable padded shoulder strap; removable
- Attention: Remove the shoulder strap or put it inside the bag before cycling

Bag comes with padded shoulder strap and QL3 mounting components (1 set)

PRODUCT-INFO

Please find information on IP symbols on our info sheet or at www.ortlieb.com/ip-symbols

DT_QL3_02_2014