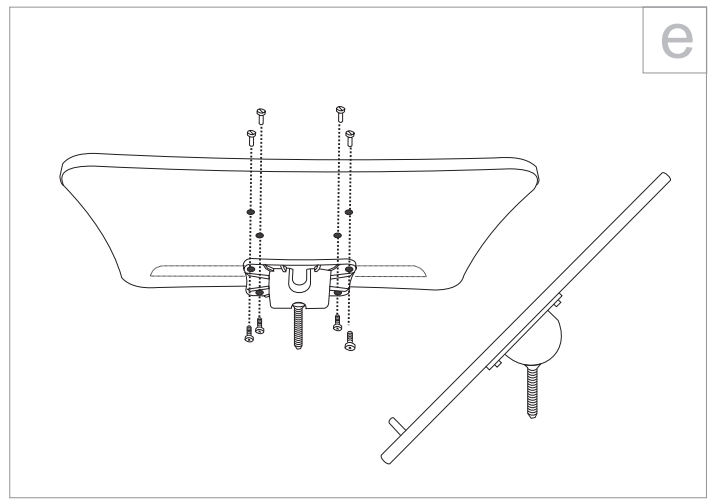
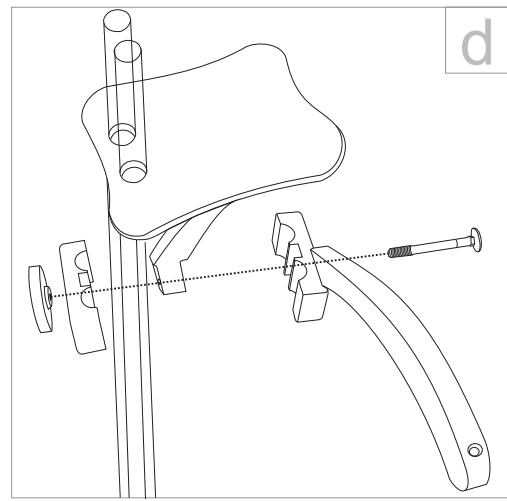
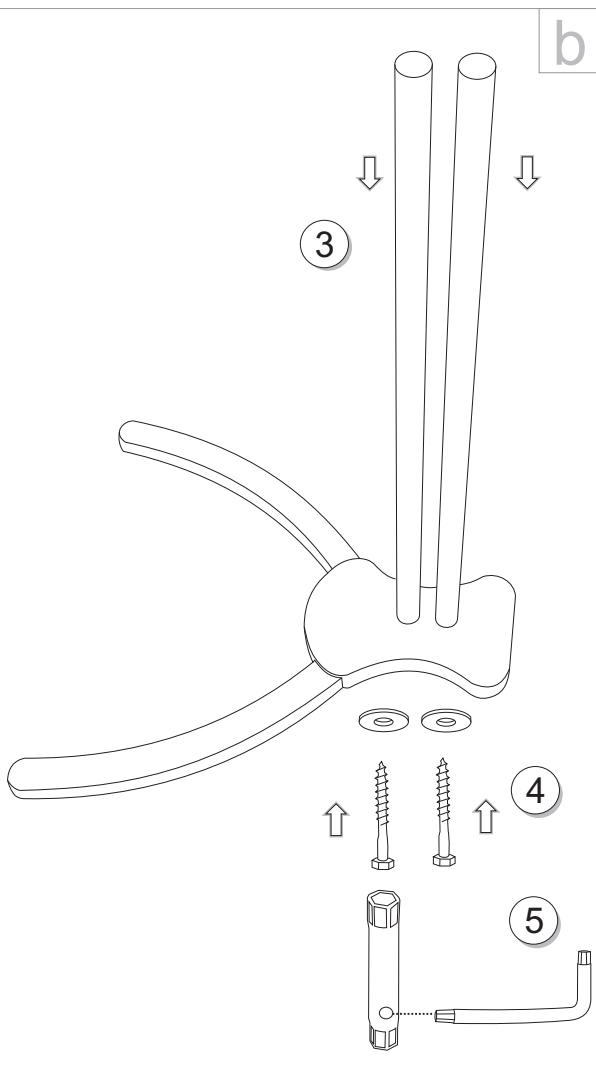


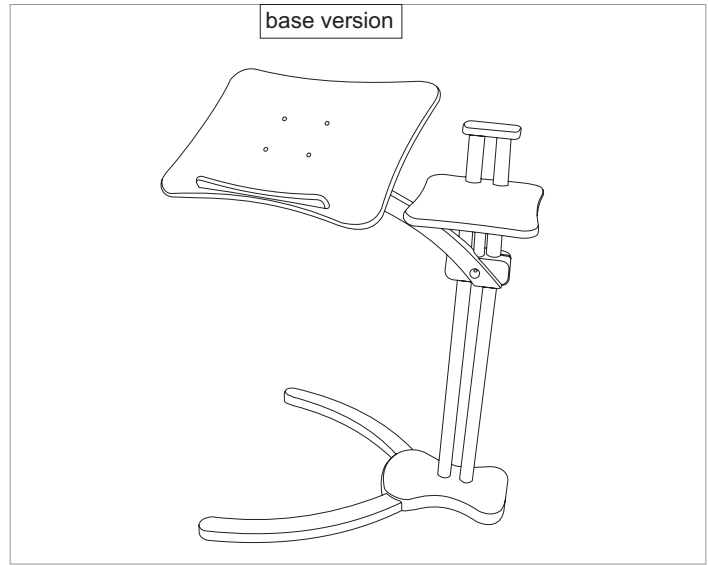
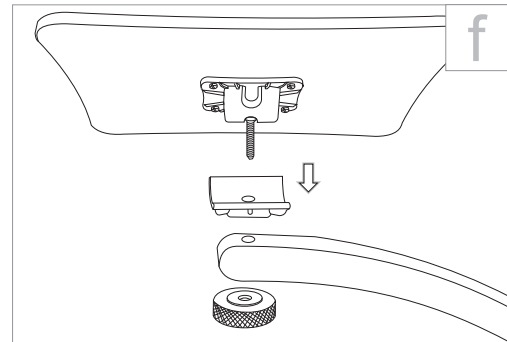
CoolFit rubber feet
 - use with low-profile and big laptop
 - allow better airflow and cooling
 - augment maximum inclination

As standard add-on you will find enclosed a couple of CoolFit adhesive rubber feet made from Technogel® to be used optionally on the dish supporting the laptop. CoolFit have various benefits: low-profile and big laptops are more stable, better airflow and cooling, augment maximum inclination maintaining a complete safety and stability that your laptop notebook needs.

If you don't need them on your Lounge-book you can use the CoolFit in the office attached to the laptop or as a gift.



CoolFit is made with **Technogel**, a unique "soft solid" material, that joins together the 3D deformation of a fluid and the memory' shape of a solid. It's a completely non-toxic and stable polyurethane substance (made without using oils or plasticizers) at first developed for the medical field.



WARNING!
 turning the dish could loosen the junction.
 Remember to tighten the dish knob each time!

If the laptop tends to wobble you can use the Coolfit to make it more stable (see the box on the top of the page)

