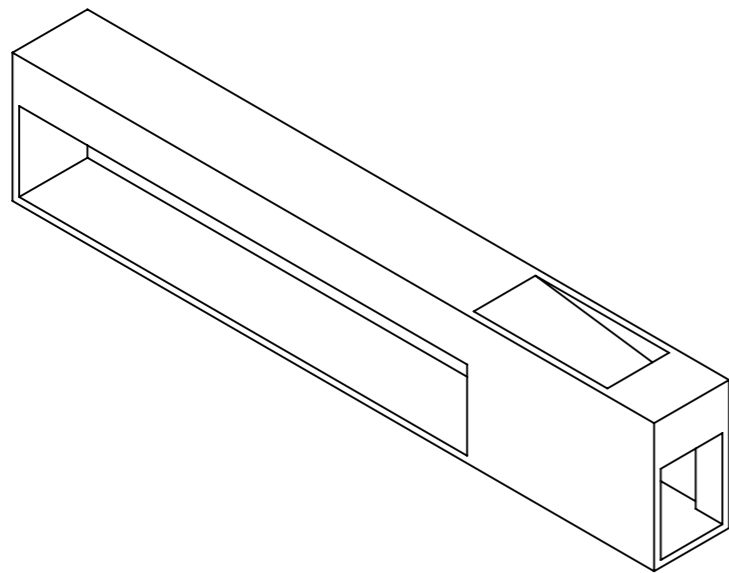
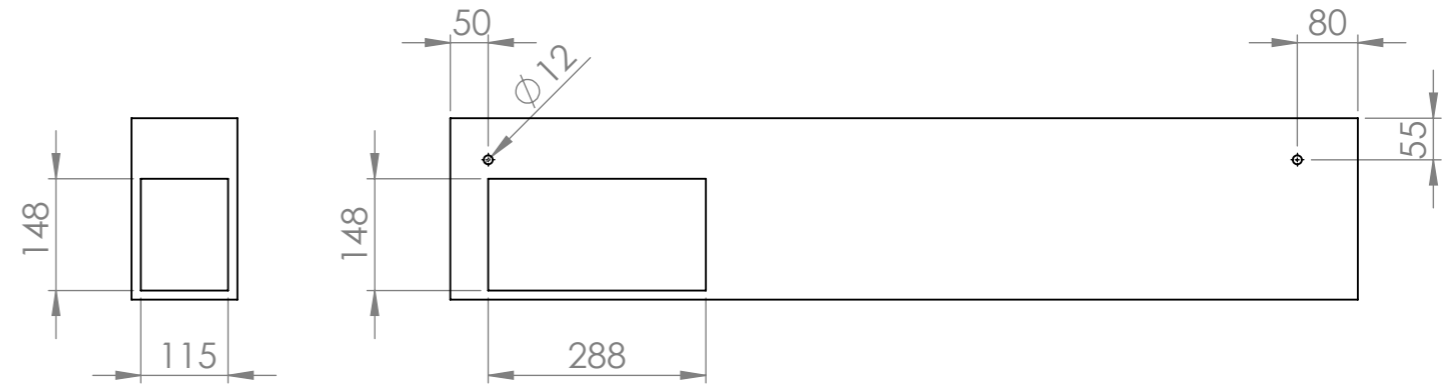
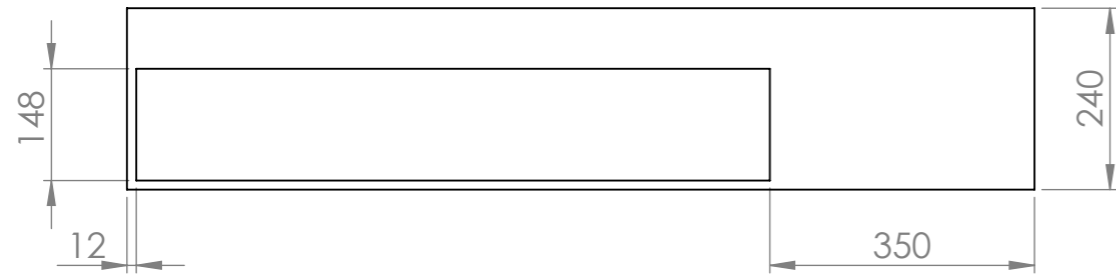


| |
|------|
| X |
| 500 |
| 600 |
| 700 |
| 800 |
| 900 |
| 1000 |
| 1100 |
| 1200 |



Also in mirrored version available

| | | | | | | |
|---|---------|-----------|------|-----------------------------------|----------------------|--------------|
| UNLESS OTHERWISE SPECIFIED: DIMENSIONS ARE IN MILLIMETERS SURFACE FINISH: TOLERANCES: LINEAR: ANGULAR: | FINISH: | | | DEBUR AND BREAK SHARP EDGES | DO NOT SCALE DRAWING | REVISION |
| | DRAWN | | | | TITLE: | |
| | NAME | SIGNATURE | DATE | | | |
| | CHK'D | | | | | |
| | APPV'D | | | | | |
| | MFG | | | | | |
| | Q.A | | | MATERIAL: | DWG NO. | Flaq |
| | | | | | | |
| | | | | WEIGHT: | SCALE:1:10 | A3 |
| | | | | | | SHEET 1 OF 1 |