

TECHNICAL DATA SHEET
Ref. 500021
 UNIPOLAR TERMOPLASTIC
 BATTERY MASTER SWITCH
 24VDC / 75A



GENERAL CHARACTERISTICS

Protection degree: IP67
 Ambient temperature: -40°C to +85°C
 Weight: 0.162 Kg approx.
 Contacts: Copper
 Connections: not polarized

FIELDS OF APPLICATION

Nautical, handling vehicles, industrial vehicles, agriculture machinery, industry...

POWER CIRCUIT

Connection: M10 terminals
 Tightening torque: 1.2 +/- 0.1 daN·m
 Type: D1 normally open
 Nominal current: 75 A
 Nominal voltage: 24 VDC
 Max. capacity: 200 A during 5 seconds

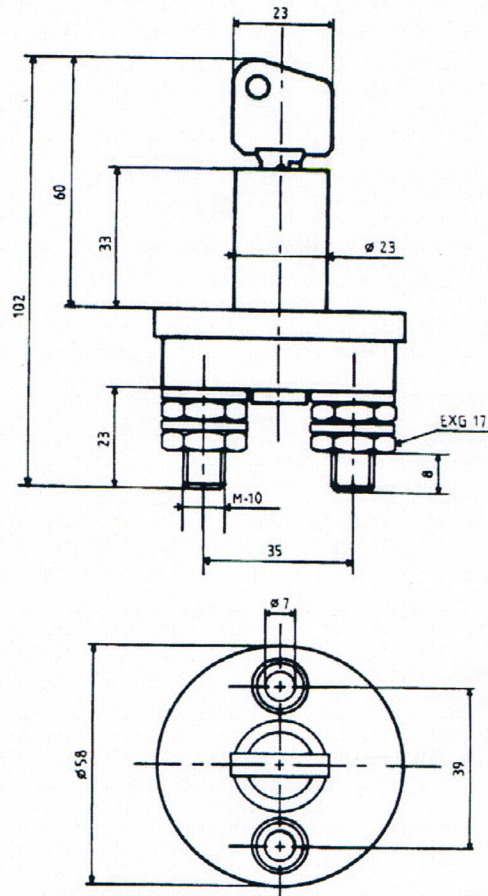
PARTICULAR CHARACTERISTICS:

Marine
 Security key control

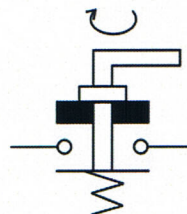
SPARE PARTS

PVC strap 520025

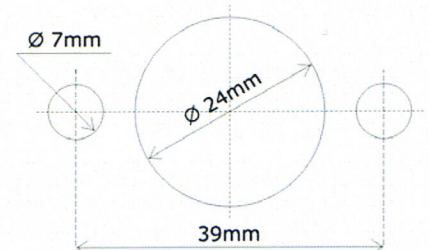
Size diagrams



Connection diagram



Fixing diagram



P.I. EL RAÍQUER, C/ EL RAÍQUER, S/N, NAVE Nº21-22
 08170 MONTORNÈS DEL VALLÈS
 BARCELONA (SPAIN)
 TEL. : + 34.93.544.44.80 - FAX : + 34.93.544.44.90
WWW.CORMAR.ES - INFO@CORMAR.ES