

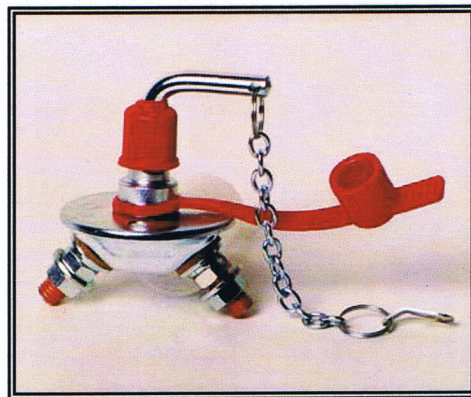
TECHNICAL DATA SHEET

Ref. 500006

Unipolar battery

MASTER SWITCH

24VDC / 150A



GENERAL CHARACTERISTICS

Protection degree: IP63
Ambient temperature: -40°C to +85°C
Weight: 0.264 Kg approx.
Contacts: Copper
Connections: not polarized

FIELDS OF APPLICATION

Handling vehicles, industrial vehicles,
agriculture machinery, industry...

POWER CIRCUIT

Connection: M10 terminals
Tightening torque: 1.5 +/- 0.1 daN·m
Type: D1 normally open
Nominal current: 150 A
Nominal voltage: 24 VDC
Max. capacity: 1000 A during 5 seconds

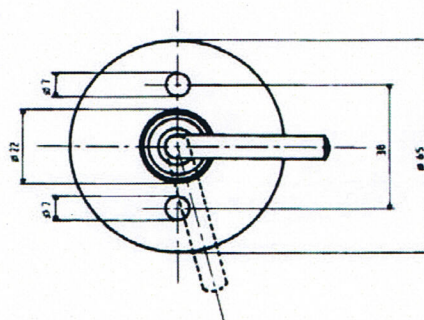
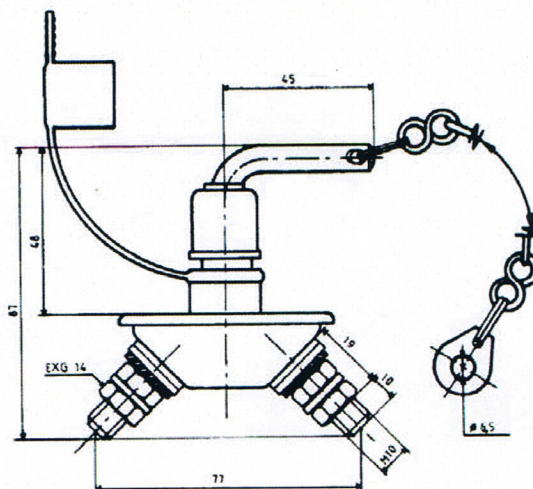
PARTICULAR CHARACTERISTICS:

Removable handle with PVC protector

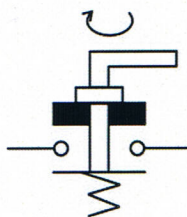
SPARE PARTS

Handle + chain + protector	520022
Handle	500030
Strap + PVC protection	520004

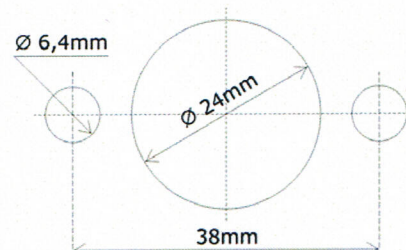
Size diagrams



Connection diagram



Fixing diagram



P.I. EL RAIQUER, C/ EL RAIQUER, s/n, NAVE N°21-22
08170 MONTORNÈS DEL VALLÈS
BARCELONA (SPAIN)
TEL. : + 34.93.544.44.80 - FAX : + 34.93.544.44.90
WWW.CORMAR.ES - info@cormar.es