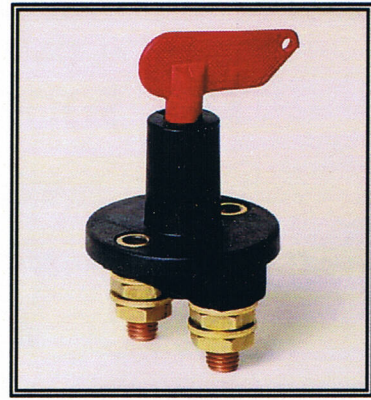


**TECHNICAL DATA SHEET**  
**Ref. 500000**  
**UNIPOLAR TERMOPLASTIC**  
**BATTERY MASTER SWITCH**  
**24VDC / 75A**



**GENERAL CHARACTERISTICS**

Protection degree: IP61  
 Ambient temperature: -40°C to +85°C  
 Weight: 0.152 Kg approx.  
 Contacts: Copper  
 Connections: not polarized

**FIELDS OF APPLICATION**

Handling vehicles, industrial vehicles,  
 agriculture machinery, industry...

**POWER CIRCUIT**

Connection: M10 terminals  
 Tightening torque: 1.2 +/- 0.1 daN·m  
 Type: D1 normally open  
 Nominal current: 75 A  
 Nominal voltage: 24 VDC  
 Max. capacity: 200 A during 5 seconds

**PARTICULAR CHARACTERISTICS:**

Removable handle in ON position

**VERSIONS**

With caps: 500002  
 With caps and chain: 500003  
 With M8 terminals: 500046

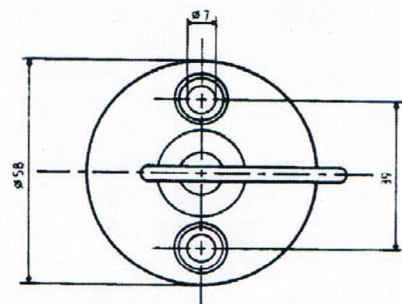
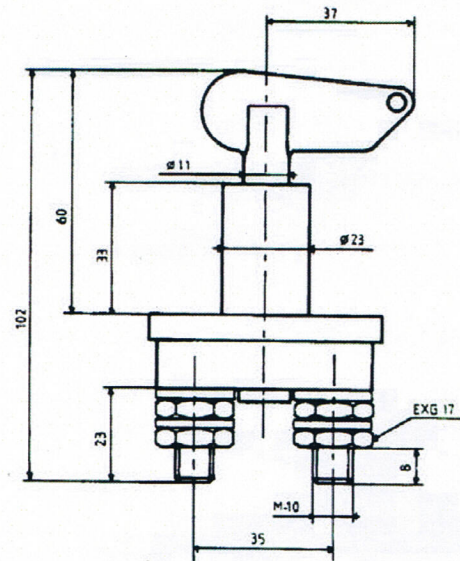
**SPARE PARTS**

Plastic Handle 500032  
 PVC strap 520025  
 Chain 520009

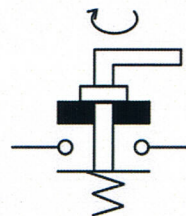


P.I. El Raiquer, C/ El Raiquer, s/n, NAVE Nº21-22  
 08170 MONTORNÈS DEL VALLÈS  
 BARCELONA (SPAIN)  
 Tel. : + 34.93.544.44.80 - Fax : + 34.93.544.44.90  
[WWW.CORMAR.ES](http://WWW.CORMAR.ES) - [info@cormar.es](mailto:info@cormar.es)

**Size diagrams**



**Connection diagram**



**Fixing diagram**

