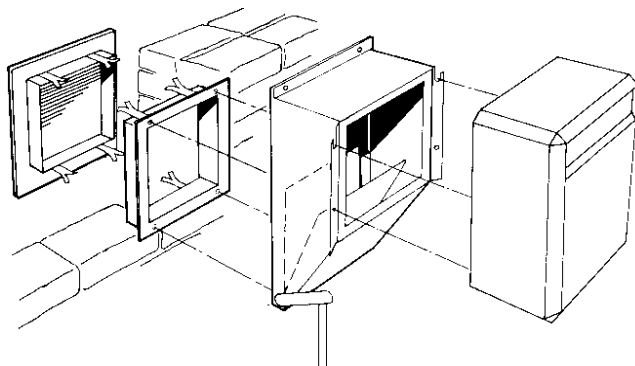




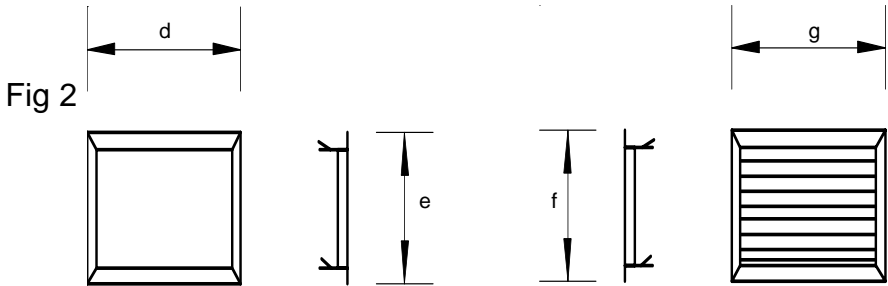
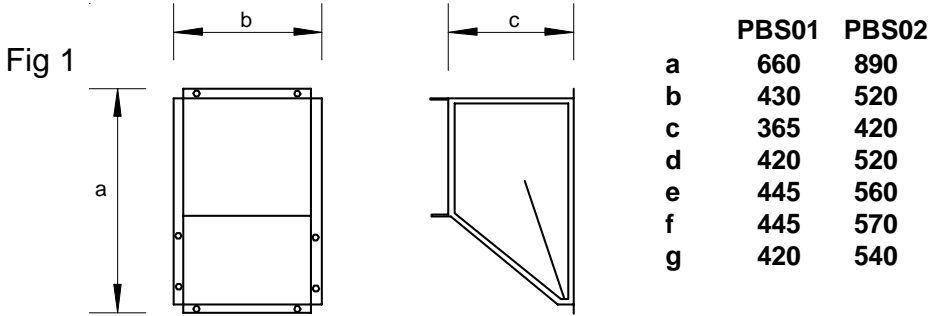
PBS

PBS 01, PBS 02 Mixing Cabinet for Panther Fan Heaters

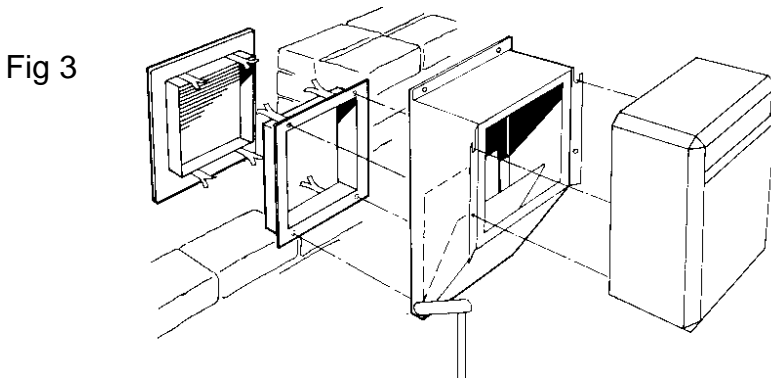


Ⓞ GB 3

PBS



The hole in the wall should be (width * height) PBS01 370 * 395 mm
 PBS02 480 * 510 mm



Instructions for Assembly and Maintenance

Application Area

Frico PBS (Mixing Cabinet) is designed to suit Panther Fan heaters. PBS 01 is used with Panther 06 - 15 and PBS 02 with Panther 20 and 30 kW. A masonry frame and outer wall grille is included with the Mixing cabinet. All details are lacquered the same colour as the Panther Fan heater.

Function

The air is taken from outside and from the room with help of the Panther Fan heater. The proportion of outdoor air is manually adjusted with a damper motor (not included). The mixing cabinet saves energy by mixing return air with outdoor air in appropriate proportions. The heat in the room is utilised at the same time that fresh air comes in.

Assembly

The masonry frame outer wall grille are built into the wall or screwed onto the wall. For actual dimensions see sketch 1. The hole in the wall should be 370 * 395 mm for PBS01 and 480 * 510 mm for the PBS02. The mixing cabinet is thereafter assembled on the masonry frame with the fixed screws and is locked with four nuts (included) and washers, see sketch 3. The cabinet is also screwed onto the wall with four screws. There are two holes on the upper edge and two on the lower edge with diameter 7 mm. Fan heater Panther is screwed on to the mixing cabinet.

The control lever (accessory) consist of a fixture arm, a wall fixture, a ball and two adherent joints. A rod (not included) with diameter 8 mm is needed. The fixture arm is mounted on the mixing cabinet and on to that a joint is mounted. The rod is cut in appropriate length and mounted between the joints. The wall fixture is mounted where it can be reached and the joint and the ball are mounted on the wall fixture.

Adjustment of mixing cabinet

For best performance the damper setting should vary in accordance with the outdoor temperature. When it is cold outside a smaller proportion of outdoor air is used and when it is warmer a larger proportion is used. The fan heater and the mixing cabinet could also be used when it is warm outside to take in outdoor air without warming it. This can be useful in the summer time for cooling of rooms during the night.

Main office

Frico AB
Box 102
SE-433 22 Partille
Sweden

Tel: +46 31 336 86 00
Fax: +46 31 26 28 25
mailbox@frico.se
www.frico.se

Norway

Frico AS
PB 82 Alnabru
NO-0614 Oslo
Norway

Tel: +47 23 37 19 00
Fax: +47 23 37 19 10
mailbox@frico.no
www.frico.no

France

Frico SA
7, Rue de la Libération
FR-69270 Fontaines-sur-Saône
France

Tel: +33 4 72 42 99 42
Fax: +33 4 72 42 99 49
info@frico.fr
www.frico.fr

Spain

Frico representative office in Spain
C/ Cabeza de hierro, 39
ES-28880 Meco
Spain

Tel: +34 91 887 60 00
Fax: +34 91 887 60 00
mailbox@frico.com.es
www.frico.se

United Kingdom

Frico UK
Pharaoh House, Arnolde Close
Medway City Estate
UK-Rochester, Kent ME2 4SP
United Kingdom

Tel: +44 1634 735020
Fax: +44 1634 735019
info.uk@frico.se
www.frico.co.uk

Russia

Frico representative office in Russia
Lavrov per. 6
RU-109044 Moscow
Russia

Tel: +7 095 238 63 20
+7 095 676 44 48
Fax: +7 095 676 44 48
frico@trankm.ru
www.frico.se

China

Frico representative office in China
Room 420, European City, No. 285,
Luo Chuan Rd (E)
CN-Shanghai 200072
P.R. China

Tel: +86 21 62569900
Fax: +86 21 62554747
frico@sohu.com
www.frico.se

Switzerland

Gutekunst AG
Baselstrasse 22
CH-4144 Arlesheim
Switzerland

Tel: 061 706 96 26 (nat)
Fax: 061 706 96 20 (nat)
info@gutekunst-ag.ch
www.gutekunst-ag.ch

For latest updated information, see: www.frico.se

